



US00D564816S

(12) **United States Design Patent**  
**Snider**

(10) **Patent No.:** **US D564,816 S**  
(45) **Date of Patent:** **\*\* Mar. 25, 2008**

(54) **SHOWER CADDY WITH HEXAGONAL OPENINGS**

(75) Inventor: **Martin Snider**, New City, NY (US)

(73) Assignee: **MSA Products, Inc.**, Nyack, NY (US)

(\*\*) Term: **14 Years**

(21) Appl. No.: **29/285,970**

(22) Filed: **Apr. 18, 2007**

(51) **LOC (8) Cl.** ..... **23-02**

(52) **U.S. Cl.** ..... **D6/525**

(58) **Field of Classification Search** ..... D6/524,  
D6/525, 566, 536, 540; 211/13.1, 74, 71.01,  
211/86.01, 75, 88.01, 90.01, 90.03, 106, 119,  
211/126.1, 133.5, 181.1, 134  
See application file for complete search history.

(56) **References Cited**

U.S. PATENT DOCUMENTS

D351,750 S *	10/1994	Sweeney	.....	D6/525
D396,157 S *	7/1998	Hofman	.....	D6/525
D446,670 S *	8/2001	Emery et al.	.....	D6/525
6,520,351 B1 *	2/2003	Zadro	.....	211/119
D473,084 S *	4/2003	Suero, Jr.	.....	D6/525
D473,411 S *	4/2003	Walker	.....	D6/525
D477,947 S *	8/2003	Snell	.....	D6/525
D479,074 S *	9/2003	Snell	.....	D6/525

D489,207 S *	5/2004	Rosen	.....	D6/525
D498,102 S *	11/2004	Snell	.....	D6/525
D512,861 S *	12/2005	Rosen	.....	D6/525
D530,551 S *	10/2006	Snell	.....	D6/525
D530,948 S *	10/2006	Snell	.....	D6/525

\* cited by examiner

*Primary Examiner*—Brian N Vinson

(74) *Attorney, Agent, or Firm*—Gerald E. Hespos; Anthony J. Casella

(57) **CLAIM**

The ornamental design for a shower caddy with hexagonal openings, as shown and described.

**DESCRIPTION**

FIG. 1 is a perspective view of a shower caddy with hexagonal openings in accordance with my design;

FIG. 2 is a rear elevational view of the shower caddy with hexagonal openings of FIG. 1;

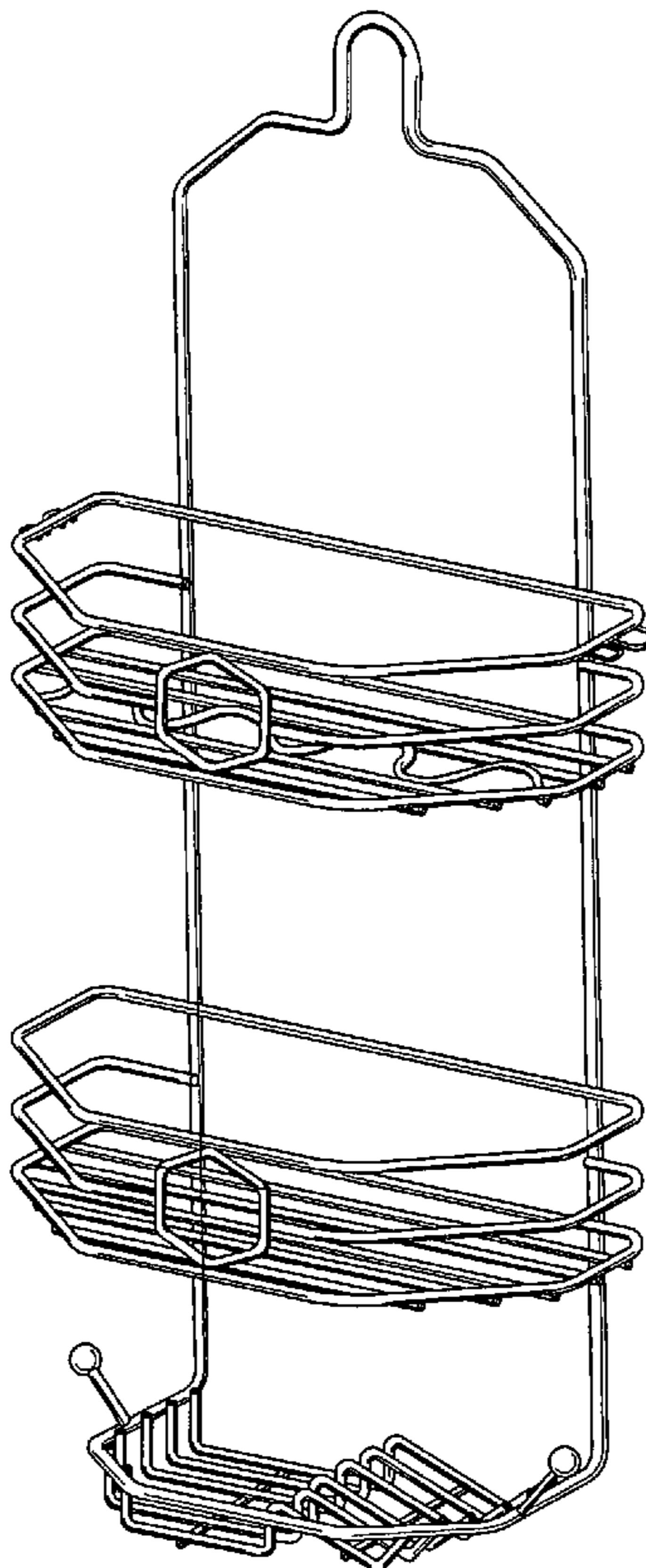
FIG. 3 is a front elevational view thereof;

FIG. 4 is a side elevational view thereof as viewed from the right side of FIG. 1, with the left side elevational view being substantially a mirror image thereof;

FIG. 5 is a top plan view thereof; and,

FIG. 6 is a bottom plan view thereof.

**1 Claim, 5 Drawing Sheets**



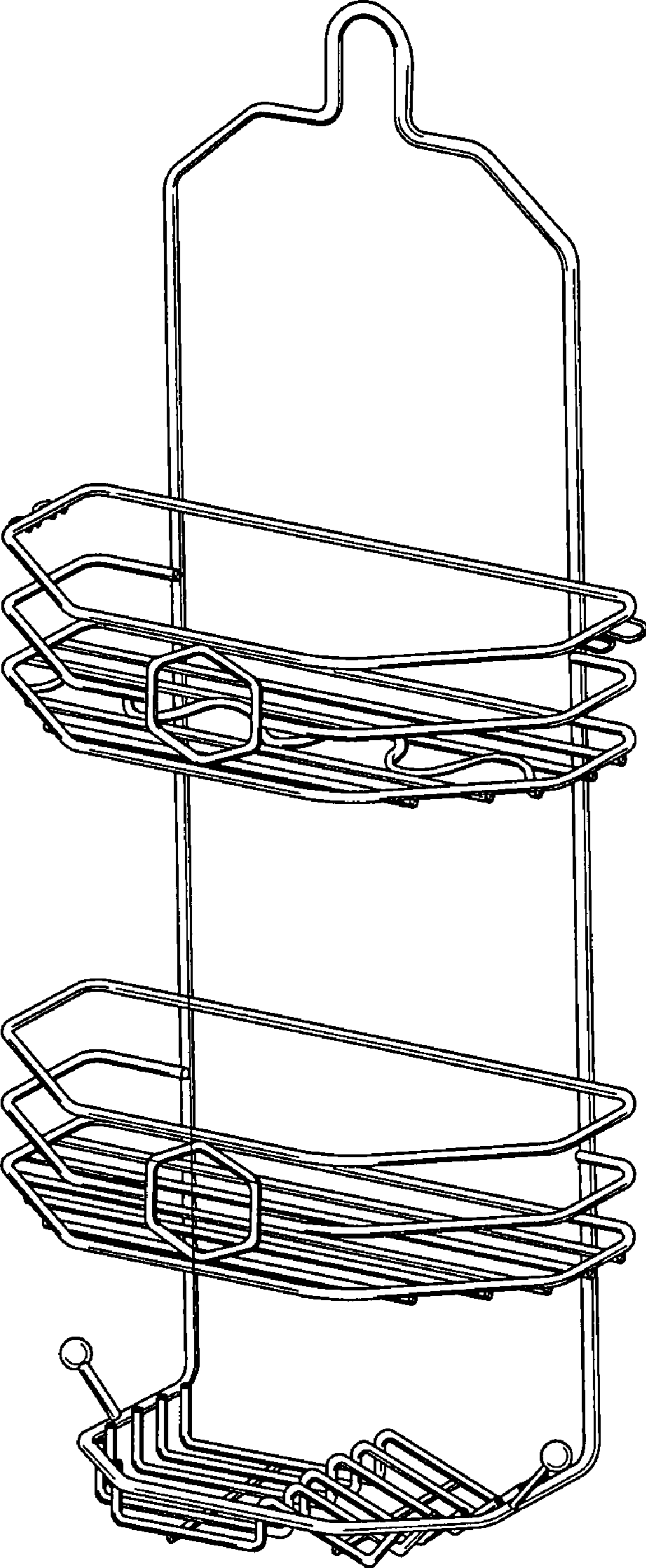
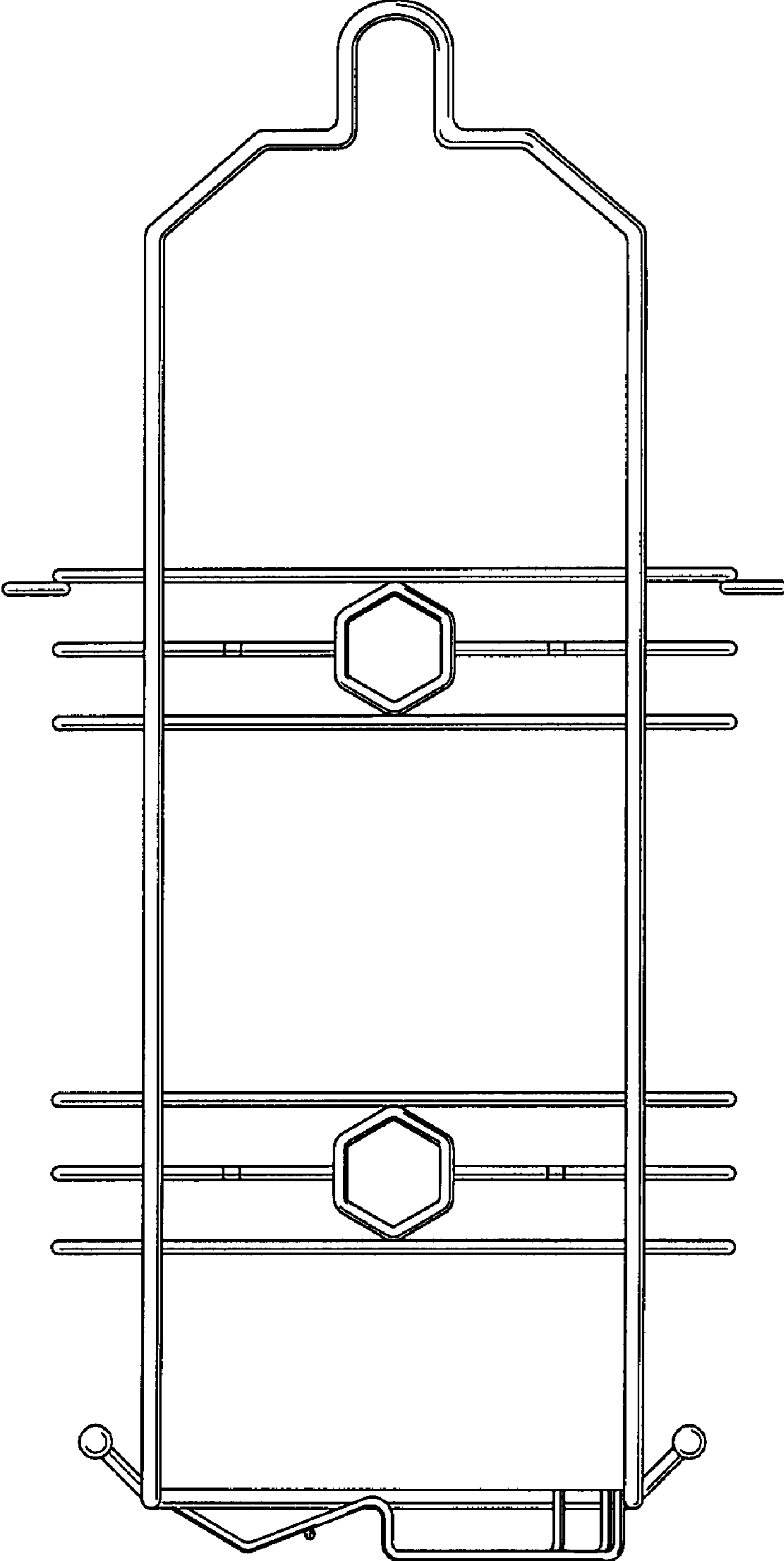
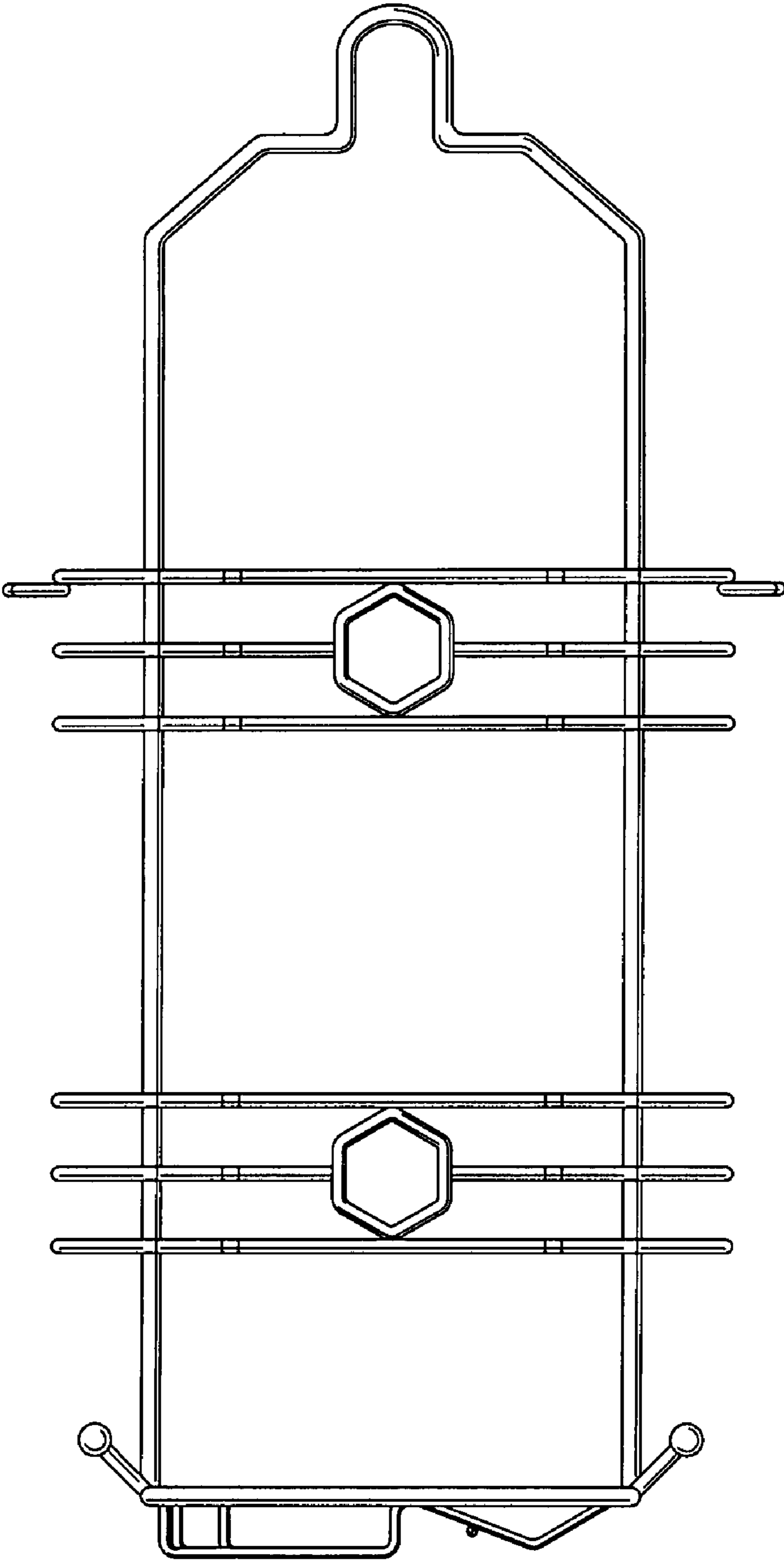


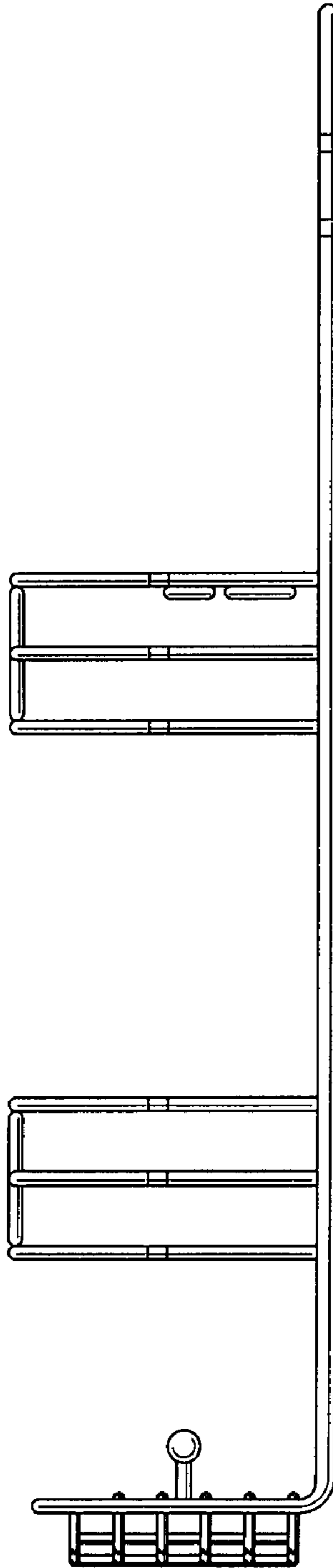
FIG. 1



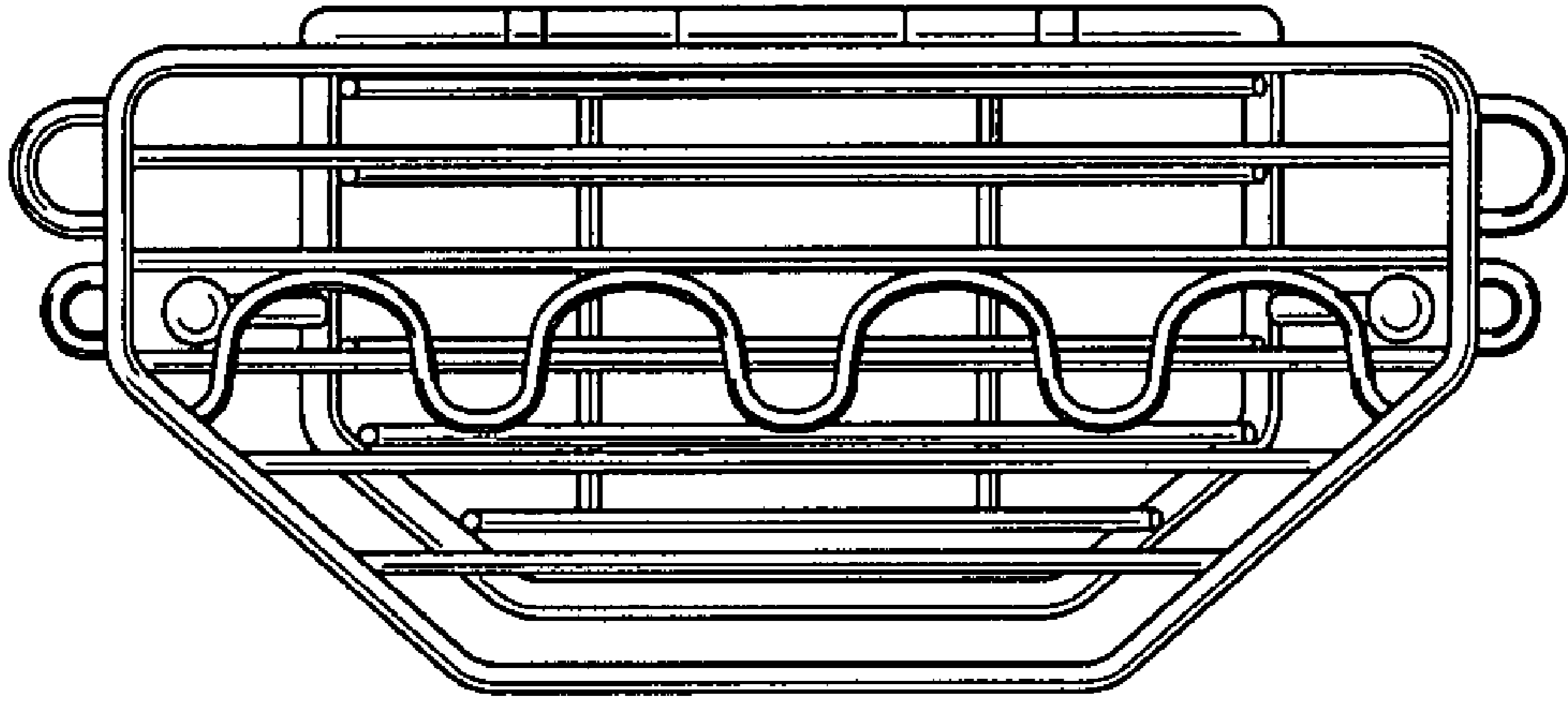
**FIG. 2**



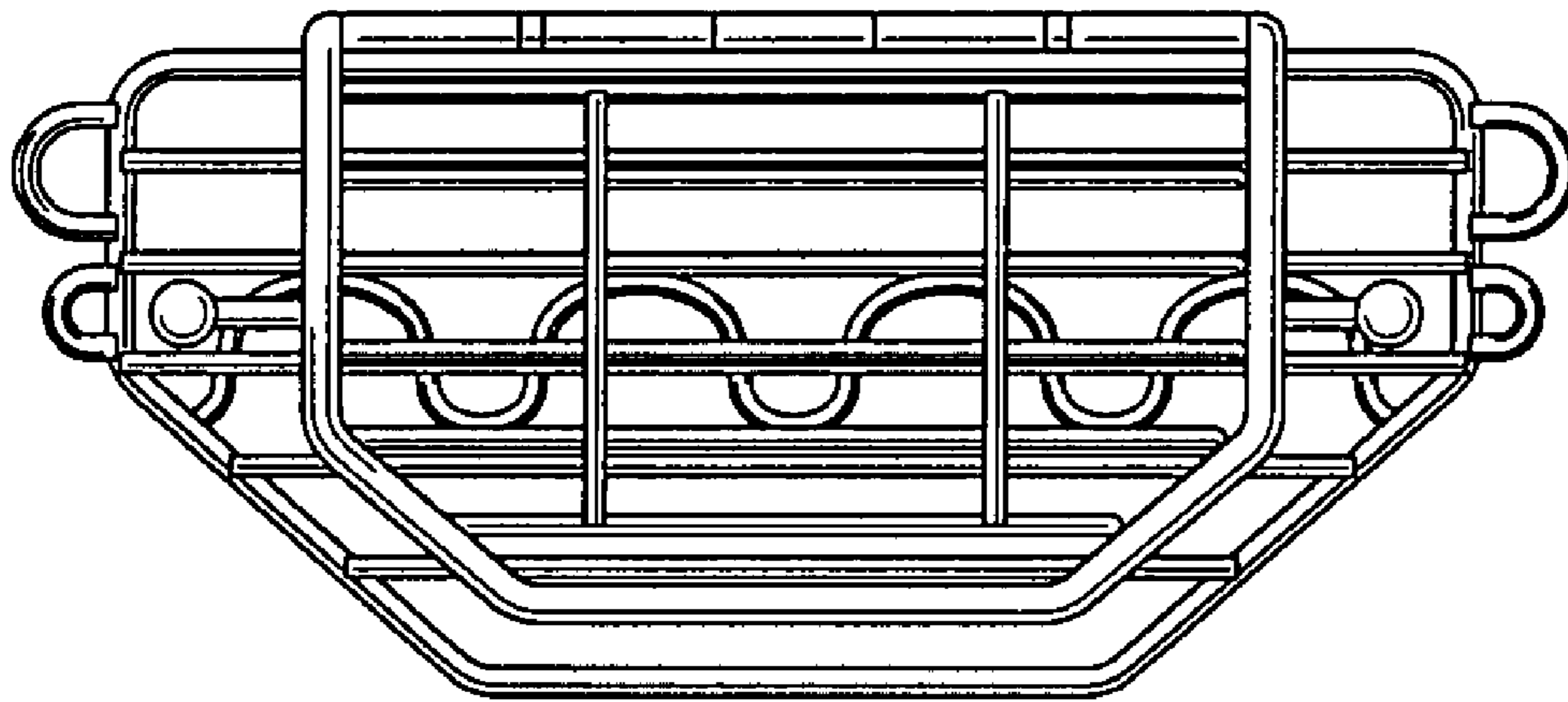
**FIG. 3**



**FIG. 4**



**FIG. 5**



**FIG. 6**