



US00D564814S

(12) **United States Design Patent**
Snider

(10) **Patent No.:** **US D564,814 S**
(45) **Date of Patent:** **** Mar. 25, 2008**

(54) **TOILET PAPER CADDY WITH HEXAGONAL DESIGN**

D525,812 S * 8/2006 Goodman et al. D6/520
D541,564 S * 5/2007 Snell D6/520
D542,581 S * 5/2007 Goodman et al. D6/520

(75) Inventor: **Martin Snider**, New York, NY (US)

* cited by examiner

(73) Assignee: **MSA Products, Inc.**, Nyack, NY (US)

Primary Examiner—Brian N Vinson

(**) Term: **14 Years**

(74) *Attorney, Agent, or Firm*—Gerald E. Hespos; Anthony J. Casella

(21) Appl. No.: **29/285,969**

(57) **CLAIM**

(22) Filed: **Apr. 18, 2007**

The ornamental design for a toilet paper caddy with hexagonal design, as shown and described.

(51) **LOC (8) Cl.** **20-02**

(52) **U.S. Cl.** **D6/520**

(58) **Field of Classification Search** D6/515-523,
D6/566, 567; D3/201, 304; 206/389, 391;
211/13.1, 86.01, 71.01, 181.1; 242/580,
242/309.1

DESCRIPTION

See application file for complete search history.

FIG. 1 is a perspective view of a toilet paper caddy with hexagonal design in accordance with my design;

FIG. 2 is a front elevational view of the toilet paper caddy with hexagonal design of FIG. 1;

FIG. 3 is a rear elevational view thereof;

FIG. 4 is a bottom plan view thereof;

FIG. 5 is a top plan view thereof; and,

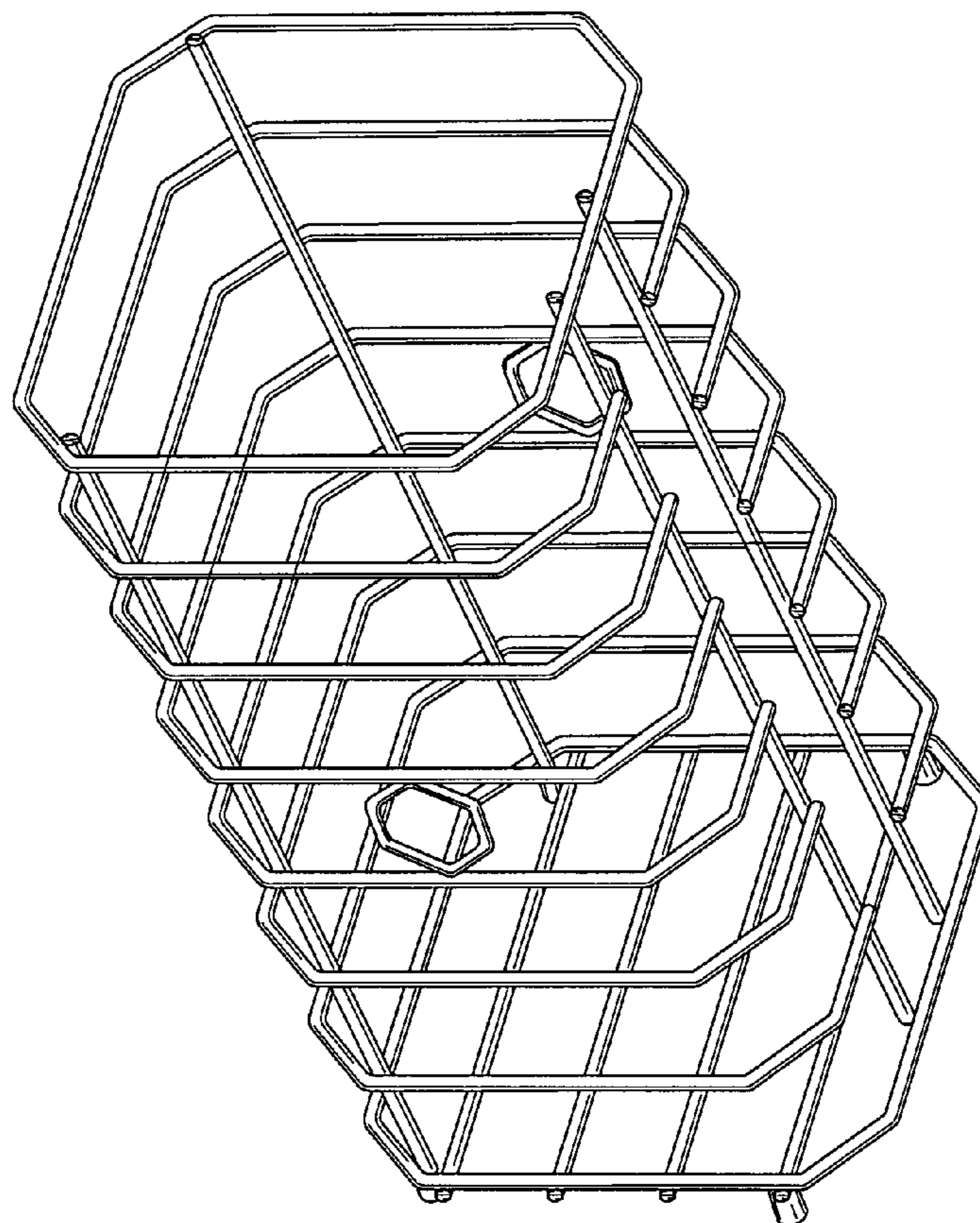
FIG. 6 is a side elevational view as viewed from the right side of FIG. 2, with the left side elevational view being a mirror image thereof.

(56) **References Cited**

U.S. PATENT DOCUMENTS

D335,411 S * 5/1993 Martens D6/520
D378,641 S * 4/1997 Beckenlehner et al. D6/520
D390,054 S * 2/1998 Goodman D6/522
D393,389 S * 4/1998 Thurston-Chartraw
et al. D6/523
D395,184 S * 6/1998 St-Pierre et al. D6/517

1 Claim, 5 Drawing Sheets



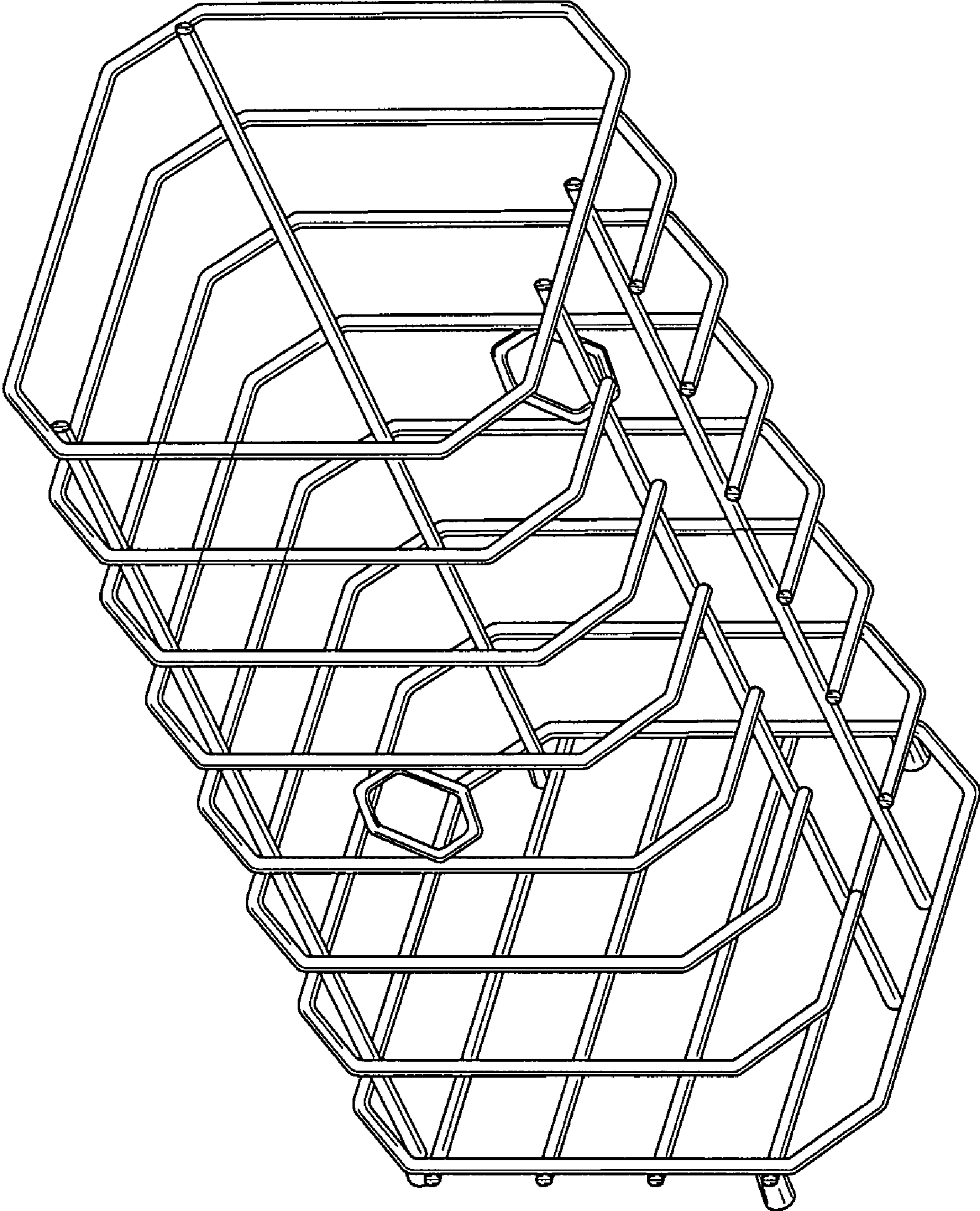


FIG. 1

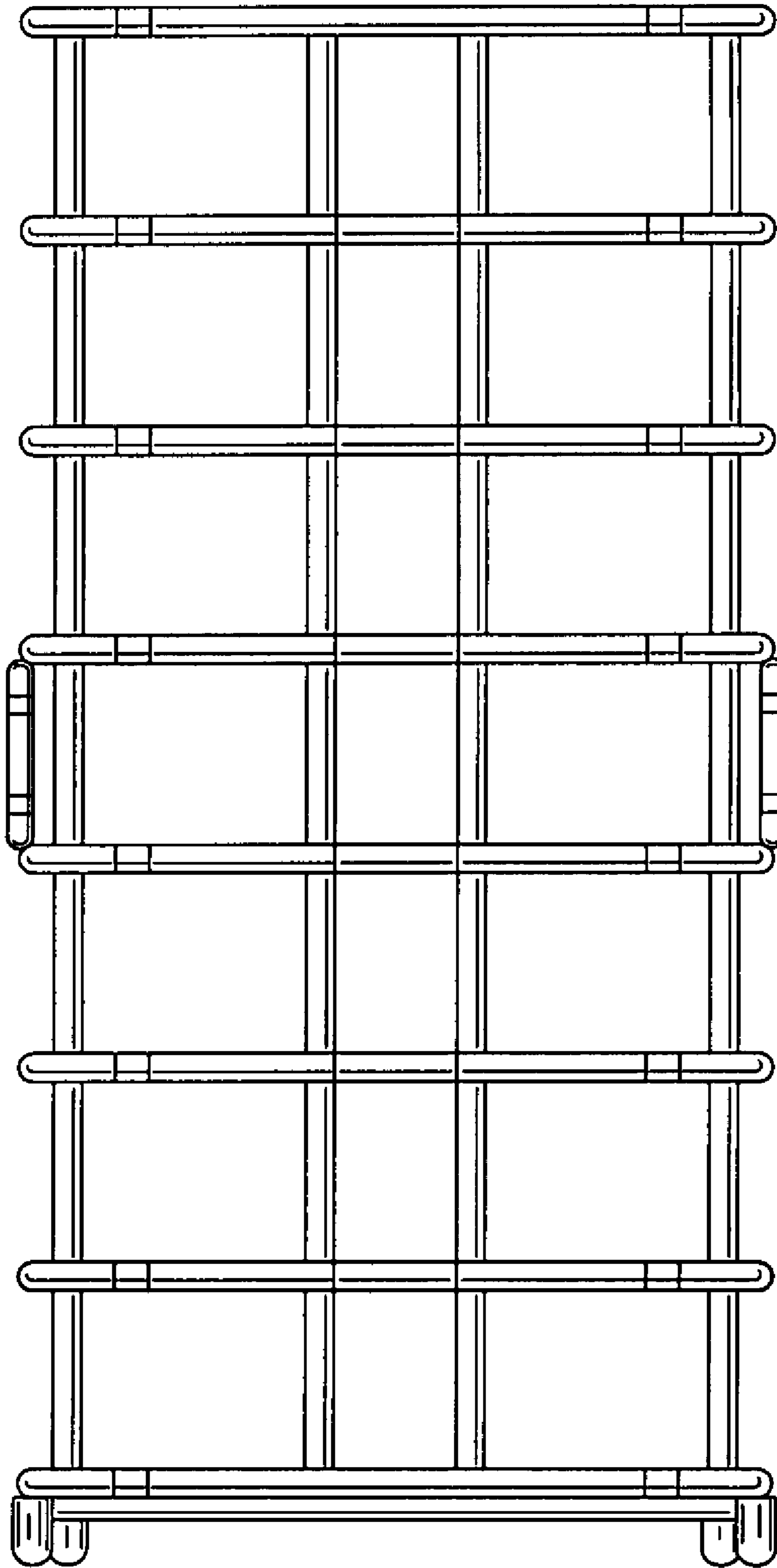


FIG. 2

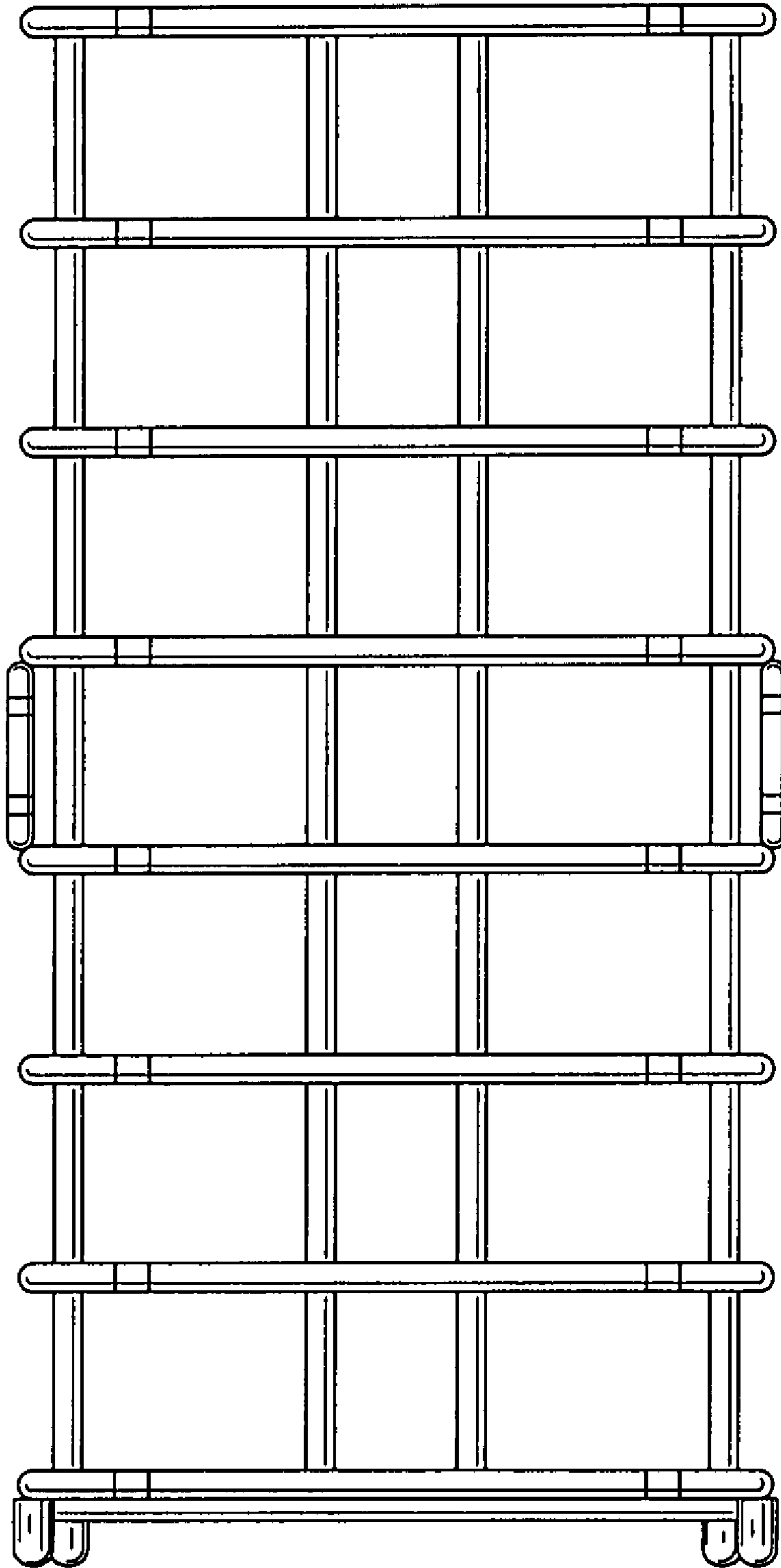


FIG. 3

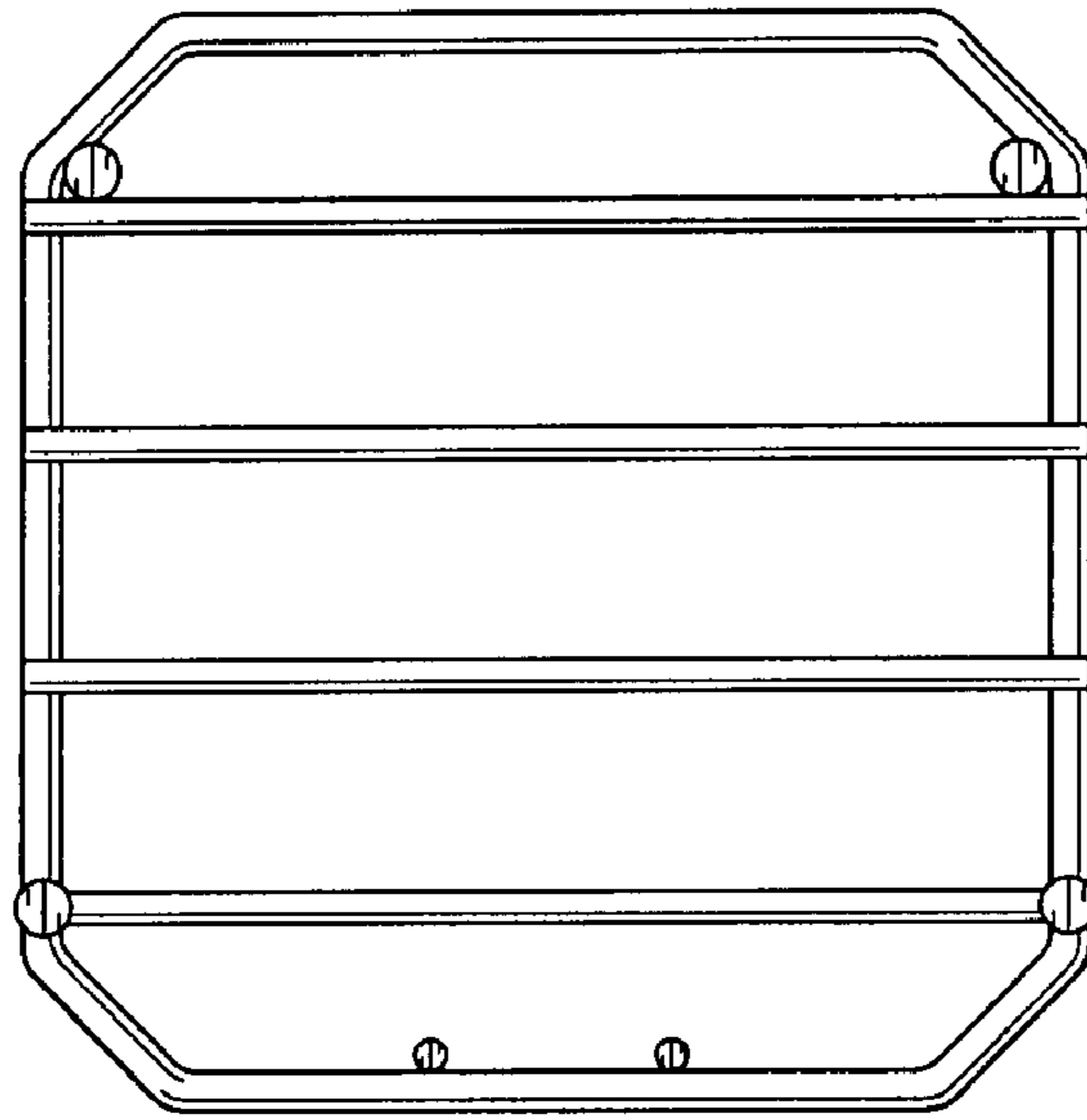


FIG. 4

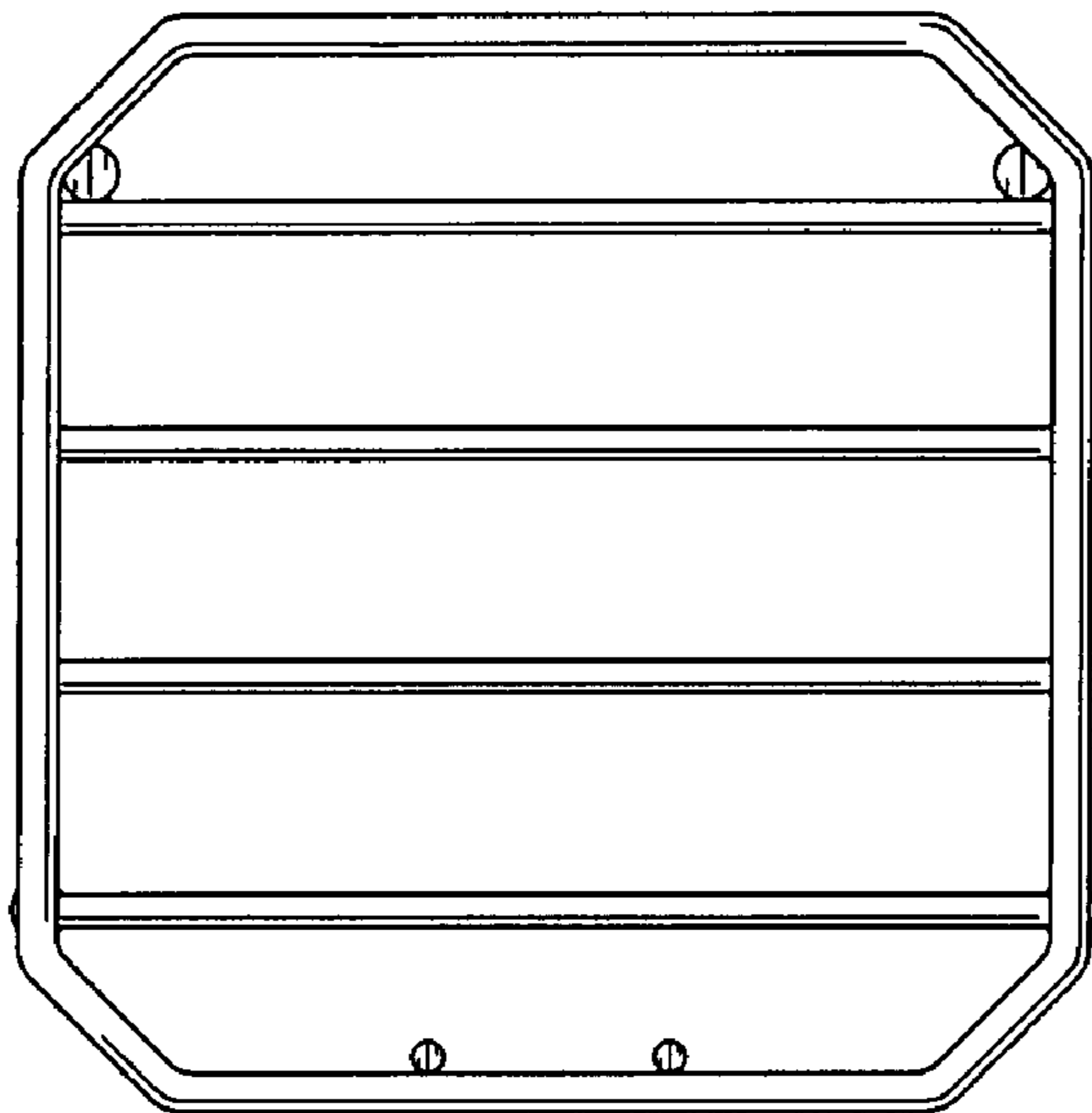


FIG. 5

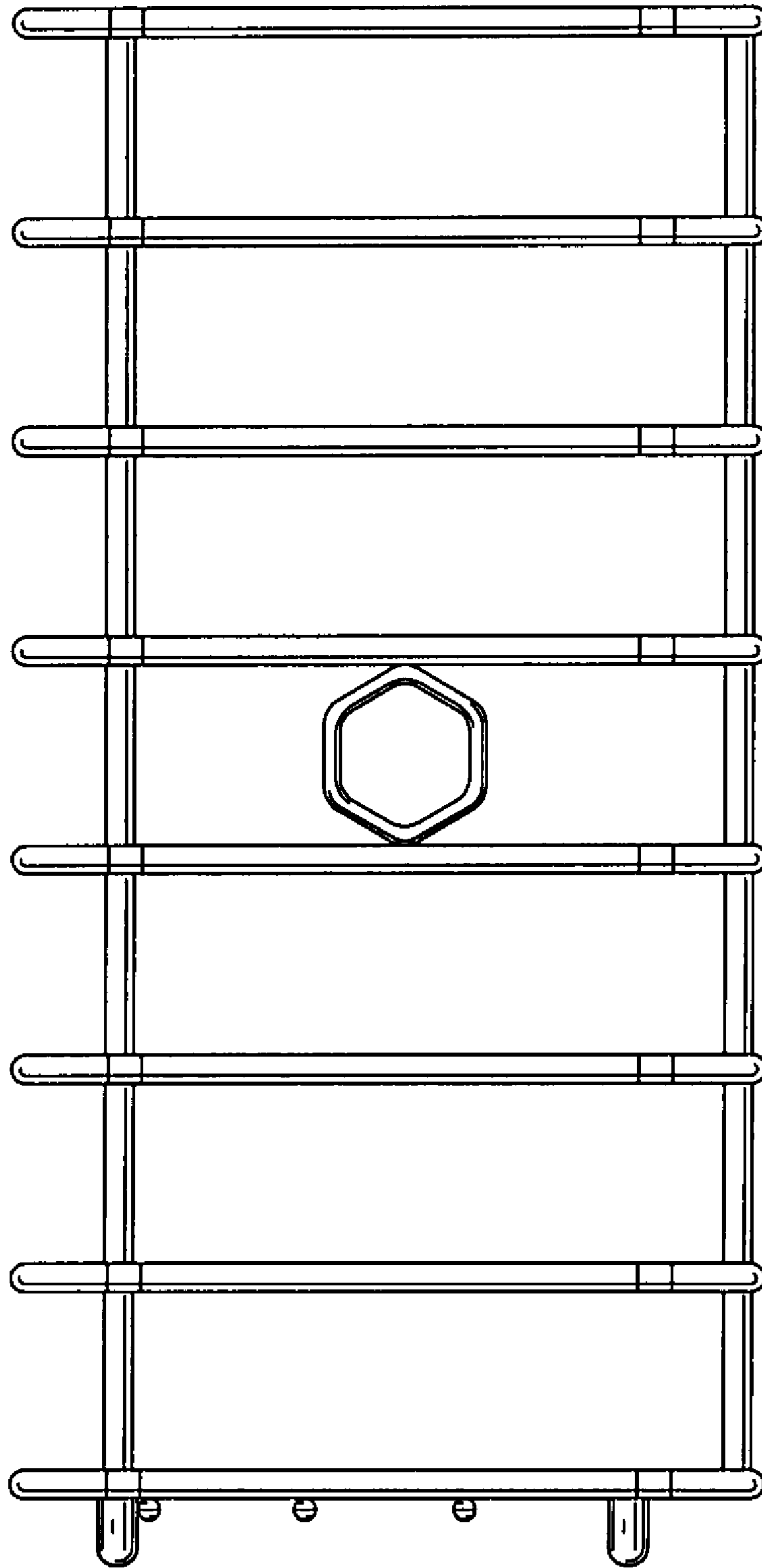


FIG. 6