



US00D564812S

(12) **United States Design Patent**
Tomic et al.

(10) **Patent No.: US D564,812 S**
(45) **Date of Patent: ** Mar. 25, 2008**

(54) **FACIAL TISSUE DISPENSER**

D379,569 S * 6/1997 Strickland et al. D6/518
D524,084 S * 7/2006 Wieser et al. D6/518
D546,603 S * 7/2007 Cittadino et al. D6/518

(75) Inventors: **Dejan Tomic**, Gothenburg (SE); **Kent Zeiron**, Gothenburg (SE)

(73) Assignee: **SCA Hygiene Products AB**, Gothenburg (SE)

* cited by examiner

Primary Examiner—Brian N Vinson
(74) *Attorney, Agent, or Firm*—Young & Thompson

(**) Term: **14 Years**

(21) Appl. No.: **29/274,182**

(57) **CLAIM**

(22) Filed: **Apr. 3, 2007**

The ornamental design for a facial tissue dispenser, as shown.

(30) **Foreign Application Priority Data**

Oct. 3, 2006 (EM) 000598701-0001/0005

DESCRIPTION

(51) **LOC (8) Cl.** **20-02**

(52) **U.S. Cl.** **D6/518**

(58) **Field of Classification Search** D6/515–523;
206/225, 233, 289, 391, 812, 824; 211/13,
211/451; 222/173, 180; 221/26, 33, 282–283;
248/309.1, 309.2, 905

See application file for complete search history.

FIG. 1 is a front perspective view of a facial tissue dispenser, showing our new design;

FIG. 2 is a top plan view thereof;

FIG. 3 is a view thereof from the top of FIG. 2;

FIG. 4 is a view thereof from the bottom of FIG. 2;

FIG. 5 is a bottom plan view thereof;

FIG. 6 is a view from the right of FIG. 5; and,

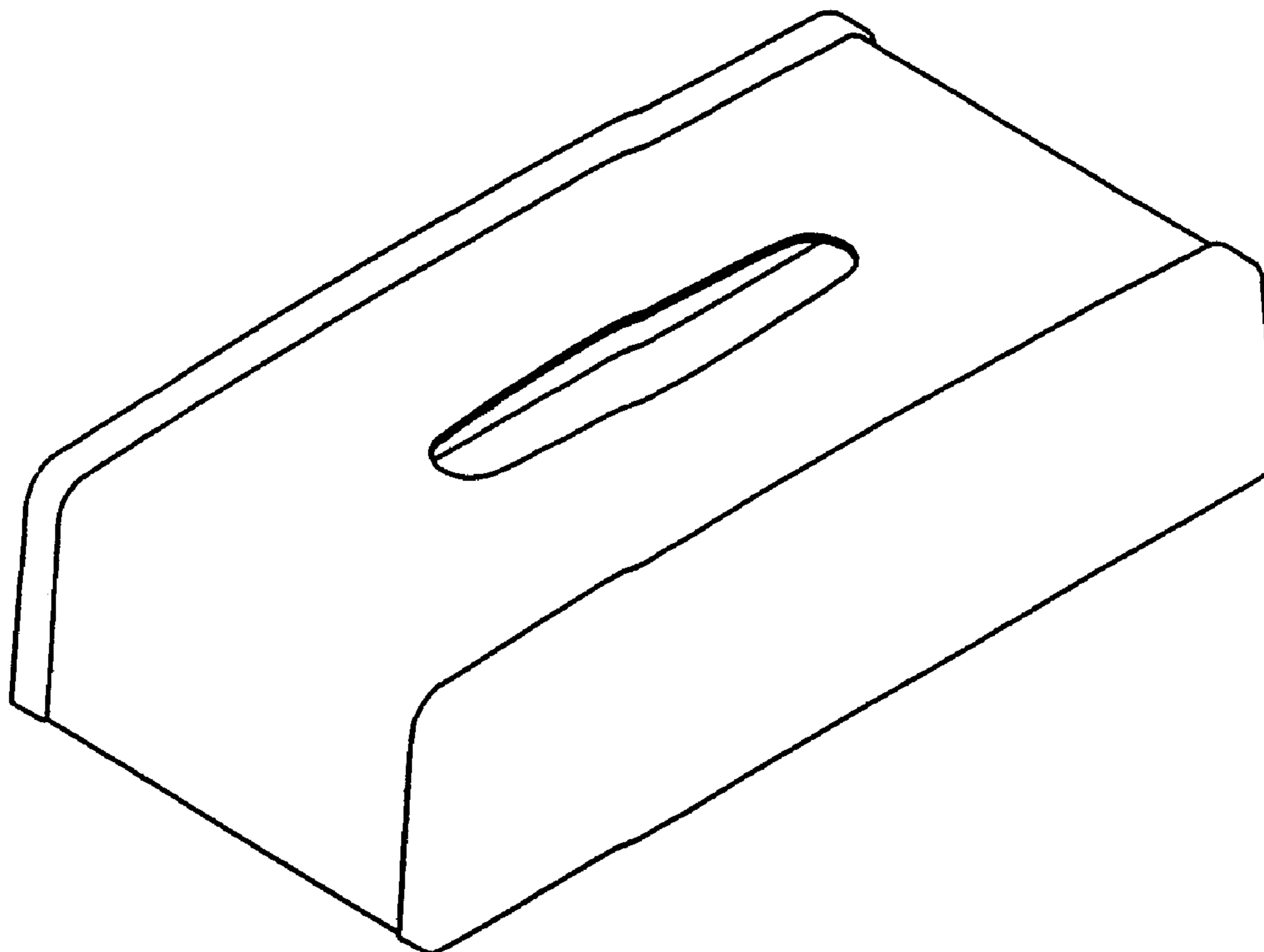
FIG. 7 is a view from the left of FIG. 5.

(56) **References Cited**

U.S. PATENT DOCUMENTS

D328,992 S * 9/1992 Hollinger D6/518

1 Claim, 7 Drawing Sheets



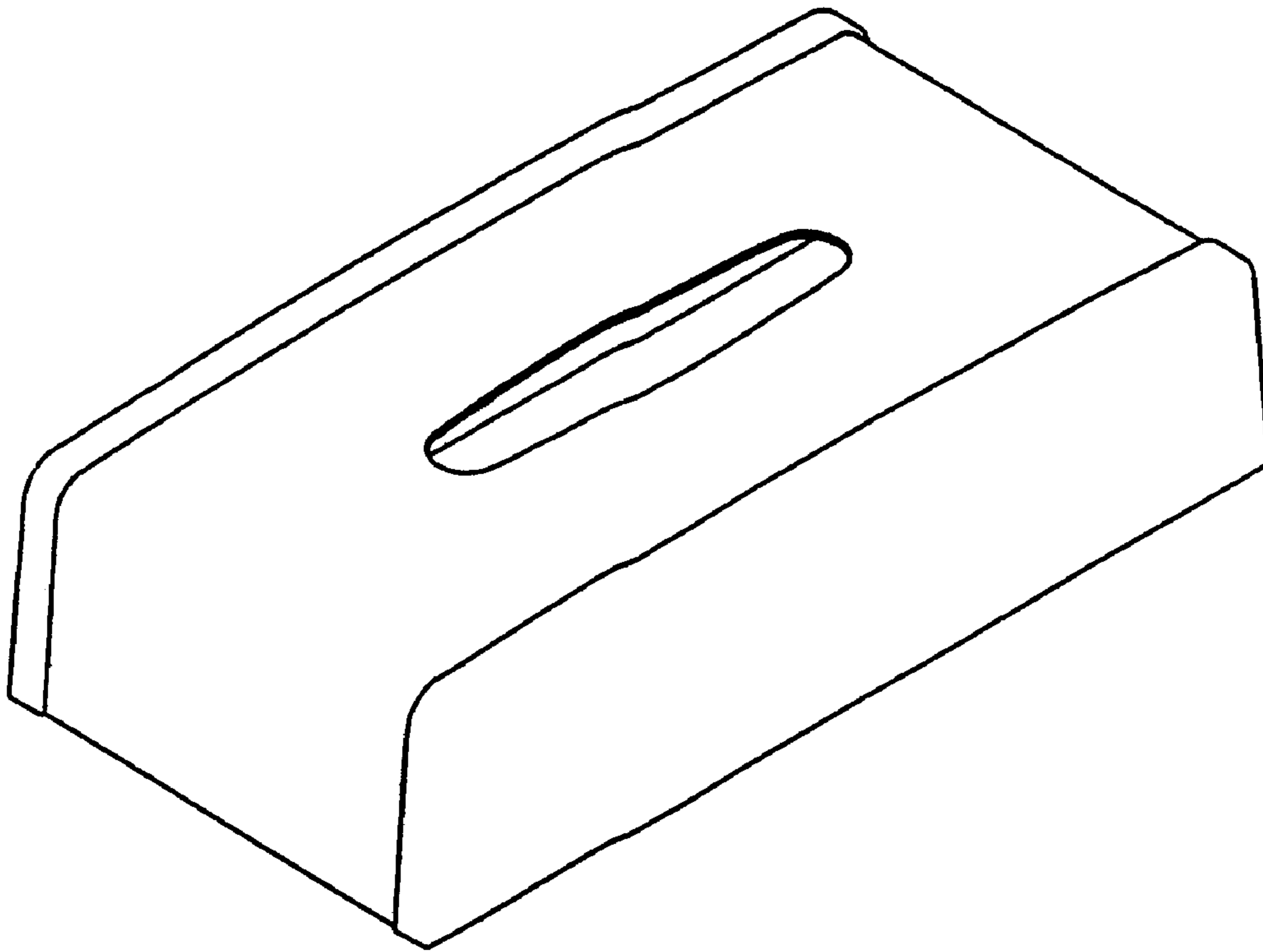


FIG. 1

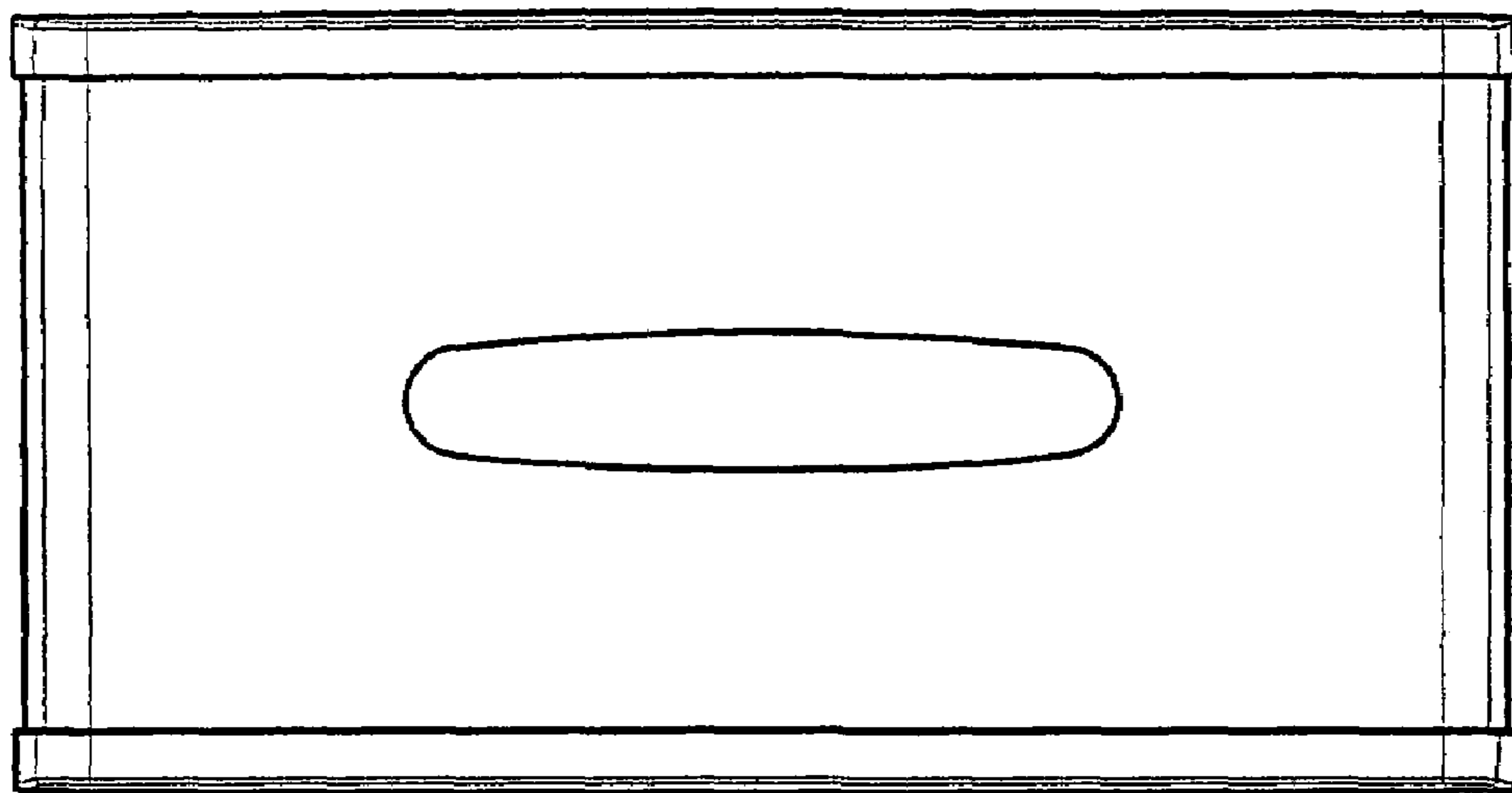


FIG. 2

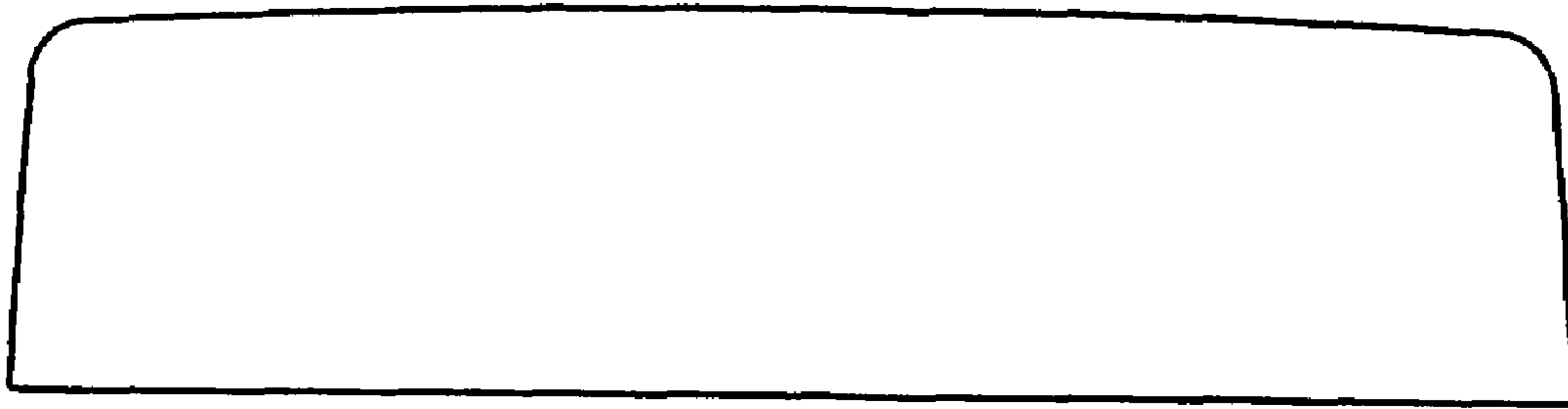


FIG. 3

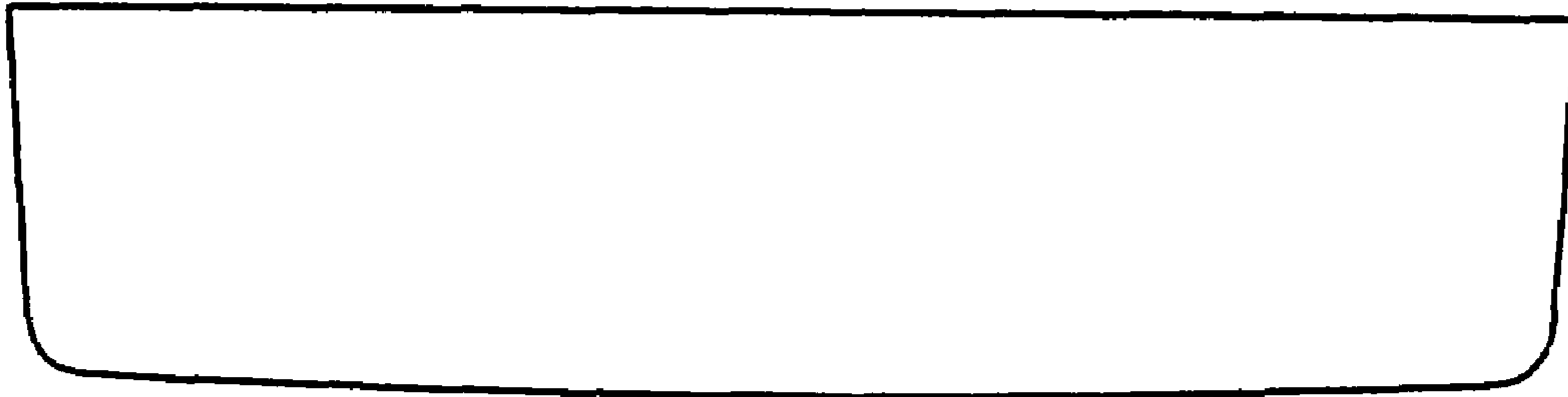


FIG. 4

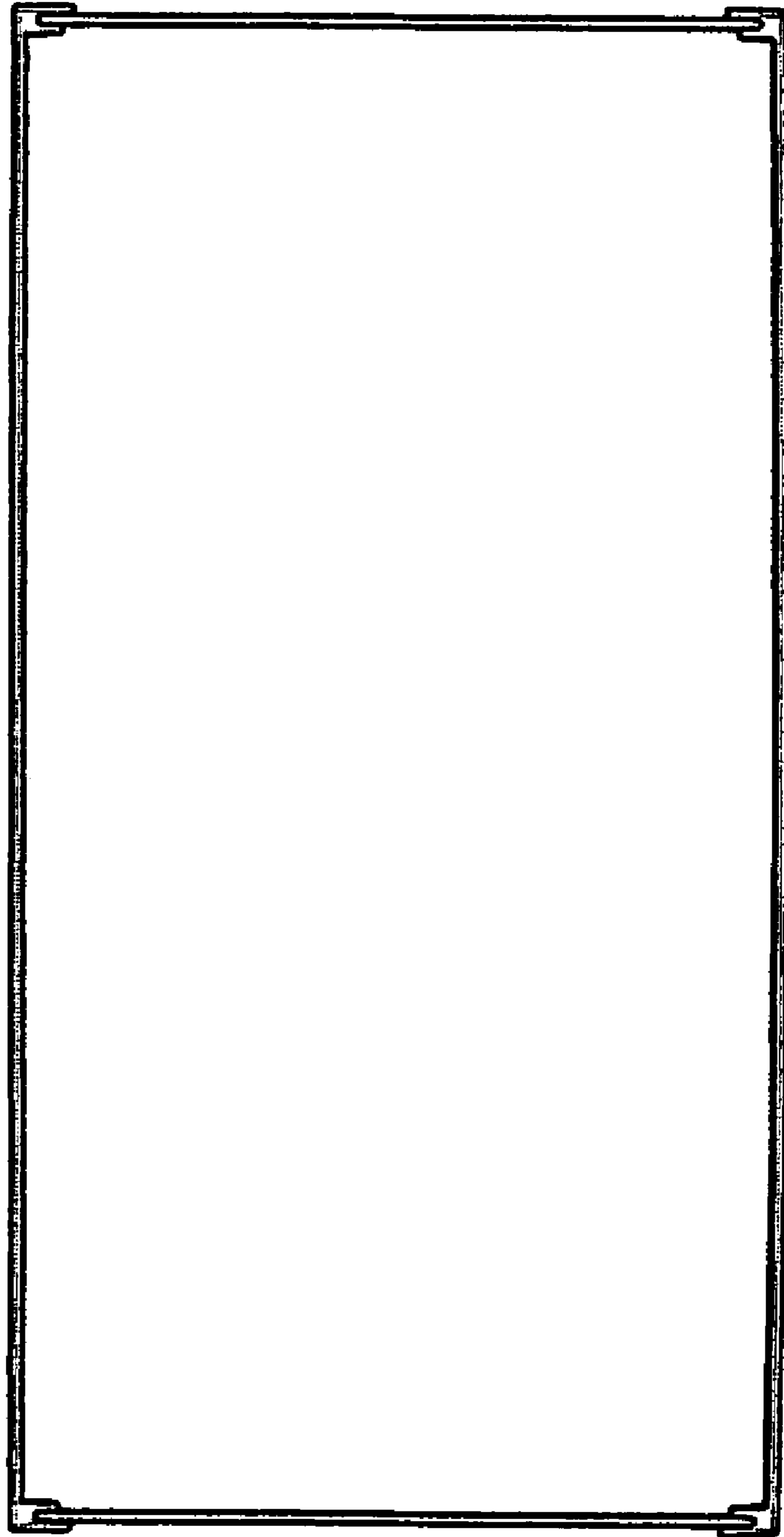


FIG. 5

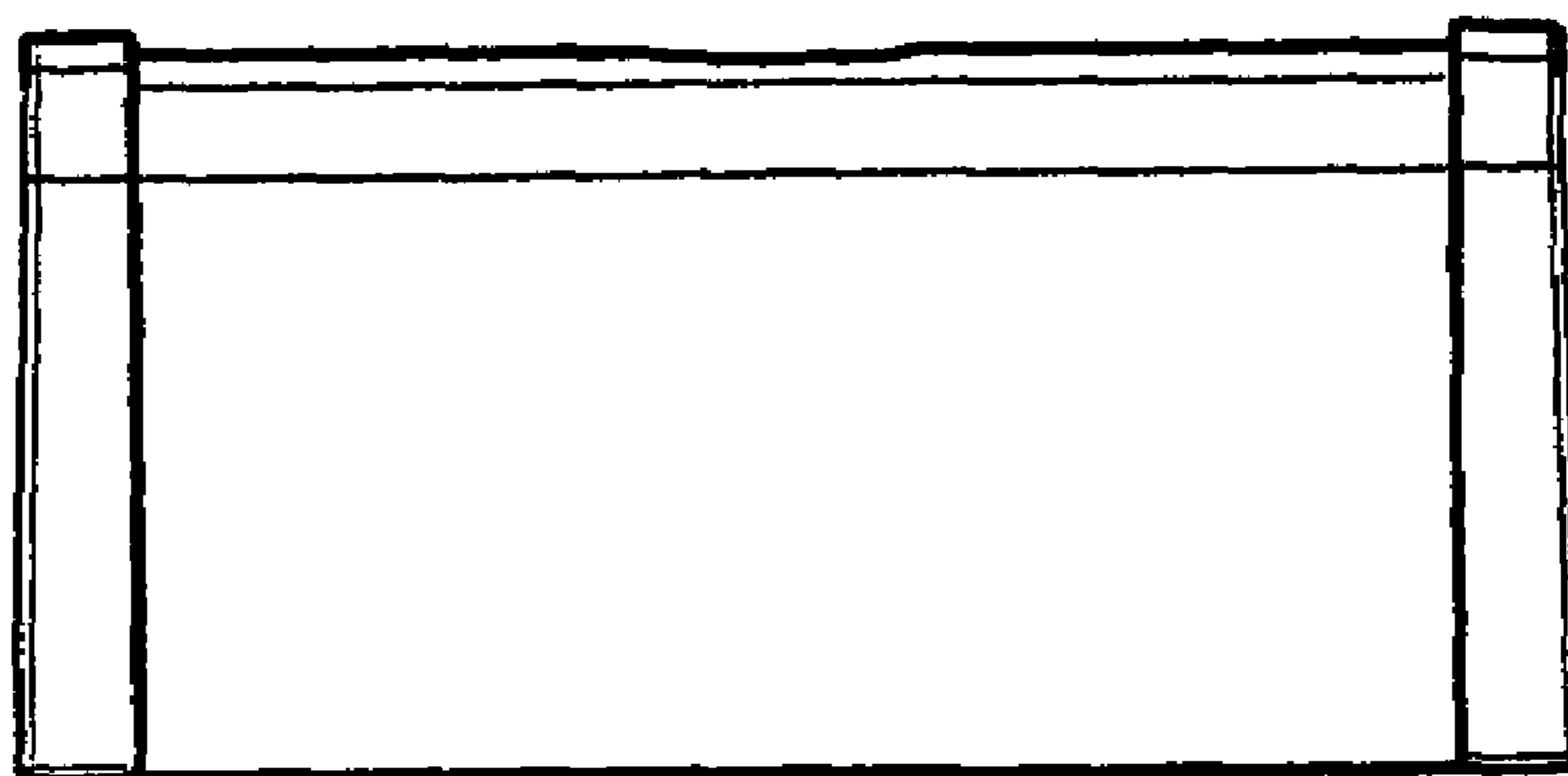


FIG. 6

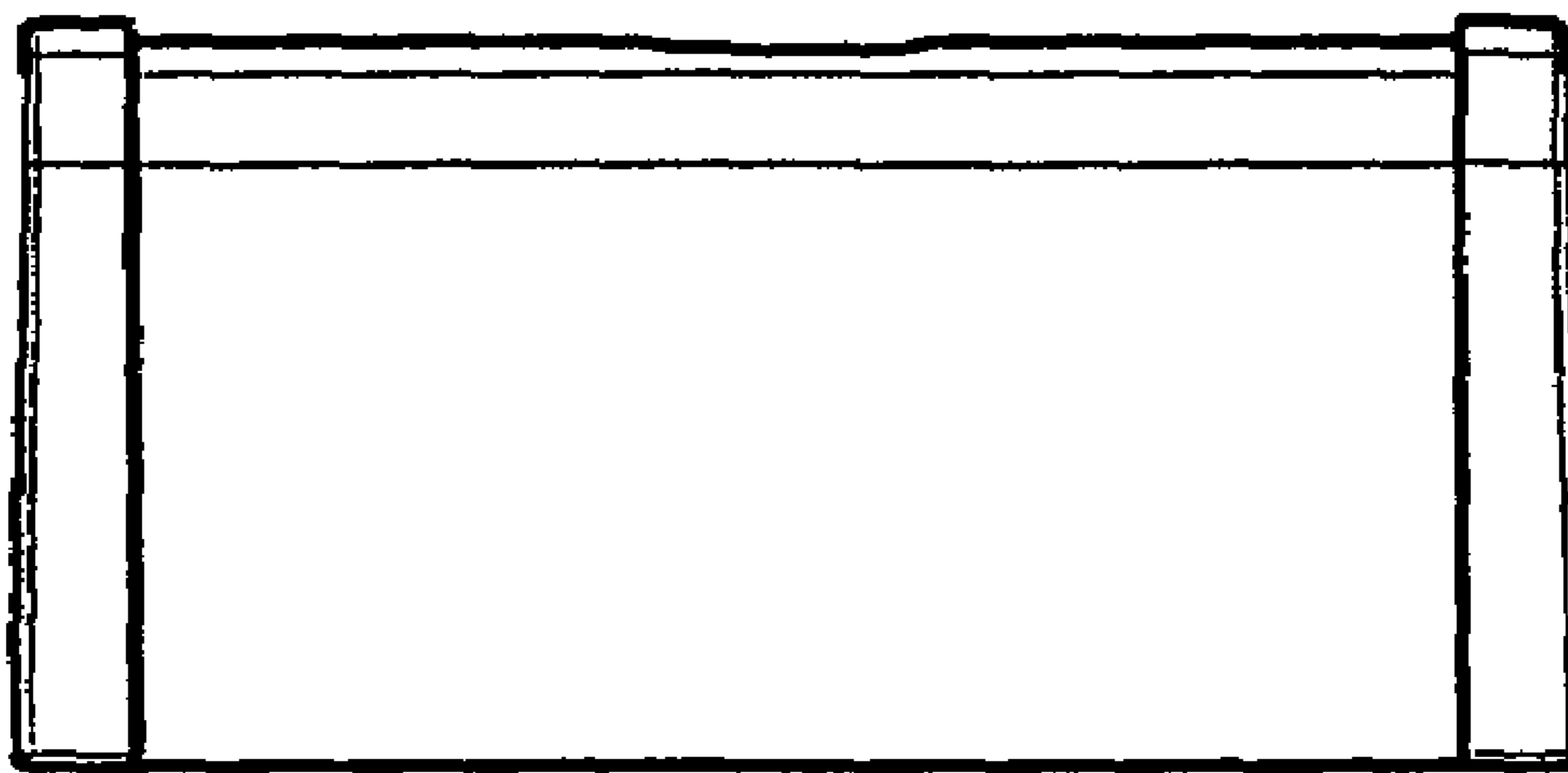


FIG. 7