



US00D564811S

(12) **United States Design Patent**
Boden

(10) **Patent No.:** **US D564,811 S**
(45) **Date of Patent:** **** Mar. 25, 2008**

(54) **DESK UNIT**

D393,761 S * 4/1998 Hinton D6/425
D533,730 S * 12/2006 Stearns D6/422

(75) Inventor: **Günther Boden**, Wilhelmsdorf (DE)

* cited by examiner

(73) Assignee: **Boden Reisszeuge Bavaria GmbH**,
Wilhelmsdorf (DE)

Primary Examiner—Janice E. Seeger
(74) *Attorney, Agent, or Firm*—Jean C. Edwards, Esq.;
Akerman Senterfitt

(**) Term: **14 Years**

(21) Appl. No.: **29/273,586**

(57) **CLAIM**

(22) Filed: **Mar. 9, 2007**

I claim the ornamental design for a desk unit, as shown and described.

(51) **LOC (8) Cl.** **06-04**

(52) **U.S. Cl.** **D6/511; D6/420; D6/422**

(58) **Field of Classification Search** D6/422–428,
D6/484, 421, 419, 420, 480, 511; 108/50.01,
108/50.02; 312/194–196, 208.1, 238, 239;
248/441.1, 445, 454, 461

See application file for complete search history.

DESCRIPTION

(56) **References Cited**

U.S. PATENT DOCUMENTS

2,997,267	A *	8/1961	Shelly	248/200
D197,721	S *	3/1964	Wallace	D6/420
D199,847	S *	12/1964	Ulrich	D6/420
D226,999	S *	5/1973	Jessen	D6/419
4,196,675	A *	4/1980	Cook	108/6
D273,163	S *	3/1984	Halme	D6/420
D278,918	S *	5/1985	Morcheles	D19/52
D334,677	S *	4/1993	Hinden	D6/484

FIG. 1 is a front view of a desk unit, showing my new design;

FIG. 2 is a left side view of the design of FIG. 1;

FIG. 3 is a right side view of the design of FIG. 1;

FIG. 4 is a rear view of the design of FIG. 1, with table at 45 degree angle;

FIG. 5 is a top view of the design of FIG. 1, with table at 45 degree angle; and,

FIG. 6 is a front view of the design of FIG. 1, with table in flat position.

The broken lines are for illustrative purposes only and form no part of the claimed design.

1 Claim, 6 Drawing Sheets

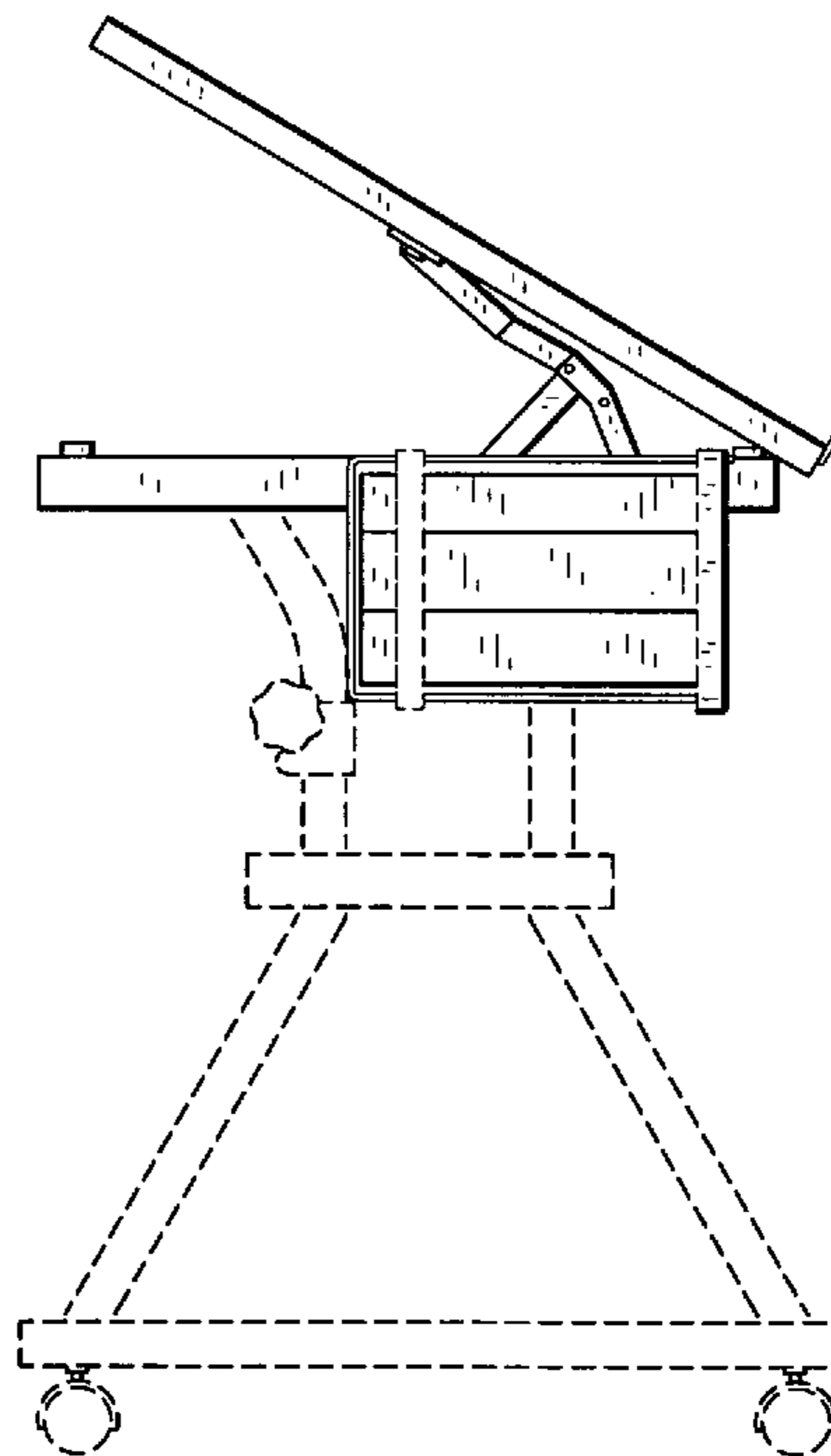
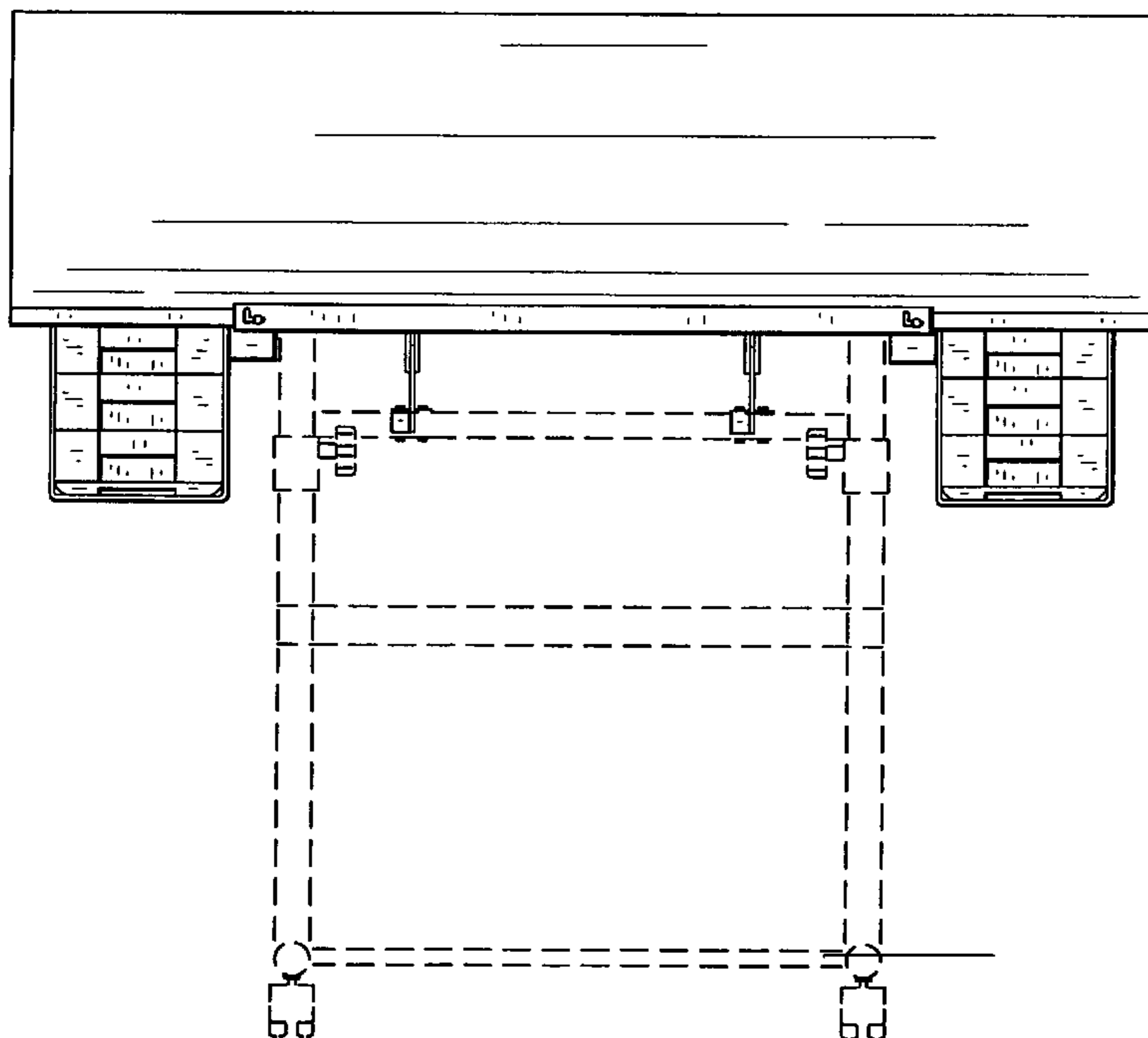


FIG. 1

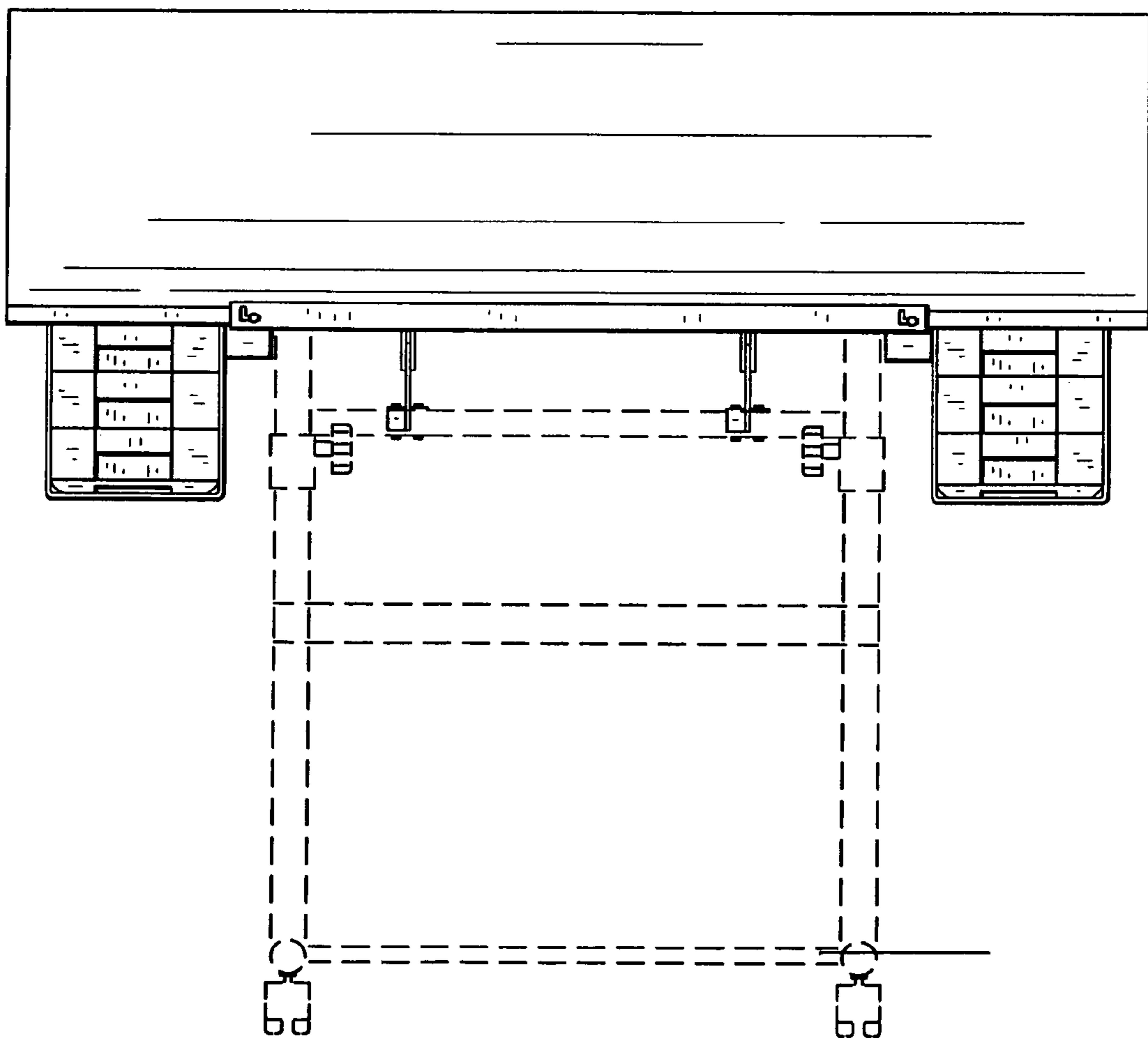


FIG. 2

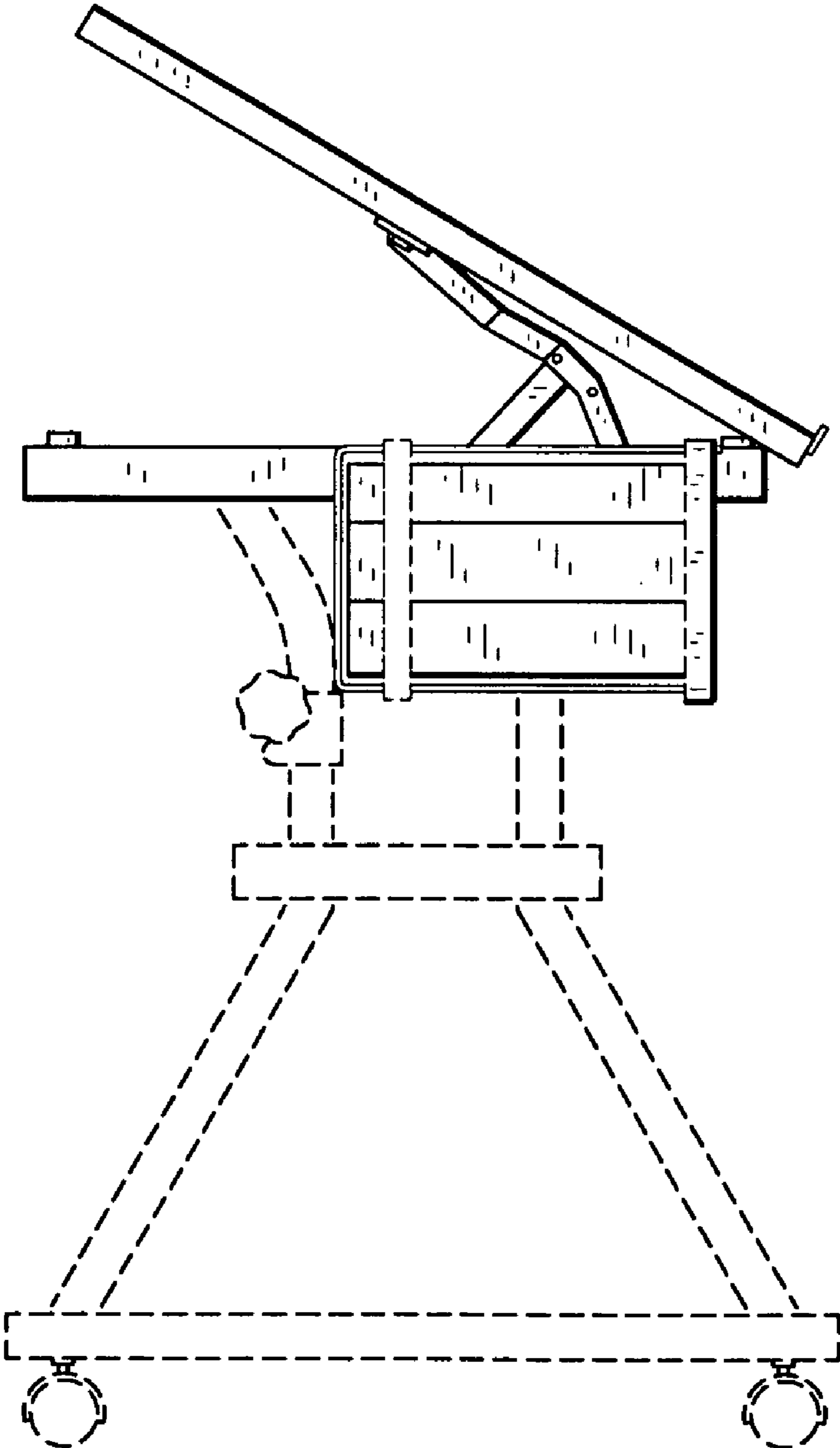


FIG. 3

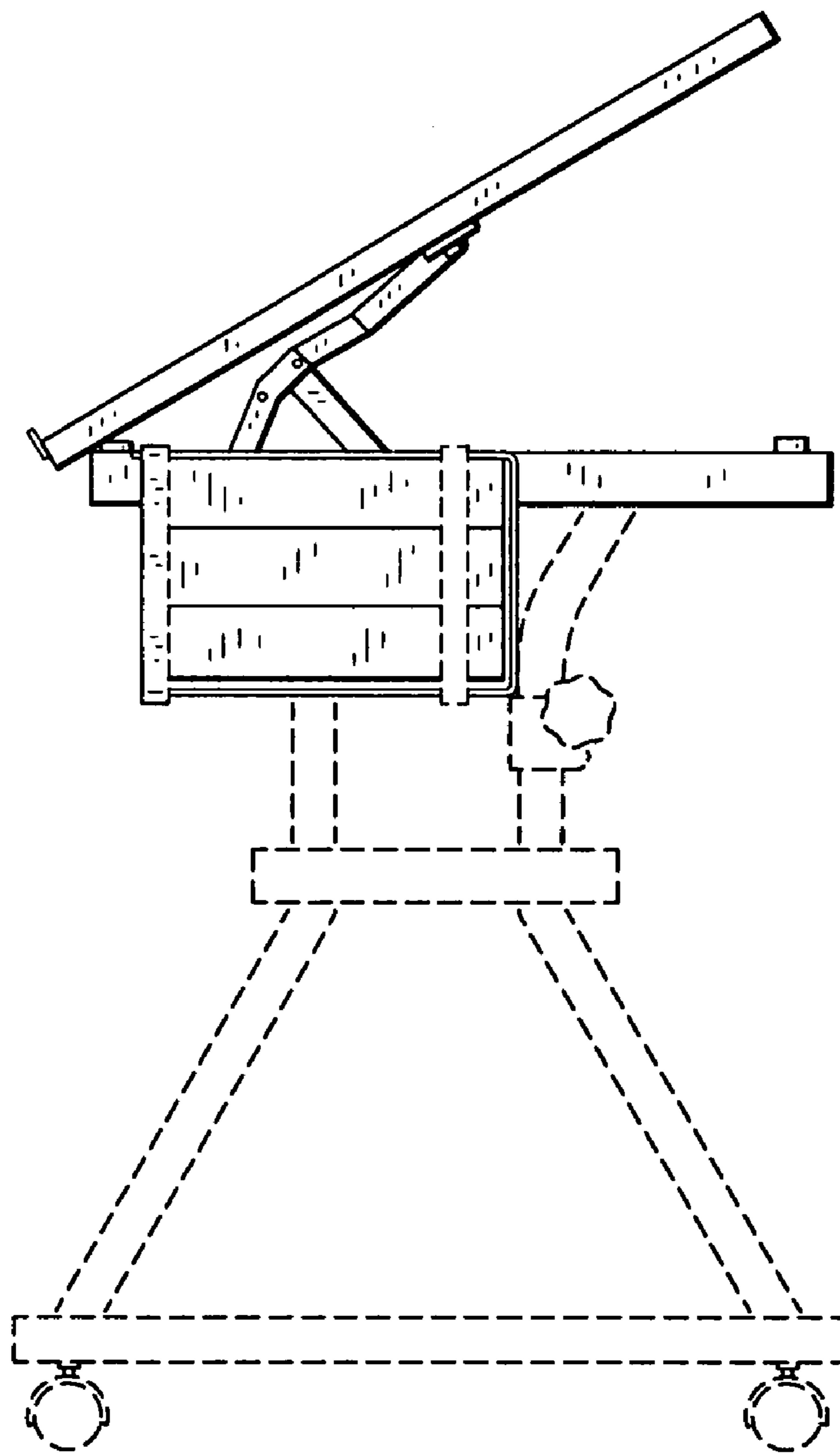


FIG. 4

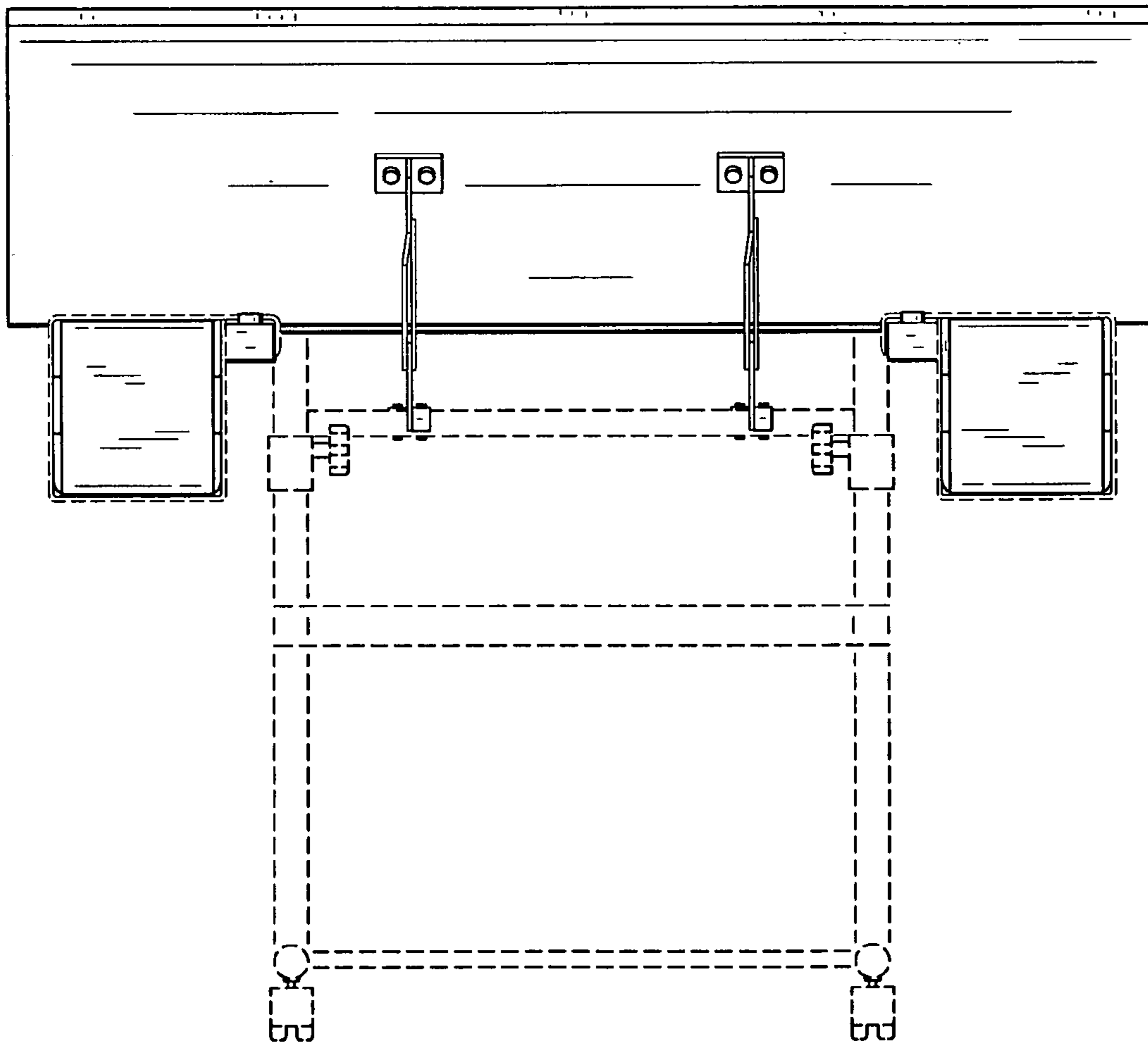


FIG. 5

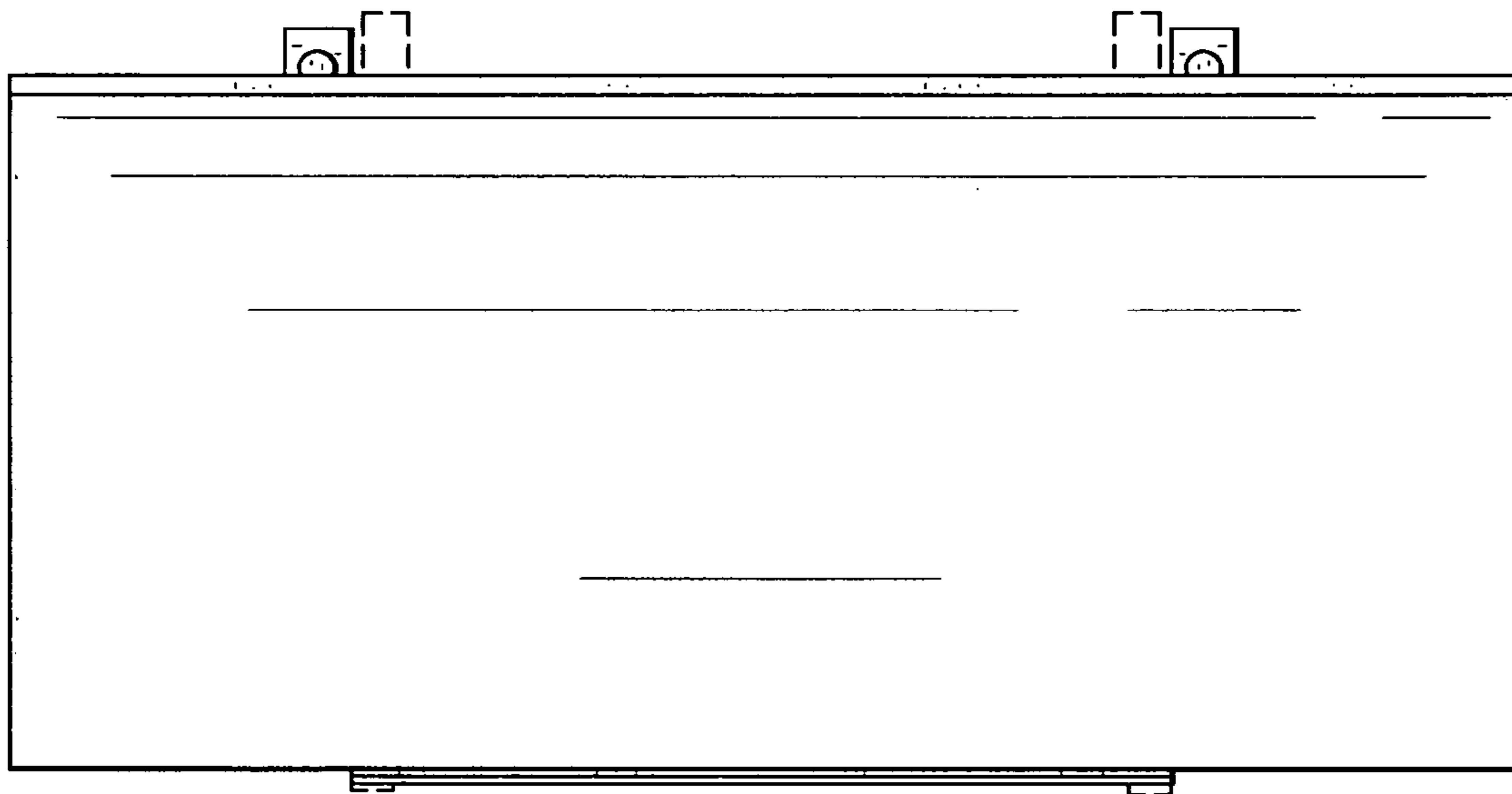


FIG. 6

