



US00D564804S

(12) **United States Design Patent**  
**Thompson**

(10) **Patent No.:** **US D564,804 S**

(45) **Date of Patent:** **\*\* Mar. 25, 2008**

(54) **FURNITURE BASE**

(75) Inventor: **David W. Thompson**, New Albany, OH (US)

(73) Assignee: **American Signature, Inc.**, Columbus, OH (US)

(\*\*) Term: **14 Years**

(21) Appl. No.: **29/275,544**

(22) Filed: **Dec. 29, 2006**

(51) **LOC (8) Cl.** ..... **06-06**

(52) **U.S. Cl.** ..... **D6/495**

(58) **Field of Classification Search** ..... D6/349,  
D6/352, 402, 407, 432-441, 444-448, 470,  
D6/481, 491-495, 509-511, 631-633; 160/184,  
160/201; 312/25, 114, 117, 140.1, 140.3,  
312/204, 224, 260, 297

See application file for complete search history.

(56) **References Cited**

**U.S. PATENT DOCUMENTS**

D450,476 S	*	11/2001	Vaaler	.....	D6/441
D469,626 S	*	2/2003	Vaaler	.....	D6/441
D480,895 S	*	10/2003	Schmitt	.....	D6/441
D481,555 S	*	11/2003	Schmitt	.....	D6/444
D486,979 S	*	2/2004	Schmitt	.....	D6/441
D532,625 S	*	11/2006	Schmitt	.....	D6/441
D555,393 S	*	11/2007	O'Hare et al.	.....	D6/441

\* cited by examiner

*Primary Examiner*—Mimosa De

*Assistant Examiner*—Ricky Pham

(74) *Attorney, Agent, or Firm*—Wood, Herron & Evans, L.L.P.

(57) **CLAIM**

The ornamental design for a furniture base, as shown and described.

**DESCRIPTION**

FIG. 1 is a perspective view of a furniture base showing my new design.

FIG. 2 is another perspective view thereof.

FIG. 3 is a front elevational view thereof.

FIG. 4 is a front elevational view depicting the profile thereof.

FIG. 5 is a rear elevational view thereof.

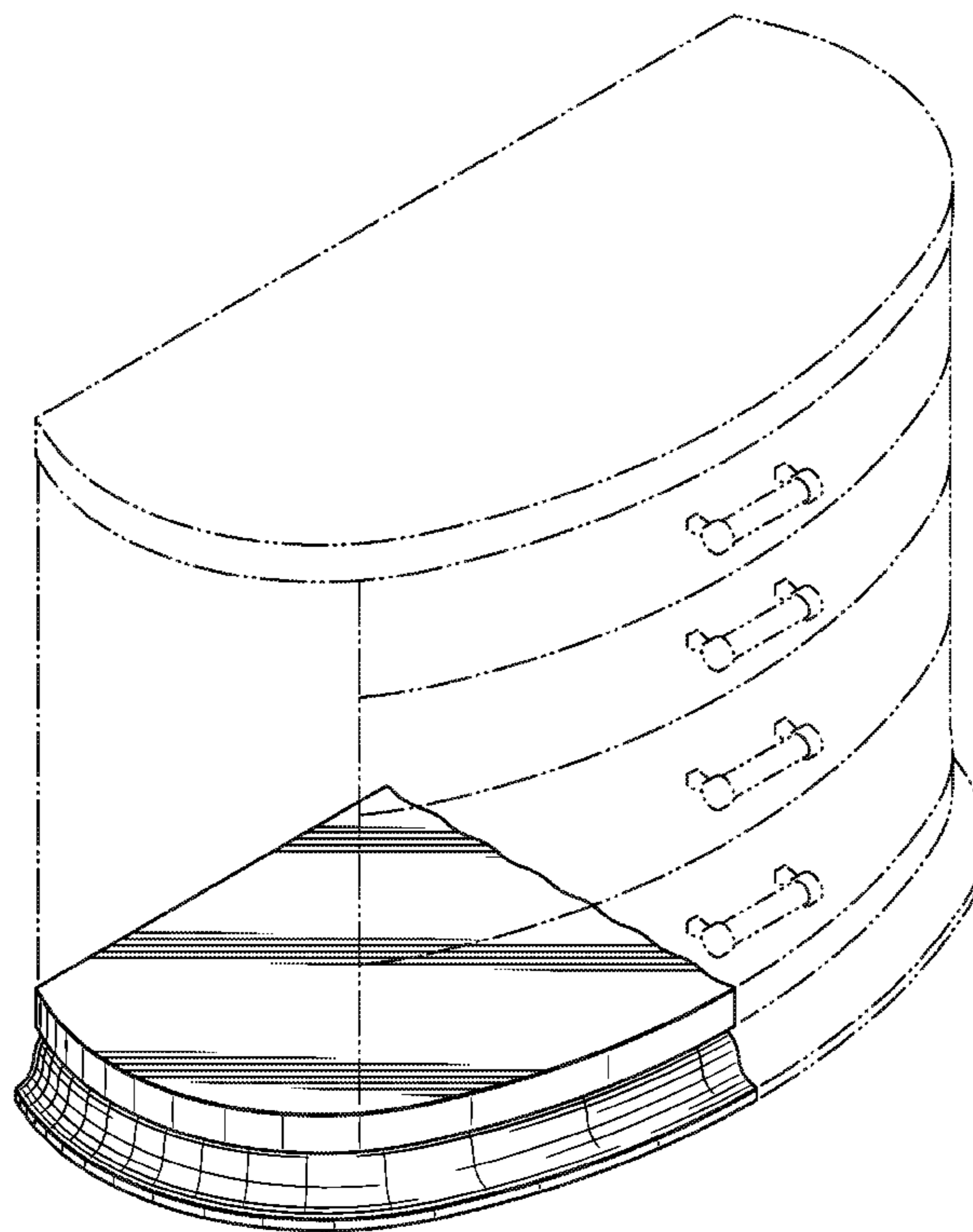
FIG. 6 is a left elevational view thereof.

FIG. 7 is a top plan view thereof; and,

FIG. 8 is a bottom plan view thereof.

The broken lines shown in FIG. 1 are for illustrative purposes only and form no part of the claimed furniture base design.

**1 Claim, 3 Drawing Sheets**



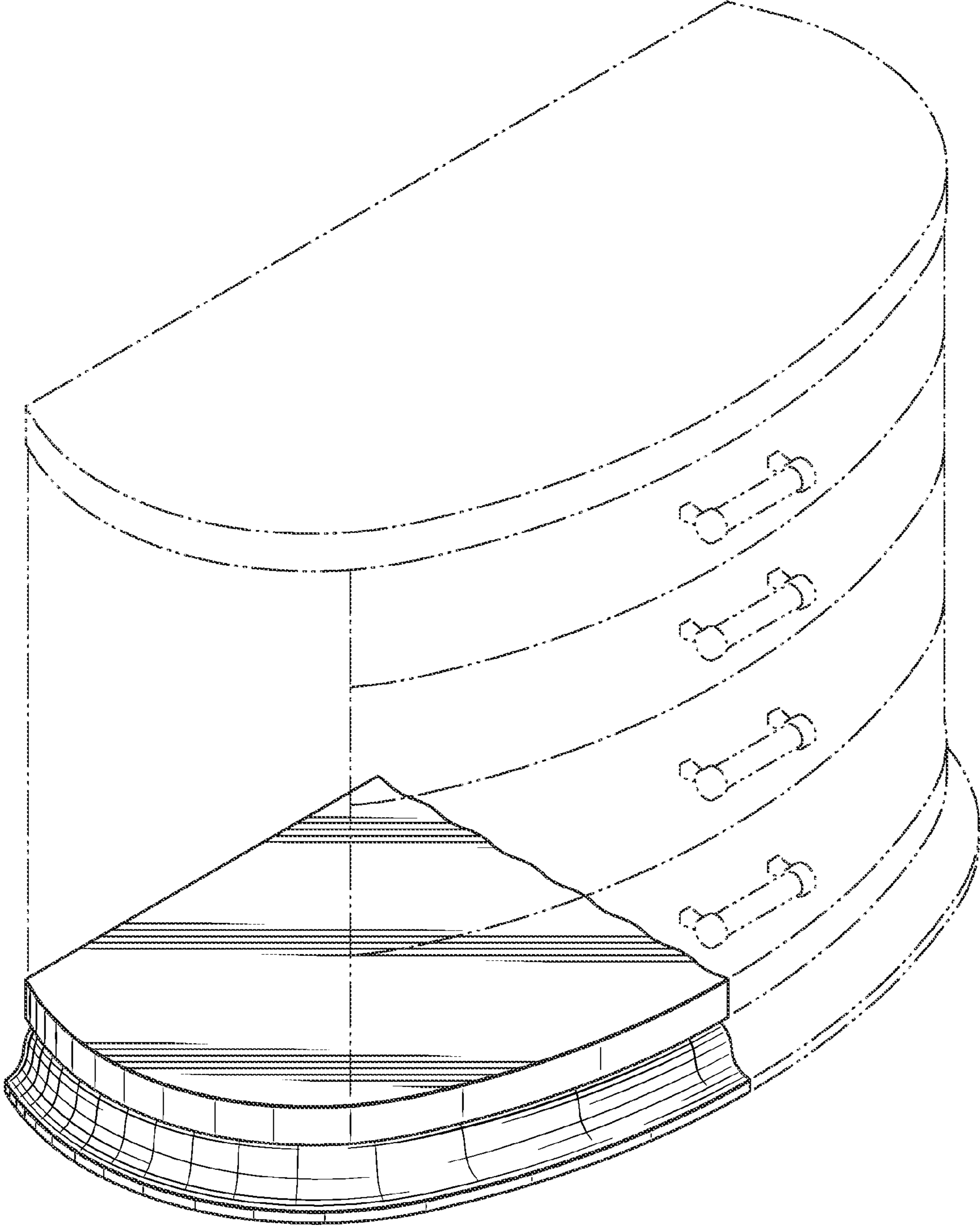


FIG. 1

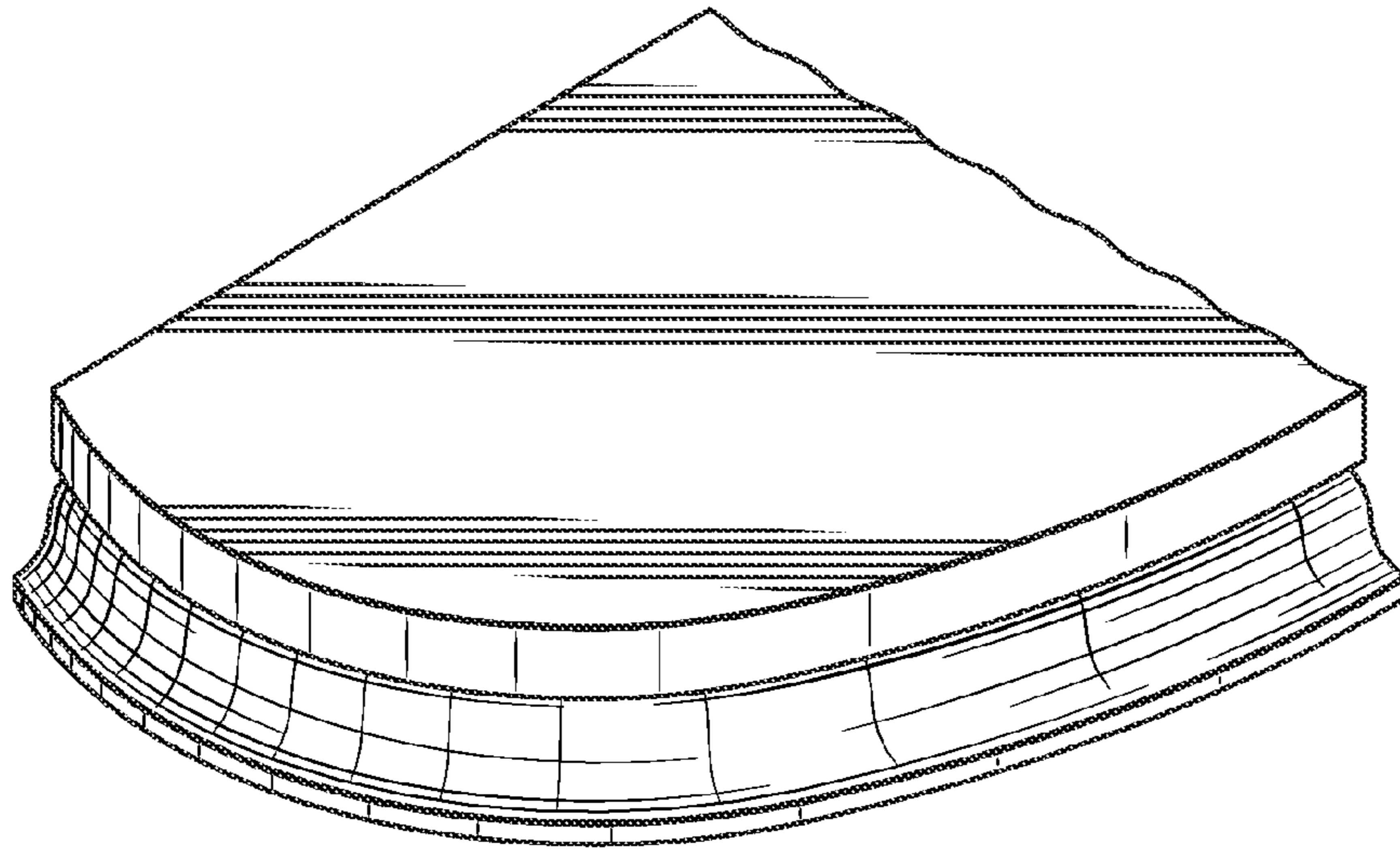


FIG. 2

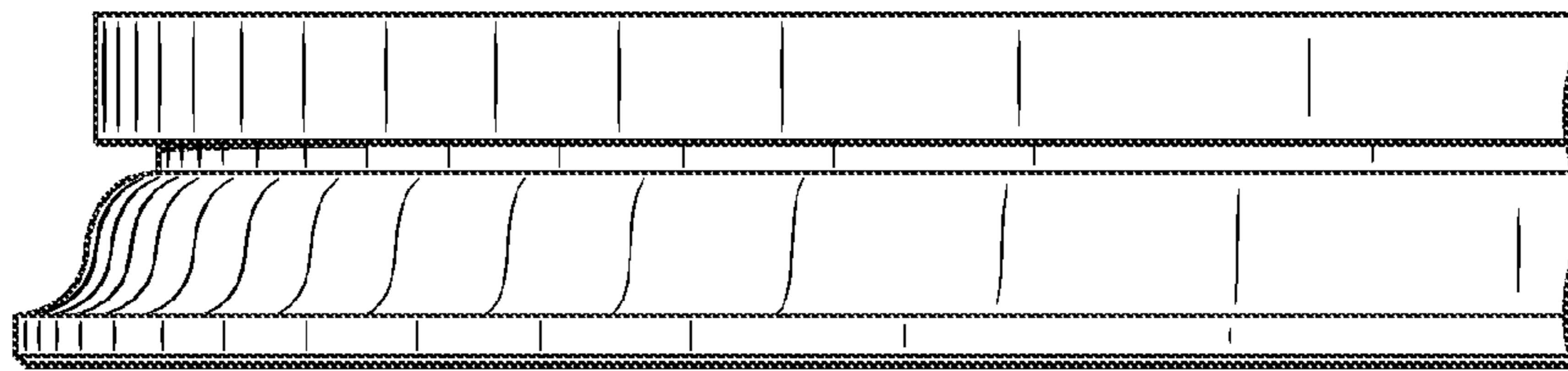


FIG. 3

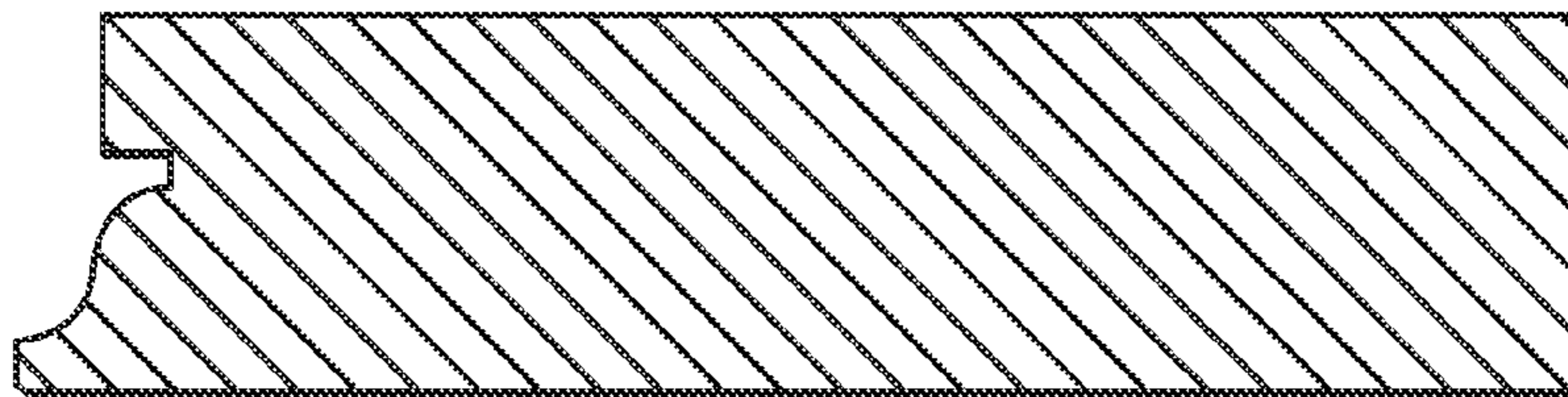


FIG. 4

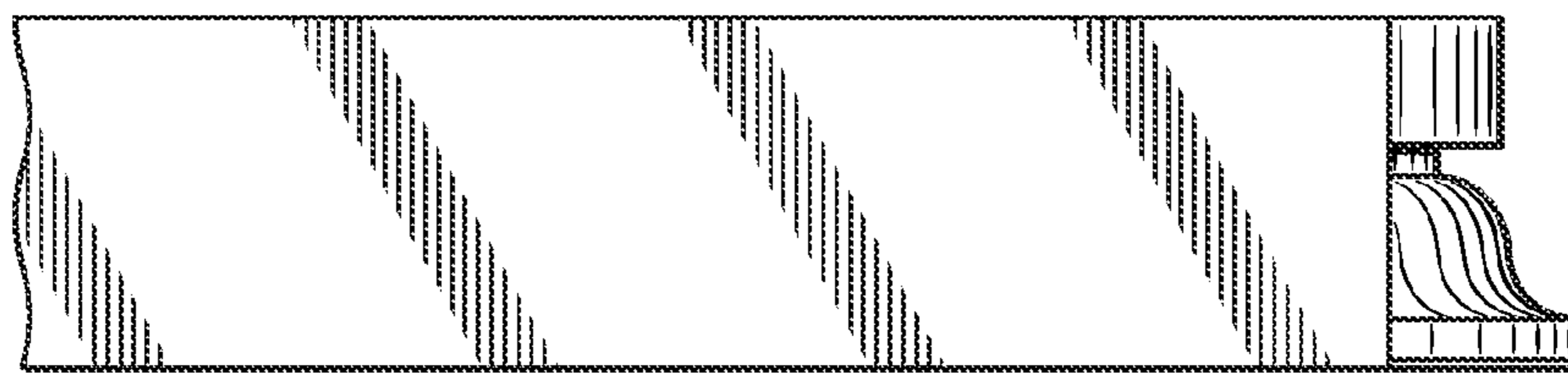


FIG. 5

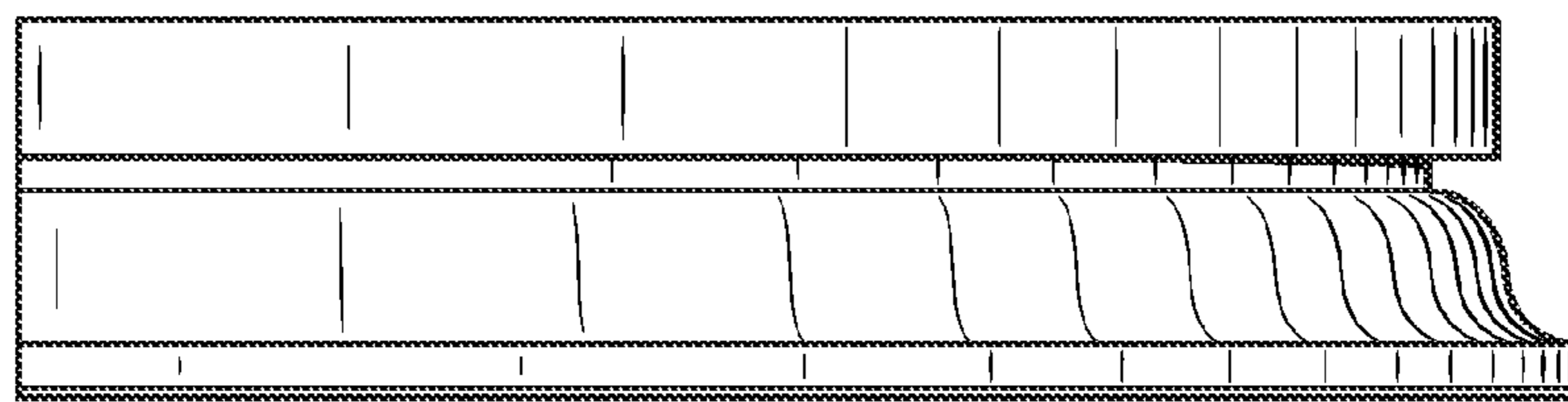


FIG. 6

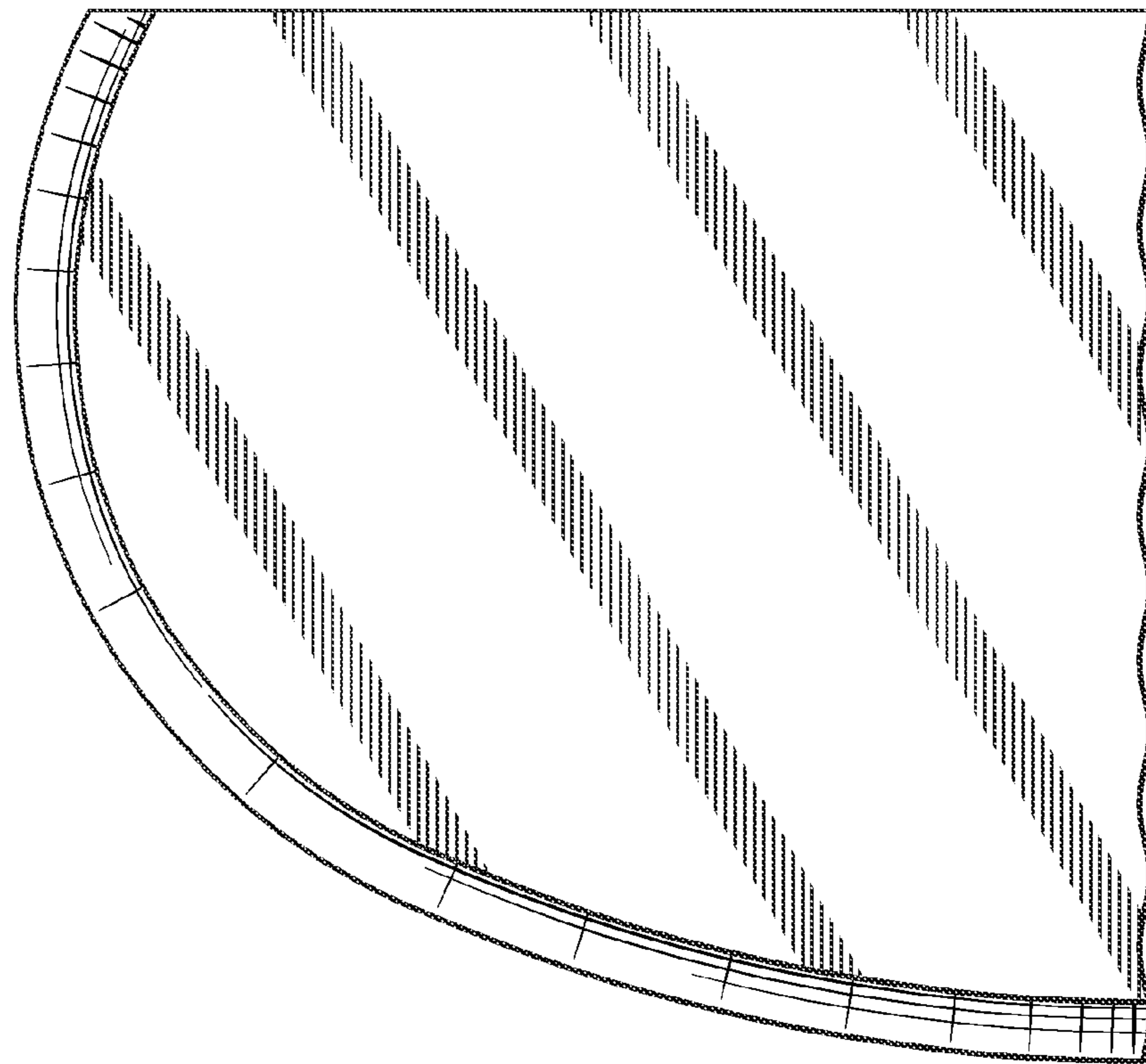


FIG. 7

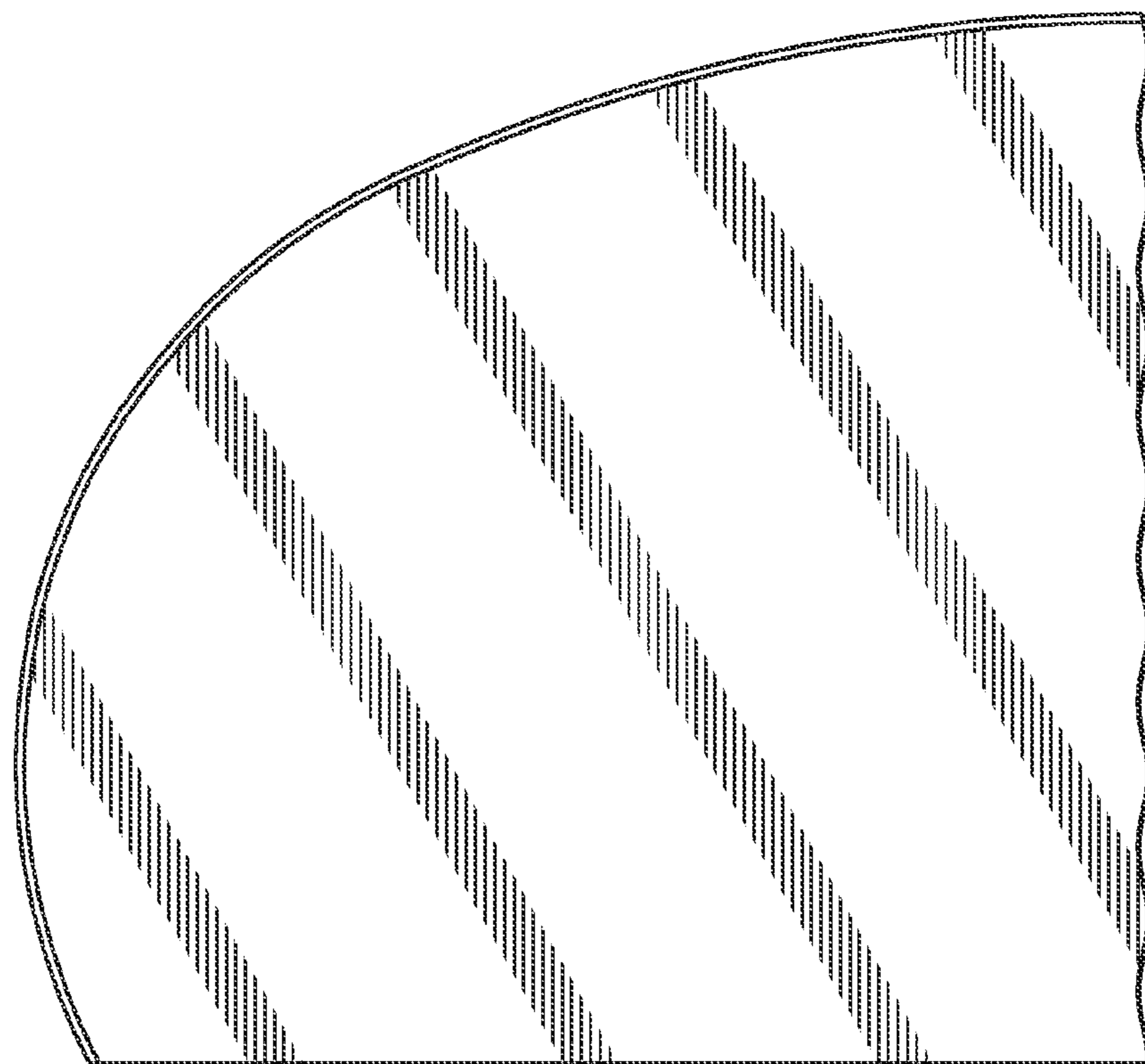


FIG. 8