

US00D564801S

(12) **United States Design Patent**
Thompson

(10) **Patent No.:** **US D564,801 S**
(45) **Date of Patent:** **** Mar. 25, 2008**

(54) **DRAWER PULL**

(75) Inventor: **David W. Thompson**, New Albany, OH (US)

(73) Assignee: **American Signature, Inc.**, Columbus, OH (US)

(**) Term: **14 Years**

(21) Appl. No.: **29/275,511**

(22) Filed: **Dec. 28, 2006**

(51) **LOC (8) Cl.** **06-06**

(52) **U.S. Cl.** **D6/492**

(58) **Field of Classification Search** D6/349,
D6/352, 407, 444-448, 491, 492-495, 432-433,
D6/436, 441, 470, 402, 481, 509-511, 631-633;
160/184, 201; 312/25, 140.1, 140.3, 204,
312/260, 297

See application file for complete search history.

(56) **References Cited**

U.S. PATENT DOCUMENTS

D22,397 S *	5/1893	Emerson	D6/433
1,877,470 A *	9/1932	Mastrangelo et al.	312/25
D90,885 S *	10/1933	Houck	D6/433
2,172,956 A *	9/1939	Derman	312/260
2,236,870 A *	4/1941	Derman	312/260
D166,860 S *	5/1952	Lampel	D6/433
2,766,822 A *	10/1956	Potter	160/201
2,827,118 A *	3/1958	Wendt	160/184
D212,794 S *	11/1968	Dilyard	D6/633
D227,964 S *	7/1973	Propst	D6/433
D278,957 S *	5/1985	Flotto	D6/432
D308,607 S *	6/1990	Price et al.	D6/407
D317,079 S *	5/1991	Schmidt et al.	D6/631

D378,174 S *	2/1997	Kamin et al.	D6/433
D412,626 S *	8/1999	Johnson et al.	D6/433
6,053,591 A *	4/2000	Kasanic	312/297
D476,511 S *	7/2003	Brandon	D6/494
D485,090 S *	1/2004	Brandon	D6/432
7,014,096 B2 *	3/2006	Hinds	232/1 B
D527,553 S *	9/2006	Porter	D6/495
D550,986 S *	9/2007	Thompson	D6/494
D550,993 S *	9/2007	Thompson	D6/509
D550,995 S *	9/2007	Thompson	D6/511

* cited by examiner

Primary Examiner—Mimosa De

Assistant Examiner—Ricky Pham

(74) *Attorney, Agent, or Firm*—Wood, Herron & Evans, L.L.P.

(57) **CLAIM**

The ornamental design for a drawer pull, as shown and described.

DESCRIPTION

FIG. 1 is a perspective view of a drawer pull showing my new design.

FIG. 2 is another perspective view thereof.

FIG. 3 is a front elevational view thereof.

FIG. 4 is a cross-sectional view taken along line 4—4 of FIG. 3, depicting the recessed portions of the front thereof.

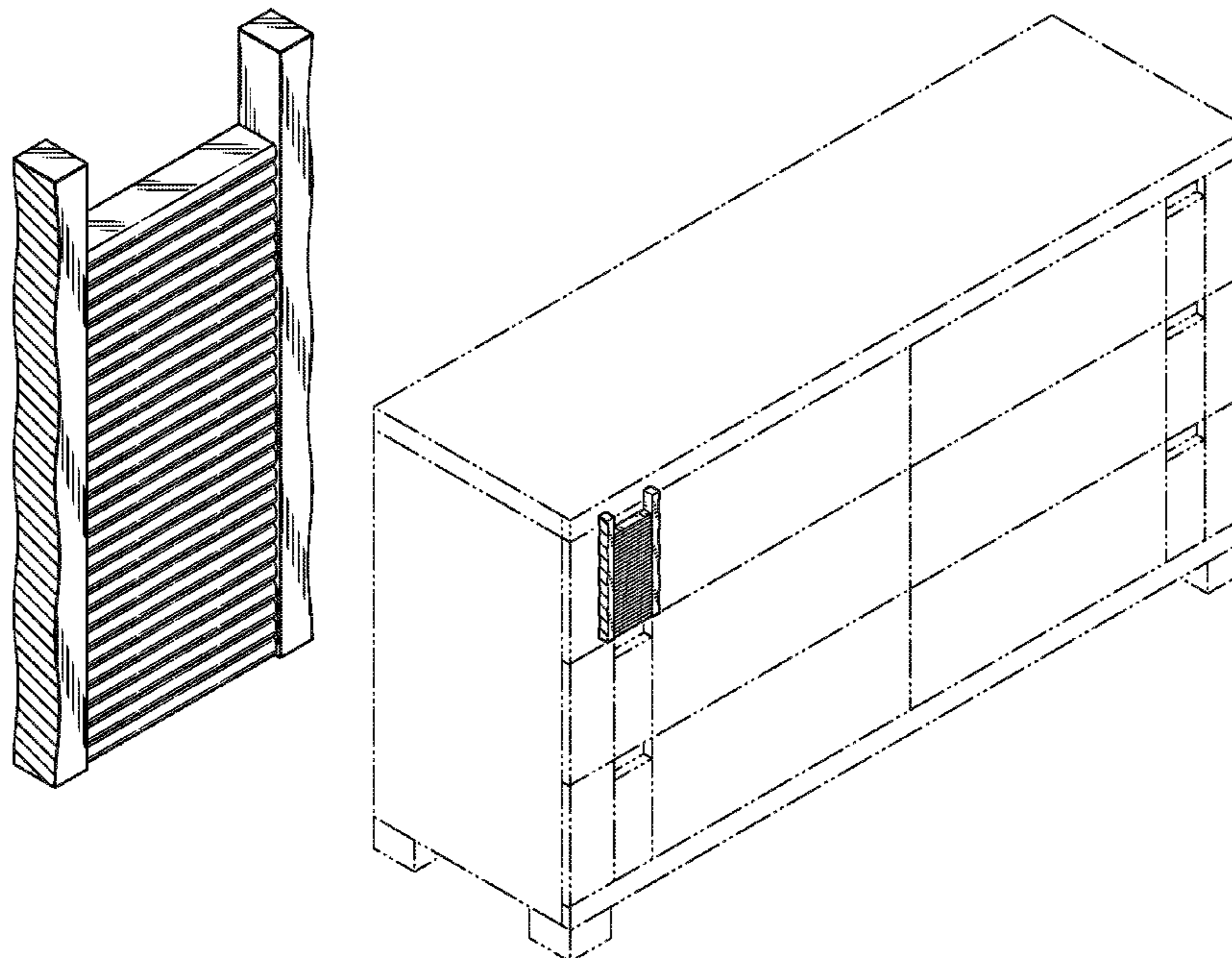
FIG. 5 is a rear elevational view thereof.

FIG. 6 is a top plan view thereof; and,

FIG. 7 is a bottom plan view thereof.

The broken lines in FIG. 2 depict environment and form no part of the claimed design.

1 Claim, 3 Drawing Sheets



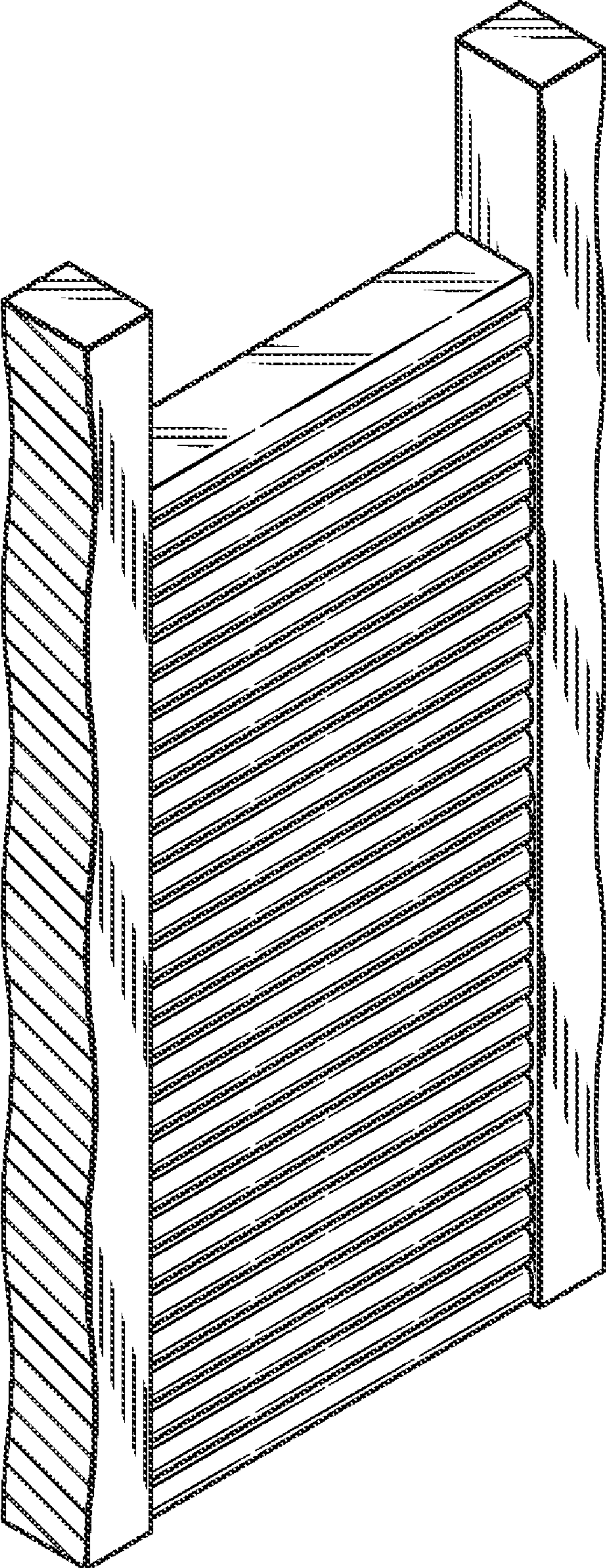


FIG. 1

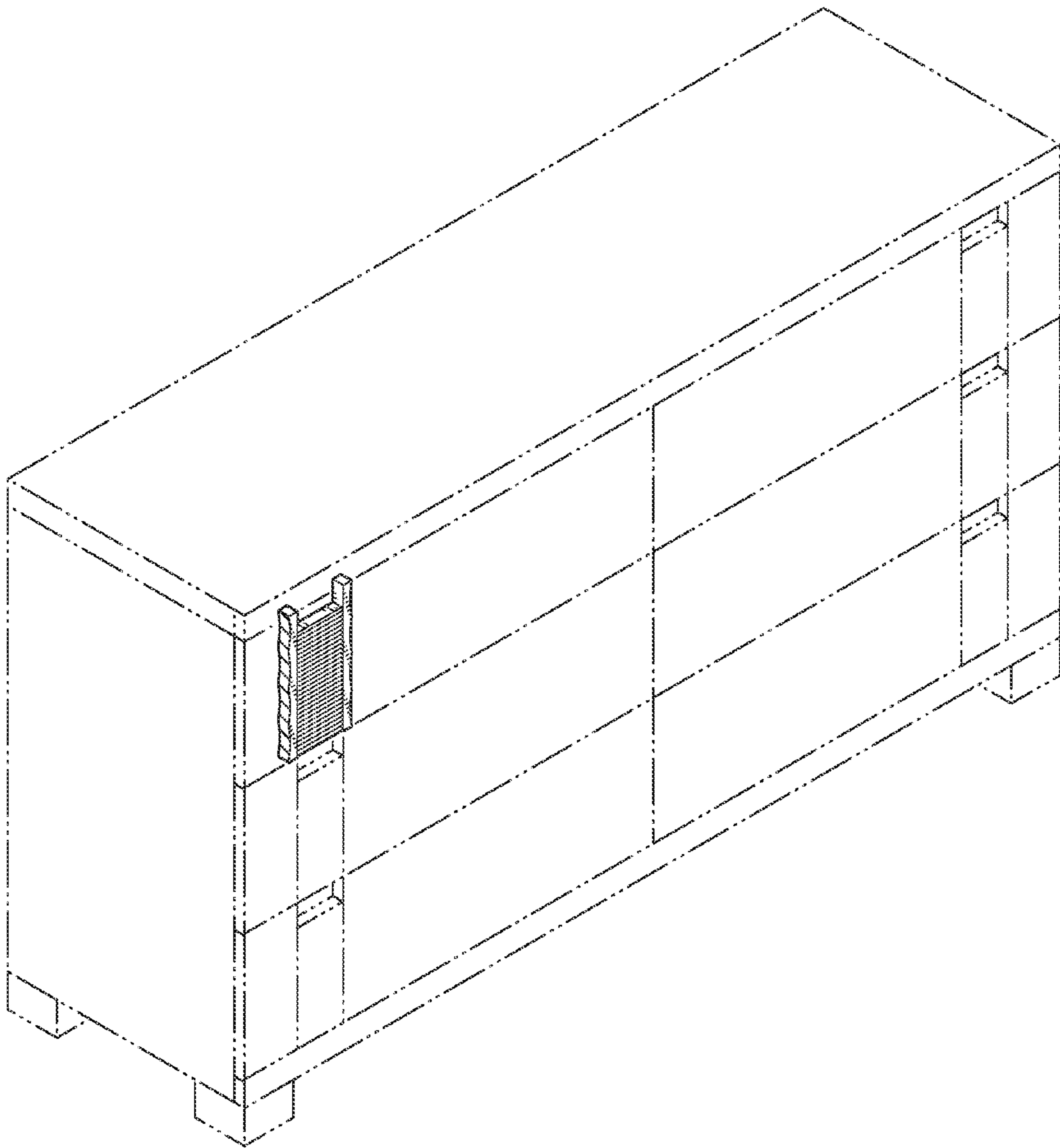
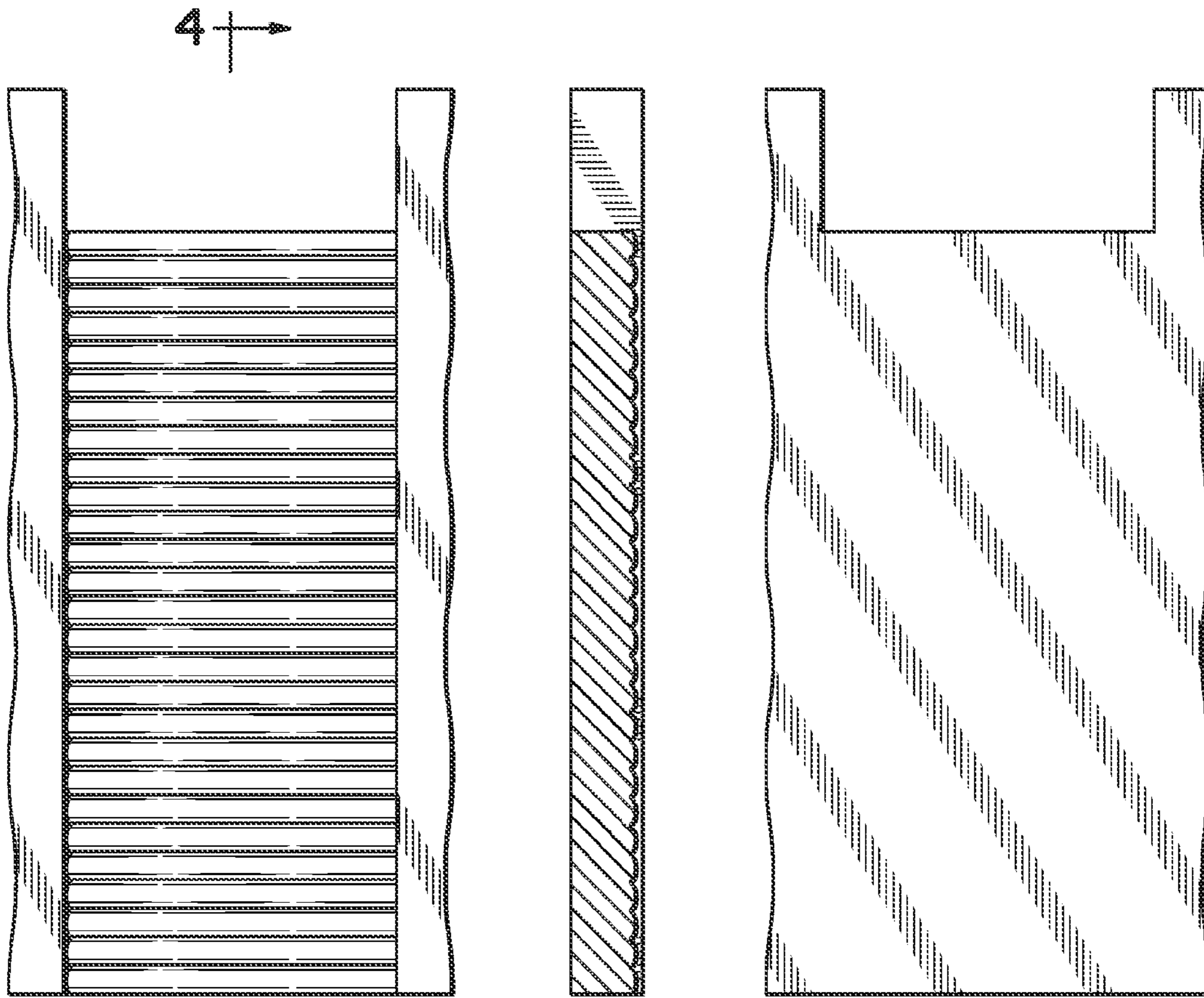


FIG. 2



4 →
FIG. 3

FIG. 4

FIG. 5

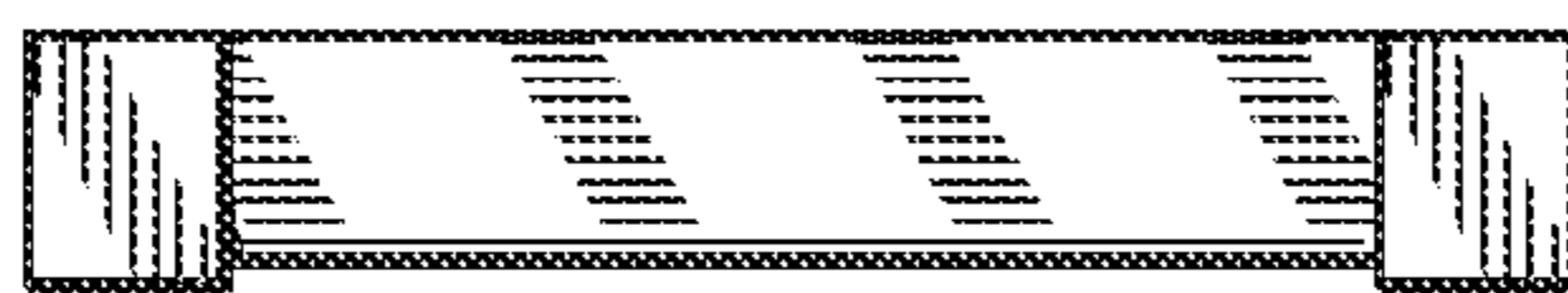


FIG. 6



FIG. 7