

US00D564798S

(12) **United States Design Patent**
Thompson

(10) **Patent No.:** **US D564,798 S**
(45) **Date of Patent:** **** Mar. 25, 2008**

(54) **SCALLOPED CHEST COMPONENT**

(75) Inventor: **David W. Thompson**, New Albany, OH
(US)

(73) Assignee: **American Signature, Inc.**, Columbus,
OH (US)

(**) Term: **14 Years**

(21) Appl. No.: **29/275,512**

(22) Filed: **Dec. 28, 2006**

(51) **LOC (8) Cl.** **06-06**

(52) **U.S. Cl.** **D6/491**

(58) **Field of Classification Search** D6/349,
D6/352, 402, 407, 432-439, 441, 445-448,
D6/470, 483, 491-495, 509-511, 559, 561,
D6/631-633; D25/136-137; D34/27; 108/153.1,
108/157.1, 161; 312/140.1, 140.3, 278, 348.4
See application file for complete search history.

(56) **References Cited**

U.S. PATENT DOCUMENTS

D72,338 S * 4/1927 Bach D6/483
D208,401 S * 8/1967 Morgan D25/136
D403,884 S * 1/1999 Corella D6/434
D413,462 S * 9/1999 Paus D6/491

D430,427 S * 9/2000 Cain D6/446
D430,429 S * 9/2000 Walters et al. D6/446
D503,571 S * 4/2005 Lenger D6/491
D509,379 S * 9/2005 Mohundro D6/446

* cited by examiner

Primary Examiner—Mimosa De

Assistant Examiner—Ricky Pham

(74) *Attorney, Agent, or Firm*—Wood, Herron & Evans,
L.L.P.

(57) **CLAIM**

The ornamental design for a scalloped chest component, as
shown and described.

DESCRIPTION

FIG. 1 is a perspective view of a scalloped chest component
showing my new design.

FIG. 2 is a front view thereof.

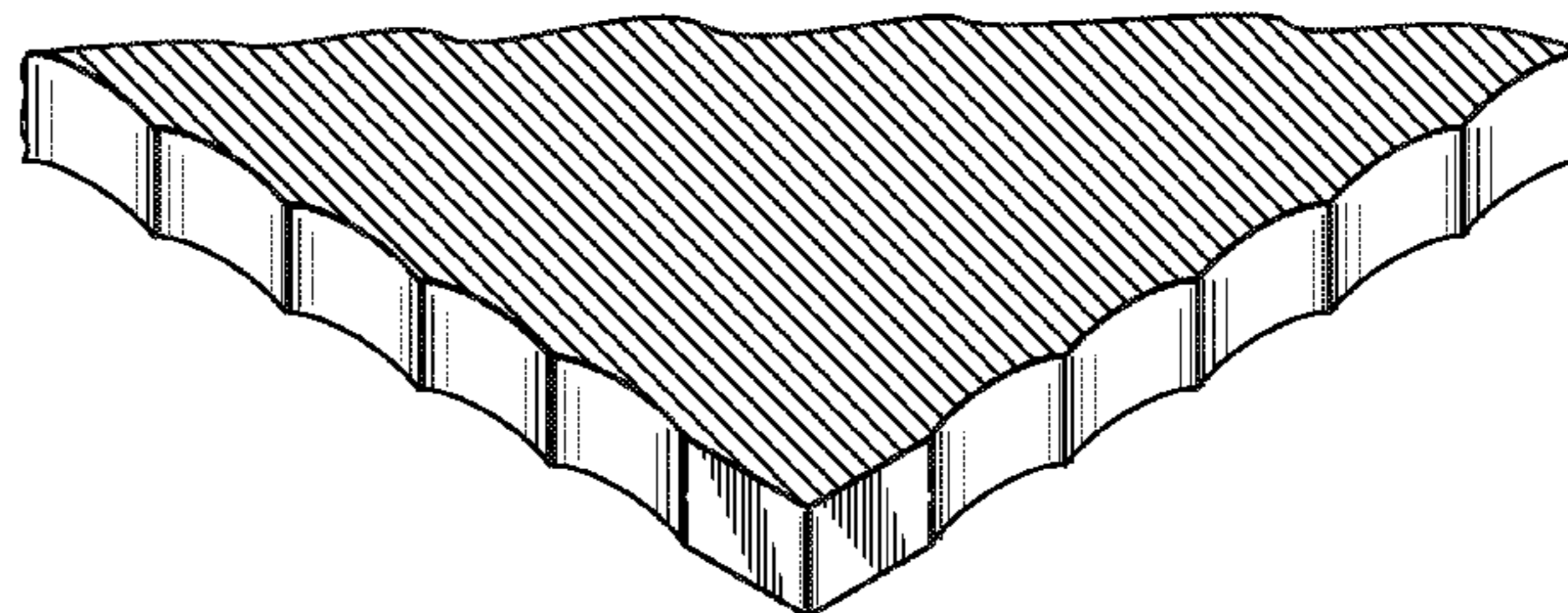
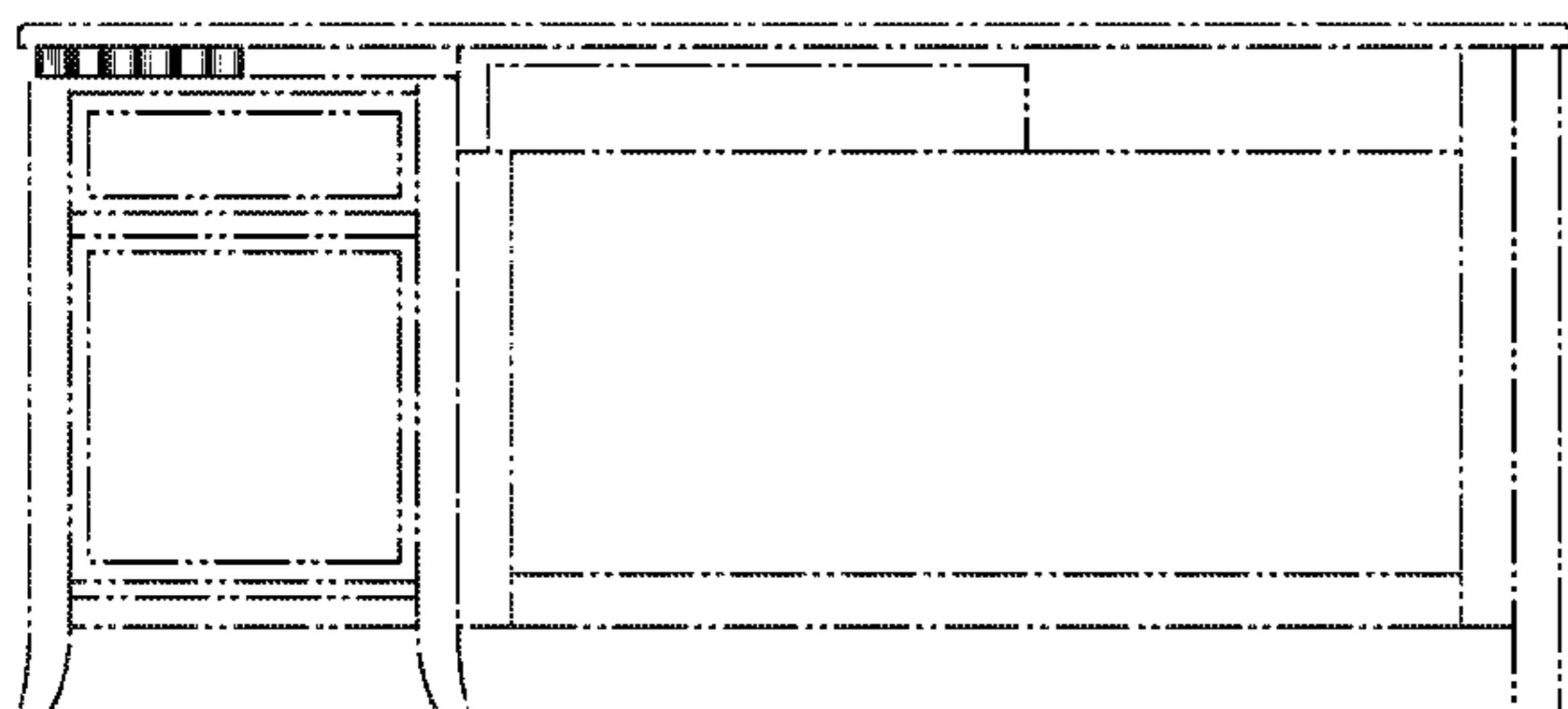
FIG. 3 is a left side elevational view thereof.

FIG. 4 is a perspective view thereof; and,

FIG. 5 is a top plan view thereof.

The broken lines shown in FIG. 1 are for illustrative
purposes only and form no part of the claimed scalloped
chest component design.

1 Claim, 2 Drawing Sheets



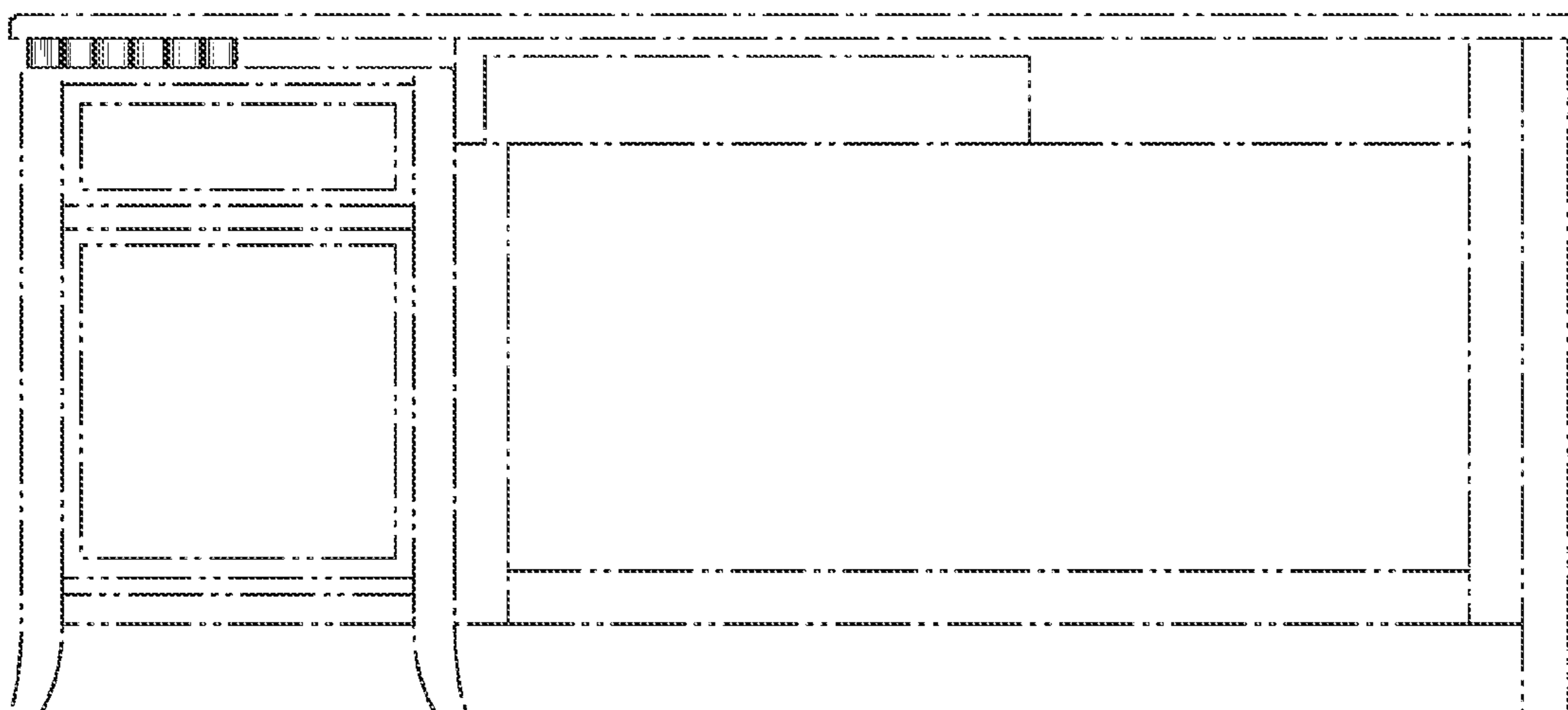


FIG. 1

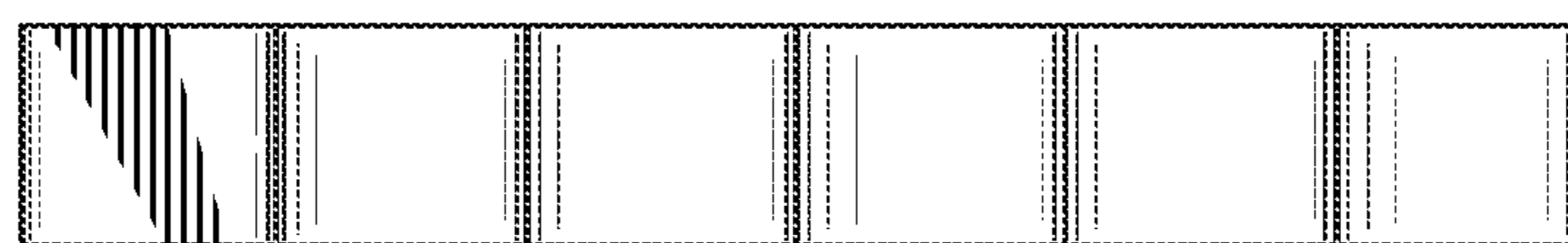


FIG. 2

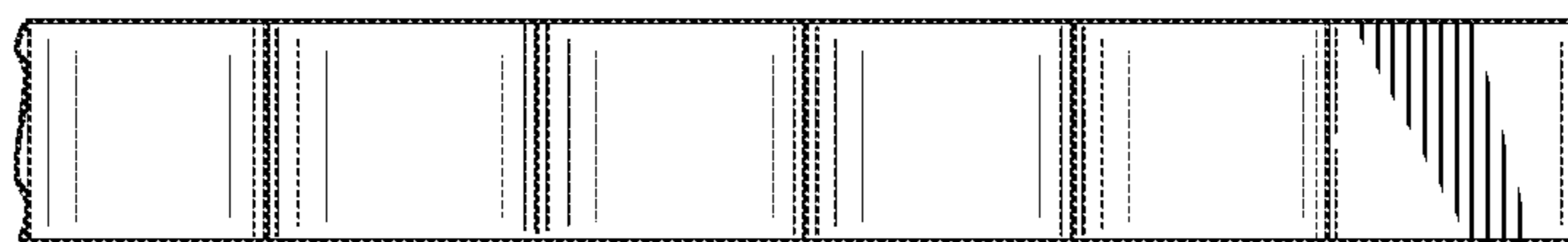


FIG. 3

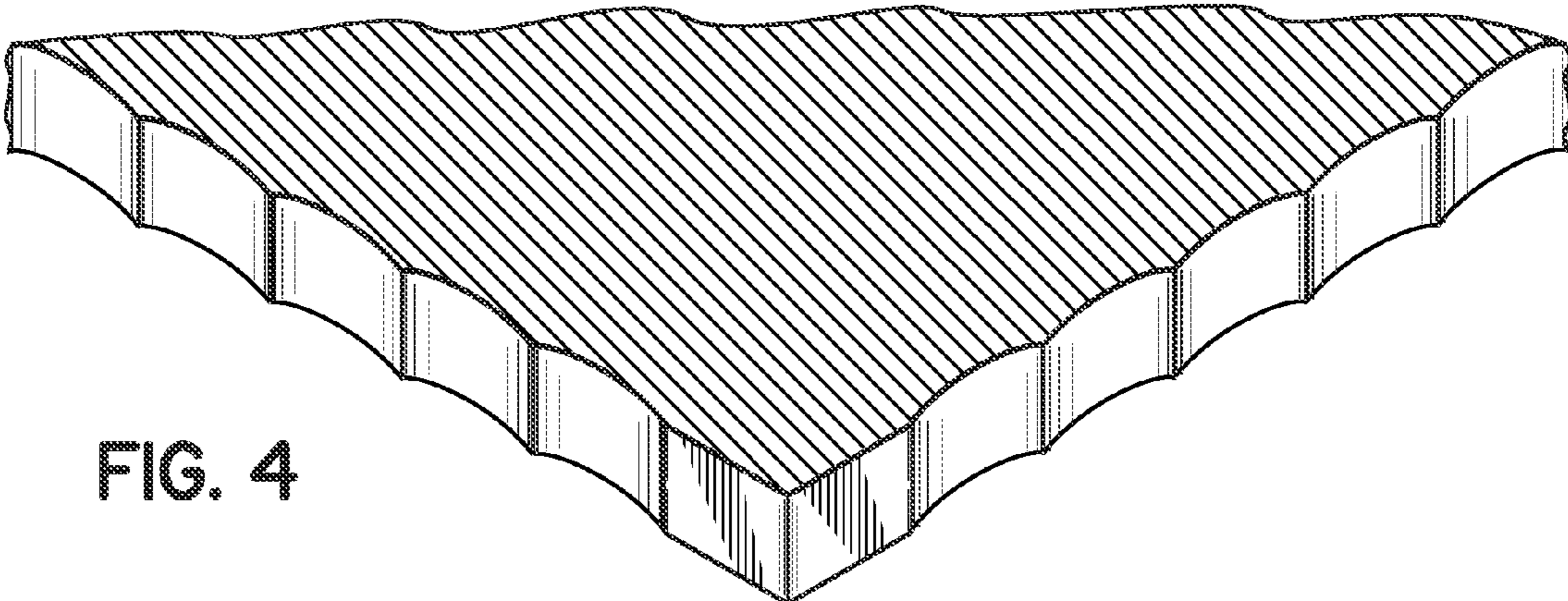


FIG. 4

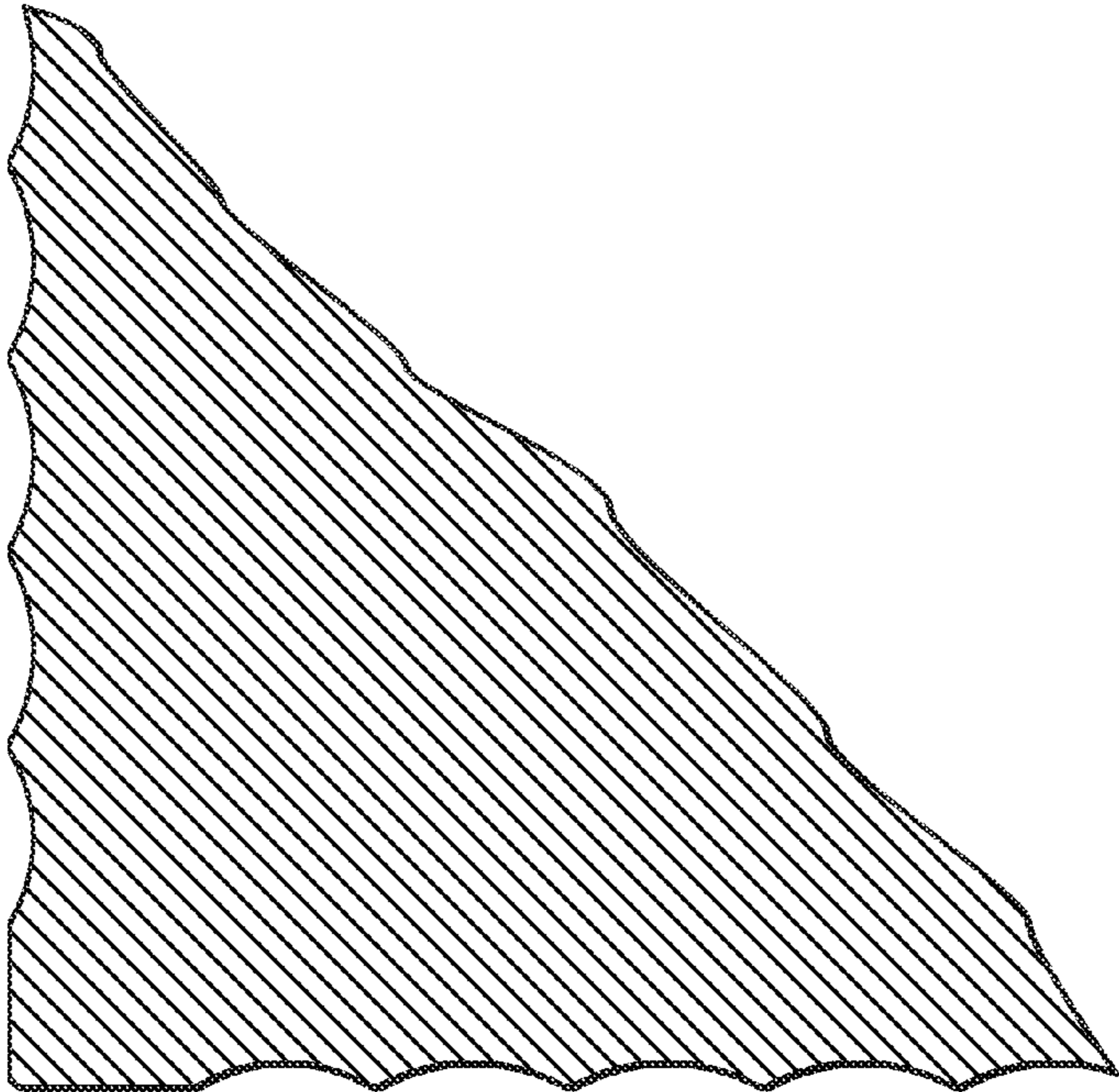


FIG. 5