



US00D564797S

(12) **United States Design Patent**  
**Yamaguchi**

(10) **Patent No.:** **US D564,797 S**

(45) **Date of Patent:** **\*\* Mar. 25, 2008**

(54) **STAND FOR TELEVISION SET**

(75) **Inventor:** **Takahiro Yamaguchi, Tokyo (JP)**

(73) **Assignee:** **Mitsubishi Electric Corporation,**  
**Tokyo (JP)**

(\*\*) **Term:** **14 Years**

(21) **Appl. No.:** **29/287,324**

(22) **Filed:** **Jul. 24, 2007**

(30) **Foreign Application Priority Data**

Apr. 11, 2007 (JP) ..... 2007-009674

(51) **LOC (8) Cl.** ..... **06-04**

(52) **U.S. Cl.** ..... **D6/477**

(58) **Field of Classification Search** ..... D6/474,  
D6/468, 477-479, 460-461; 312/7.2, 9.1;  
108/59, 96, 91-92; 211/40, 41.12, 42, 49.1,  
211/50, 85.2, 90.04, 187, 190, 87.01  
See application file for complete search history.

(56) **References Cited**

**U.S. PATENT DOCUMENTS**

D367,782 S \* 3/1996 Kazama ..... D6/474  
D414,350 S \* 9/1999 Fear et al. .... D6/426  
D459,118 S \* 6/2002 Antonioni ..... D6/477

D491,750 S \* 6/2004 Bertoncini ..... D6/474  
D508,801 S \* 8/2005 Holst ..... D6/477  
D517,350 S \* 3/2006 Sexton ..... D6/479  
D525,052 S \* 7/2006 Malizia ..... D6/474  
D535,497 S \* 1/2007 Portnoy ..... D6/477  
D540,067 S \* 4/2007 Chung ..... D6/474

\* cited by examiner

*Primary Examiner*—Elizabeth A. Albert

*Assistant Examiner*—Kelley A. Donnelly

(74) *Attorney, Agent, or Firm*—Sughrue Mion, PLLC

(57) **CLAIM**

The ornamental design for a stand for television set, as shown and described.

**DESCRIPTION**

FIG. 1 is a front, top and right side perspective view of a stand for television set, showing our new design.

FIG. 2 is a front elevational view thereof;

FIG. 3 is a rear elevational view thereof;

FIG. 4 is a left side elevational view thereof;

FIG. 5 is a right side elevational view thereof;

FIG. 6 is a top plan view thereof; and,

FIG. 7 is a bottom plan view thereof.

**1 Claim, 3 Drawing Sheets**

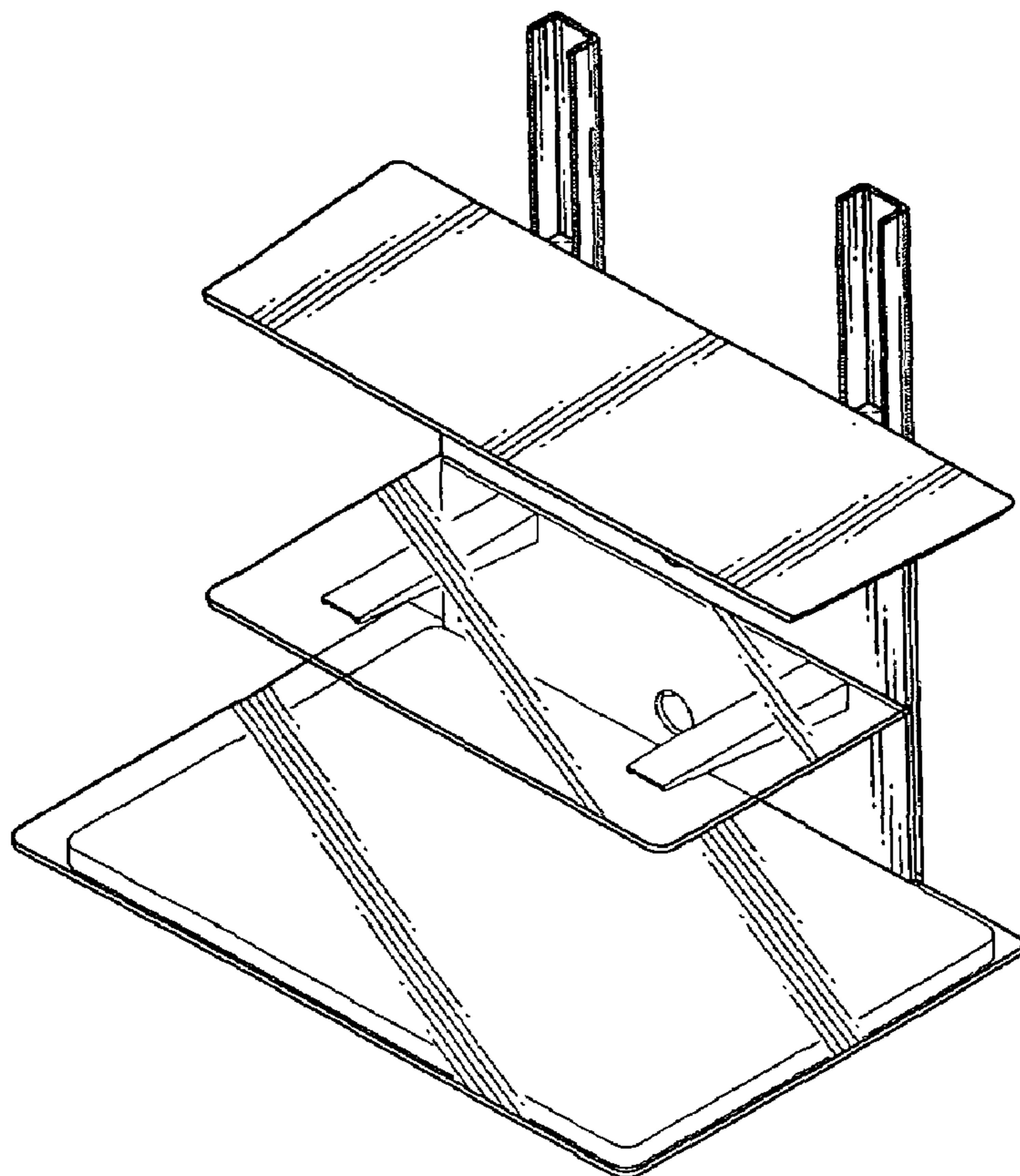


FIG.1

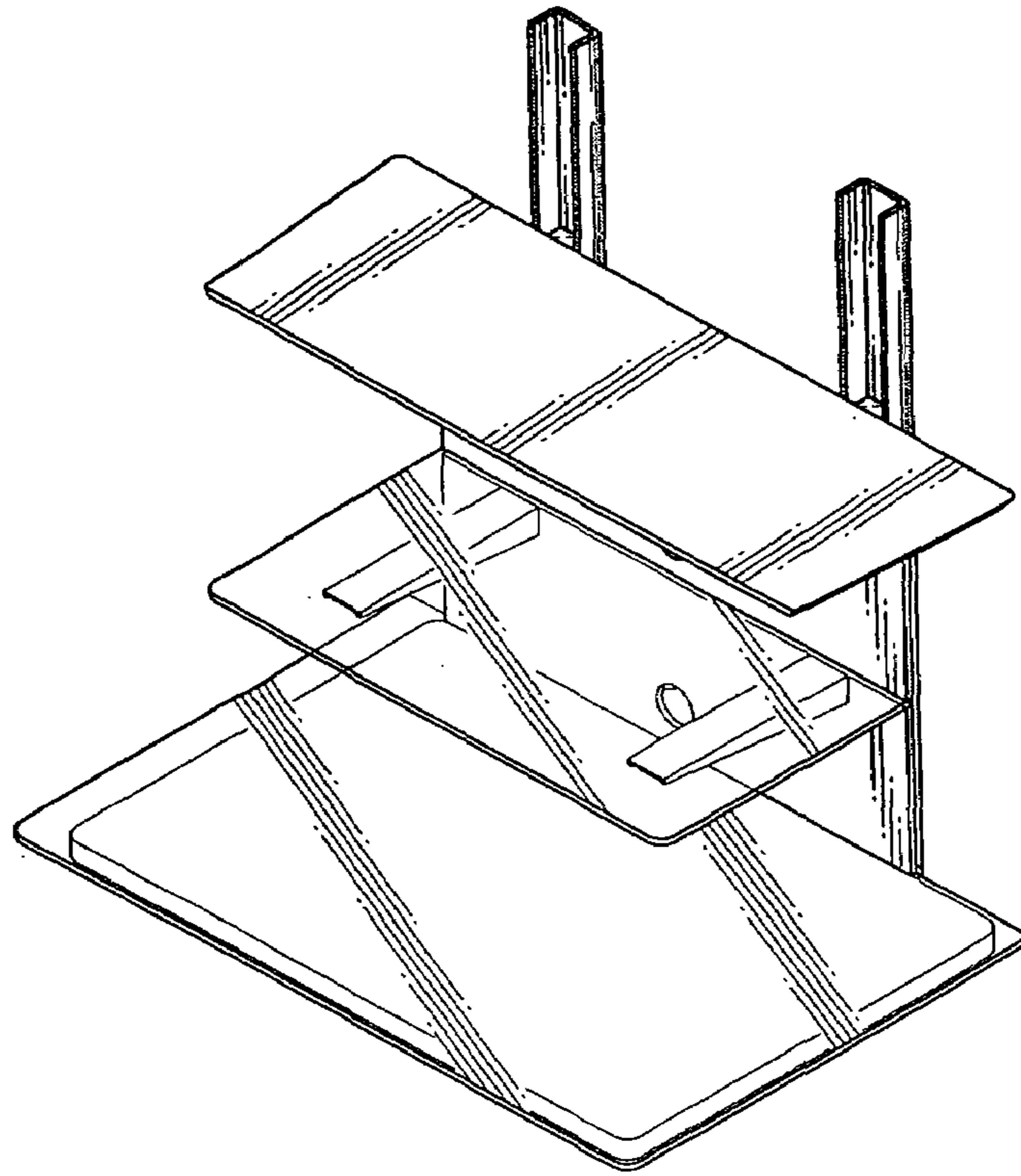


FIG.2

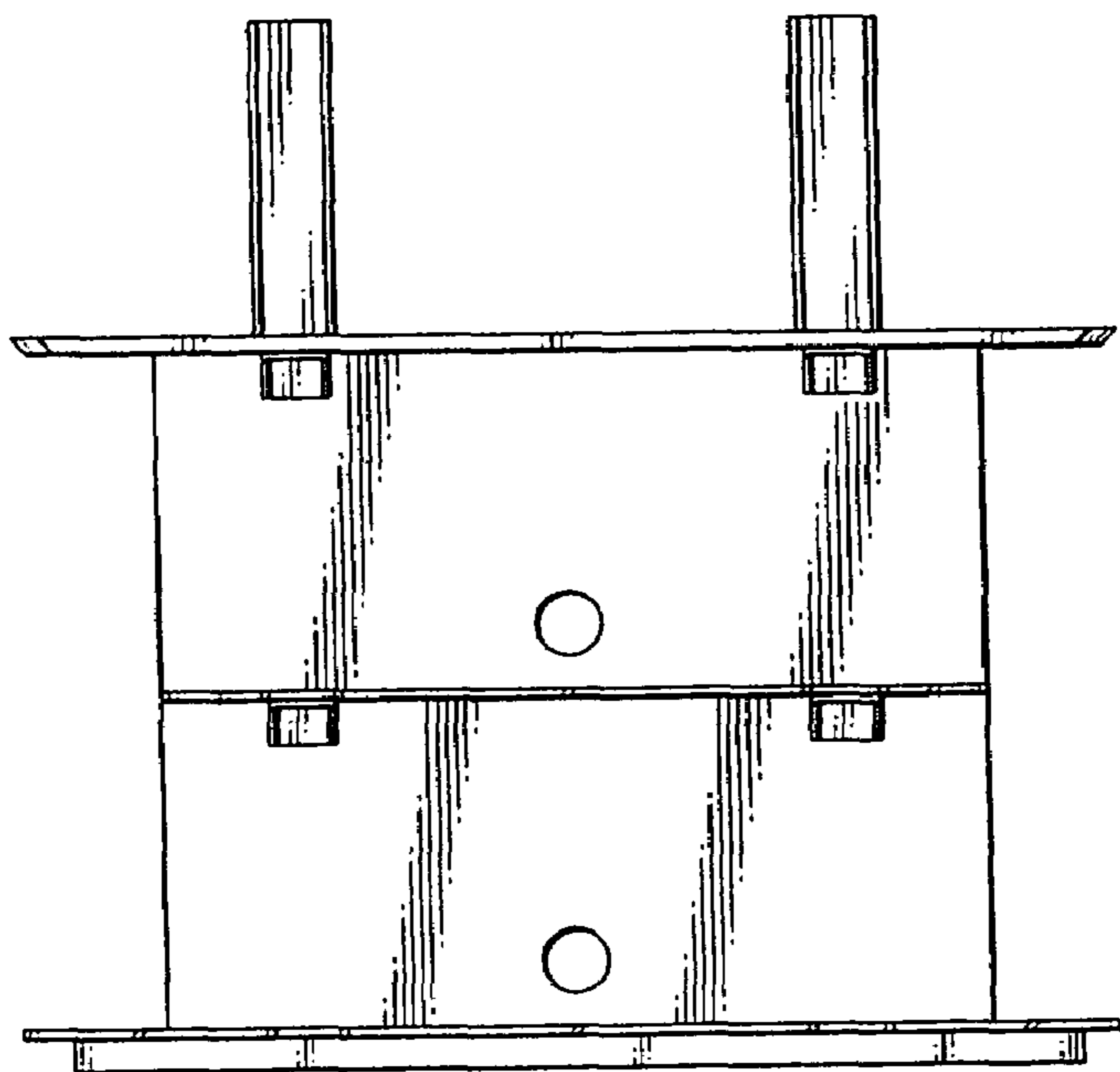


FIG.3

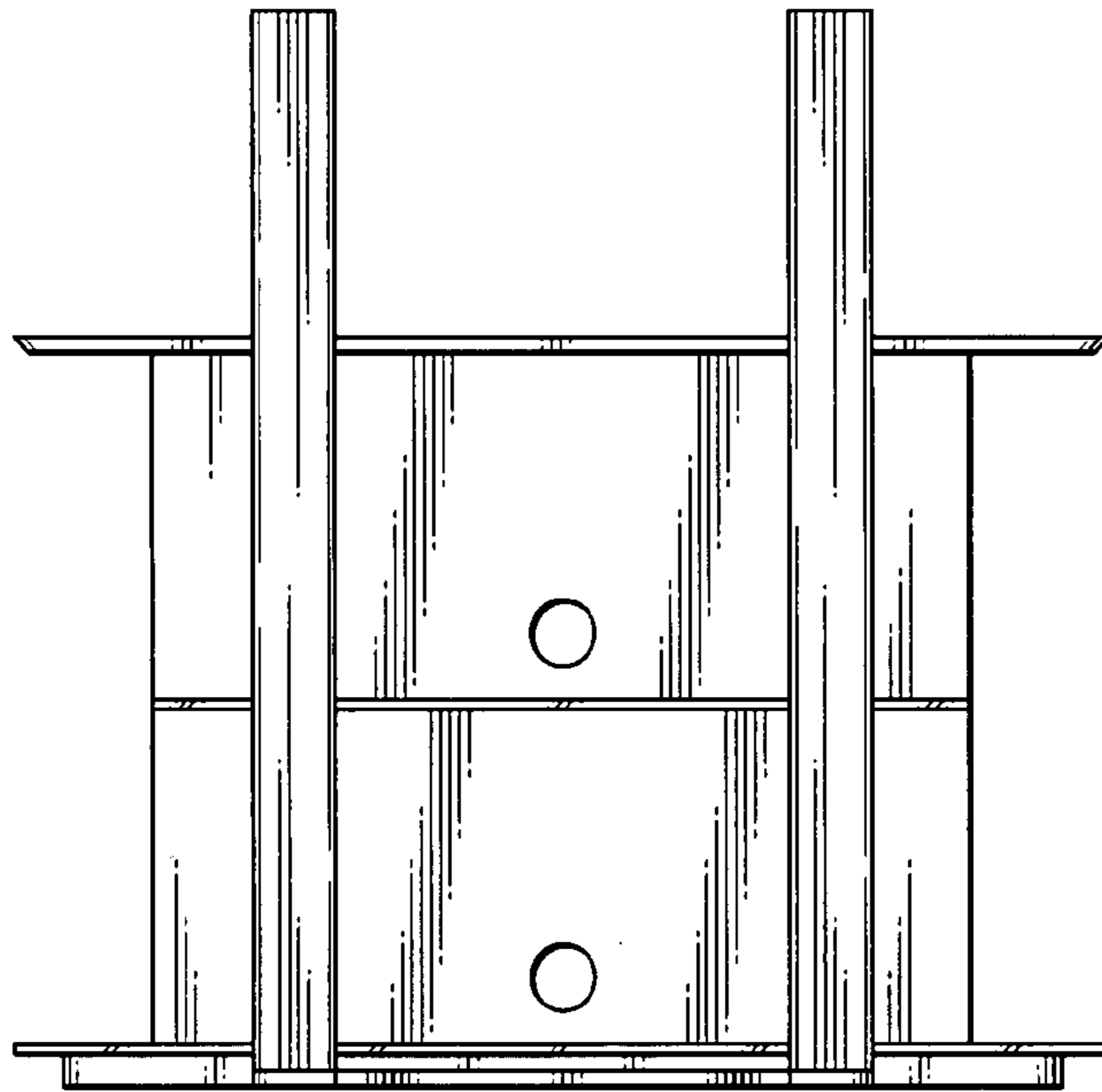


FIG.4

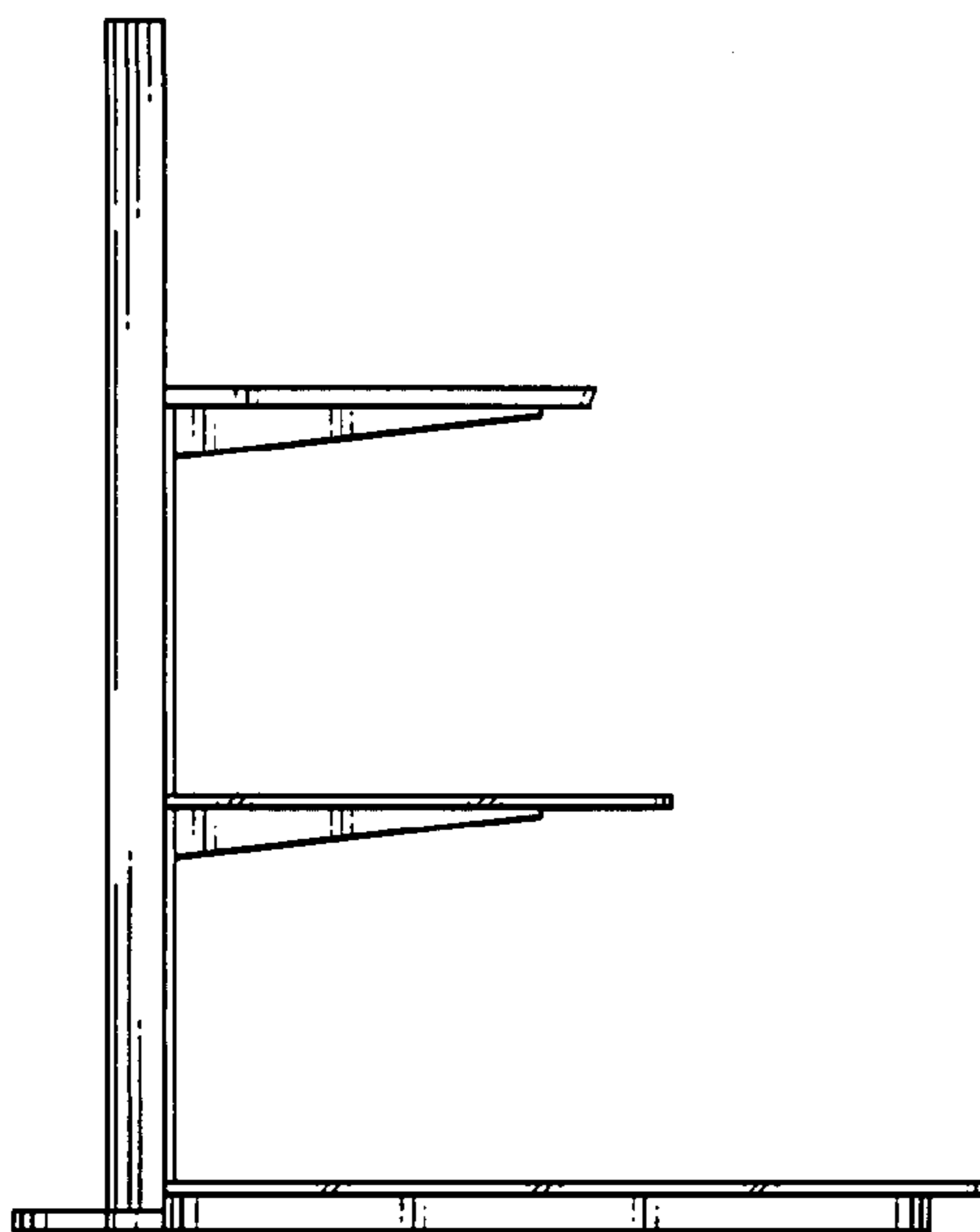


FIG.5

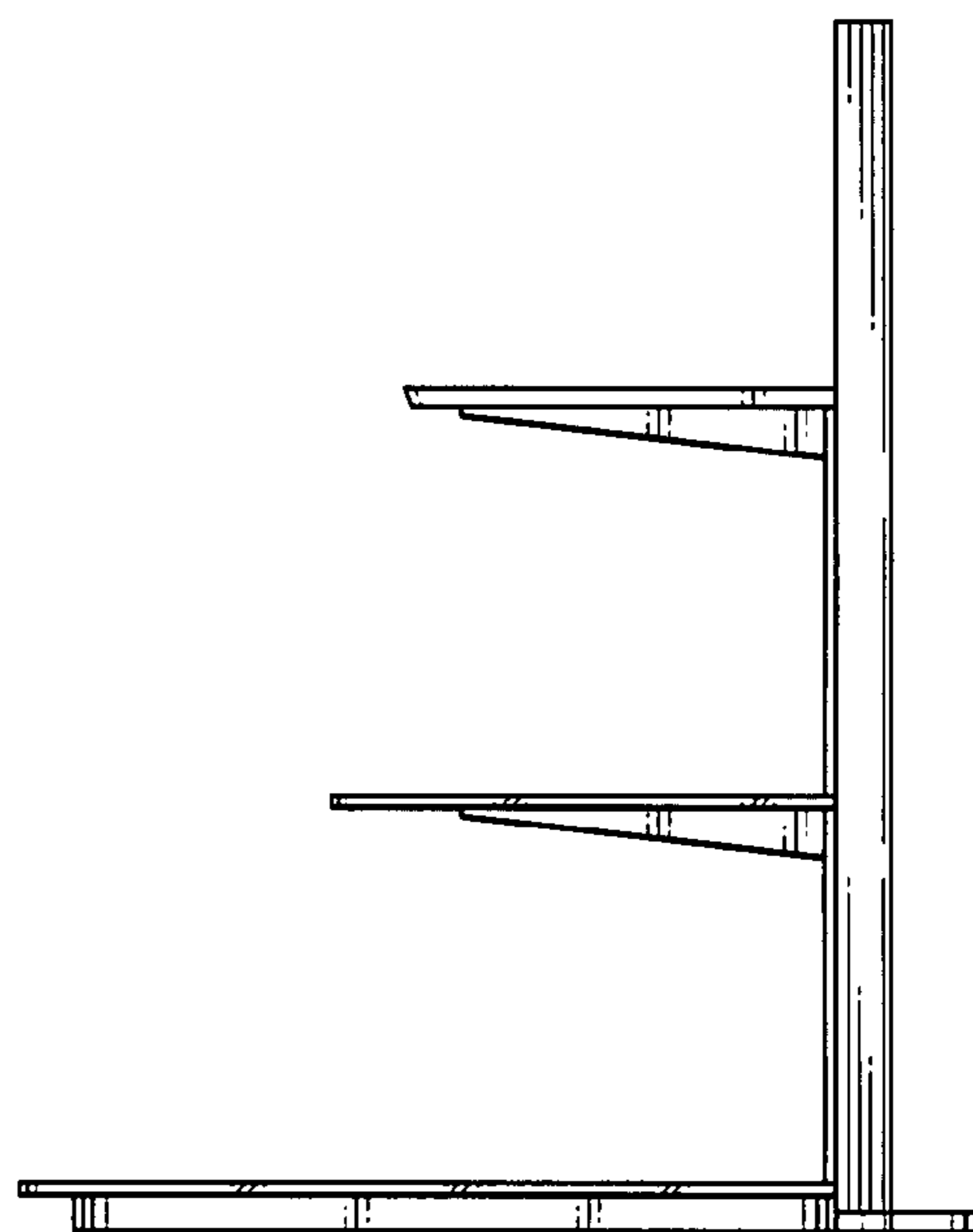


FIG.6

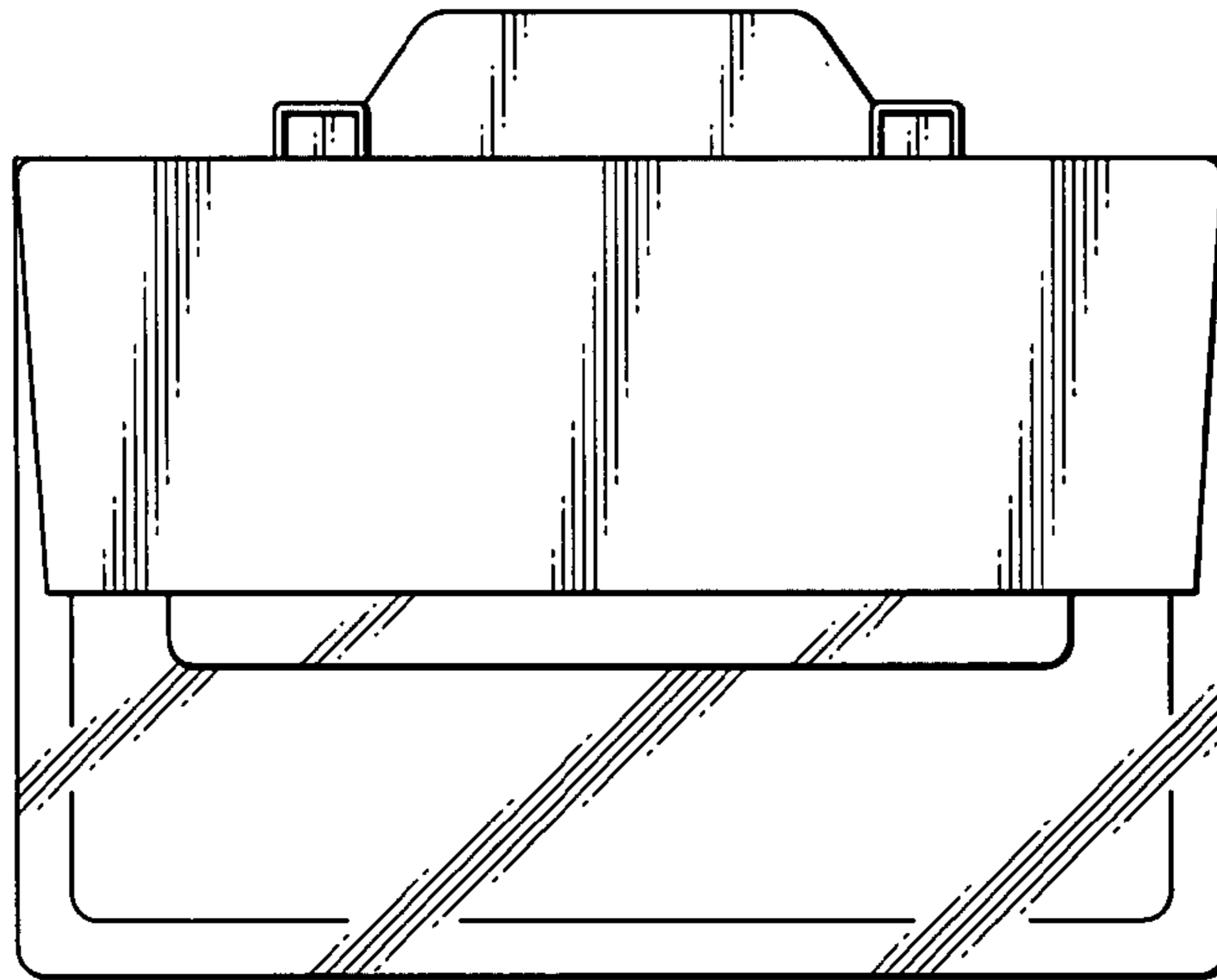


FIG.7

