



US00D564796S

(12) **United States Design Patent**
Zambelli

(10) **Patent No.:** **US D564,796 S**
(45) **Date of Patent:** **** Mar. 25, 2008**

(54) **AUDIO VIDEO SHELVING UNIT**
(75) Inventor: **Michael P. Zambelli**, Basking Ridge,
NJ (US)
(73) Assignee: **Bell'O International Corp.**,
Morganville, NJ (US)
(**) Term: **14 Years**

D508,172 S 8/2005 Malizia et al.
D515,337 S 2/2006 deCarolis
D516,838 S 3/2006 Portnoy
D516,840 S 3/2006 deCarolis
D519,757 S 5/2006 Portnoy
D524,080 S * 7/2006 Stenhouse et al. D6/479
D525,052 S 7/2006 Malizia et al.
D527,208 S 8/2006 Malizia et al.
D535,497 S 1/2007 Portnoy
D537,656 S * 3/2007 Stenhouse et al. D6/474

(21) Appl. No.: **29/286,227**

OTHER PUBLICATIONS

(22) Filed: **Apr. 27, 2007**

Bell'O Jun. 2005 International Catalog.

(51) **LOC (8) Cl.** **06-04**

* cited by examiner

(52) **U.S. Cl.** **D6/477**

Primary Examiner—Elizabeth A. Albert

(58) **Field of Classification Search** D6/477-479,
D6/460-461, 468, 474, 407; D14/239, 129,
D14/126; 108/59, 96, 91-92; 211/40, 41.12,
211/42, 49.1, 50, 85.2; 312/9.1, 9.2, 46,
312/9.64, 9.8, 7.2

Assistant Examiner—Kelley A. Donnelly

(74) *Attorney, Agent, or Firm*—Lerner, David, Littenberg,
Krumholz & Mentlik, LLP

See application file for complete search history.

(57) **CLAIM**

(56) **References Cited**

The ornamental design for audio video shelving unit, as
shown and described.

U.S. PATENT DOCUMENTS

DESCRIPTION

D458,053 S * 6/2002 Luong D6/477
D472,073 S 3/2003 de Carolis
D472,074 S 3/2003 de Carolis
D472,075 S 3/2003 de Carolis
D489,548 S 5/2004 Malizia et al.
D491,748 S 6/2004 deCarolis
D491,749 S 6/2004 Malizia et al.
D491,750 S 6/2004 Bertoncini et al.
D491,753 S 6/2004 deCarolis
D492,860 S 7/2004 Bertoncini et al.
D493,982 S 8/2004 deCarolis
D496,807 S 10/2004 deCarolis
D497,061 S 10/2004 Decarolis
D505,573 S 5/2005 Malizia
D507,433 S 7/2005 Portnoy
D507,900 S * 8/2005 Sexton D6/474

FIG. 1 is a front perspective view of the subject audio video
shelving unit;

FIG. 2 is a front side view thereof;

FIG. 3 is a rear view thereof;

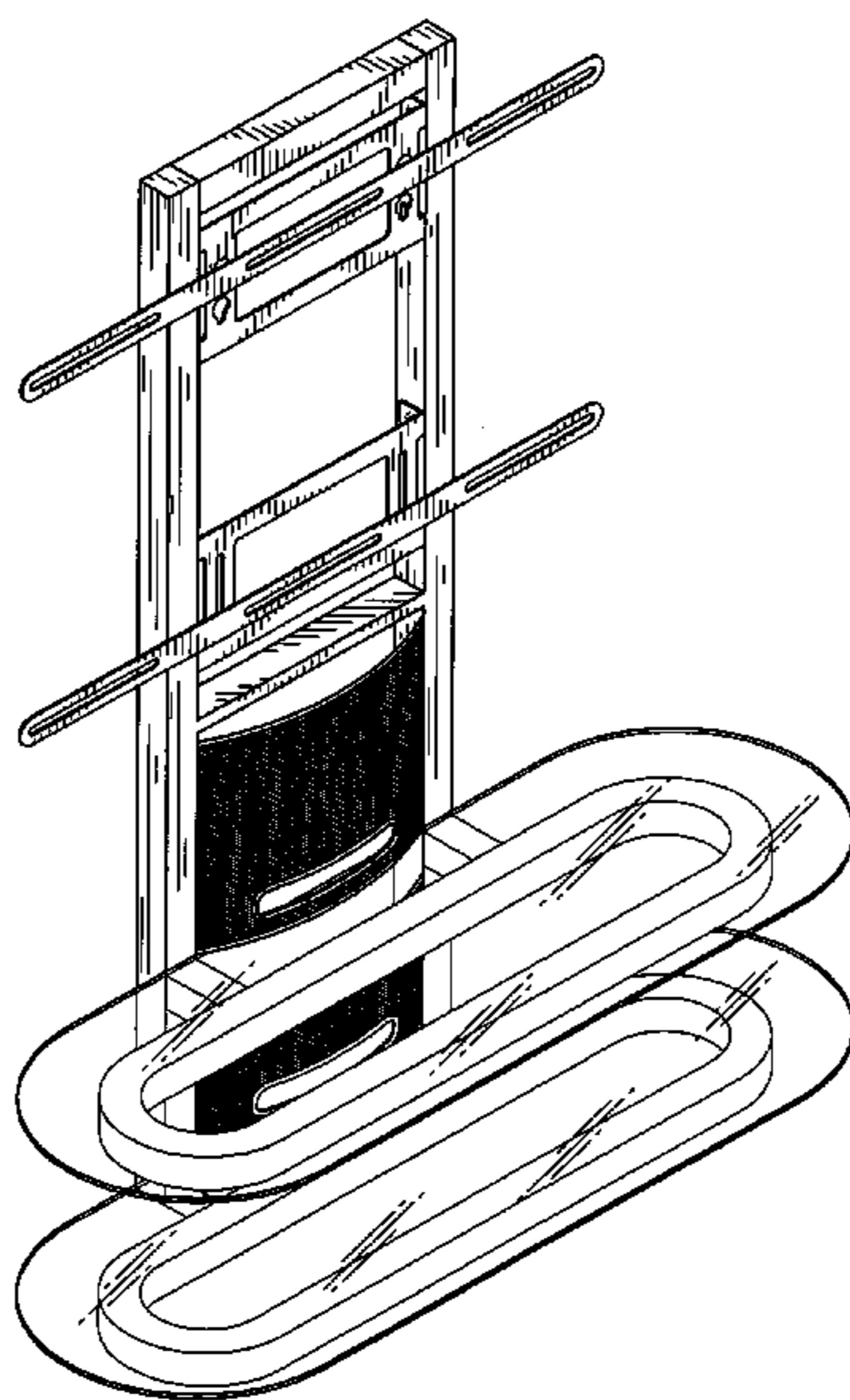
FIG. 4 is a top plan view thereof;

FIG. 5 is a right side view thereof (the left side view is a
mirror image of the right side view);

FIG. 6 is a front perspective view of a second embodiment
of the subject audio video shelving unit; and,

FIG. 7 is a top plan view of the second embodiment.

1 Claim, 7 Drawing Sheets



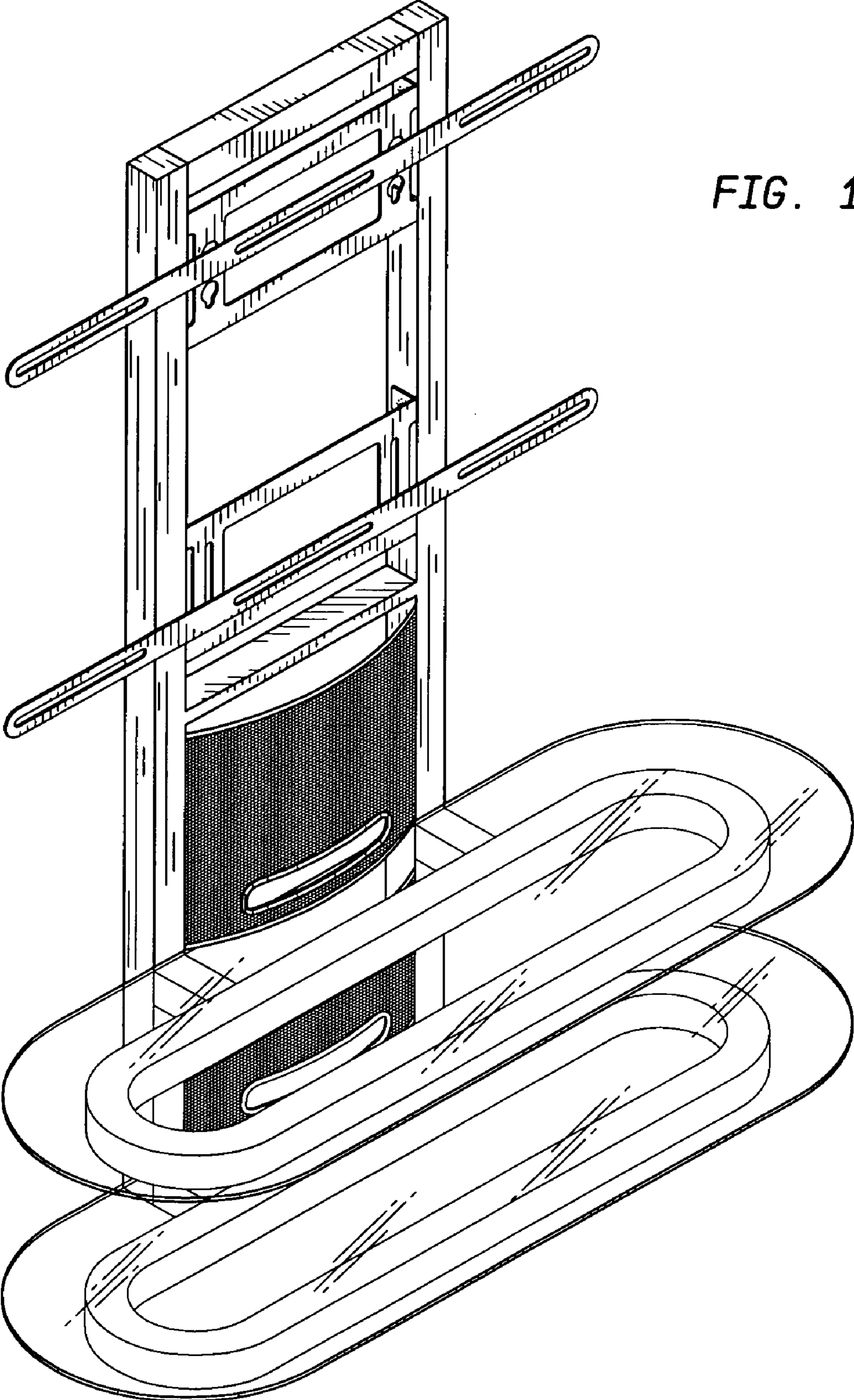


FIG. 1

FIG. 2

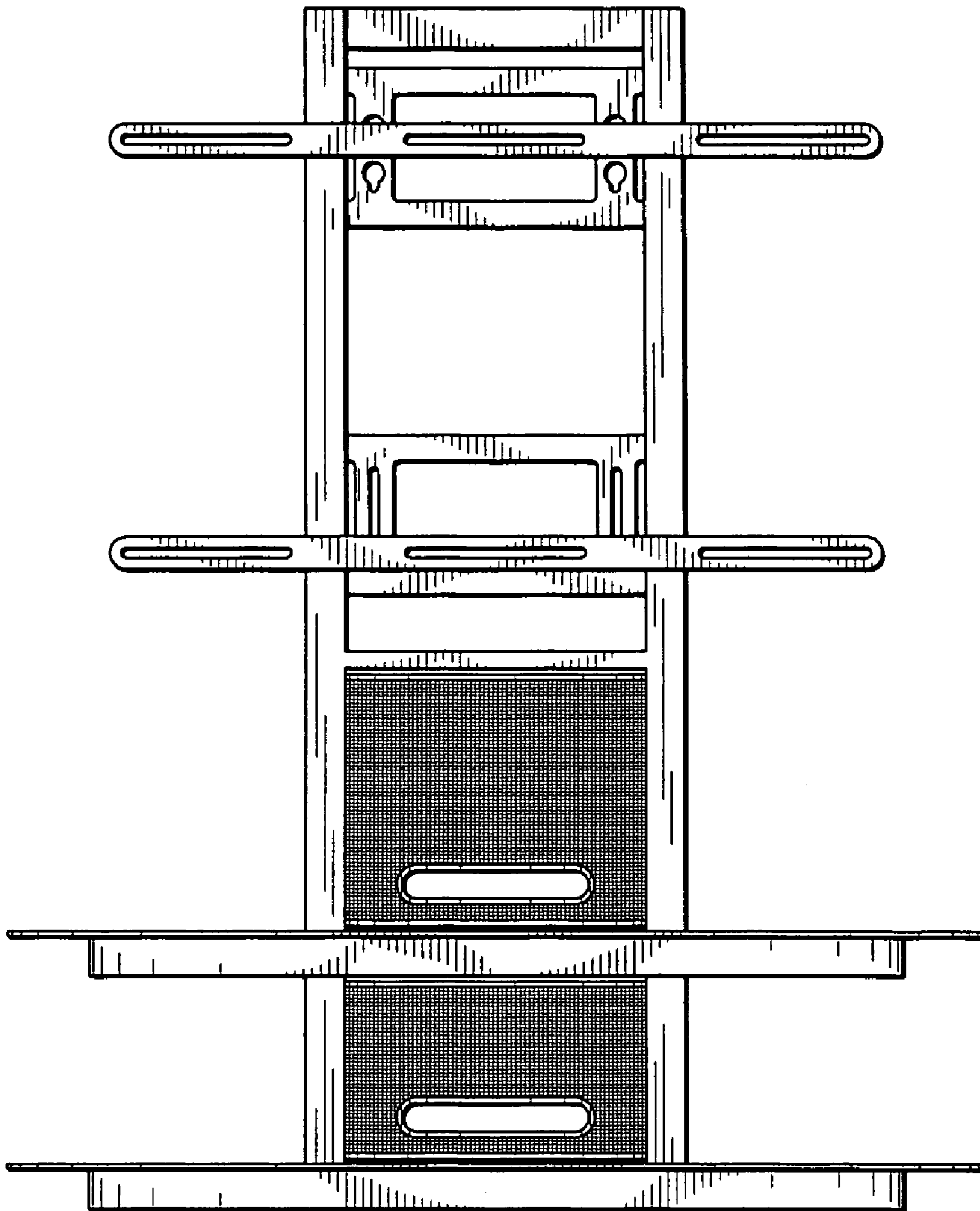


FIG. 3

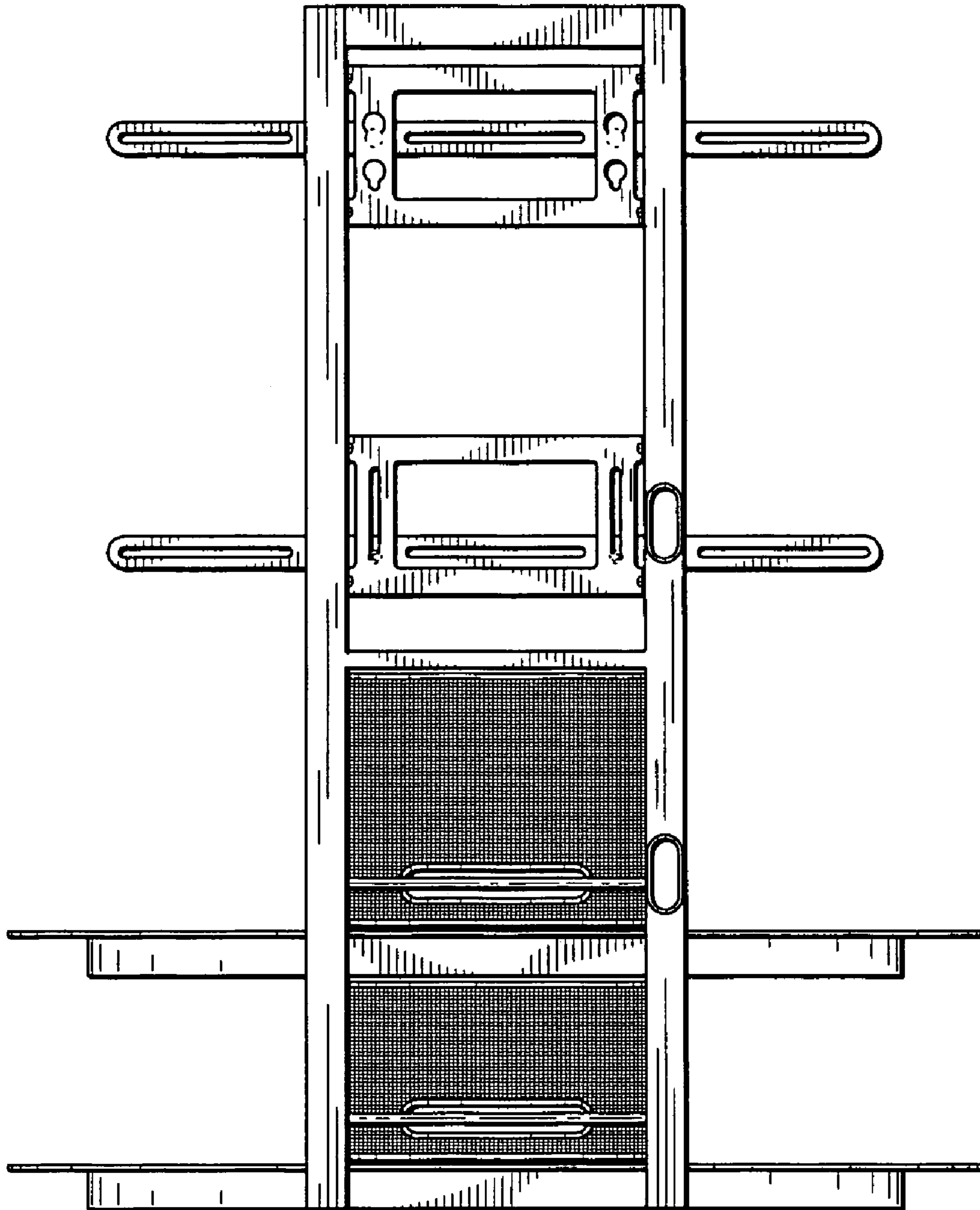


FIG. 4

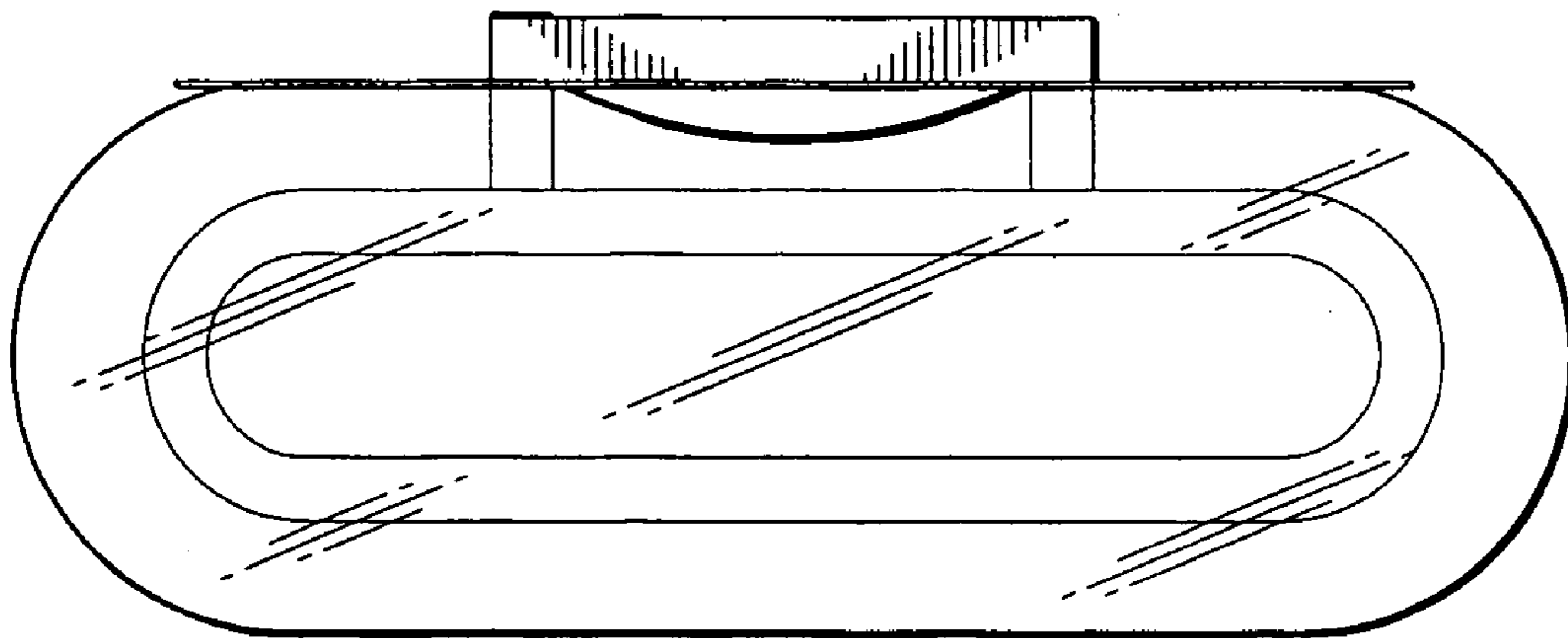


FIG. 5



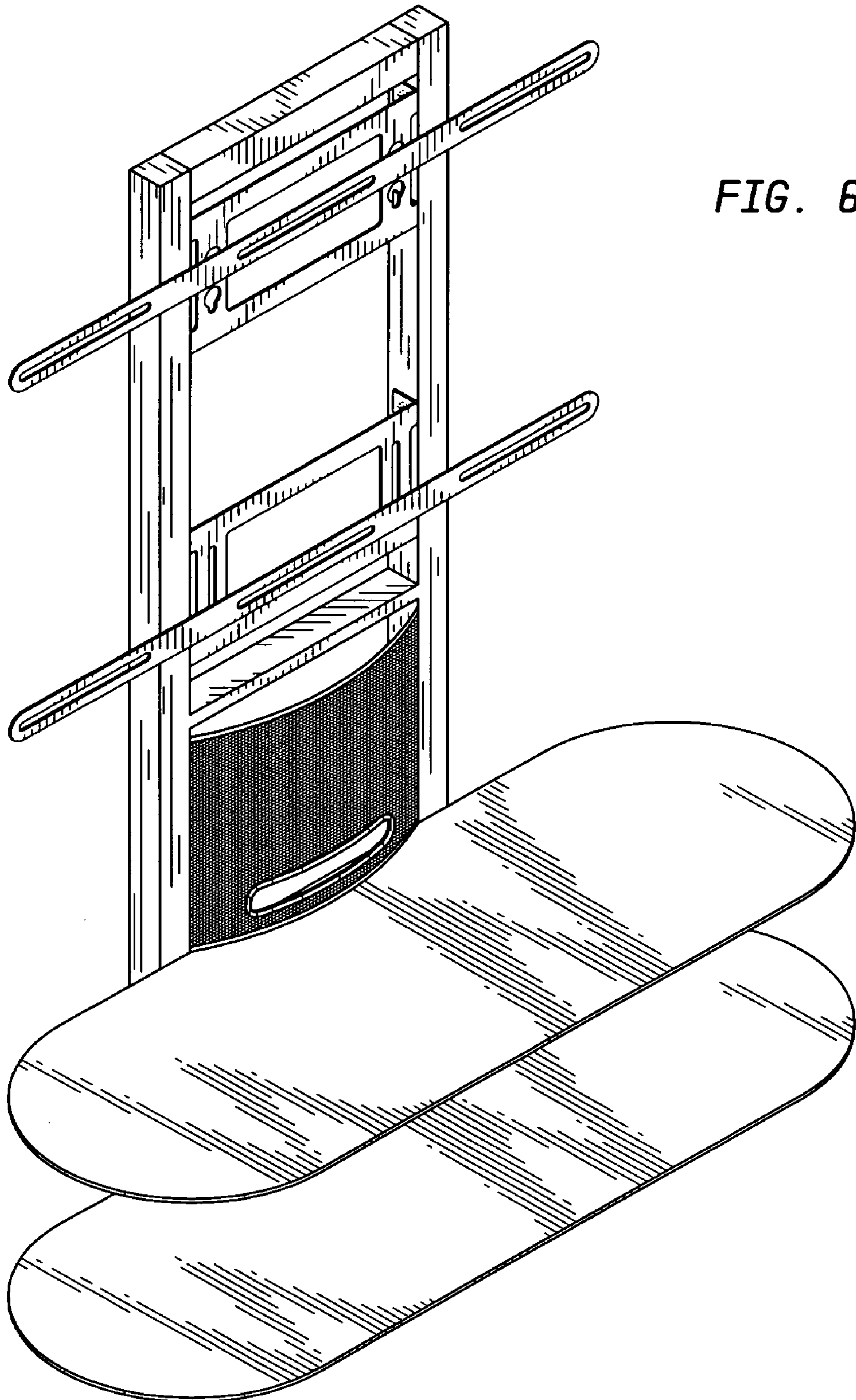


FIG. 6

FIG. 7

