



(12) **United States Design Patent**
Thompson

(10) **Patent No.:** **US D564,782 S**
(45) **Date of Patent:** **** Mar. 25, 2008**

- (54) **TABLE**
- (75) Inventor: **David W. Thompson**, New Albany, OH (US)
- (73) Assignee: **American Signature, Inc.**, Columbus, OH (US)
- (**) Term: **14 Years**
- (21) Appl. No.: **29/258,335**
- (22) Filed: **Apr. 20, 2006**
- (51) **LOC (8) Cl.** **06-03**
- (52) **U.S. Cl.** **D6/430; D6/484; D6/436**
- (58) **Field of Classification Search** D6/480-489, D6/429-431, 511, 436, 495-499; 108/63, 108/77, 67-70, 153.1, 155, 161, 157.1
See application file for complete search history.

(56) **References Cited**

U.S. PATENT DOCUMENTS

D79,962 S *	11/1929	Gommesen	D6/448
D82,622 S *	11/1930	Pauli	D6/436
2,273,006 A *	2/1942	Carlson	108/63
2,680,661 A *	6/1954	Bremer	108/63
4,646,654 A *	3/1987	Sullivan	108/69
D341,506 S *	11/1993	Nourse	D6/480
6,041,722 A *	3/2000	Baker	108/77
D455,912 S *	4/2002	McDaniel et al.	D6/432
D457,748 S *	5/2002	Wistehuff, Sr.	D6/436

* cited by examiner

Primary Examiner—Janice E. Seeger

(74) *Attorney, Agent, or Firm*—Wood, Herron & Evans L.L.P.

(57) **CLAIM**

The ornamental design for a table, as shown and described.

DESCRIPTION

FIG. 1 is a front elevational view of a table incorporating my new design, showing the leaves folded;

FIG. 2 is a right-side elevational view thereof, with the left elevational view thereof being a mirror image;

FIG. 3 is a rear elevational view thereof;

FIG. 4 is a left-side elevational view thereof;

FIG. 5 is a top plan view thereof;

FIG. 6 is a bottom plan view thereof;

FIG. 7 is a front elevational view thereof, showing the leaves in their unfolded position;

FIG. 8 is a right-side elevational view thereof;

FIG. 9 is a rear elevational view thereof;

FIG. 10 is a left-side elevational view thereof;

FIG. 11 is a top plan view thereof; and

FIG. 12 is a bottom plan view thereof.

FIG. 13 is a front elevational view of a table incorporating my new design, showing the table top rotated about a vertical axis 90° from that depicted in FIG. 7, and the leaves in their unfolded position;

FIG. 14 is a right-side elevational view thereof;

FIG. 15 is a rear elevational view thereof;

FIG. 16 is a left-side elevational view thereof;

FIG. 17 is a top plan view thereof; and

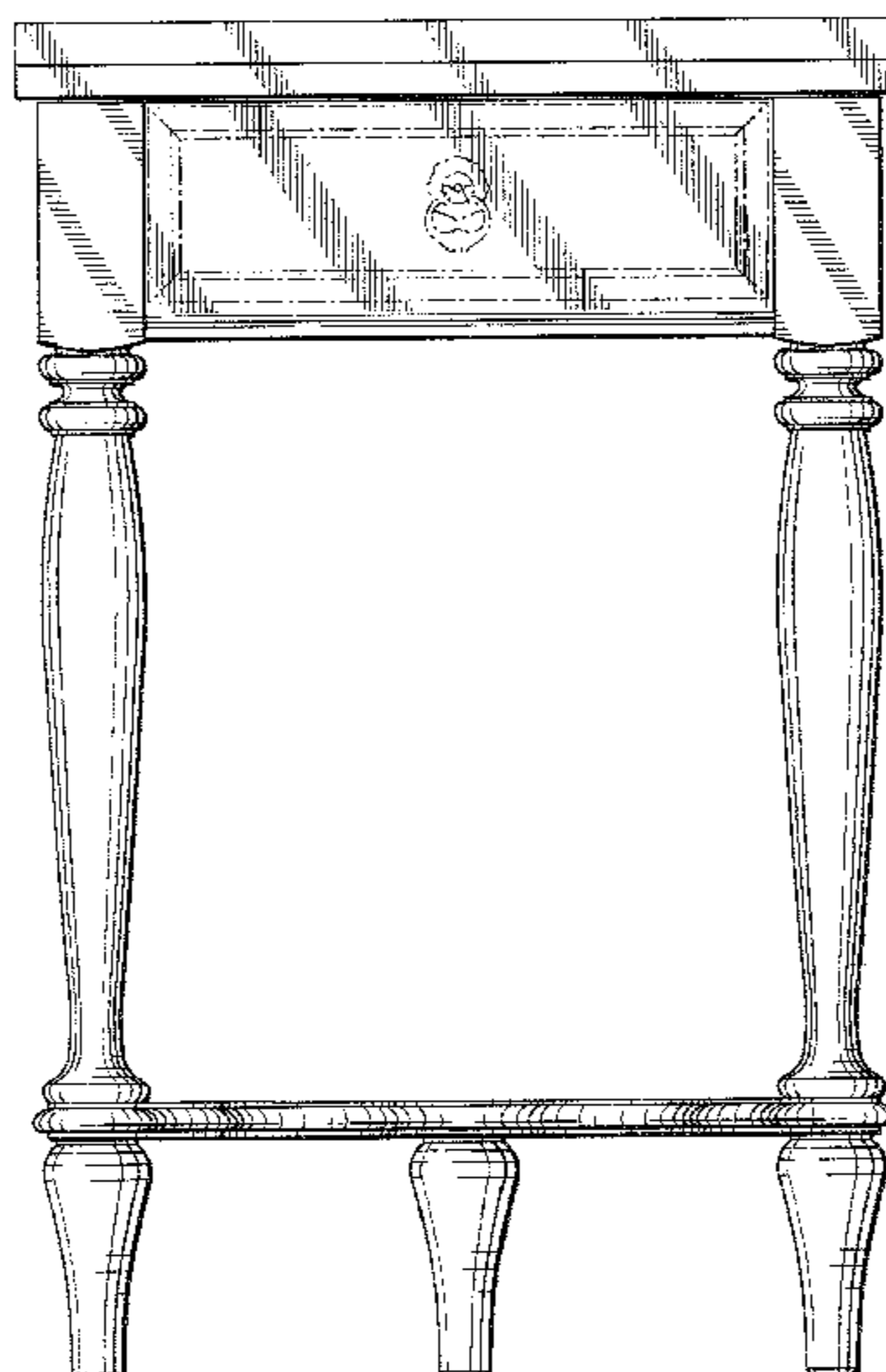
FIG. 18 is a bottom plan view thereof; and,

FIG. 19 is a top plan view of the stretcher portion of the table, shown separately for convenience of illustration.

The broken lines depicted in FIGS. 1, 7, and 13 show the drawer pull environment and form no part of the claimed design.

The broken lines depicted showing the drawer are for environmental purposes only and form no part of the claimed design.

1 Claim, 16 Drawing Sheets



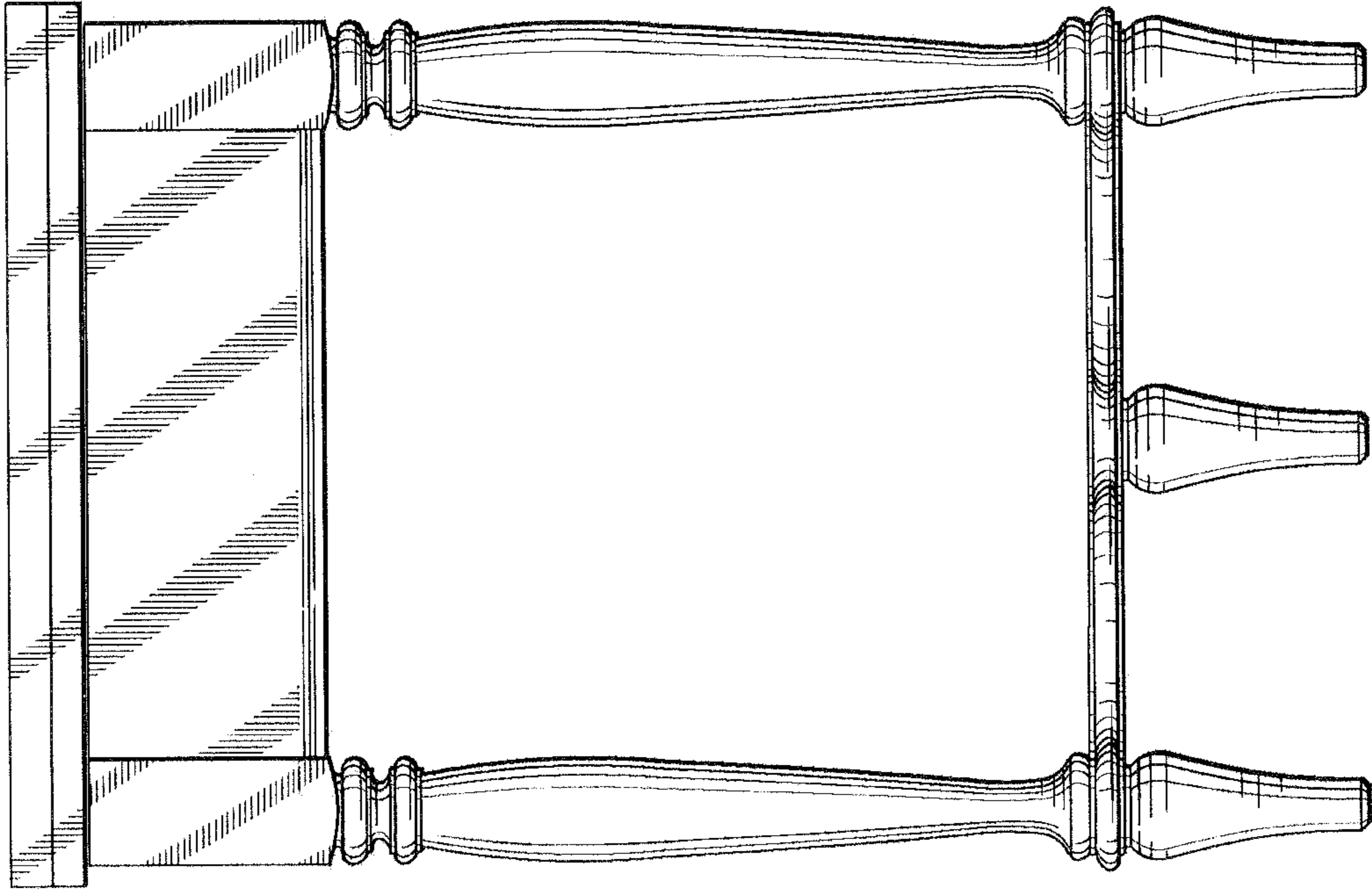


FIG. 2

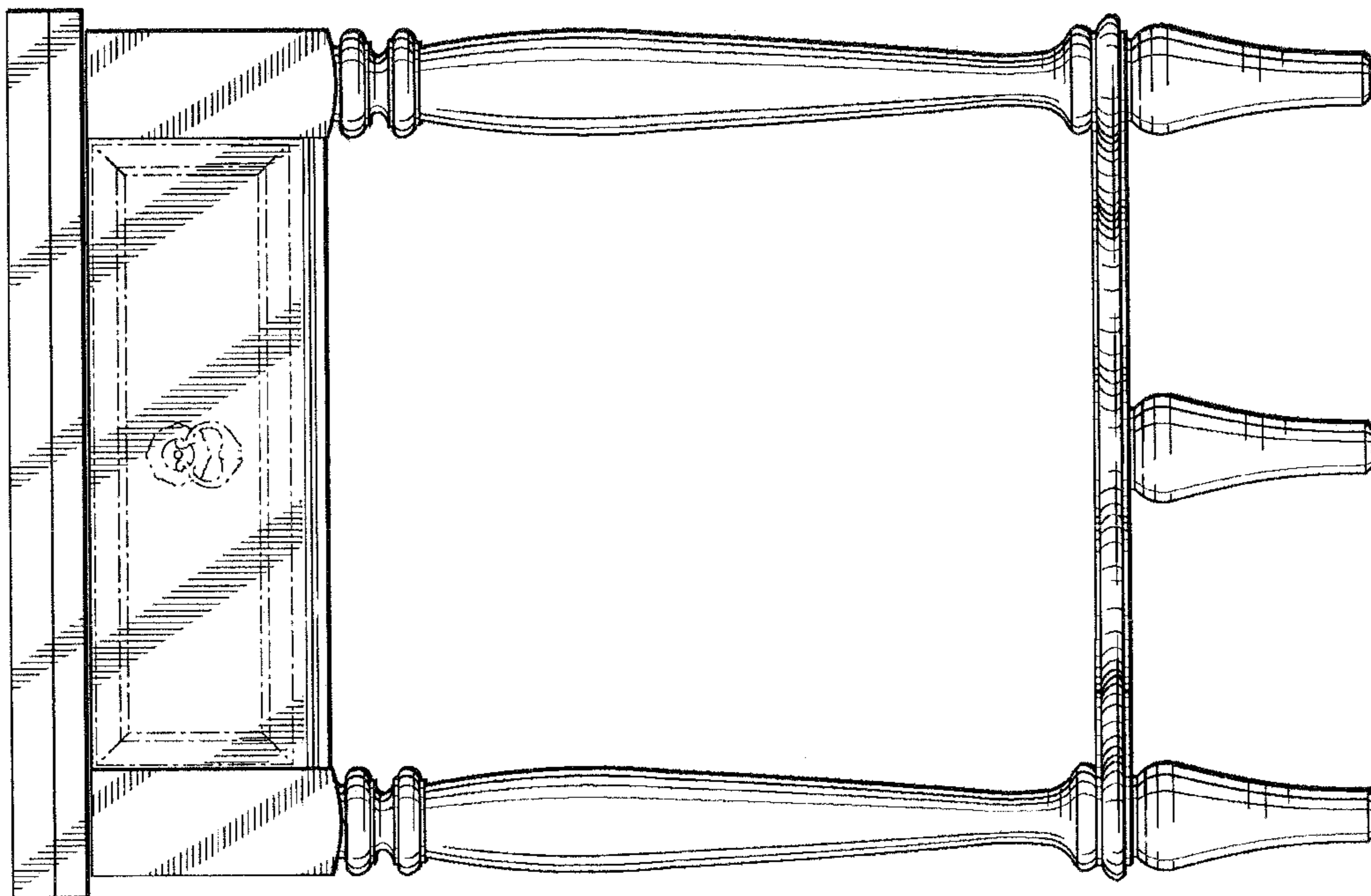


FIG. 1

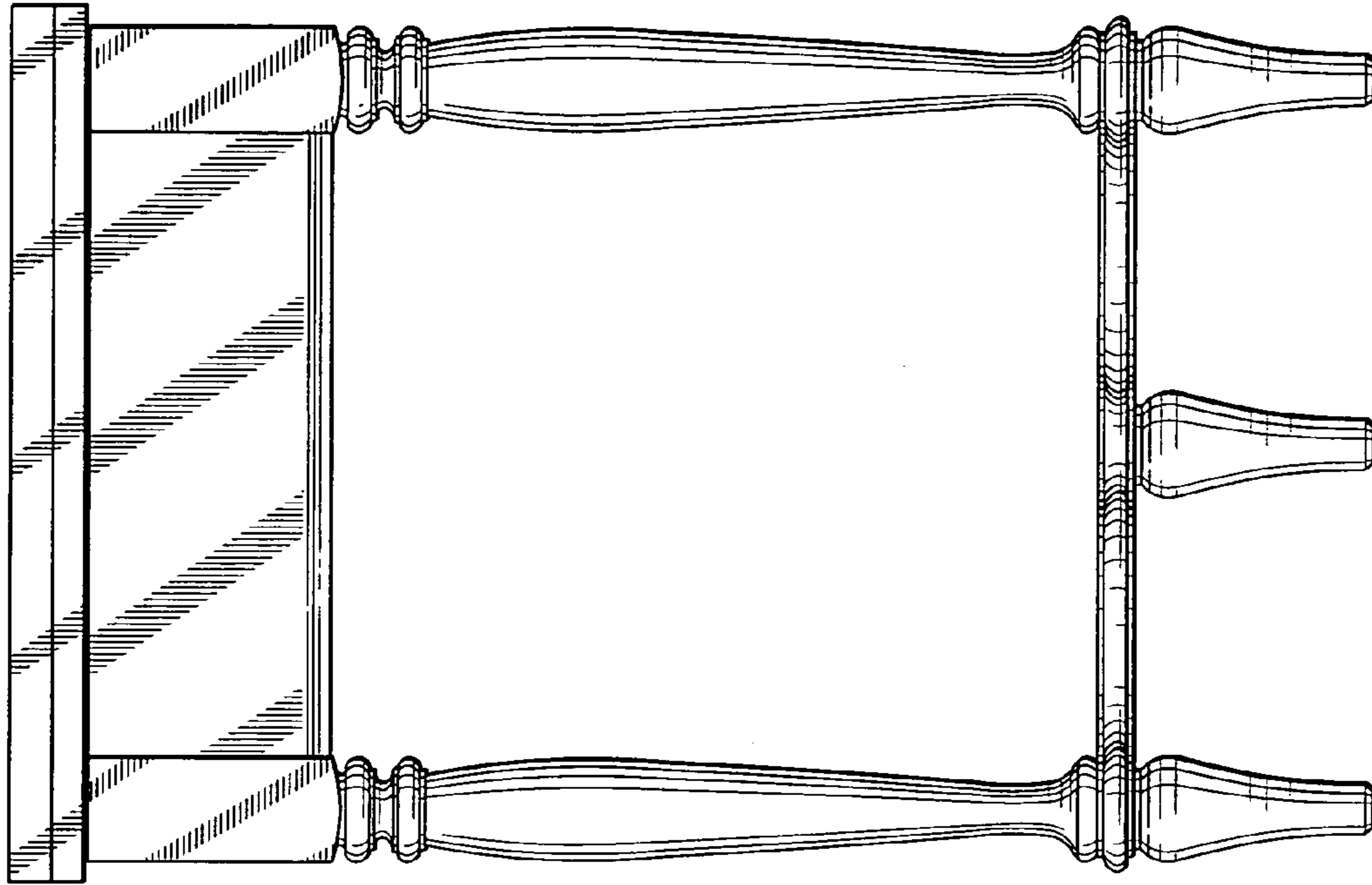


FIG. 4

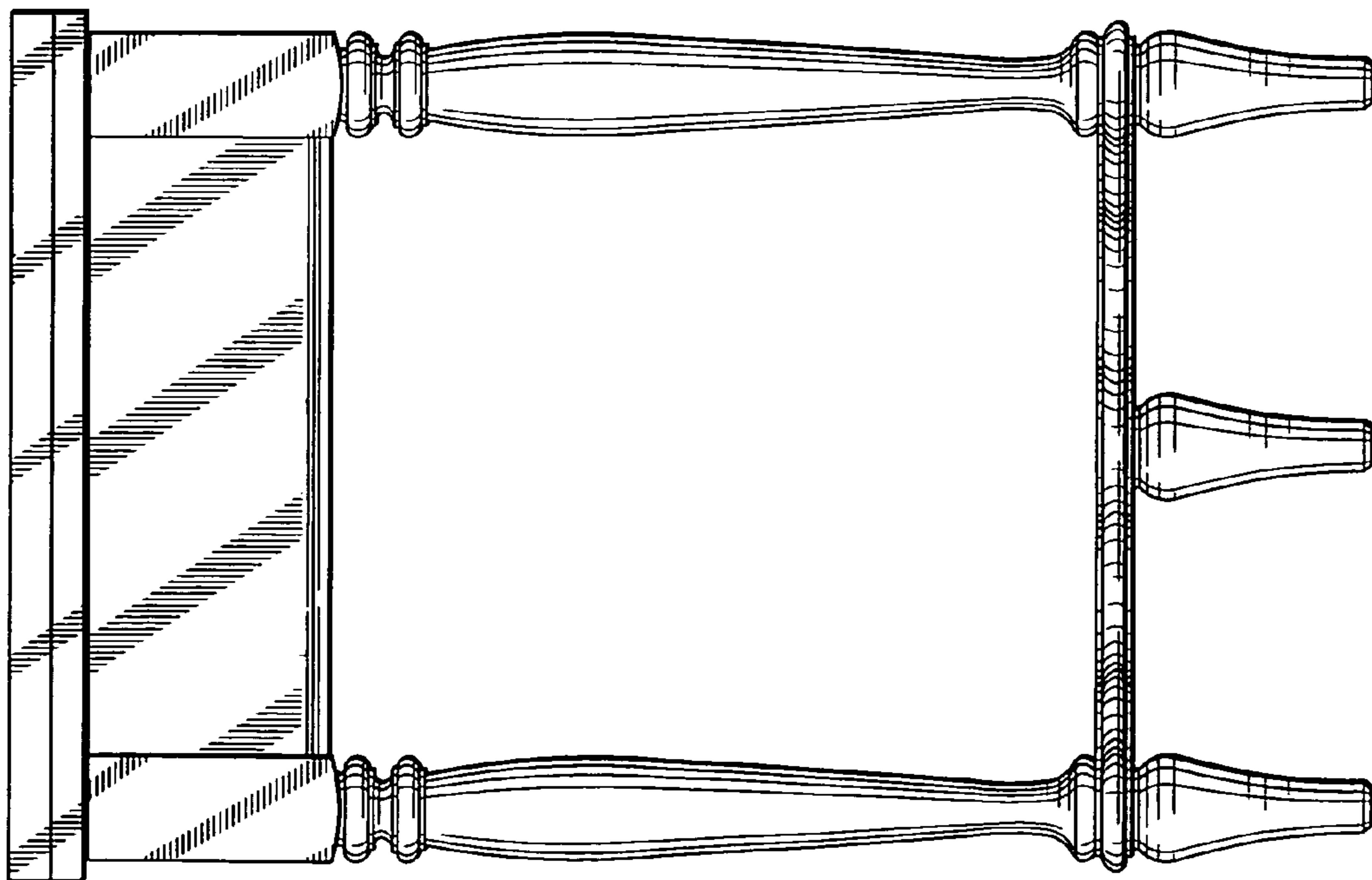


FIG. 3

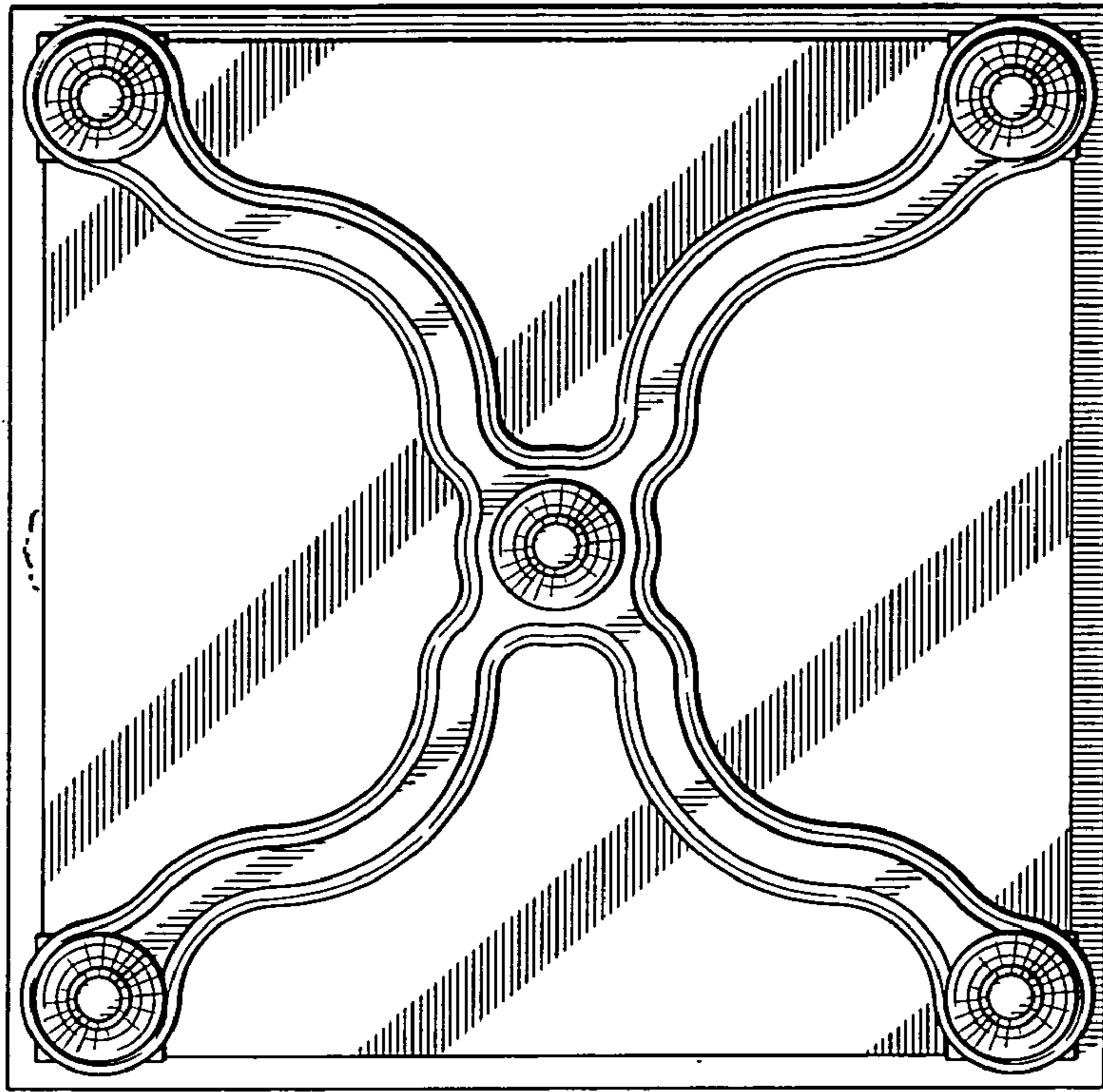


FIG. 6

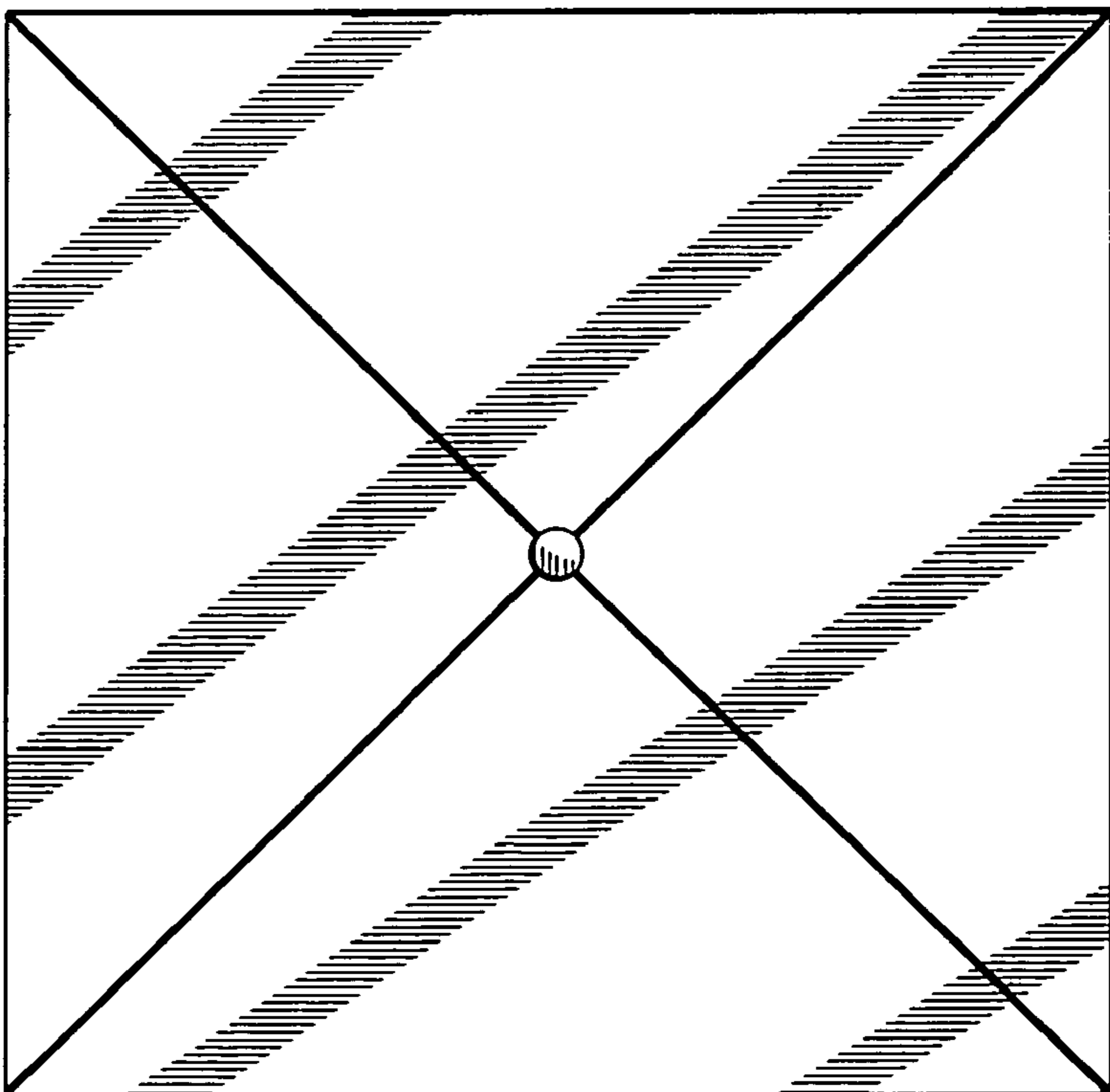


FIG. 5

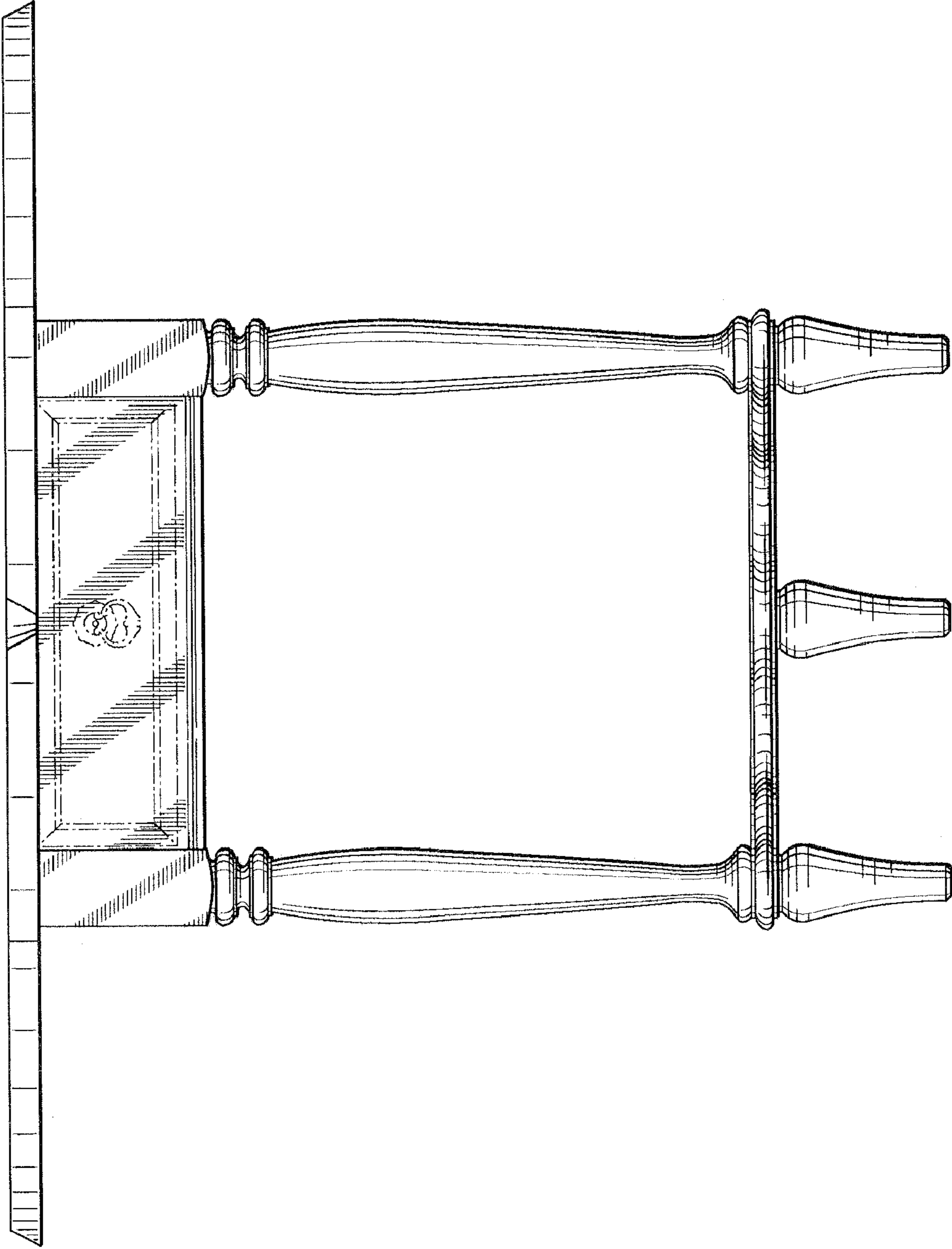


FIG. 7

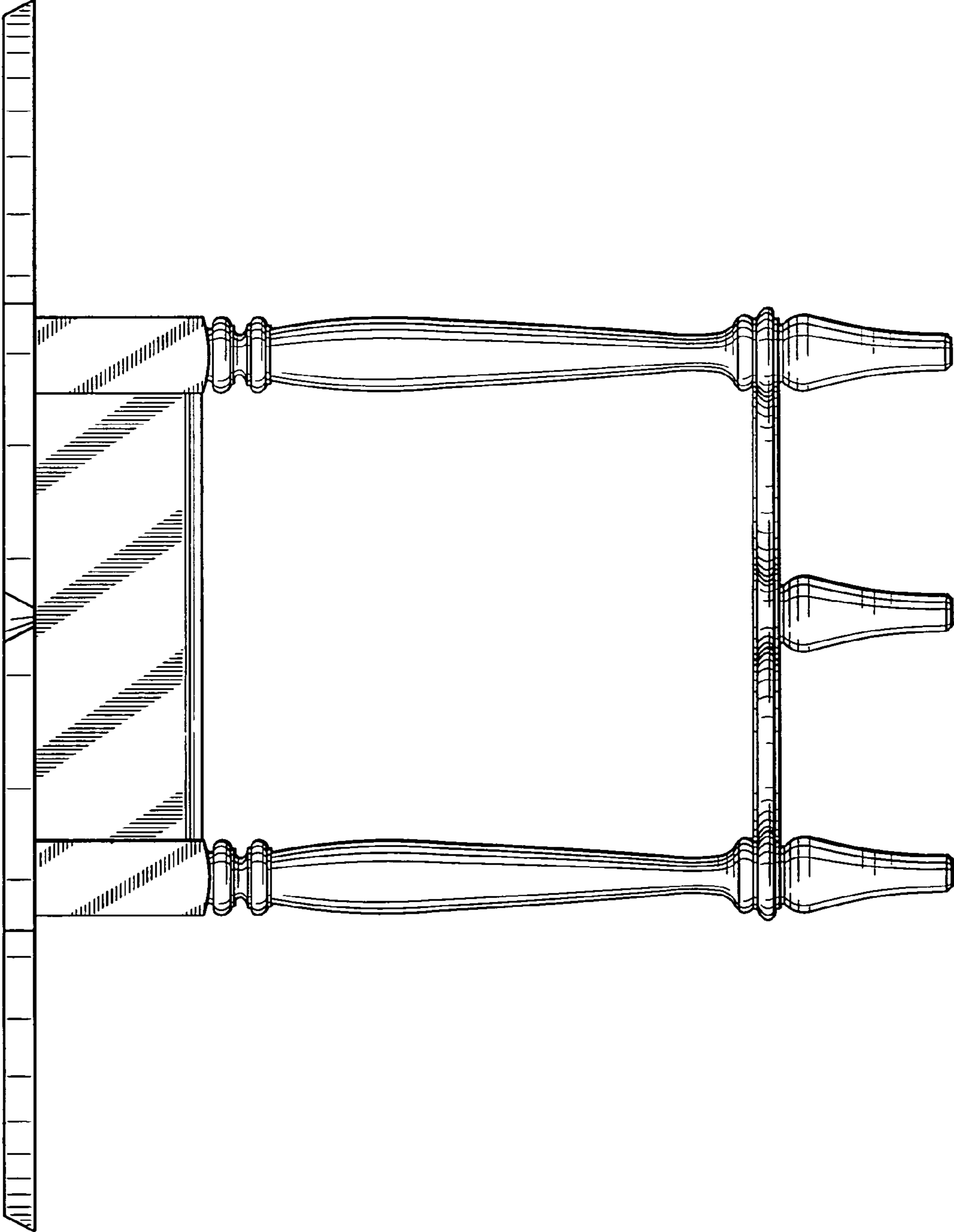


FIG. 8

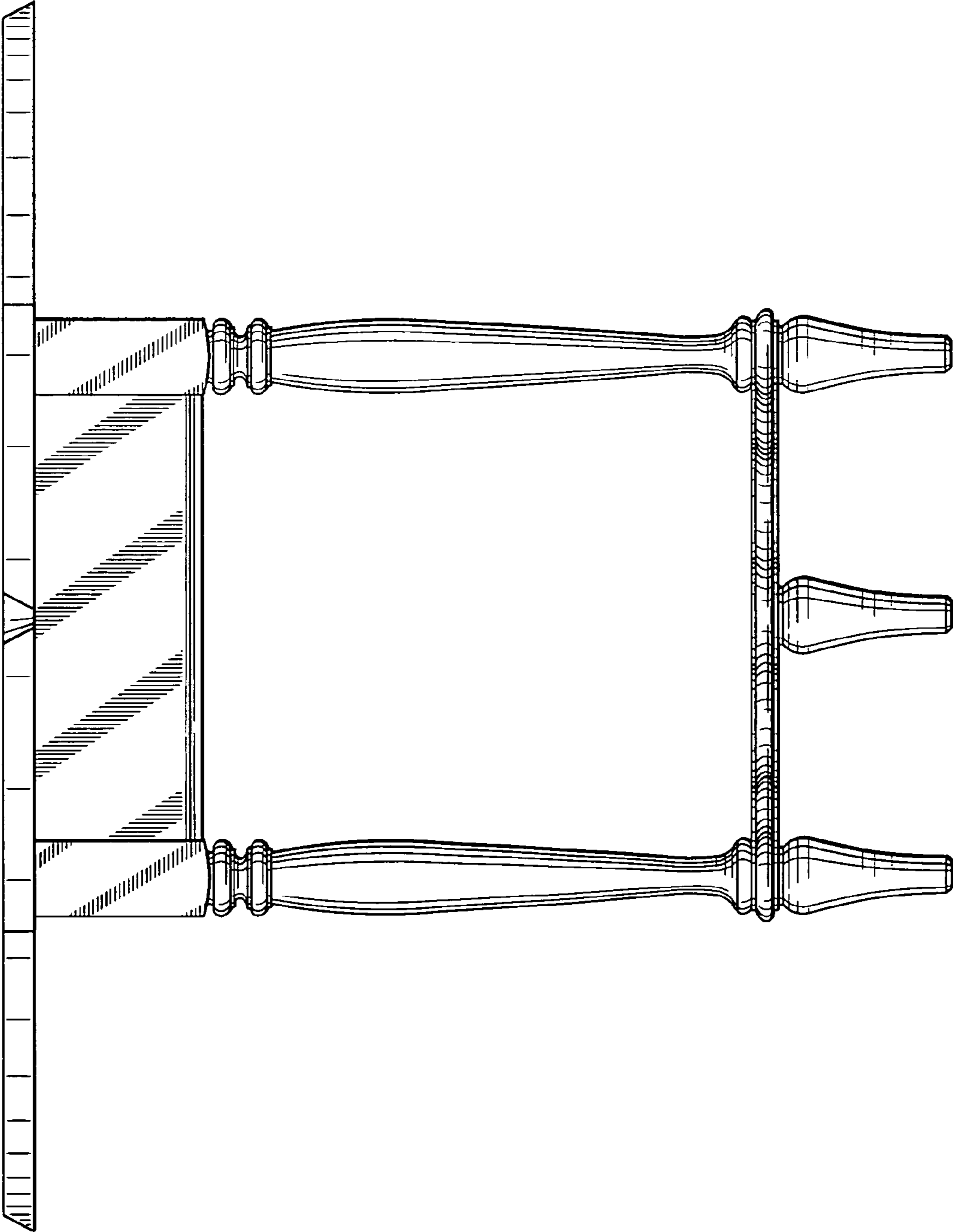


FIG. 9

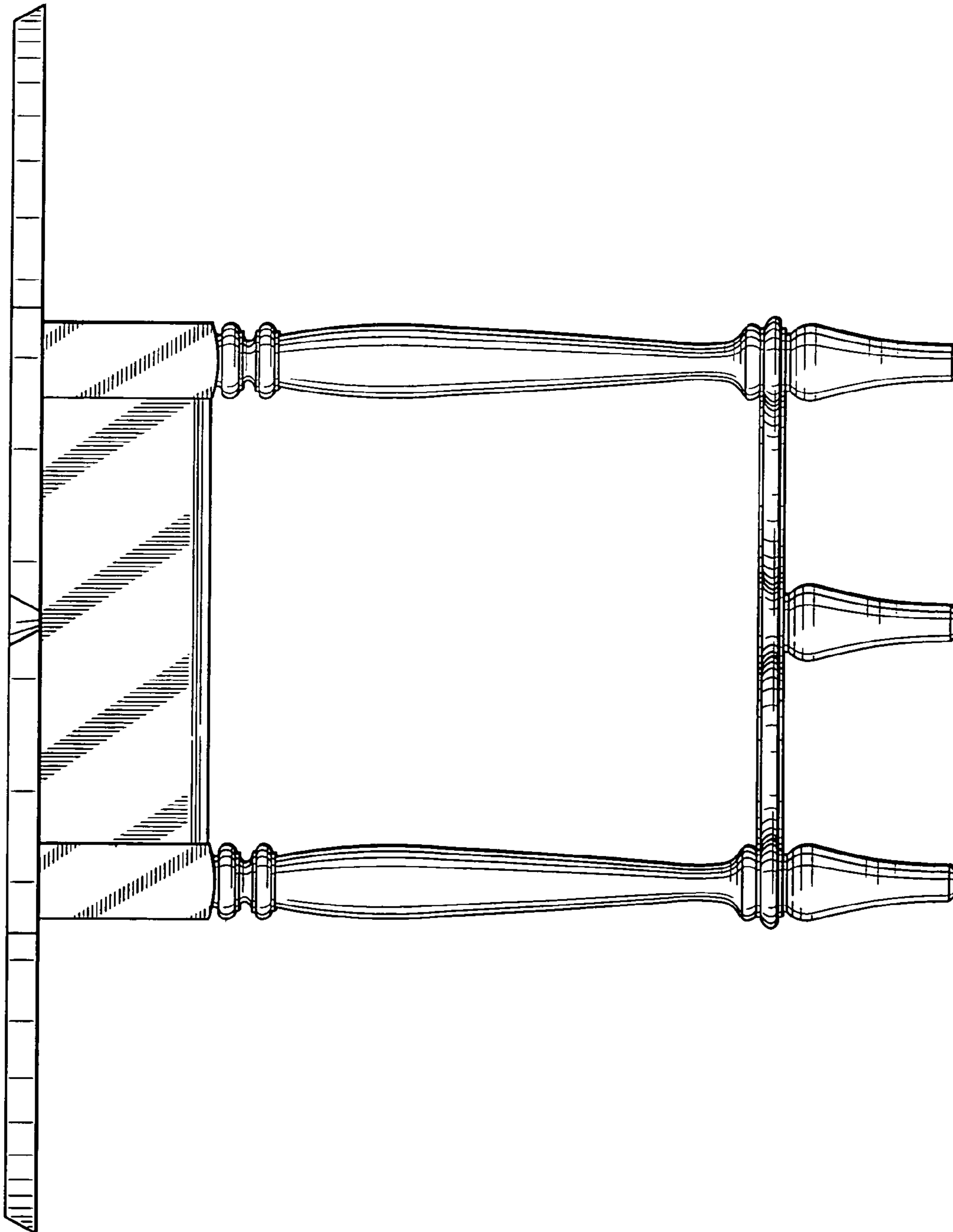


FIG. 10

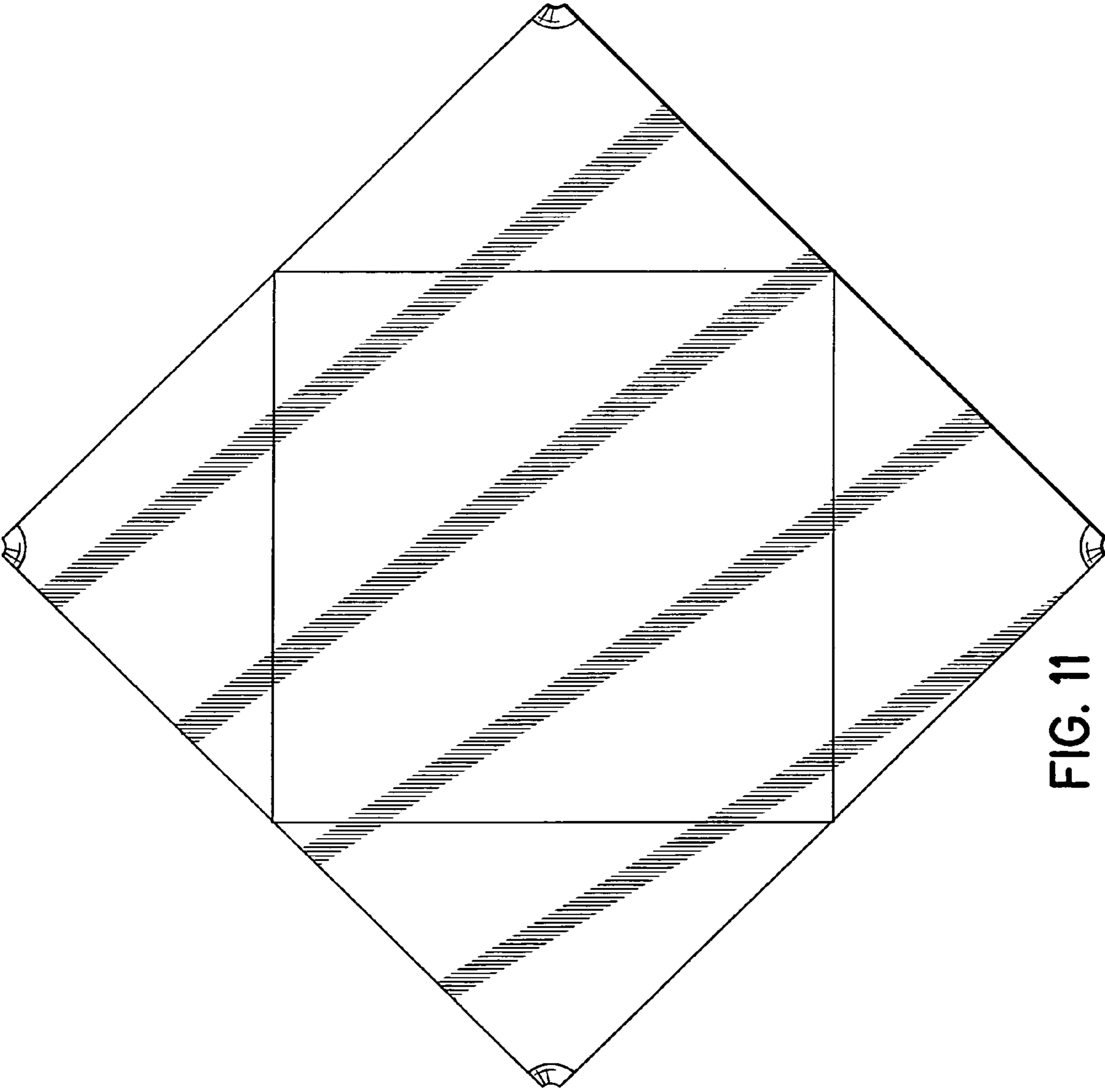


FIG. 11

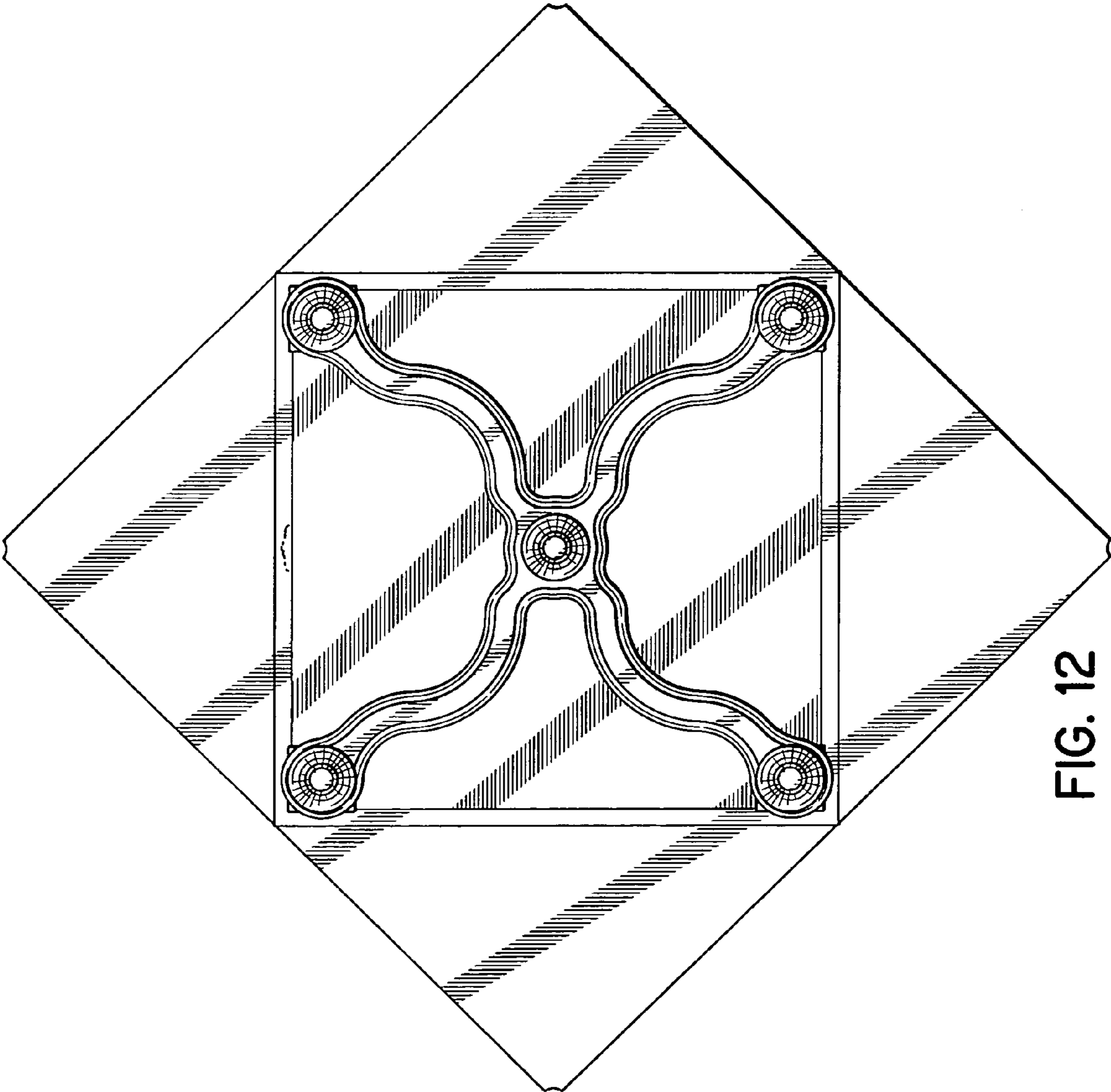


FIG. 12

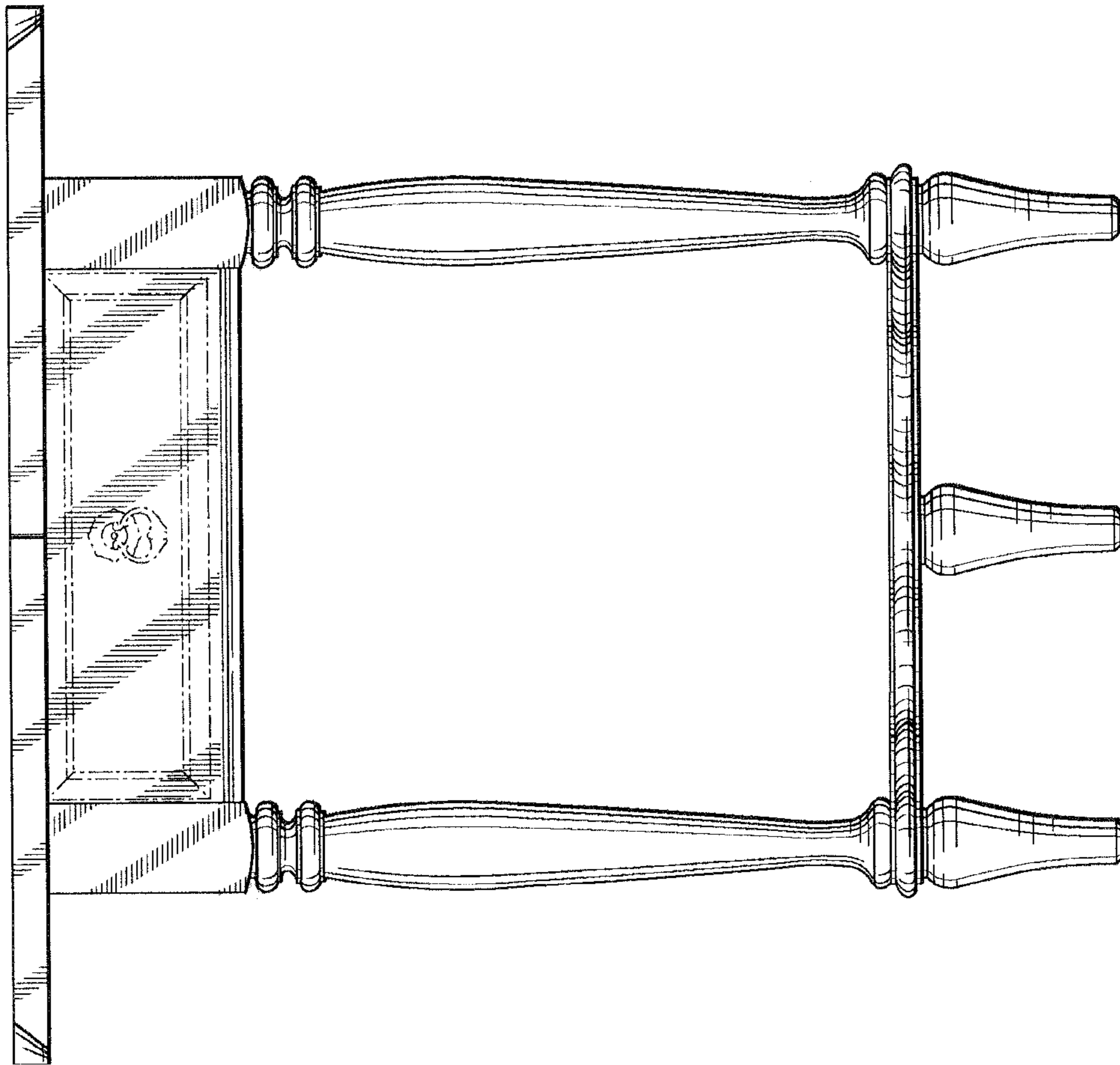


FIG. 13

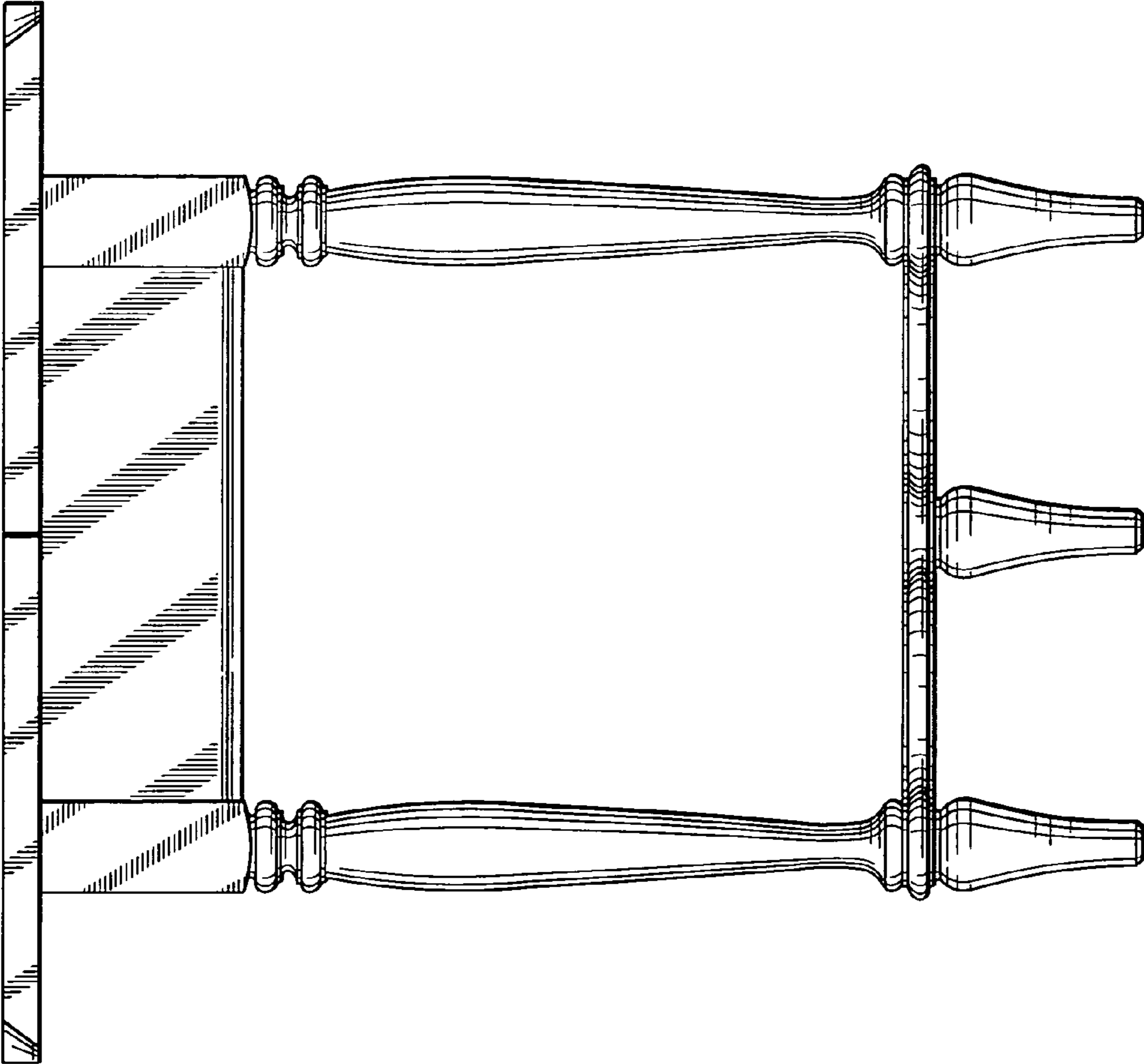


FIG. 14

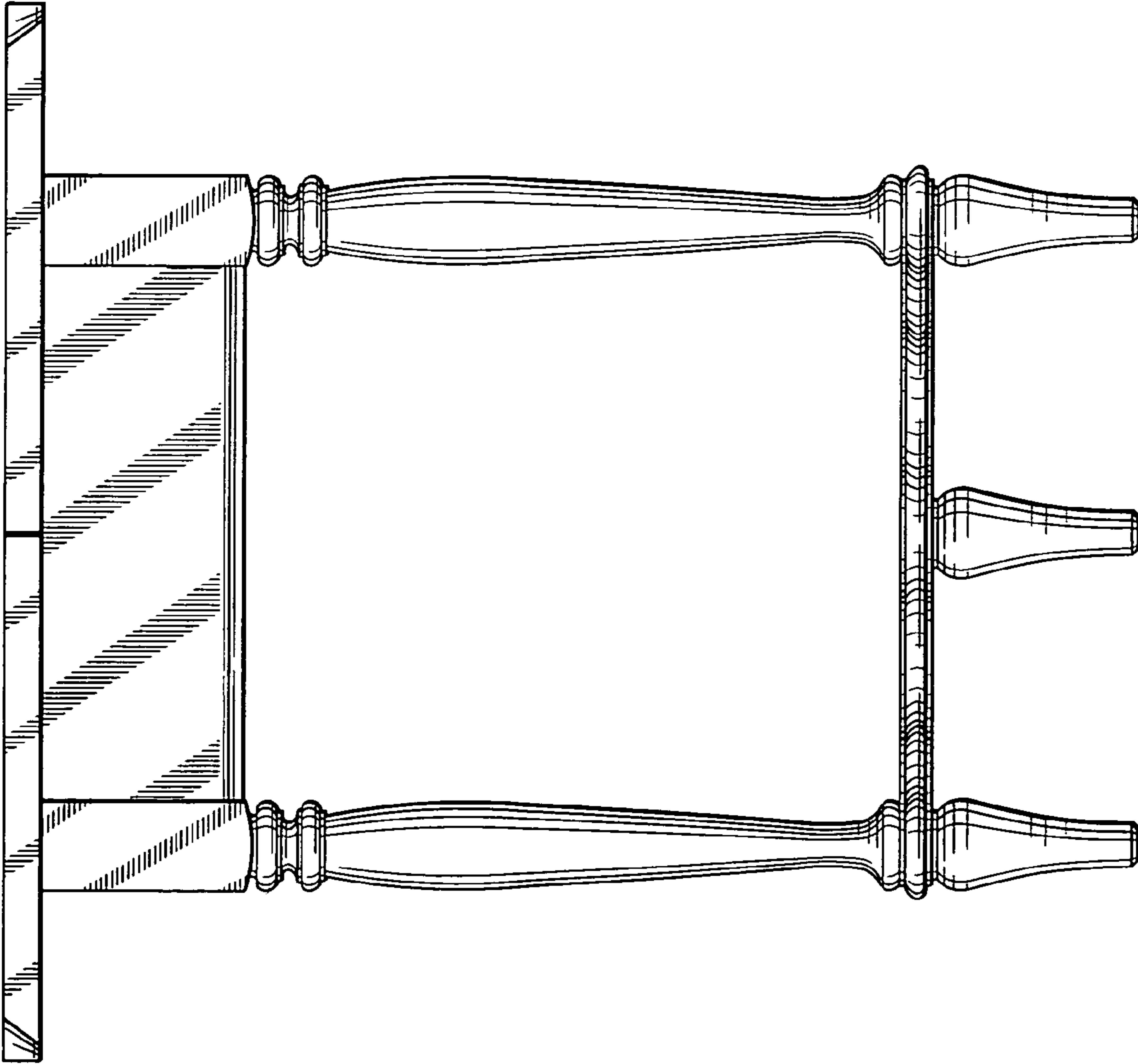


FIG. 15

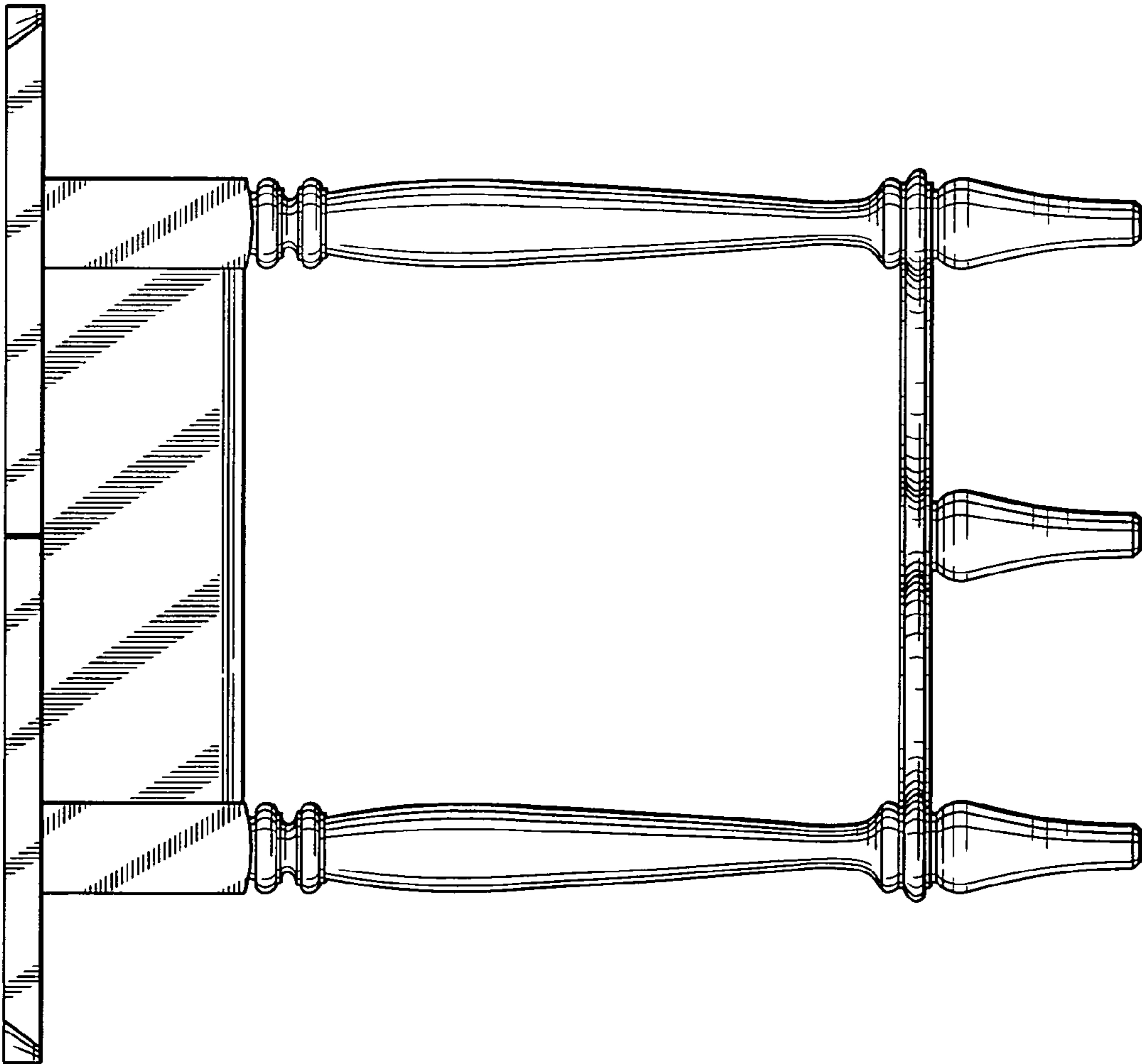


FIG. 16

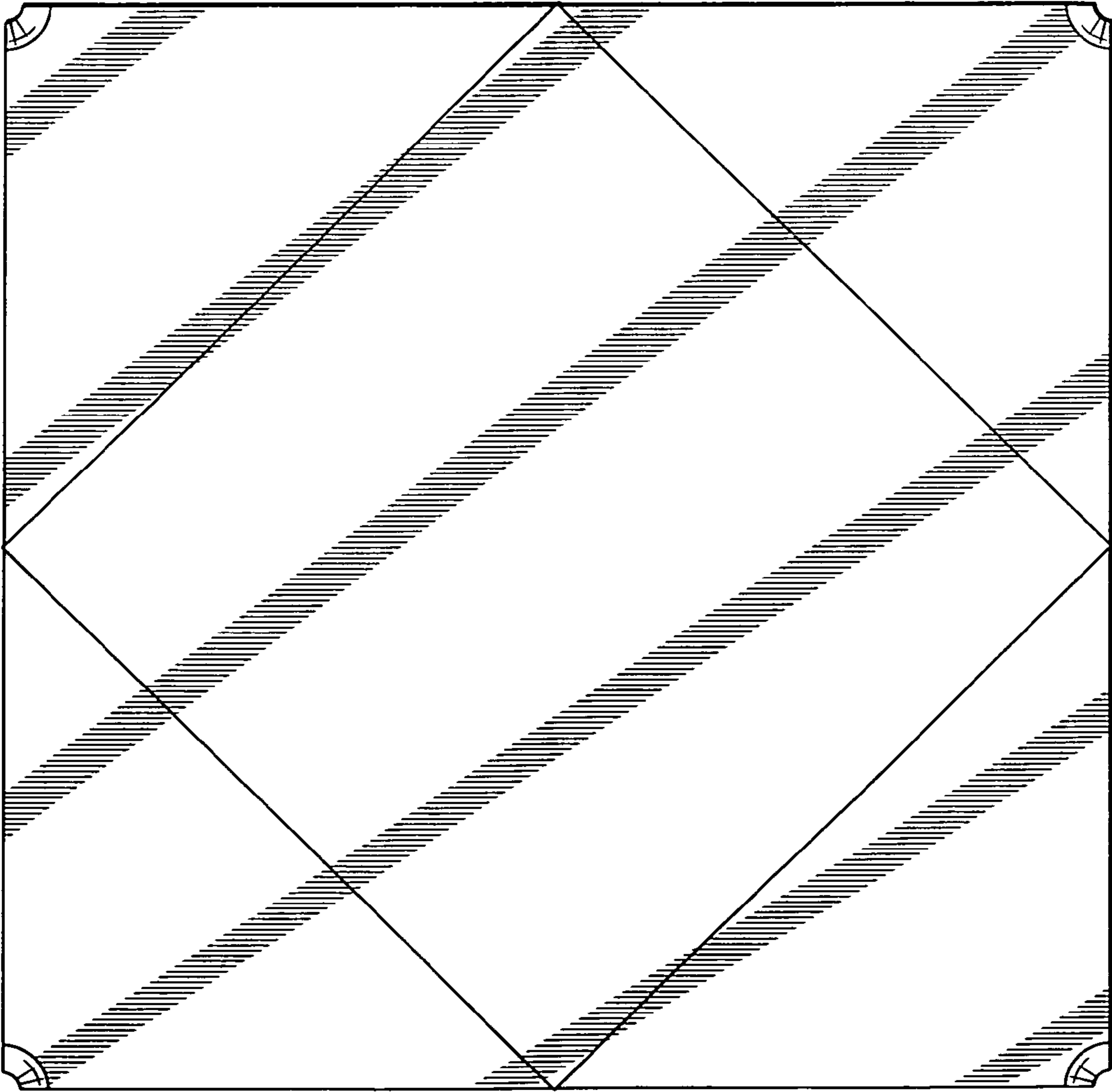


FIG. 17

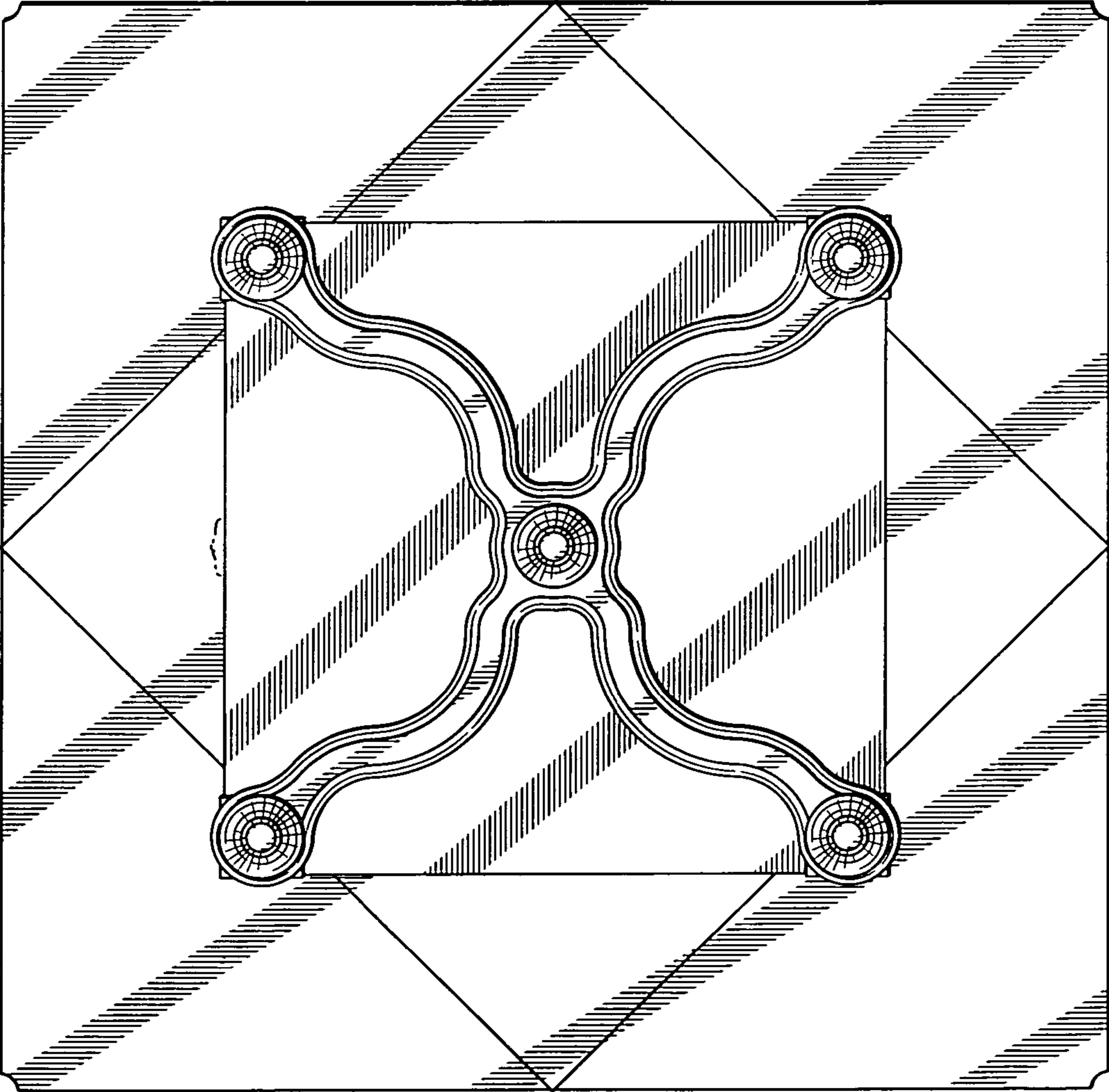


FIG. 18

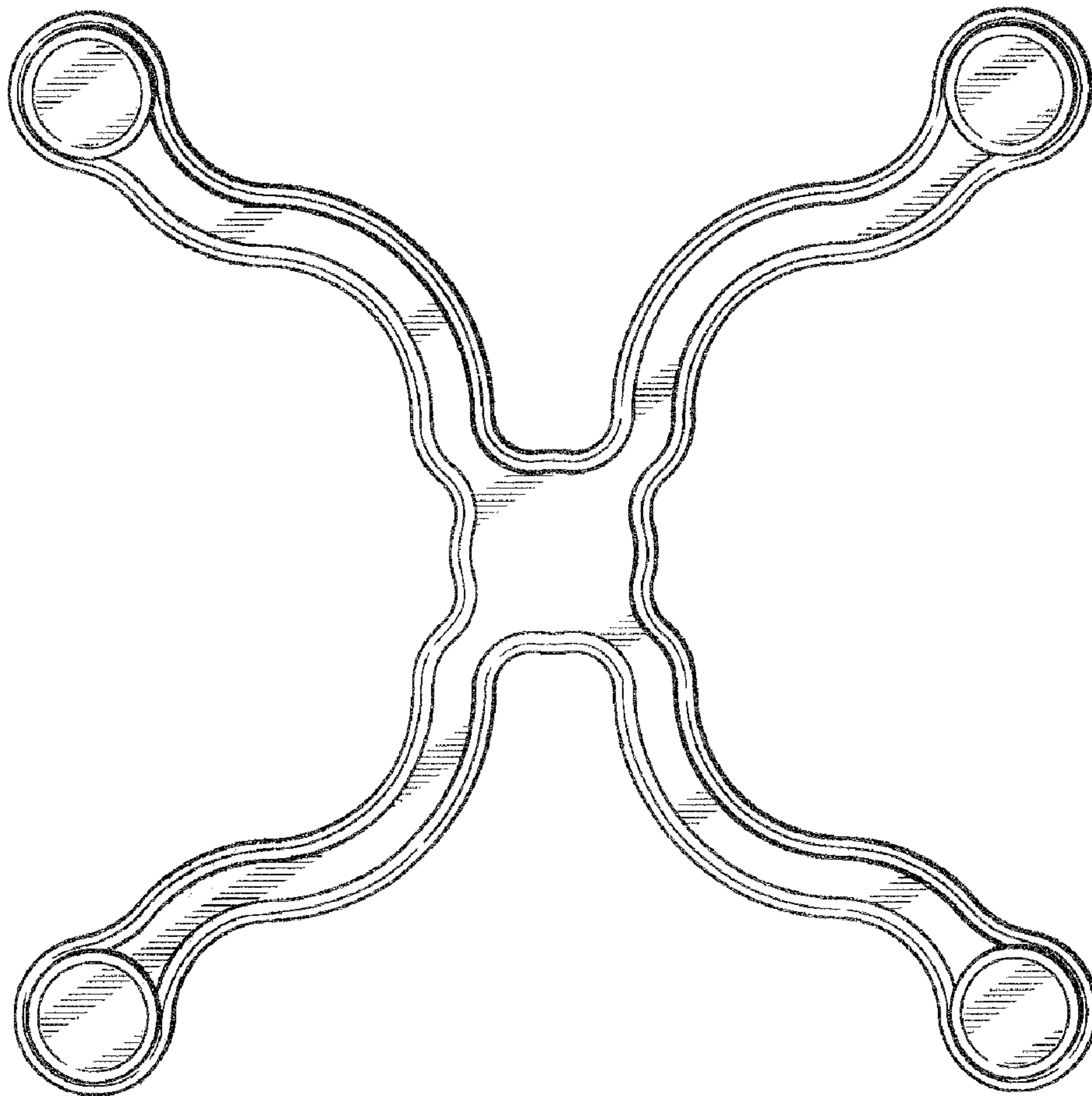


FIG. 19