



US00D564780S

(12) **United States Design Patent**
Reeves et al.

(10) **Patent No.:** **US D564,780 S**
(45) **Date of Patent:** **** Mar. 25, 2008**

(54) **PORTABLE WORKBENCH**

(74) *Attorney, Agent, or Firm*—Adan Ayala

(75) Inventors: **Kim C. Reeves**, Lexington, TN (US);
Robert P. Welsh, Phoenix, MD (US)

(57) **CLAIM**

The ornamental design for a portable workbench, as shown and described.

(73) Assignee: **Black & Decker Inc.**, Newark, DE (US)

(**) Term: **14 Years**

DESCRIPTION

(21) Appl. No.: **29/282,260**

FIG. 1 is a perspective view of a first embodiment of a portable workbench according to the invention.

(22) Filed: **Jul. 16, 2007**

FIG. 2 is a right side view of the portable workbench of FIG. 1.

(51) **LOC (8) Cl.** **06-03**

FIG. 3 is a left side view of the portable workbench of FIG. 1.

(52) **U.S. Cl.** **D6/400**

FIG. 4 is a front view of the portable workbench of FIG. 1.

(58) **Field of Classification Search** D6/353,
D6/400, 429–431, 495–499, 509; D15/140;
108/127, 153.1, 155, 156, 157.1, 161, 188.6;
144/286.1, 286.5, 287; 248/188.6

FIG. 5 is a rear view of the portable workbench of FIG. 1.

See application file for complete search history.

FIG. 6 is a top plan view of the portable workbench of FIG. 1.

(56) **References Cited**

FIG. 7 is a bottom plan view of the portable workbench of FIG. 1.

U.S. PATENT DOCUMENTS

FIG. 8 is a perspective view of a second embodiment of a portable workbench according to the invention.

D279,736 S * 7/1985 Zastera et al. D6/400

FIG. 9 is a right side view of the portable workbench of FIG. 8.

D357,140 S * 4/1995 Hollinger D6/400

FIG. 10 is a left side view of the portable workbench of FIG. 8.

D384,514 S * 10/1997 Pestone D6/400

FIG. 11 is a front view of the portable workbench of FIG. 8.

D461,330 S * 8/2002 Wang D6/400

FIG. 12 is a rear view of the portable workbench of FIG. 8.

D491,709 S * 6/2004 Wise D34/18

FIG. 13 is a top plan view of the portable workbench of FIG. 8; and,

D527,200 S * 8/2006 Wu D6/400

FIG. 14 is a bottom plan view of the portable workbench of FIG. 8.

D535,491 S * 1/2007 Wise D6/400

2003/0024604 A1 * 2/2003 Derektor 144/286.5

2004/0221923 A1 * 11/2004 Welsh et al. 144/287

2005/0006002 A1 * 1/2005 Barclay deTolly 144/286.5

2006/0180244 A1 * 8/2006 Ayala et al. 144/287

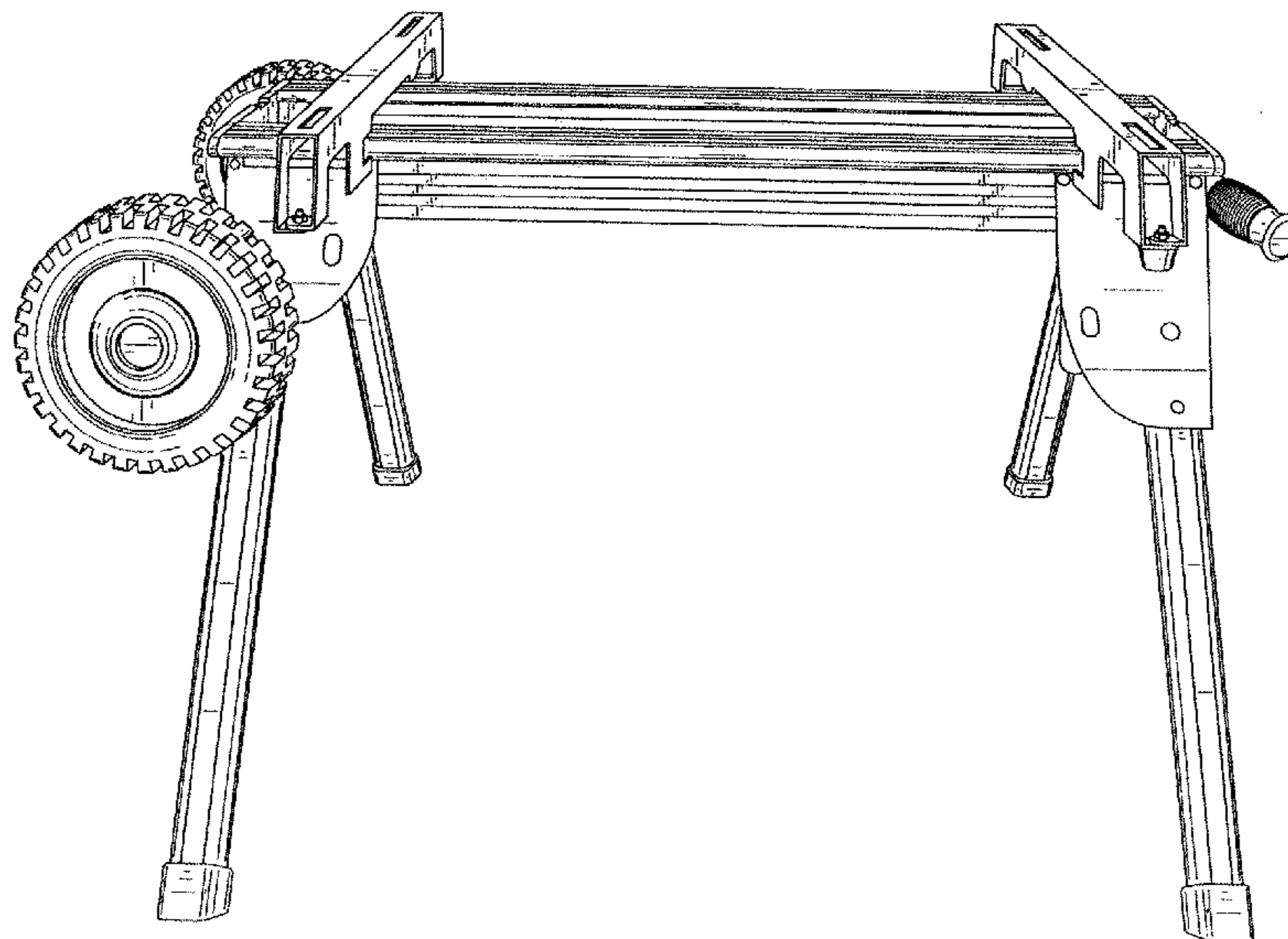
2007/0131306 A1 * 6/2007 Snider 144/286.1

* cited by examiner

Primary Examiner—Antoine D. Davis

Assistant Examiner—Patricia Palasik

1 Claim, 14 Drawing Sheets



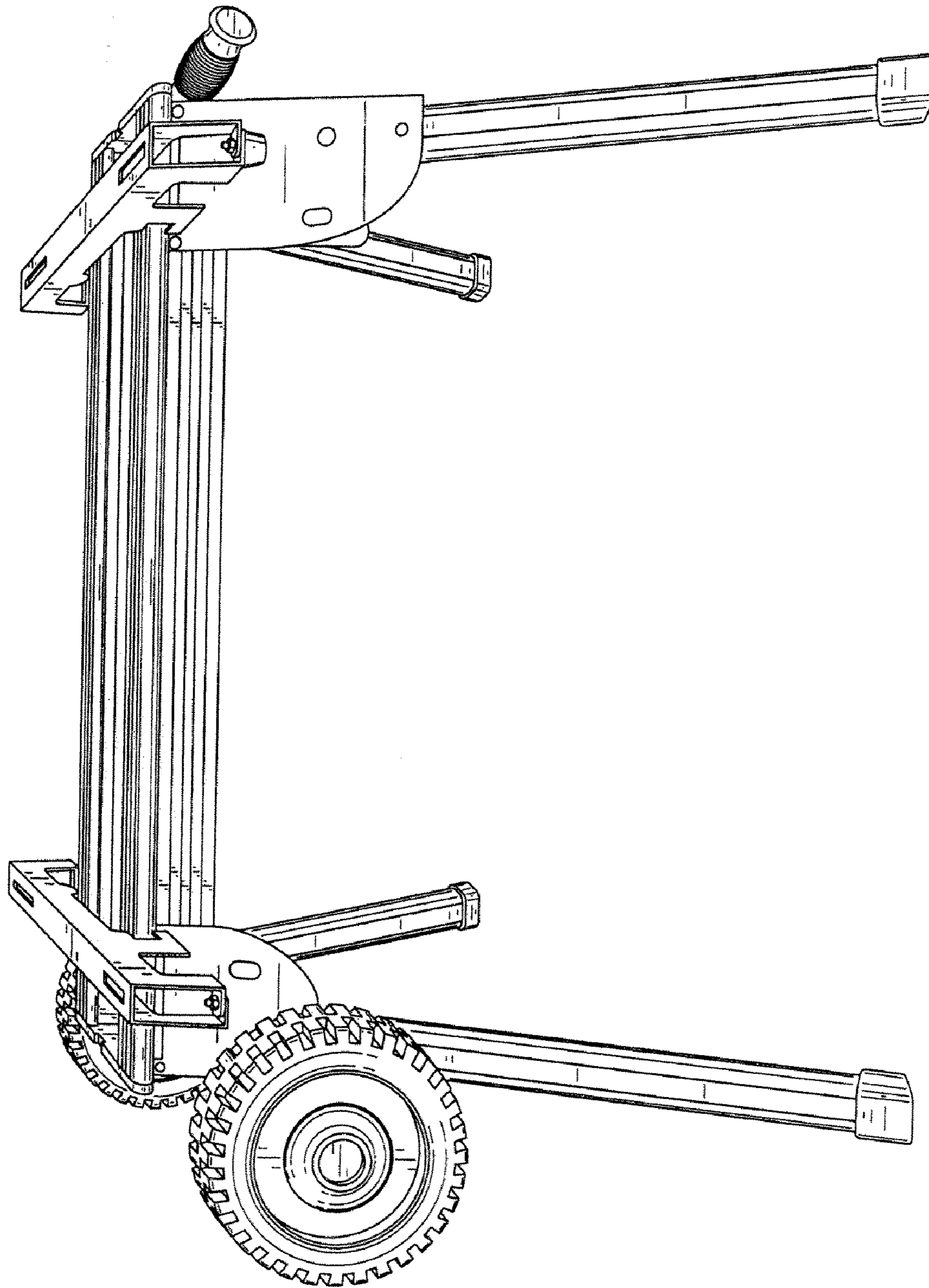


FIG. 1

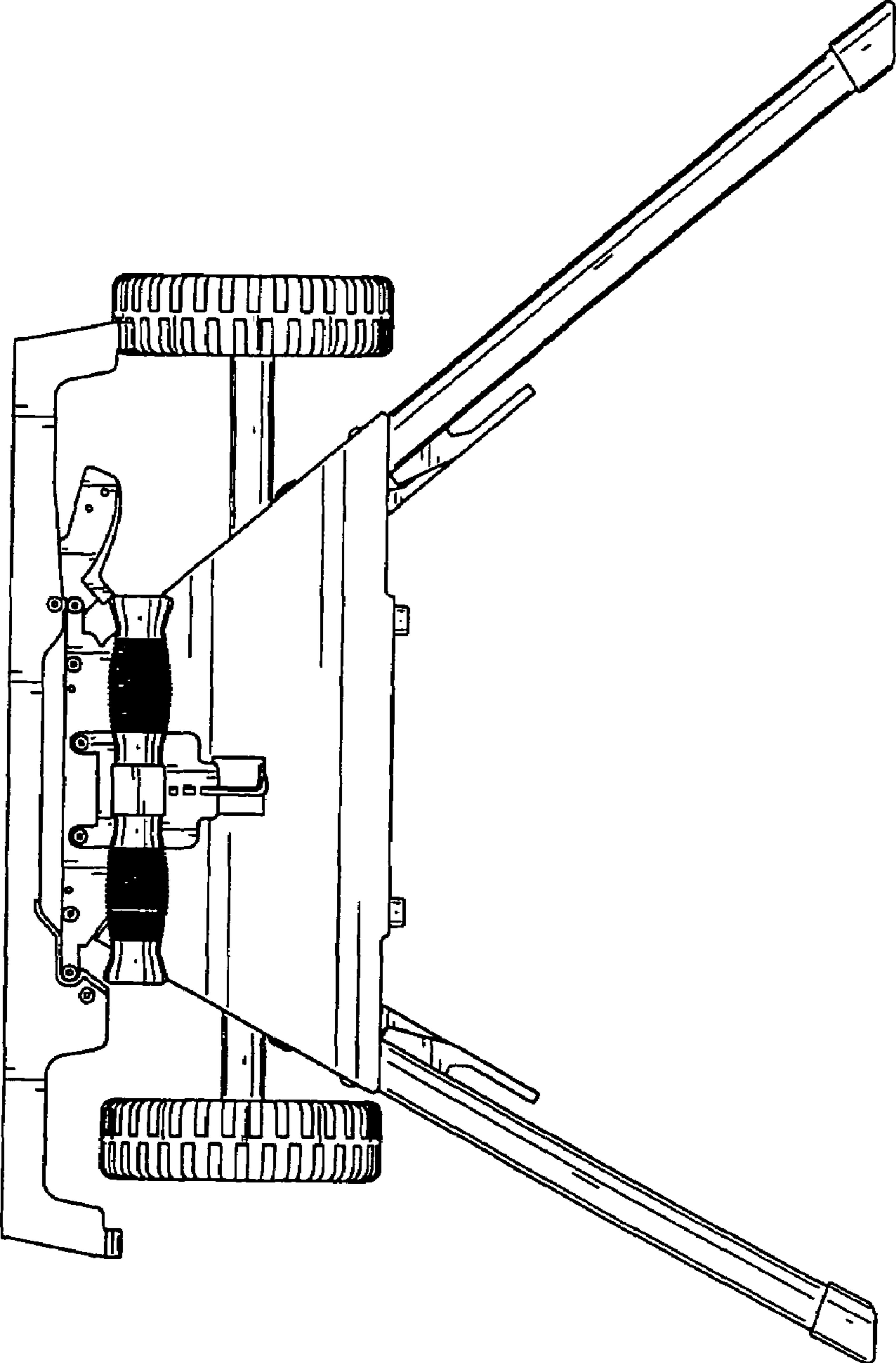


FIG. 2

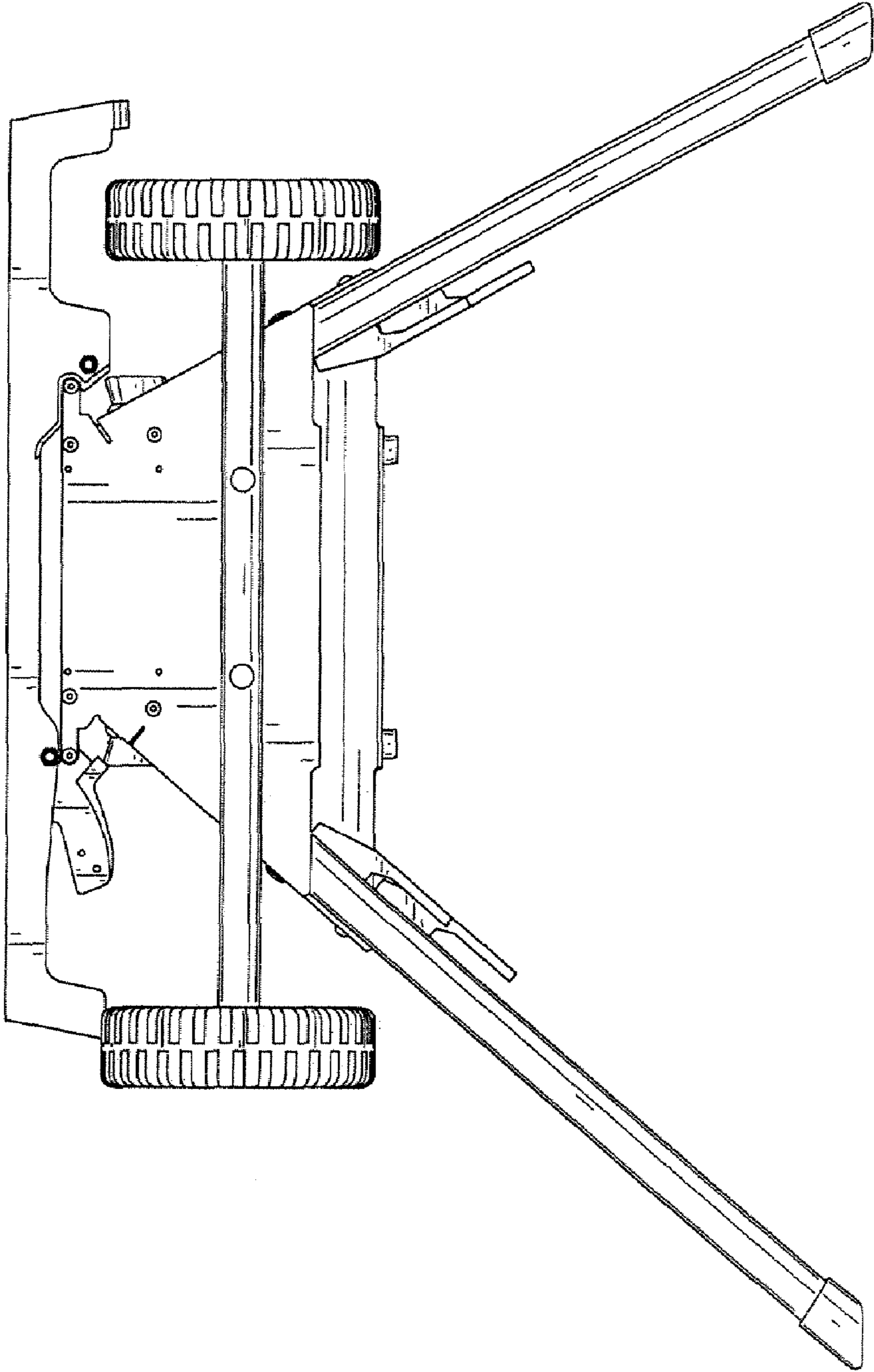


FIG. 3

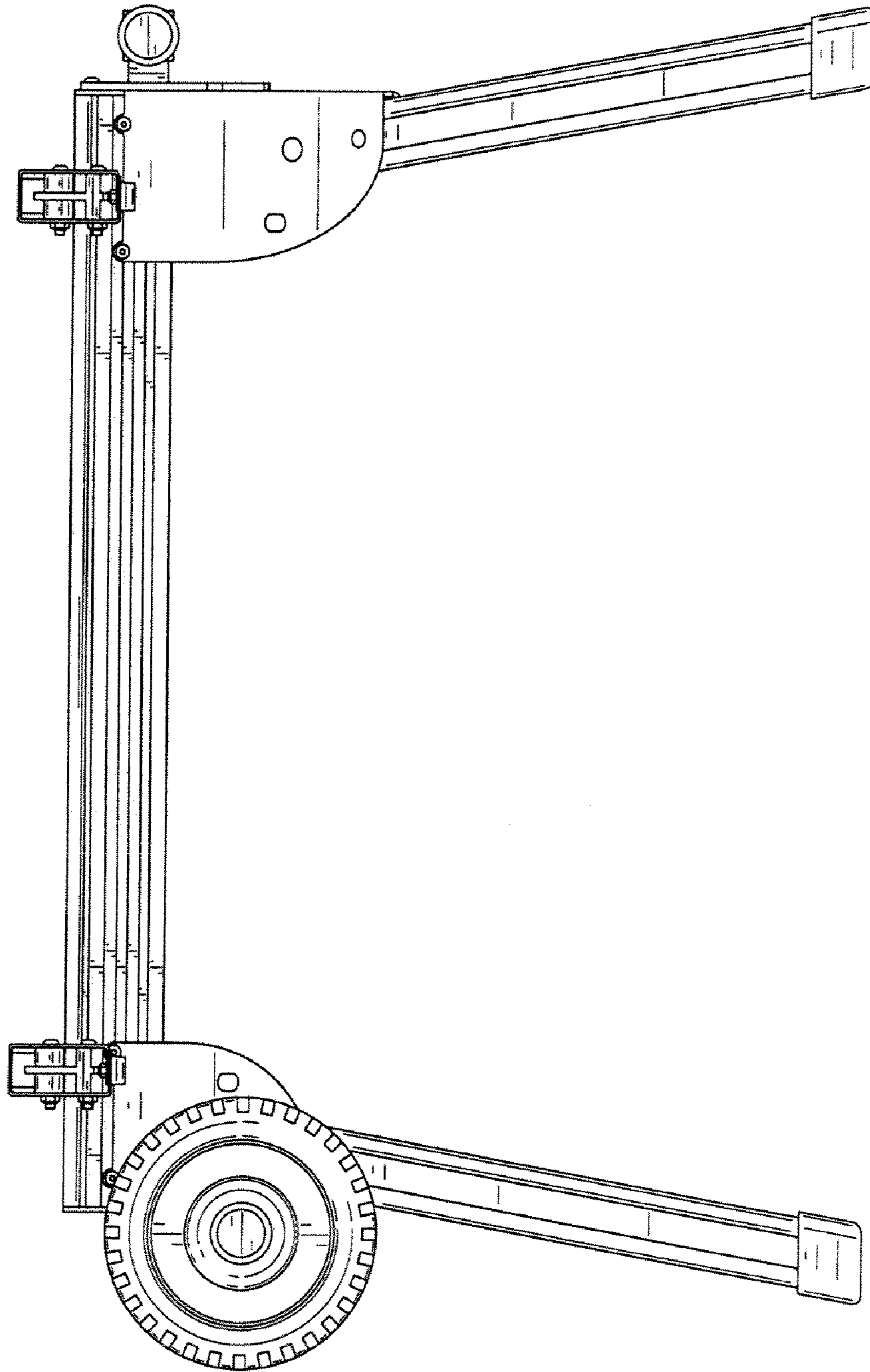


FIG. 4

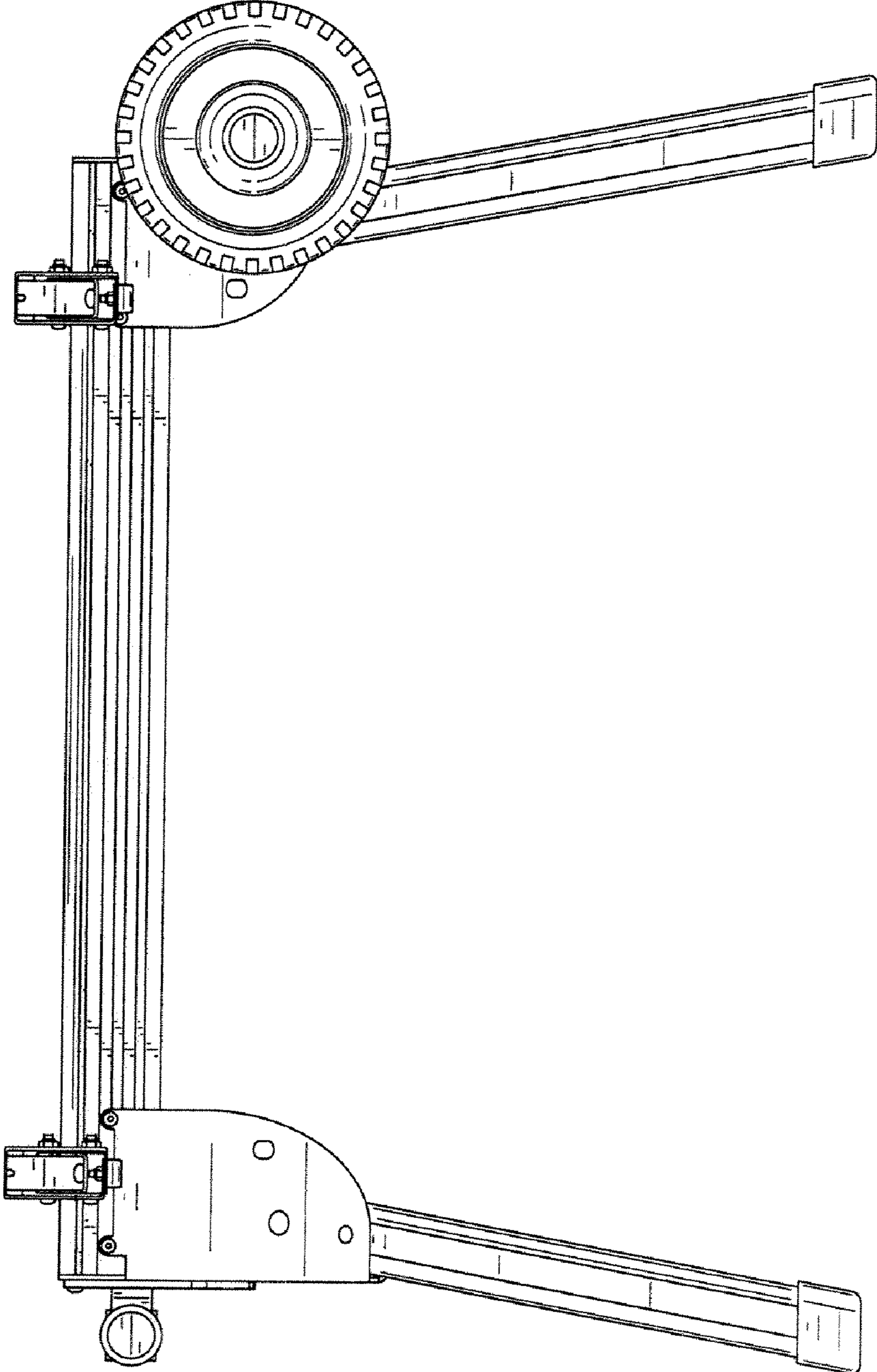


FIG. 5

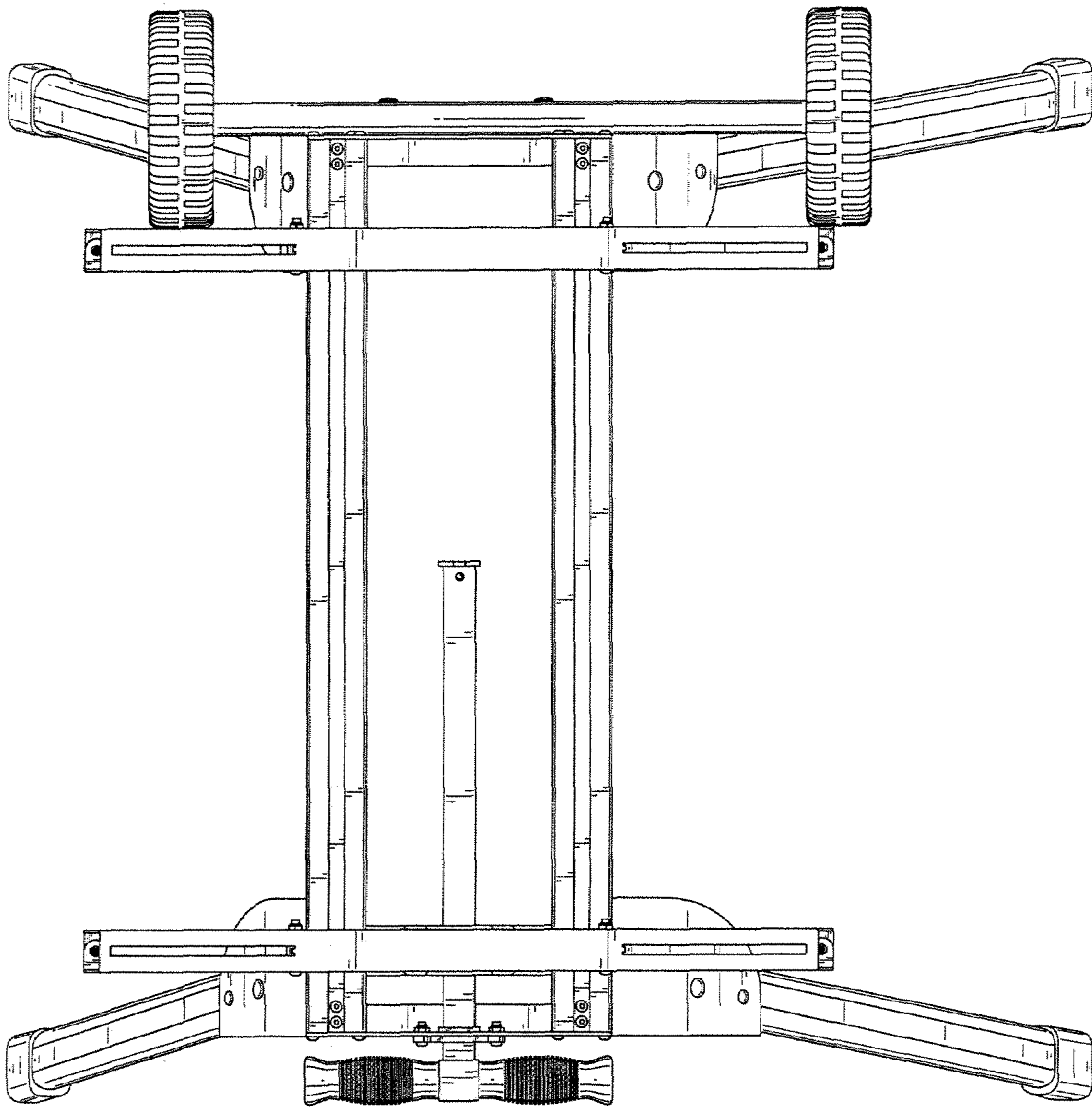


FIG. 6

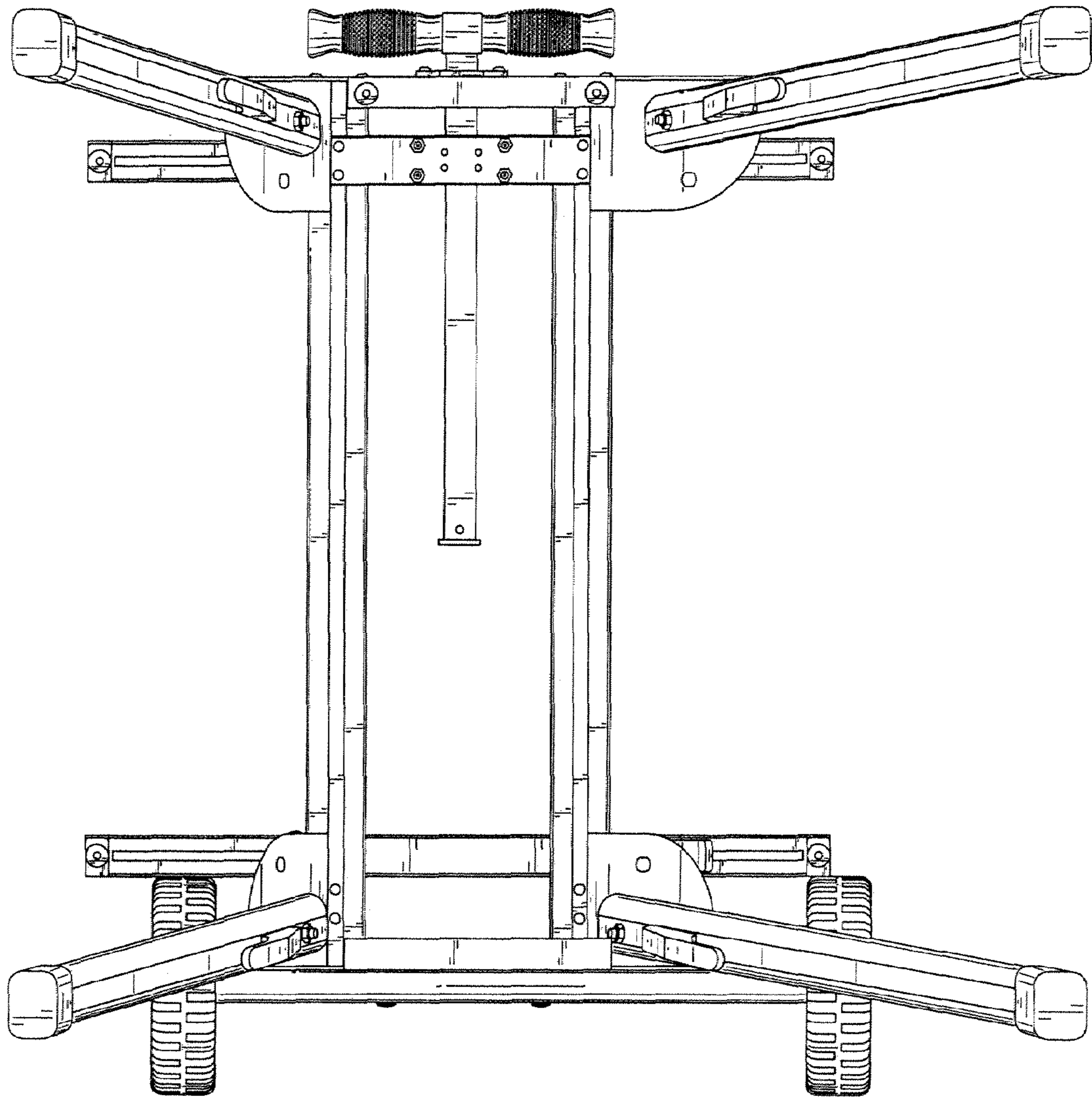


FIG. 7

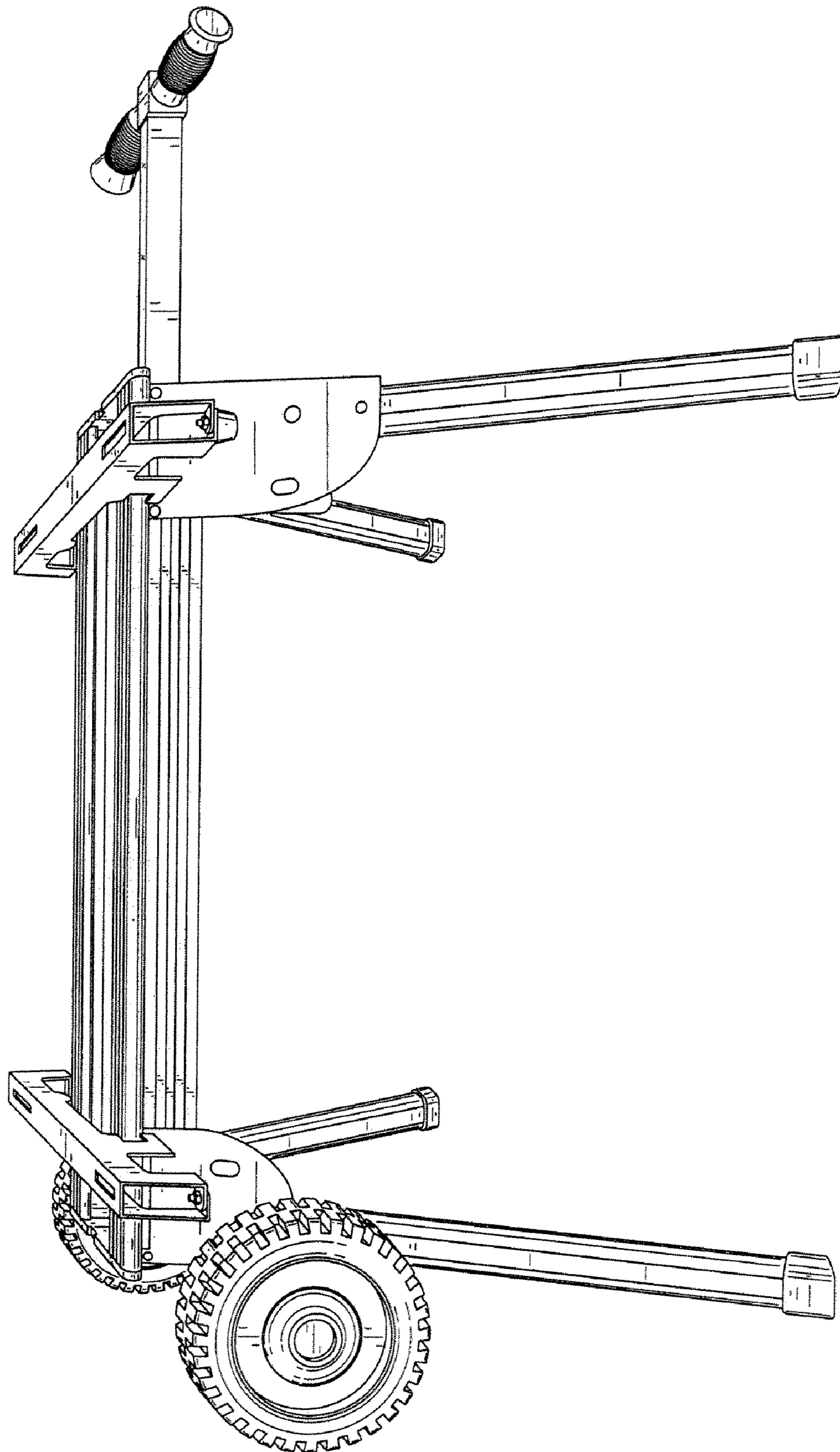


FIG. 8

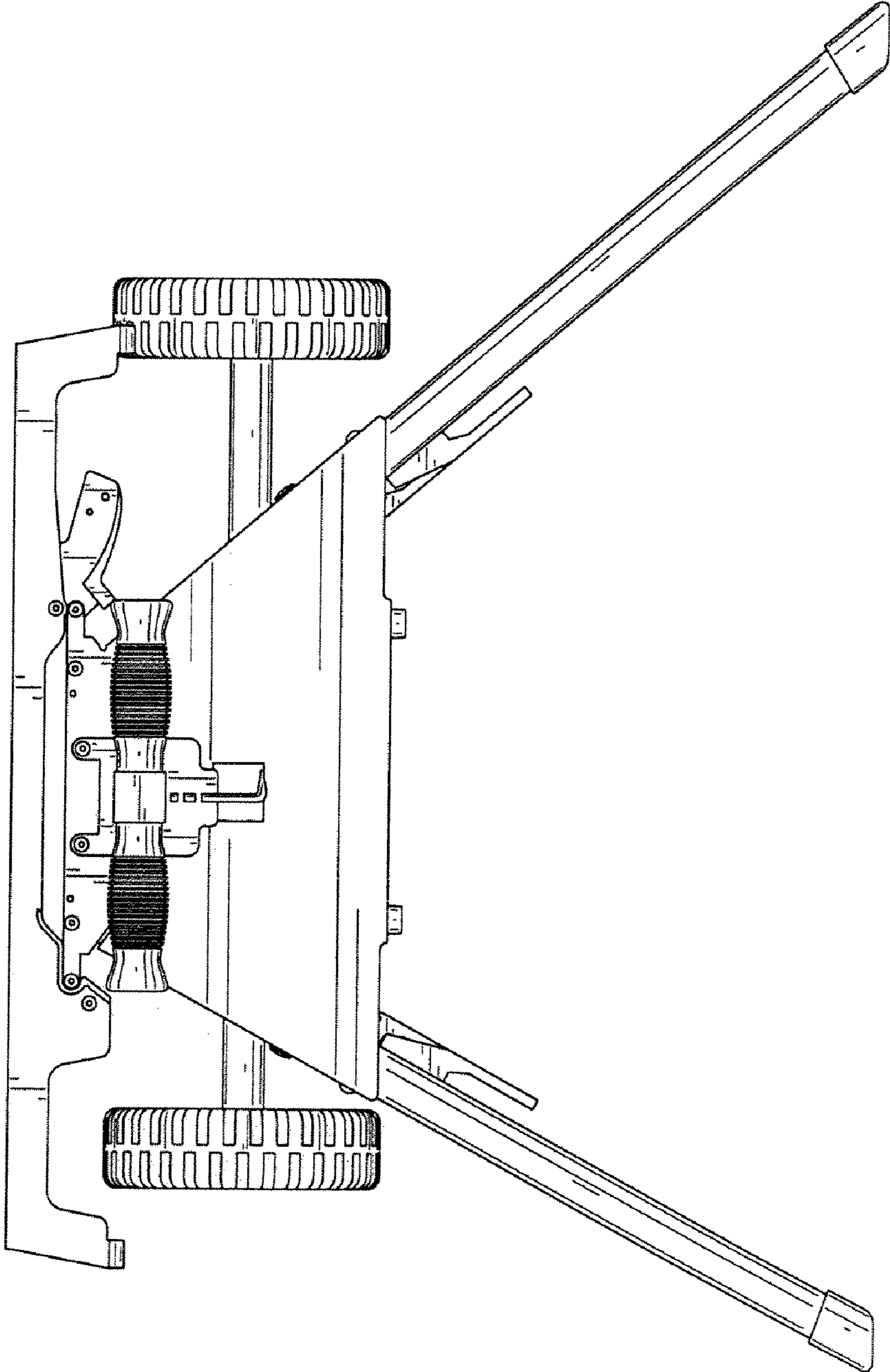


FIG. 9

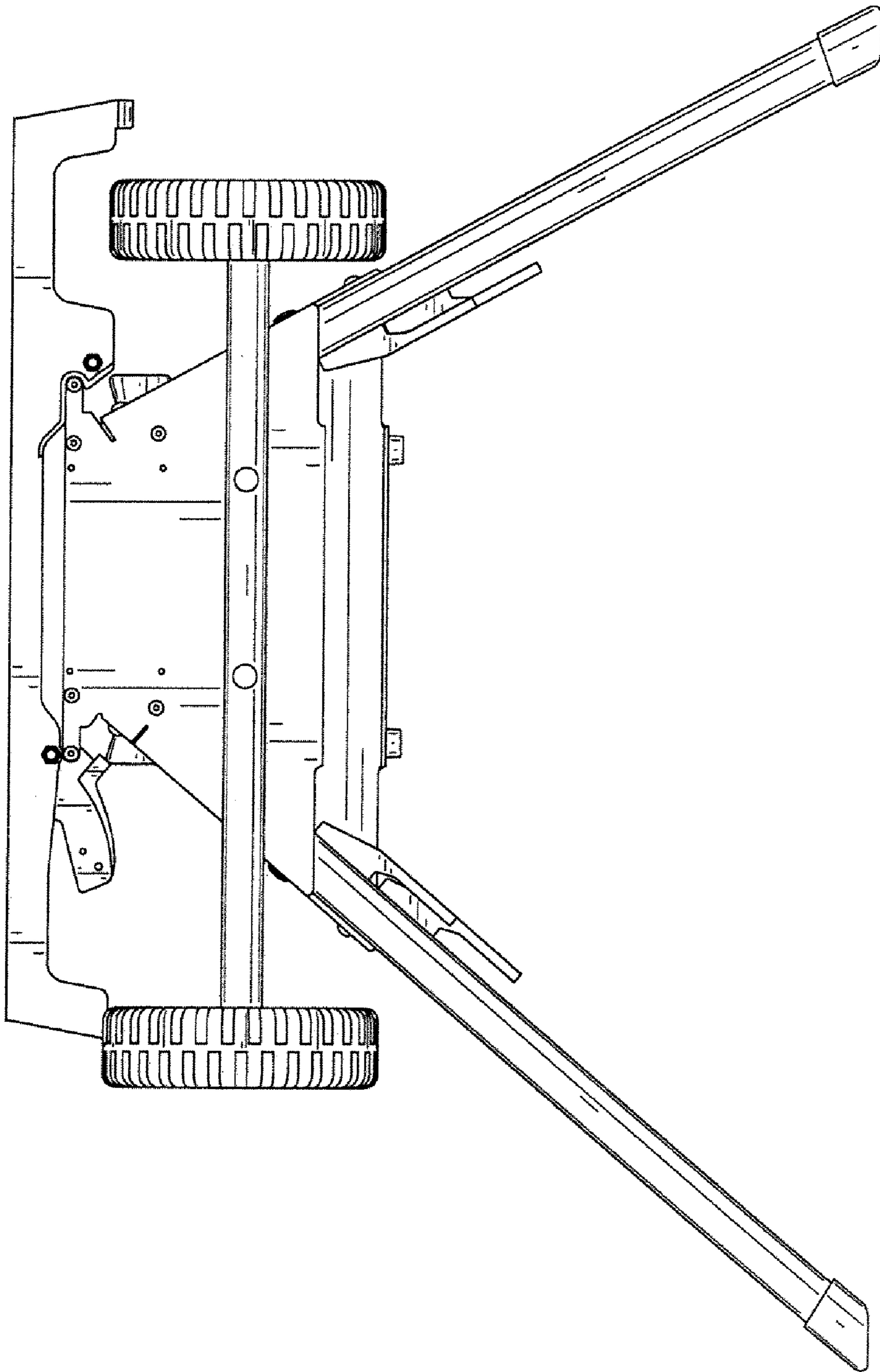


FIG. 10

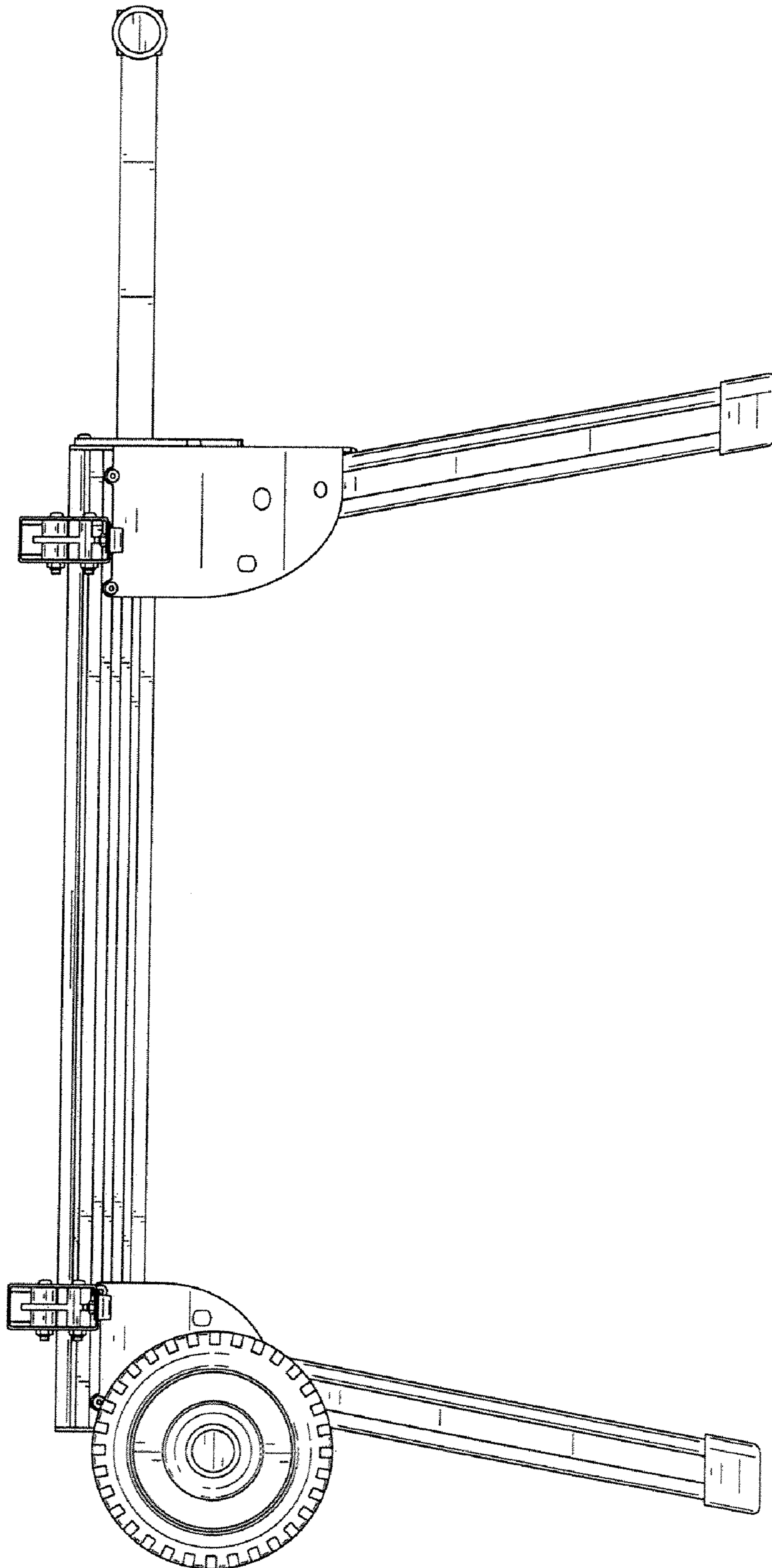


FIG. 11

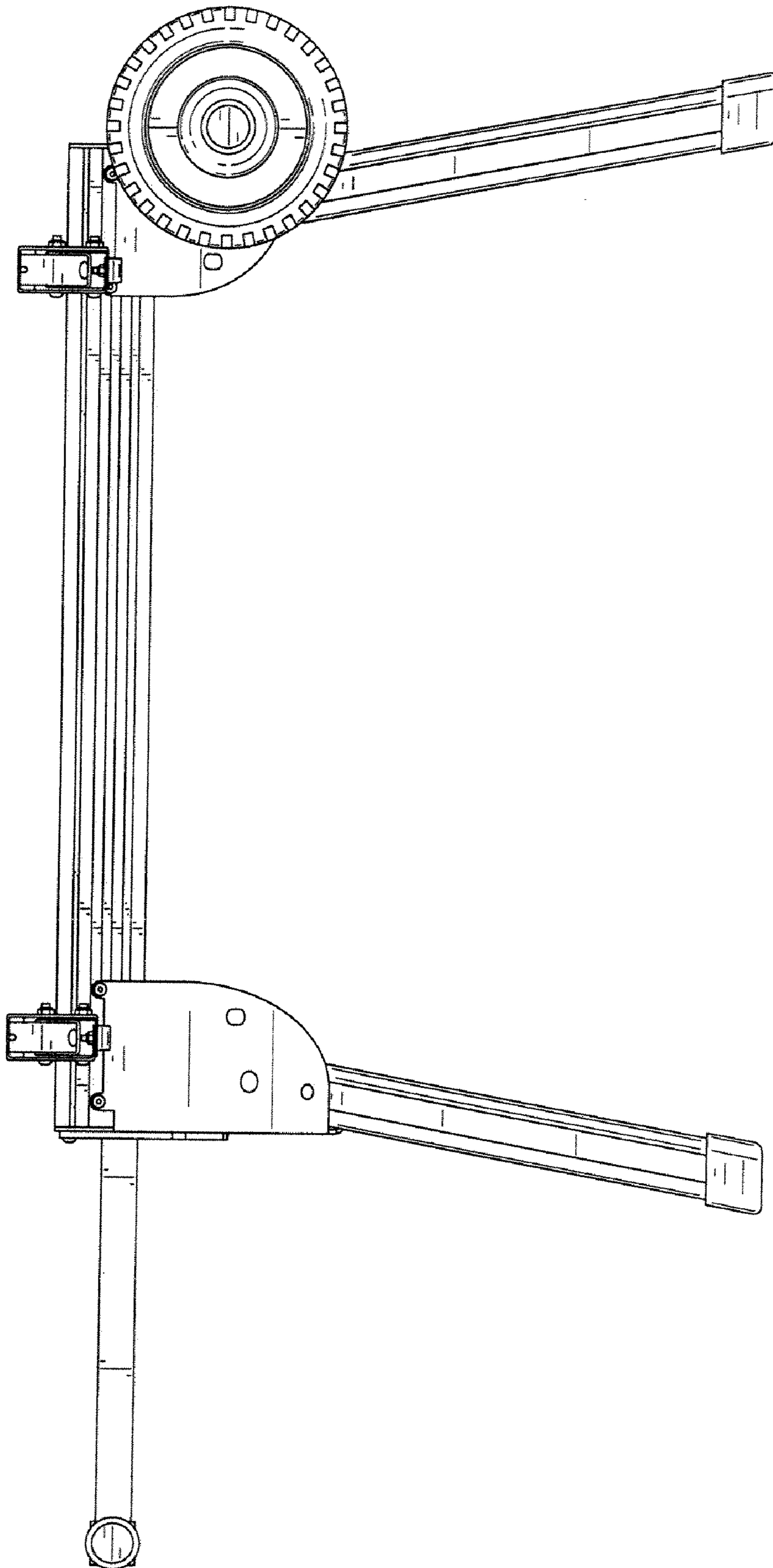


FIG. 12

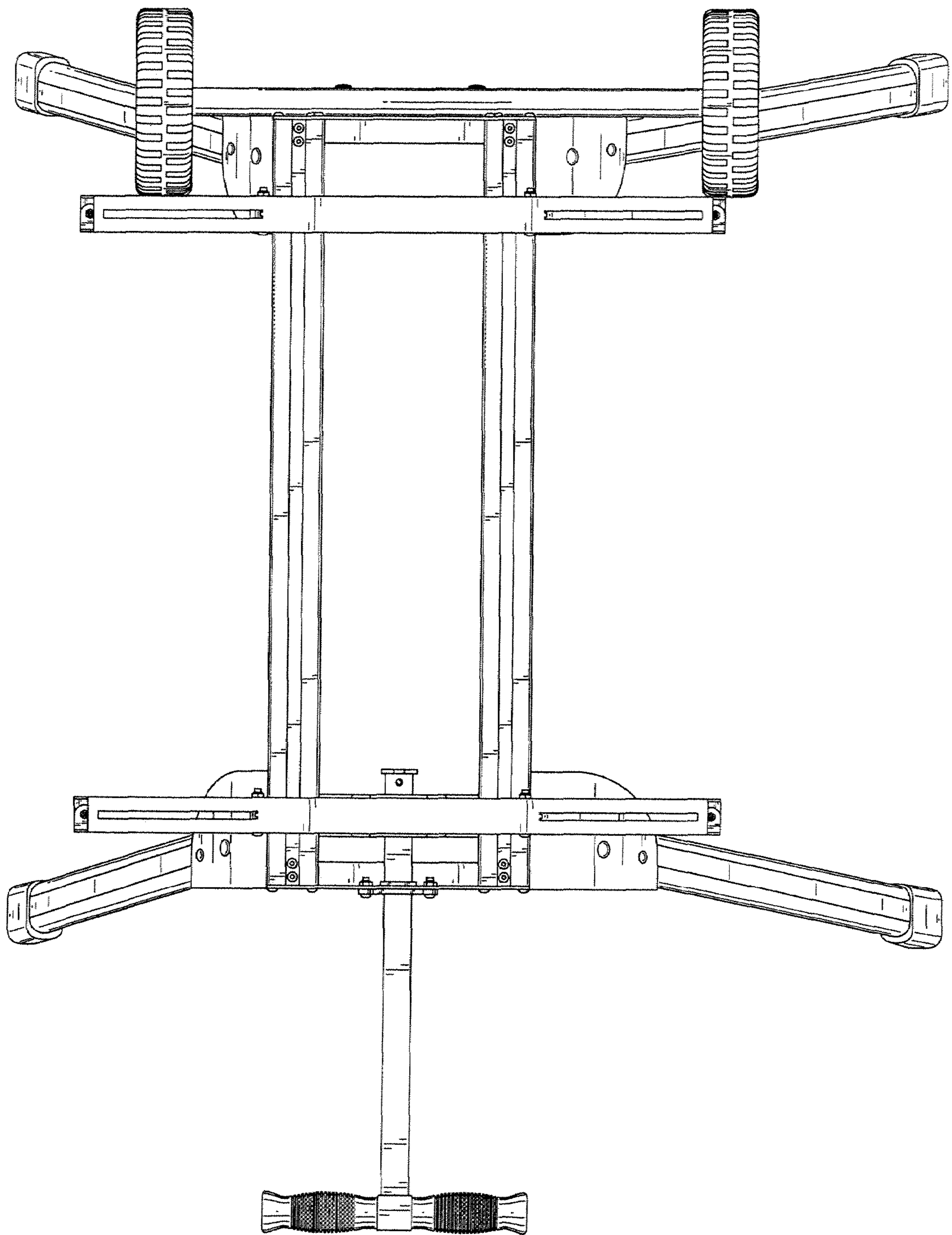


FIG. 13

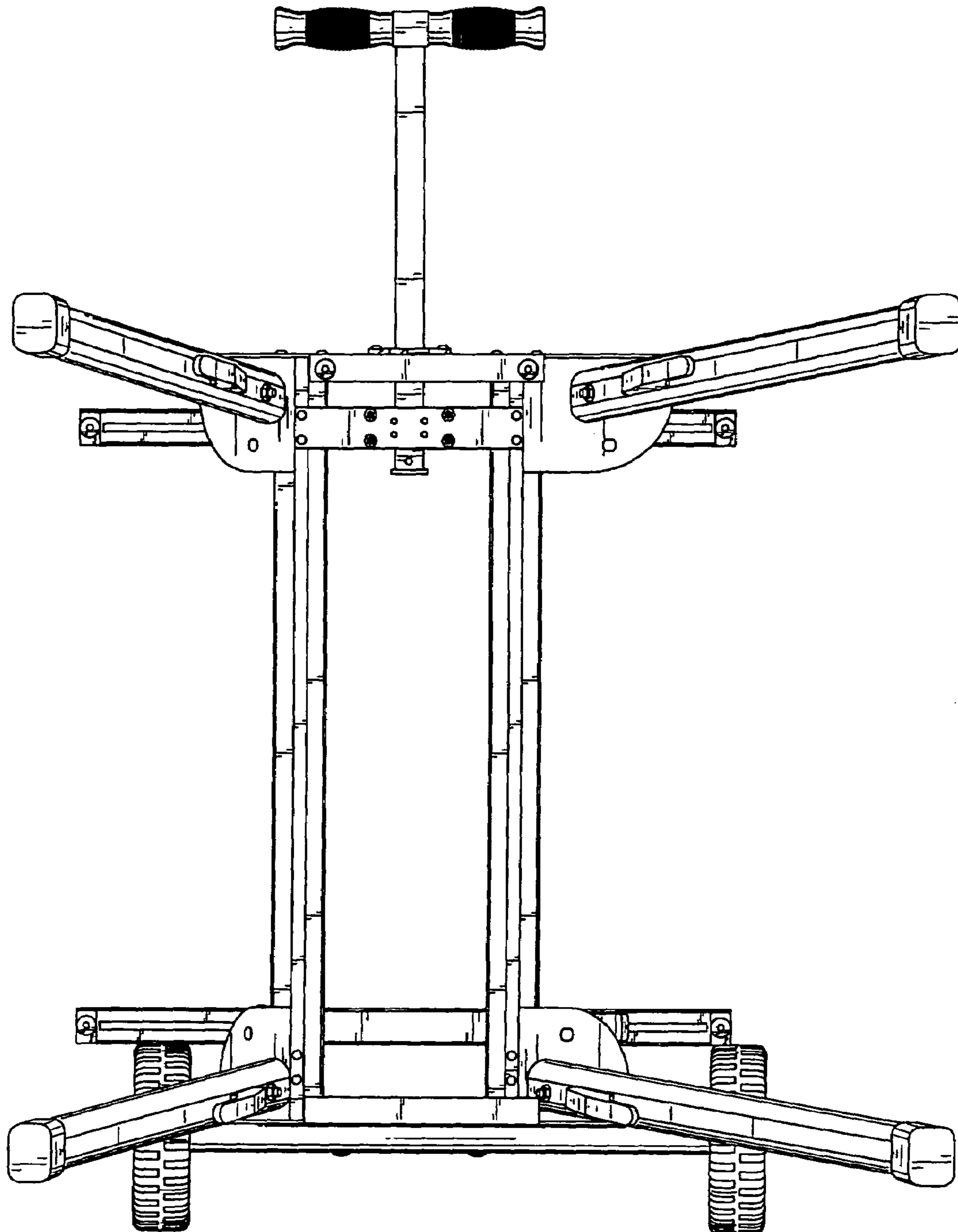


FIG. 14