



US00D564779S

(12) **United States Design Patent**  
**Novak**

(10) **Patent No.:** **US D564,779 S**  
(45) **Date of Patent:** **\*\* Mar. 25, 2008**

(54) **BED FRAME**

(75) Inventor: **Jay Novak**, Beverly Hills, CA (US)

(73) Assignee: **Modernica, Inc.**, Los Angeles, CA (US)

(\*\*) Term: **14 Years**

(21) Appl. No.: **29/279,754**

(22) Filed: **May 7, 2007**

(51) **LOC (8) Cl.** ..... **06-01**

(52) **U.S. Cl.** ..... **D6/393**

(58) **Field of Classification Search** ..... D6/382,  
D6/392-395, 505-508; 5/53.1, 907, 279.1,  
5/280, 281

See application file for complete search history.

(56) **References Cited**

**U.S. PATENT DOCUMENTS**

- D357,139 S \* 4/1995 Magistretti ..... D6/393
- D376,276 S \* 12/1996 Good ..... D6/393
- D526,140 S \* 8/2006 Cook ..... D6/393

**OTHER PUBLICATIONS**

Schoner Wohnen, Jun. 1994, p. 138 CENTO bed in center of page.\*  
Metropolis, Apr. 1993, p. 32, Chris Lehrecke bed.\*

\* cited by examiner

*Primary Examiner*—Janice E. Seeger

(74) *Attorney, Agent, or Firm*—Connolly Bove Lodge & Hutz LLP

(57) **CLAIM**

The ornamental design for a bed frame, as shown and described.

**DESCRIPTION**

FIG. 1 illustrates a first perspective view of a bed frame from the front and side;

FIG. 2 illustrates a second perspective view of the bed frame from the rear and side;

FIG. 3 illustrates a left side elevation view of the bed frame;

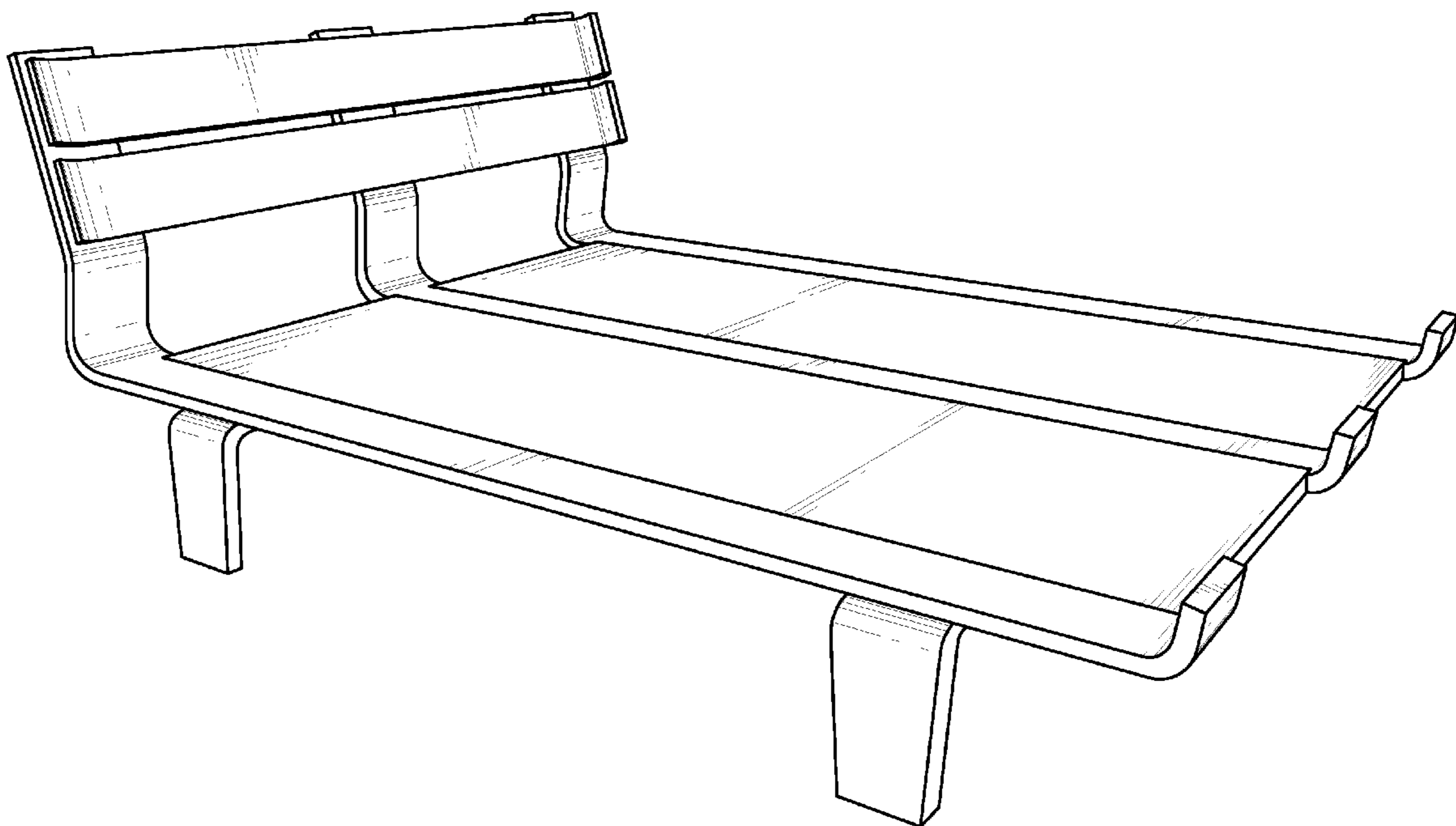
FIG. 4 illustrates a front elevation view of the bed frame;

FIG. 5 illustrates a rear elevation view of the bed frame; and,

FIG. 6 illustrates a top elevation view of the bed frame.

The right side of the bed frame, which is not shown in the drawings, is a mirror image of the left side shown in FIG. 3.

**1 Claim, 6 Drawing Sheets**



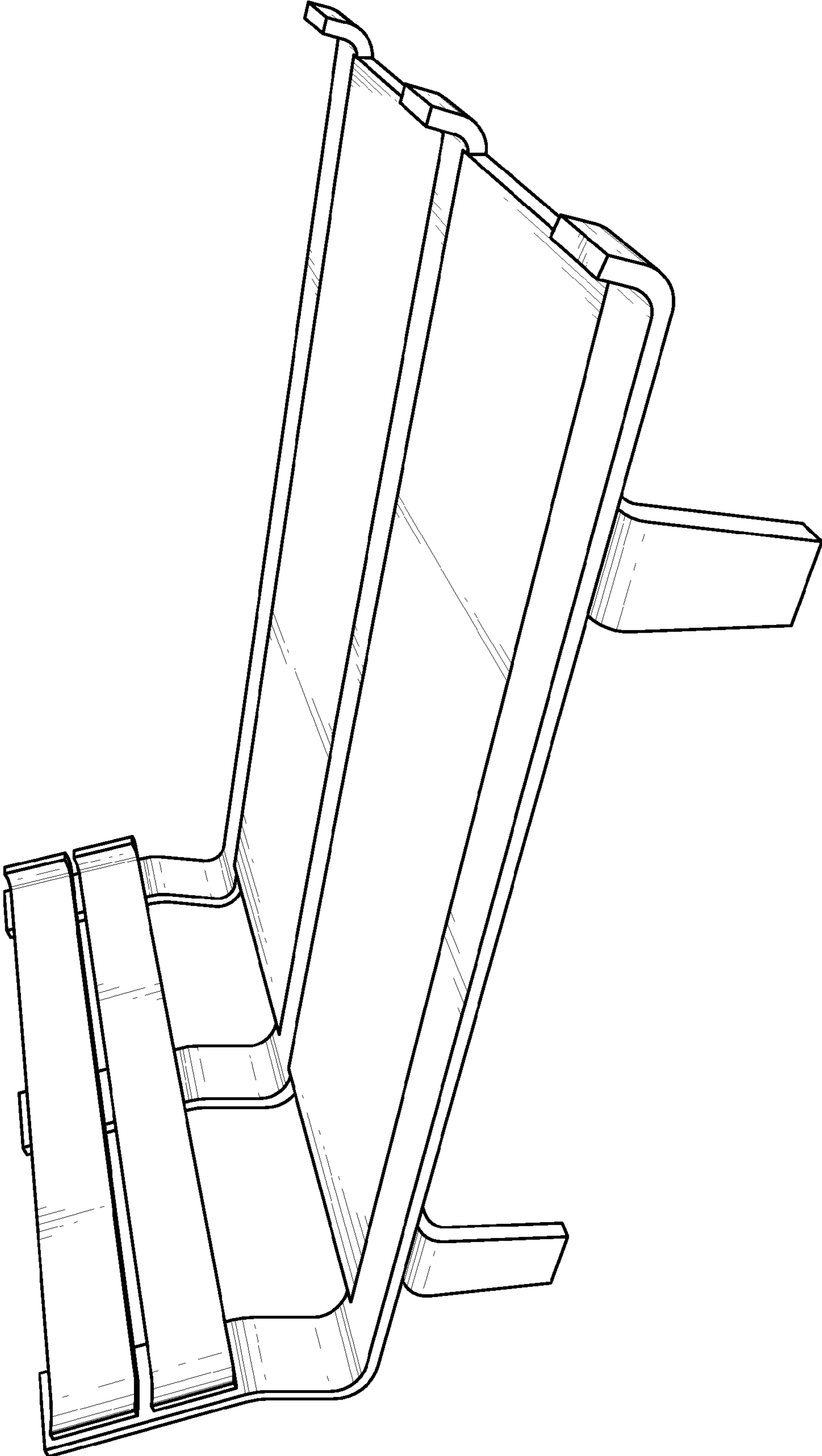


FIG. 1

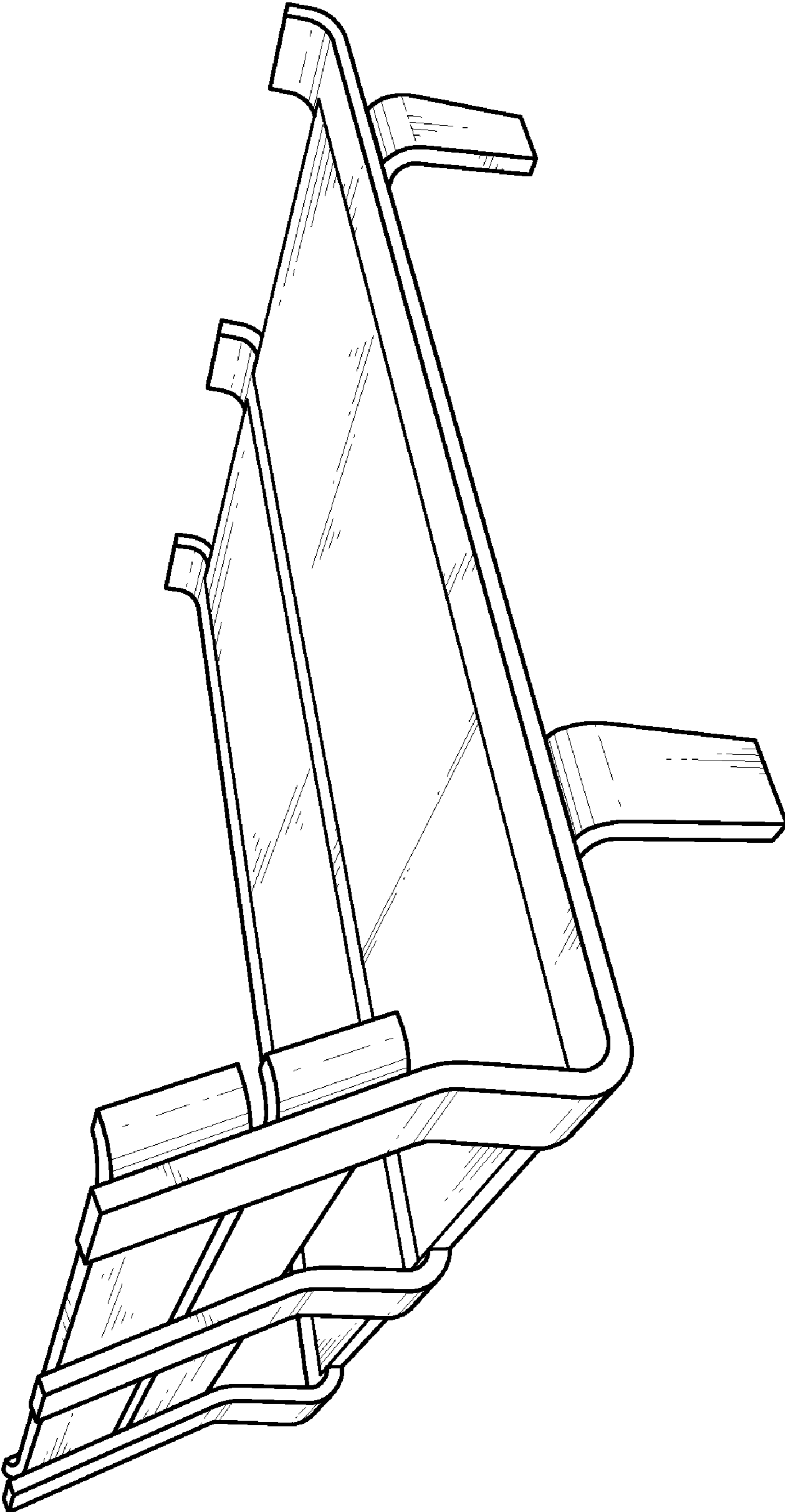


FIG. 2

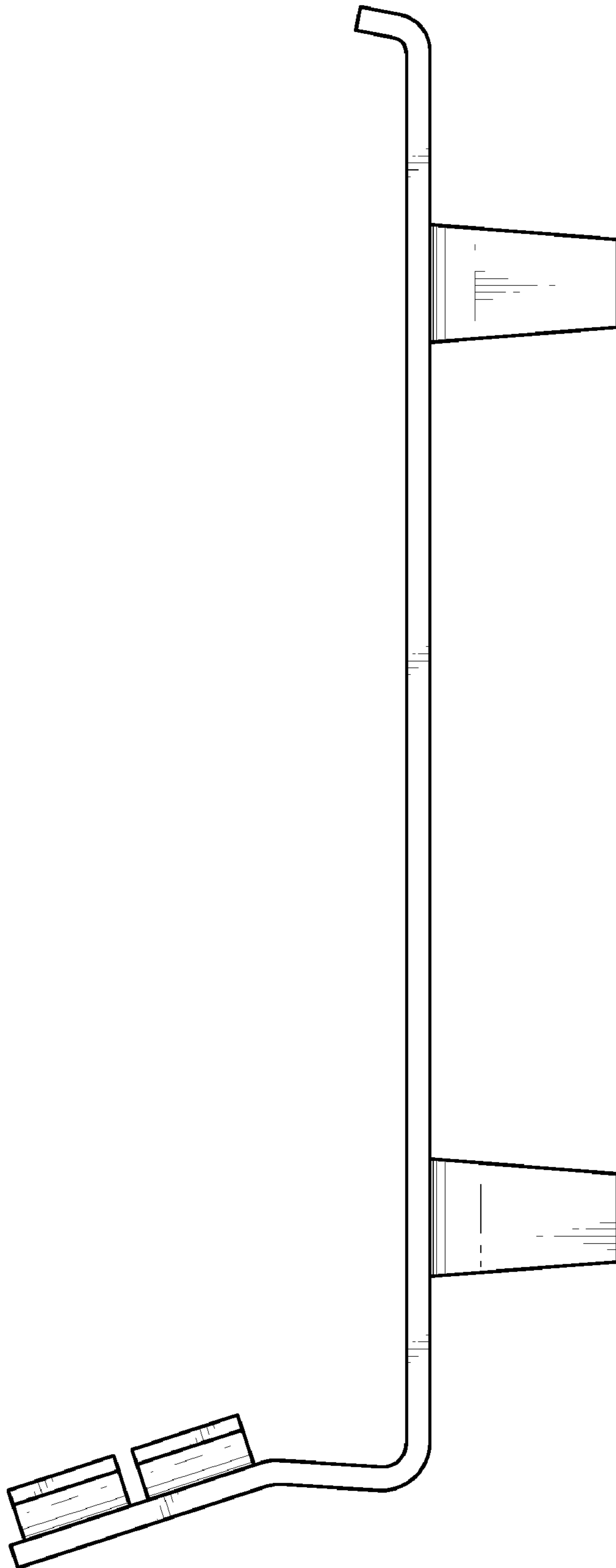


FIG. 3

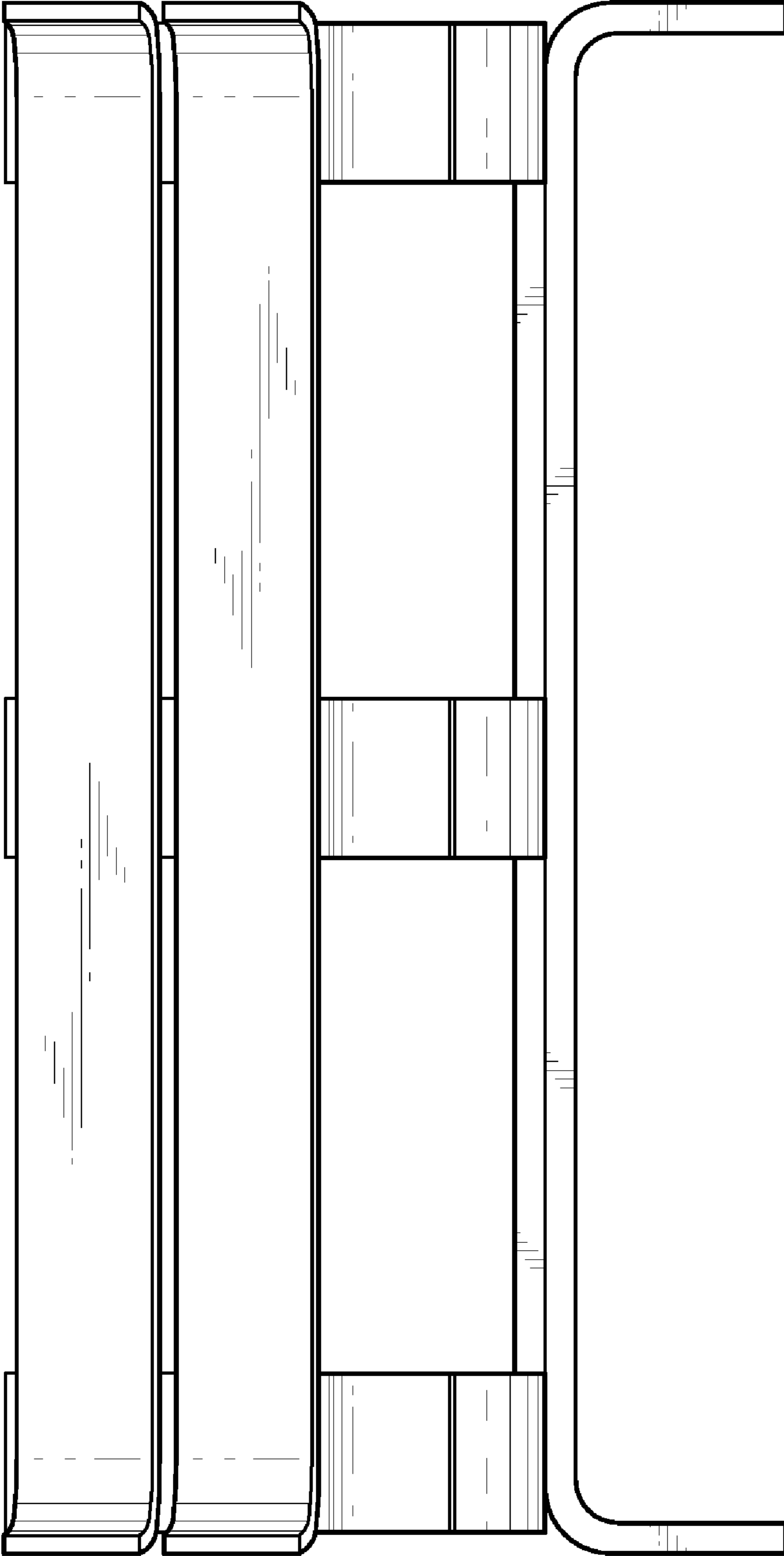


FIG. 4



FIG. 5

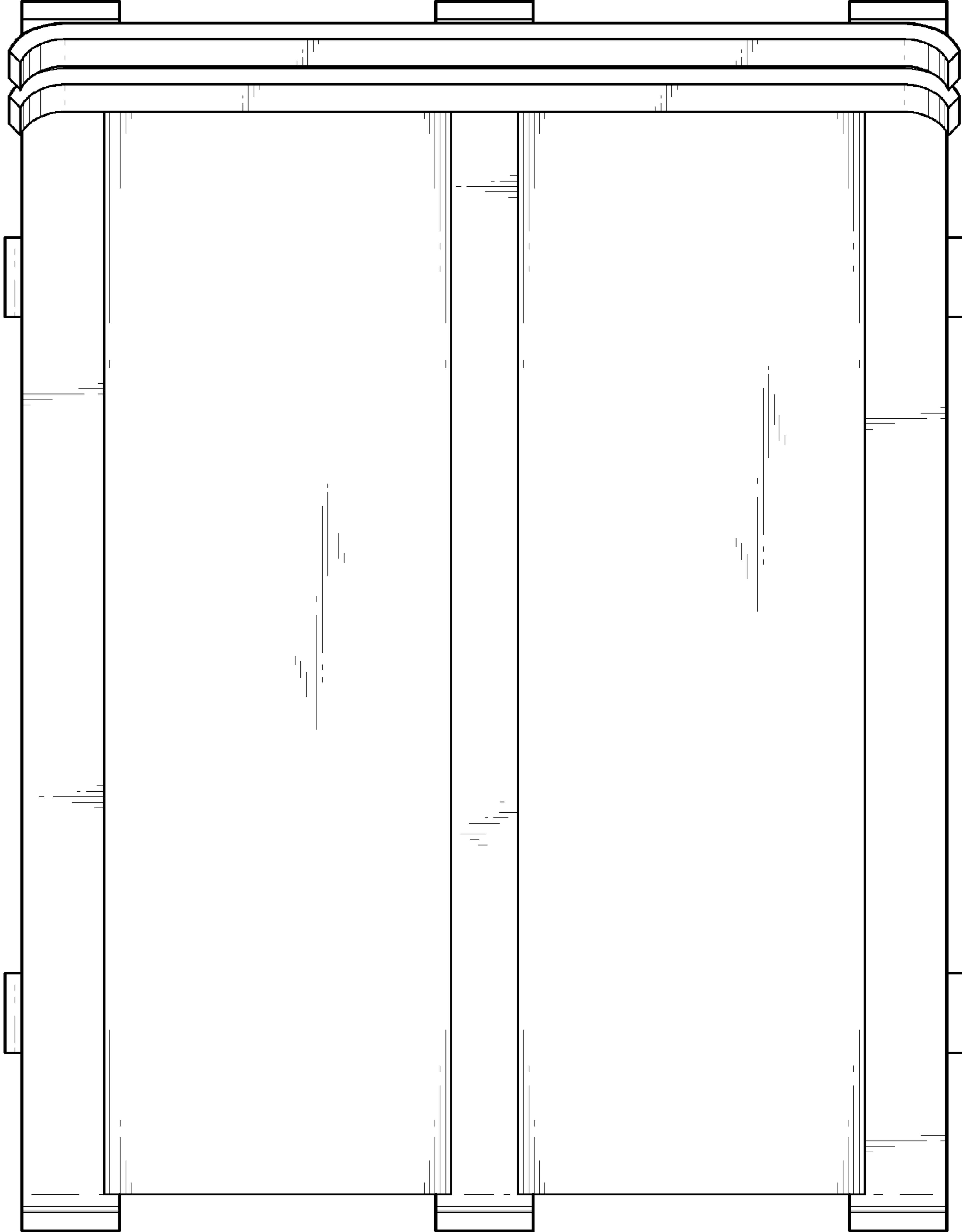


FIG. 6