



US00D564777S

(12) **United States Design Patent**
Mohundro

(10) **Patent No.:** **US D564,777 S**

(45) **Date of Patent:** **** *Mar. 25, 2008**

(54) **BED**

(76) **Inventor:** **James Glenn Mohundro**, 3F-4 No.
161, Kung-I Road, Taichung City (TW)

(*) **Notice:** This patent is subject to a terminal disclaimer.

(**) **Term:** **14 Years**

(21) **Appl. No.:** **29/229,577**

(22) **Filed:** **May 10, 2005**

(51) **LOC (8) Cl.** **06-01**

(52) **U.S. Cl.** **D6/393**

(58) **Field of Classification Search** D6/382-384,
D6/388, 393-395, 505-508; 5/53.1, 907,
5/279.1, 280, 281

See application file for complete search history.

(56) **References Cited**

U.S. PATENT DOCUMENTS

D63,662 S * 12/1923 Schmitt D6/393
2,075,319 A * 3/1937 Wilkie 5/280

D373,486 S * 9/1996 Keller et al. D6/393

D466,328 S * 12/2002 Risdon D6/393

D472,068 S * 3/2003 Risdon et al. D6/393

D481,220 S * 10/2003 Paus D6/393

D499,912 S * 12/2004 Mohundro D6/505

D516,339 S * 3/2006 Mohundro D6/393

* cited by examiner

Primary Examiner—Janice E. Seeger

(57) **CLAIM**

The ornamental design for a bed, as shown and described.

DESCRIPTION

FIG. 1 is a perspective view of a bed, showing my new design;

FIG. 2 is a front elevational view thereof;

FIG. 3 is a rear elevational view thereof;

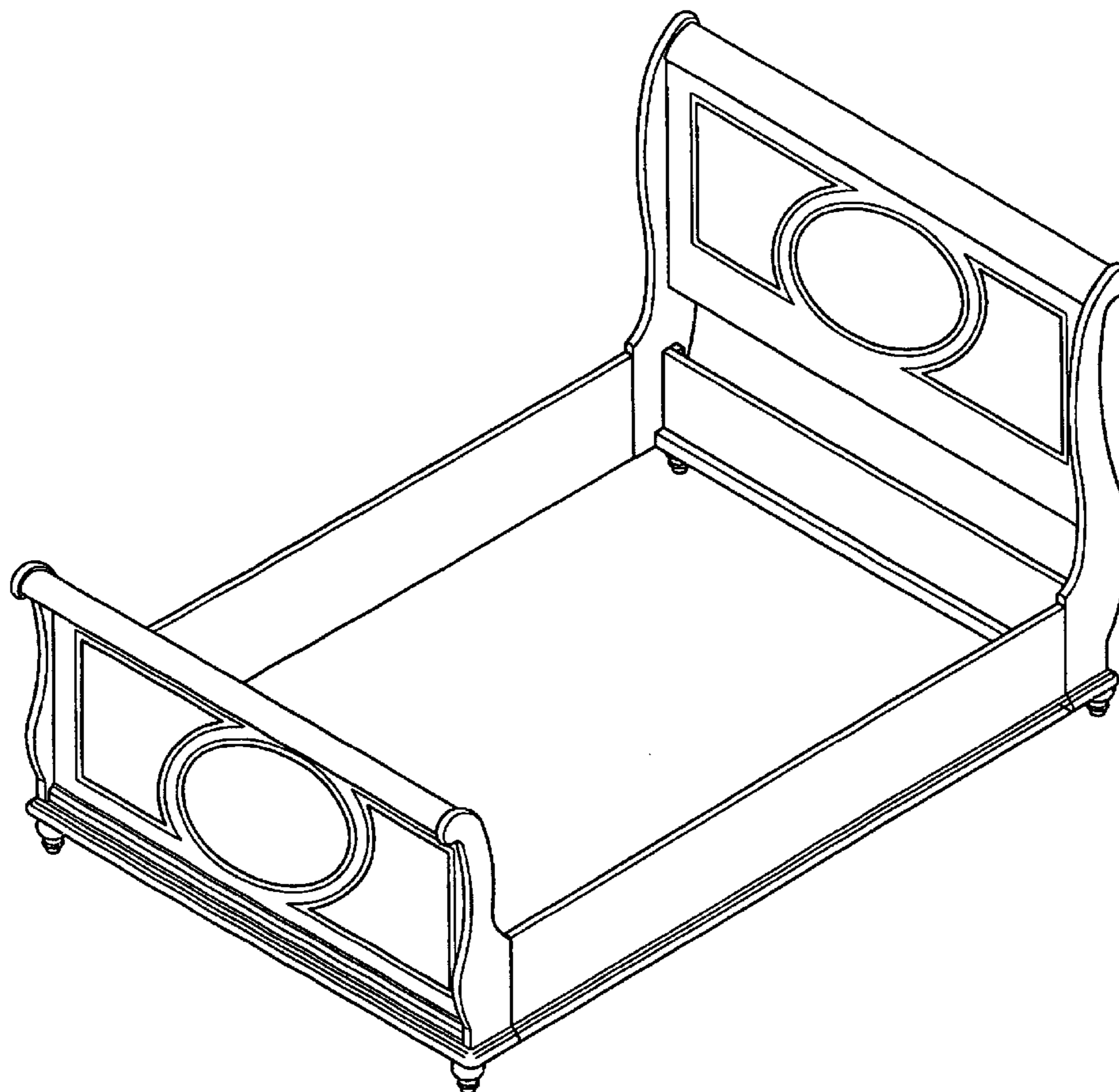
FIG. 4 is a left elevational view thereof;

FIG. 5 is a right elevational view thereof;

FIG. 6 is a top plan view thereof; and,

FIG. 7 is a bottom plan view thereof.

1 Claim, 7 Drawing Sheets



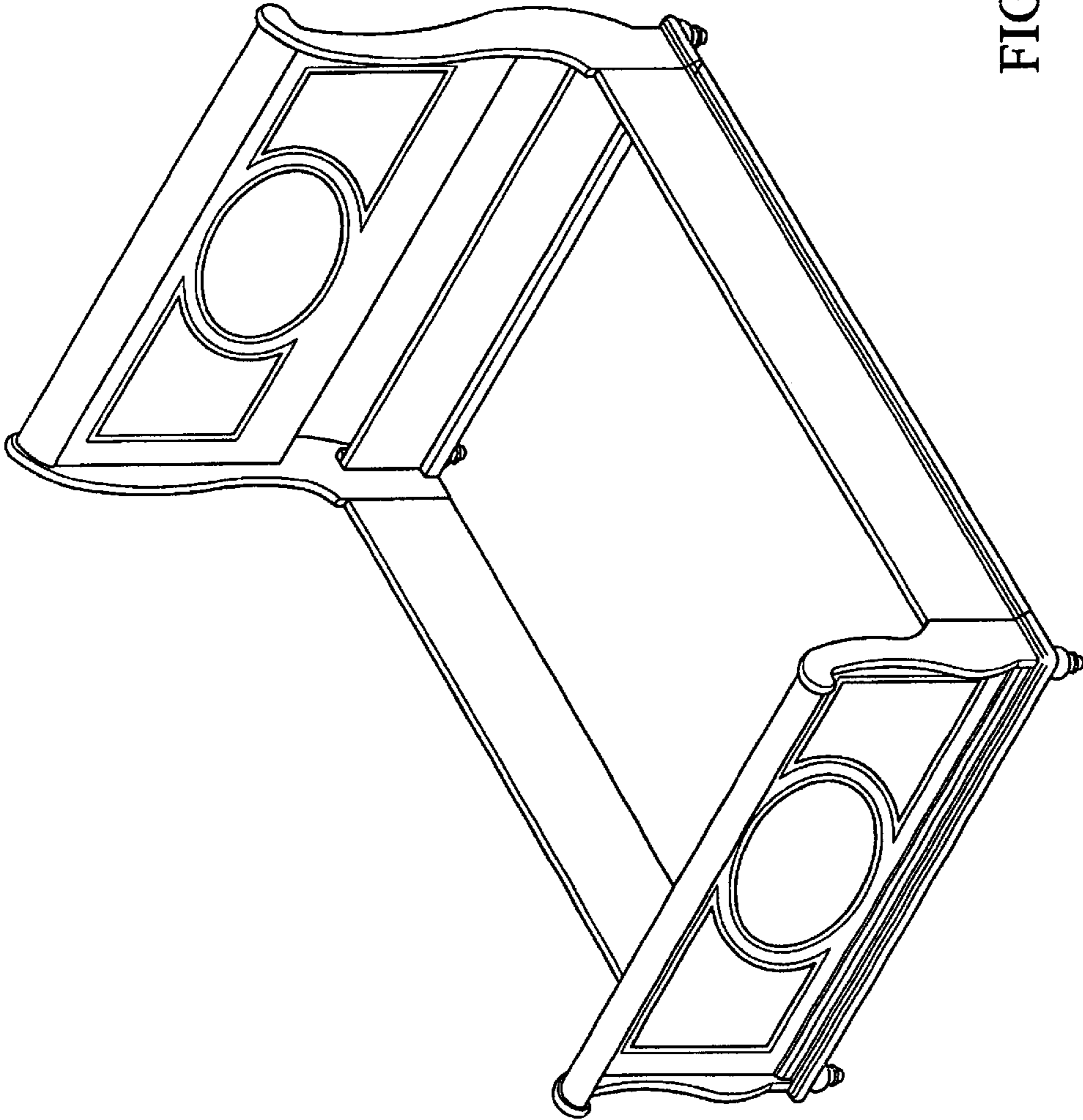


FIG.1

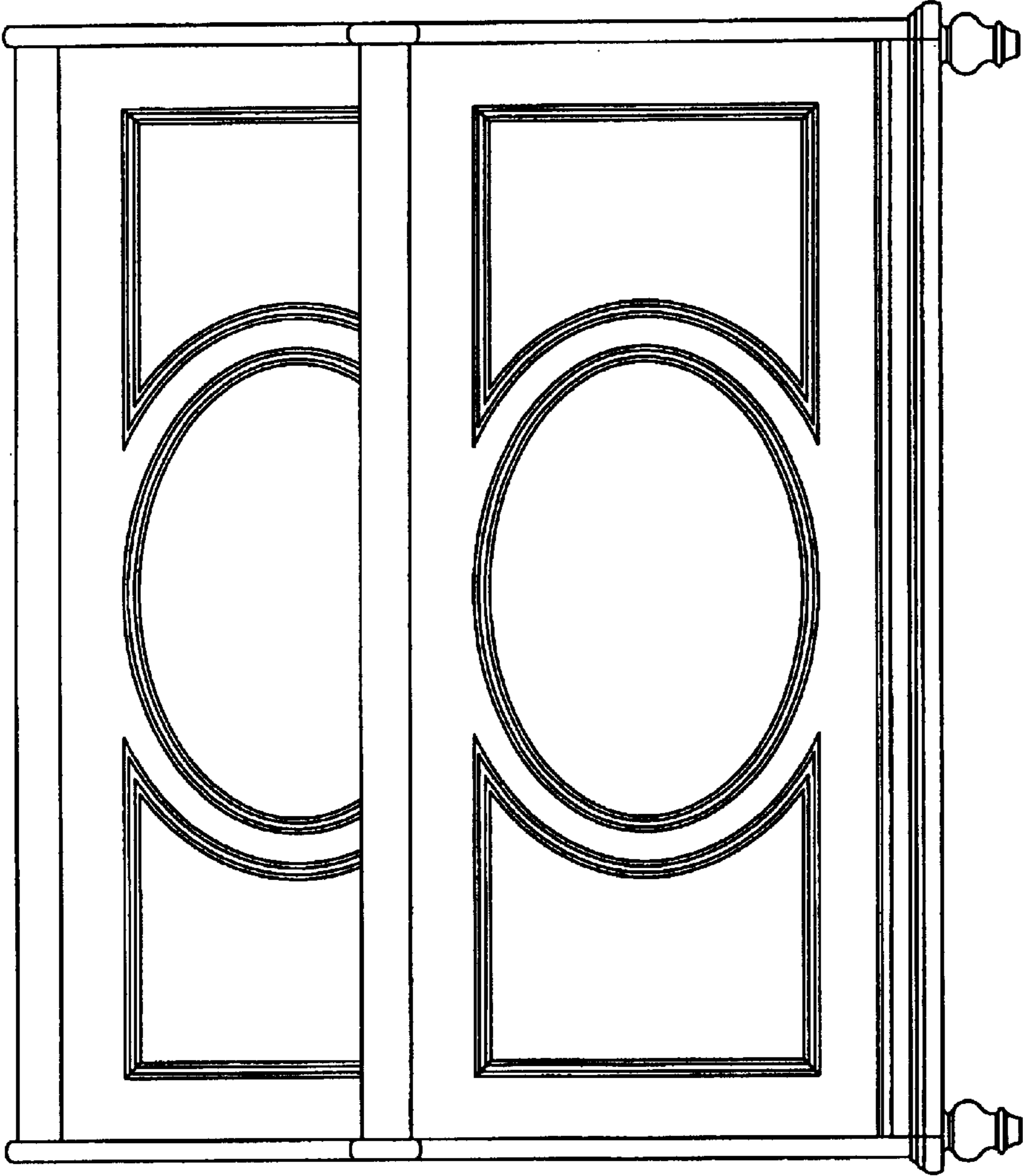


FIG.2

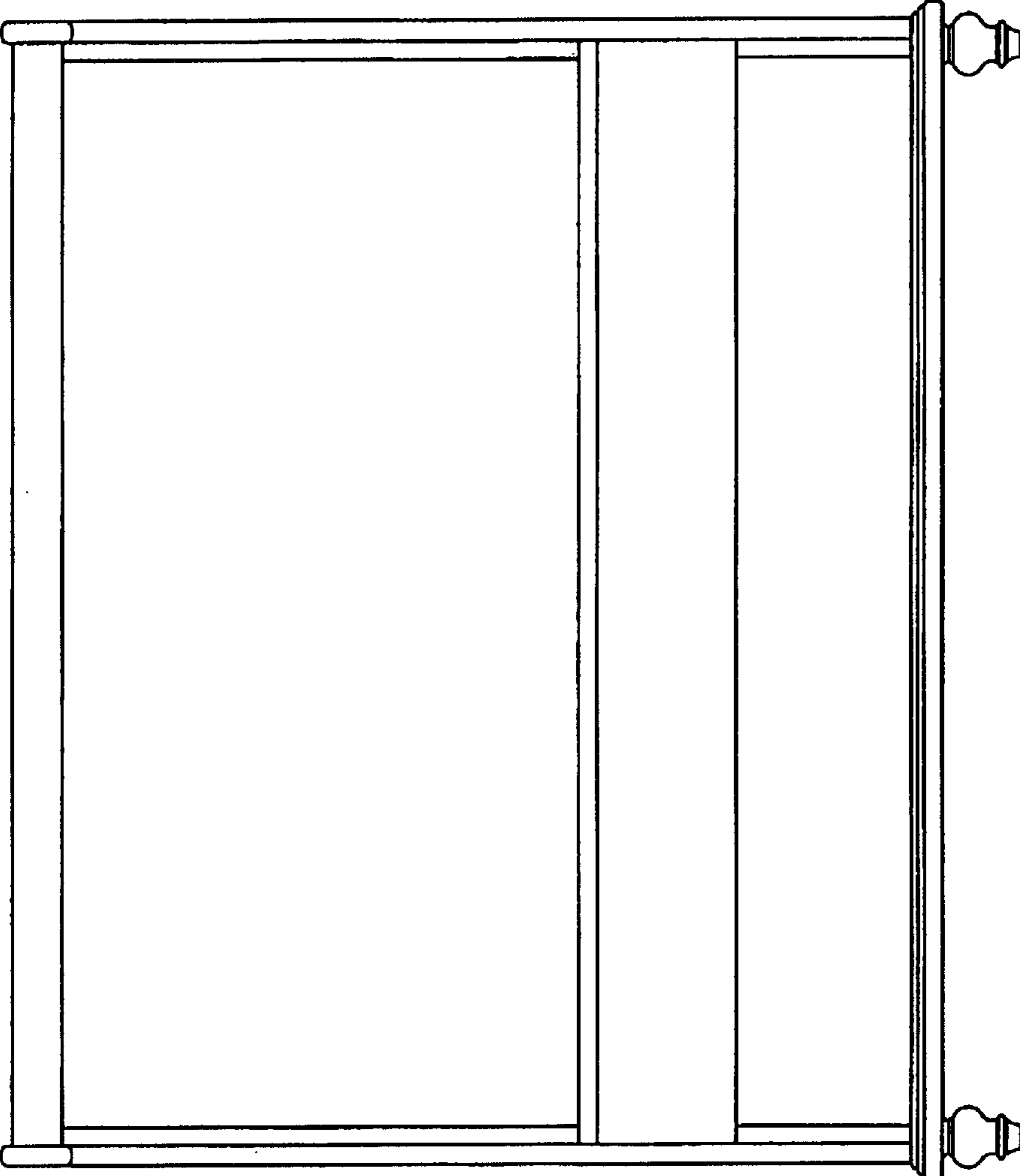


FIG.3

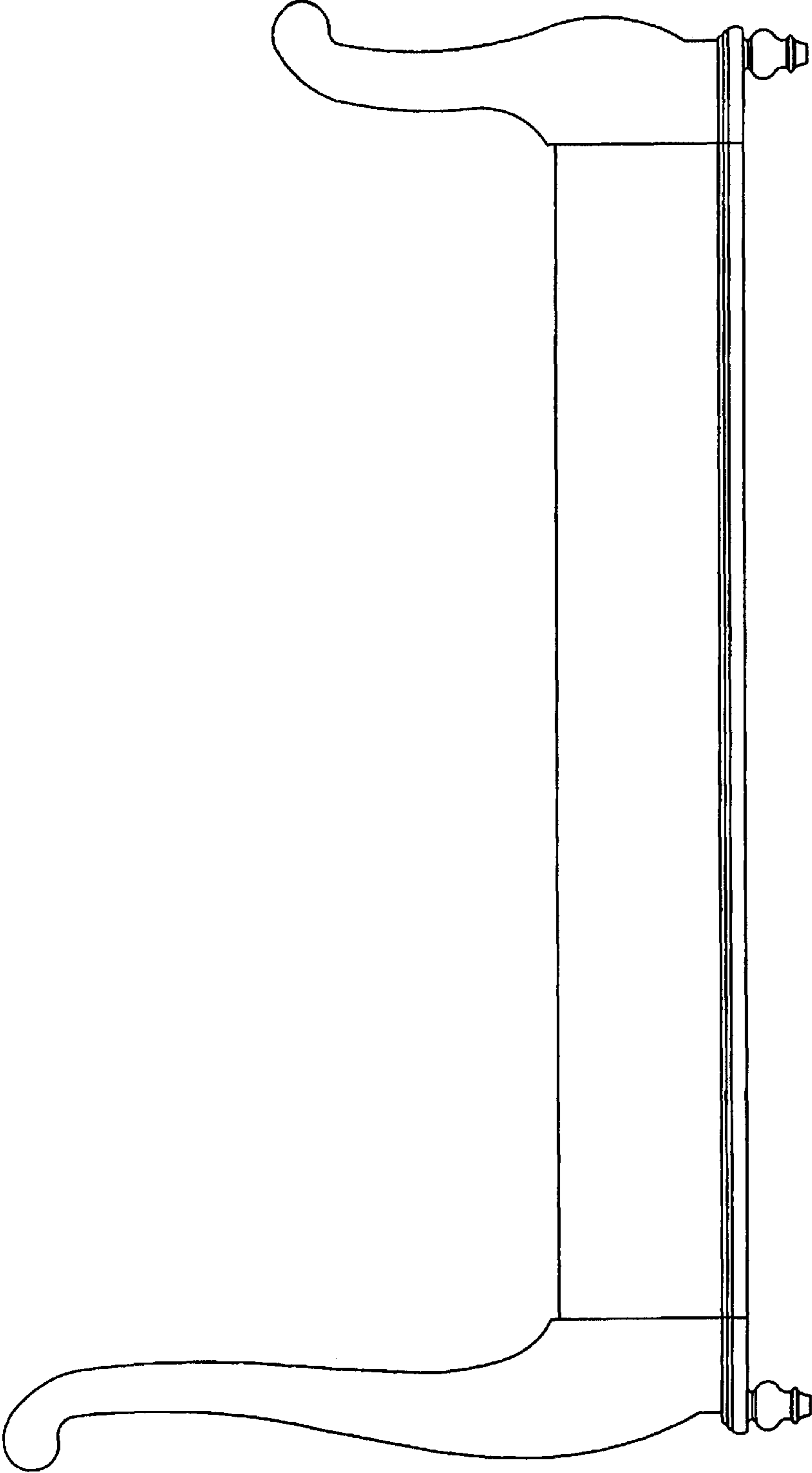


FIG.4

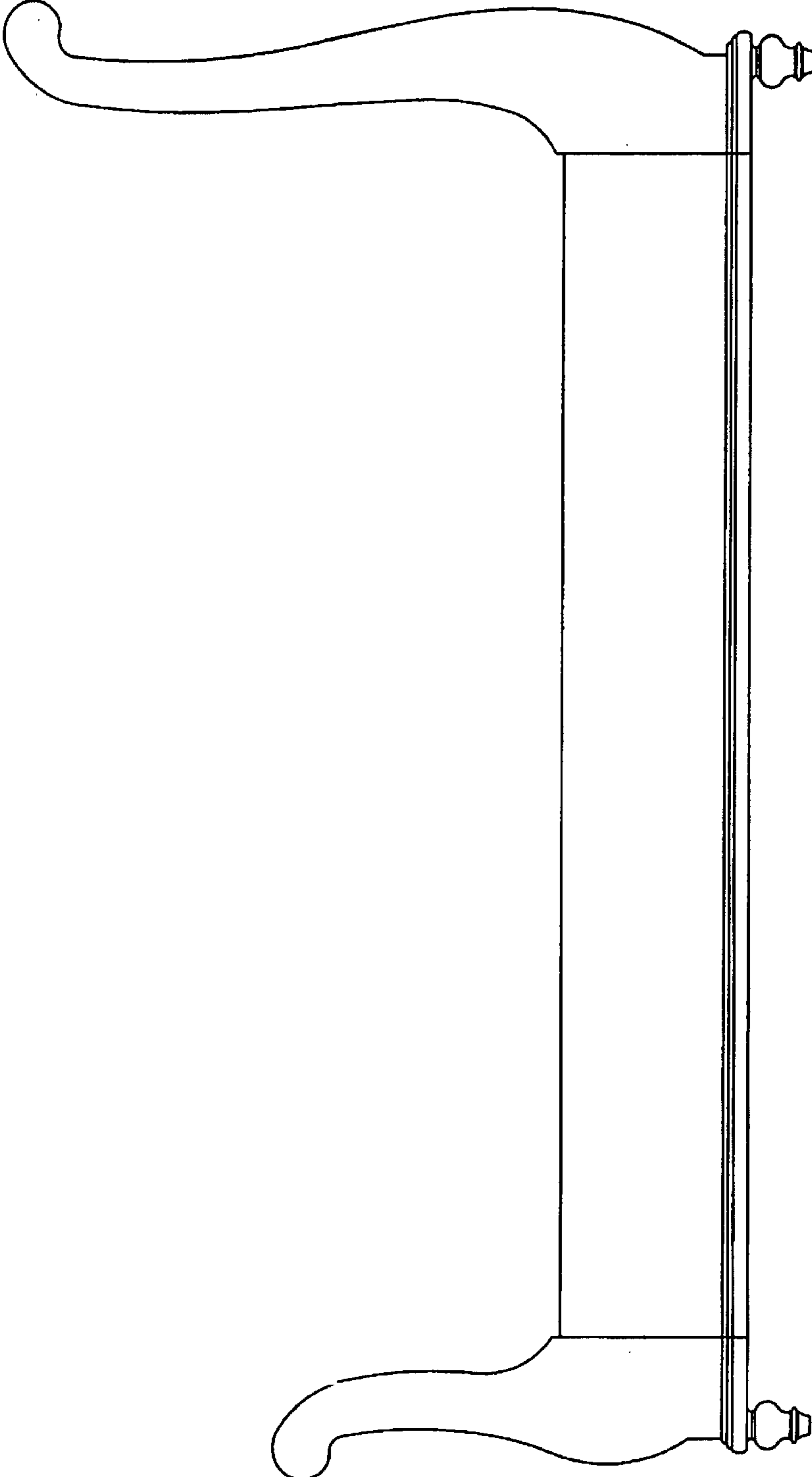


FIG.5

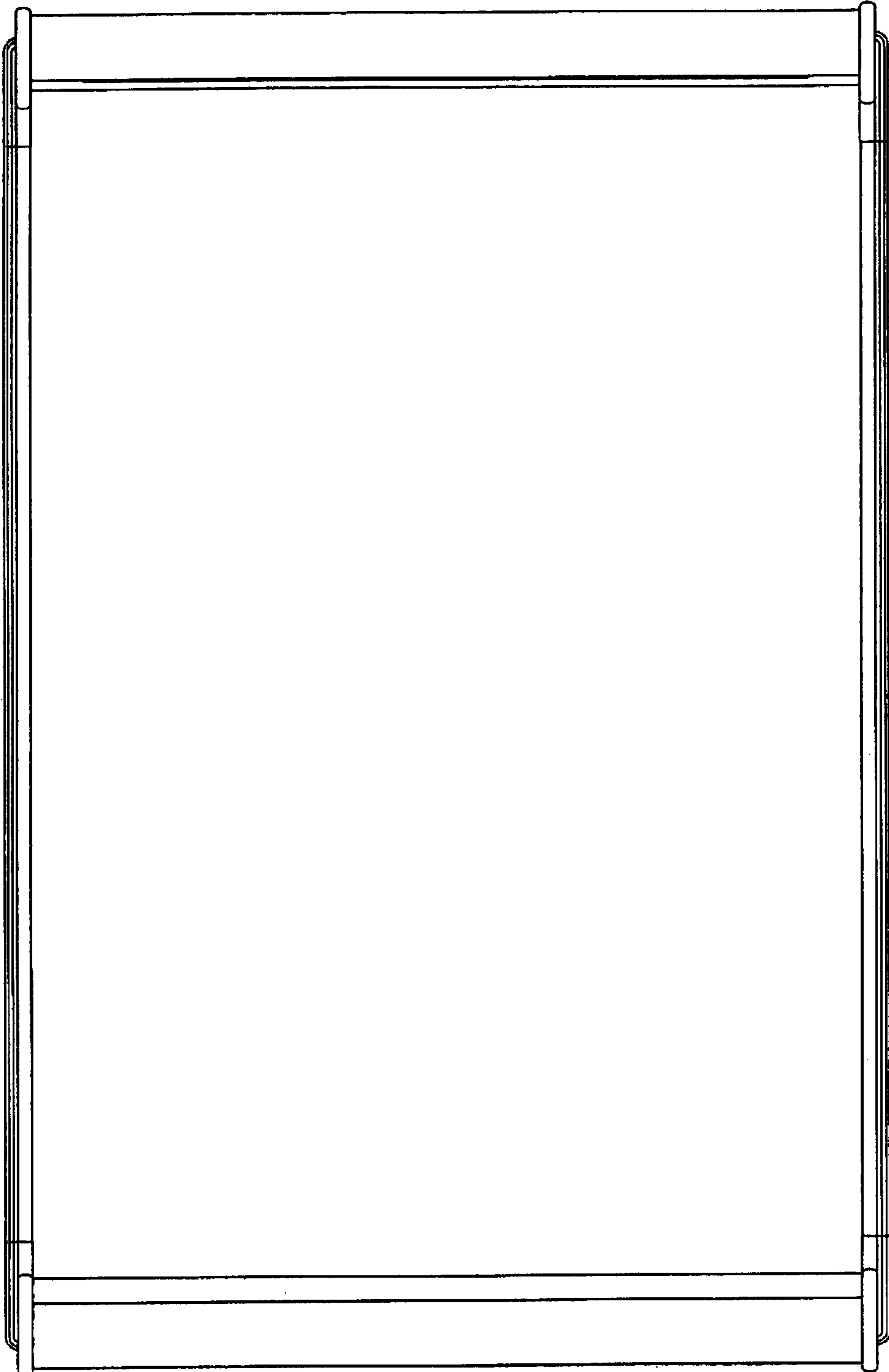


FIG.6

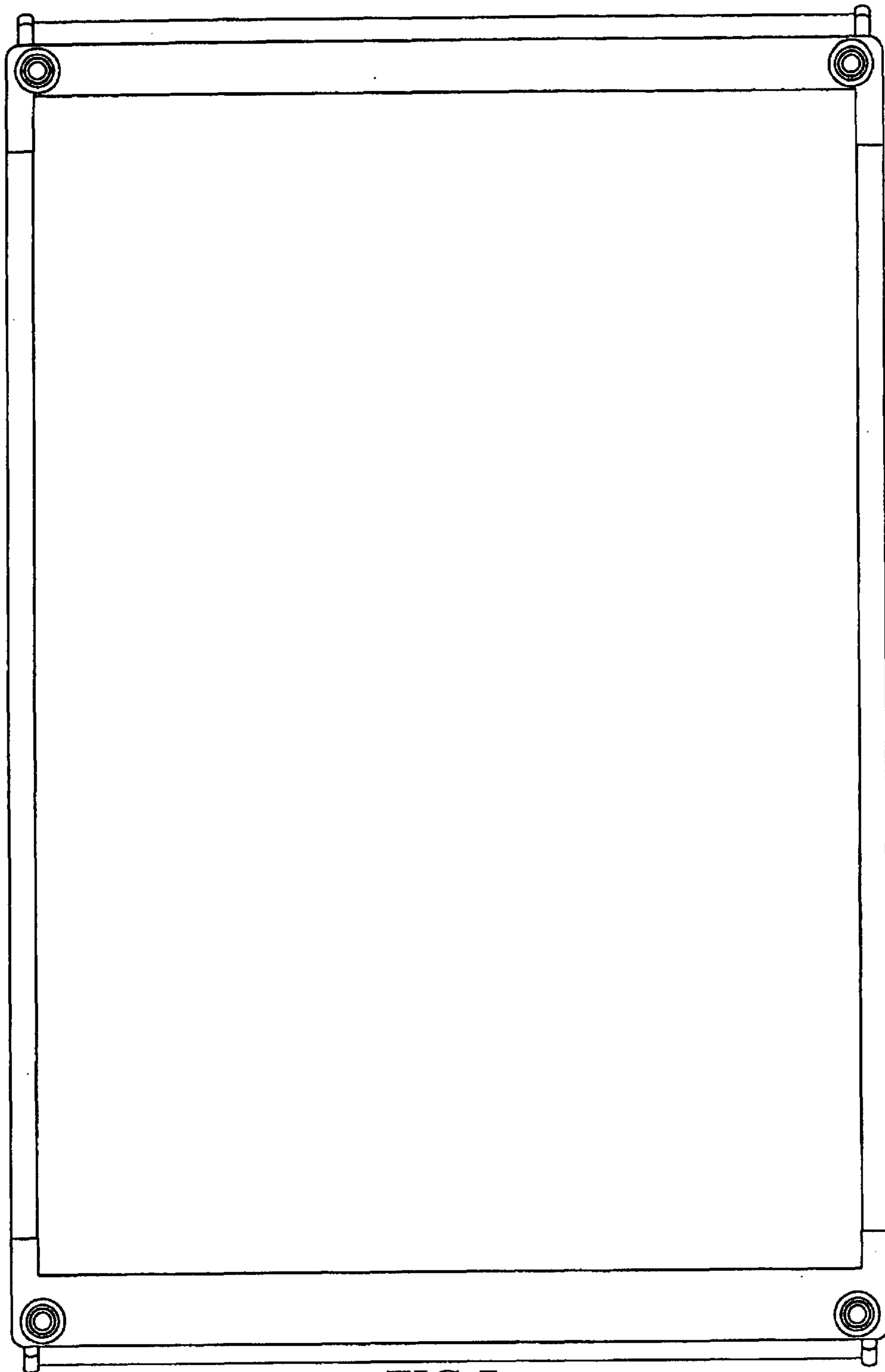


FIG.7