



US00D564772S

(12) **United States Design Patent**
Alter Molina et al.

(10) **Patent No.:** **US D564,772 S**
(45) **Date of Patent:** **** Mar. 25, 2008**

(54) **CHAIR**

(75) Inventors: **Lievore Alter Molina**, Barcelona (ES);
Rodolfo Dordoni, Milan (IT); **Claudio Feltrin**, Treviso (IT)

(73) Assignee: **Arper S.p.A.**, Monastier Di Treviso (IT)

(**) Term: **14 Years**

(21) Appl. No.: **29/271,299**

(22) Filed: **Jan. 16, 2007**

Related U.S. Application Data

(62) Division of application No. 29/216,745, filed on Nov. 8, 2004, now Pat. No. Des. 550,466.

(30) **Foreign Application Priority Data**

May 14, 2004 (EM) 183918

(51) **LOC (8) Cl.** **06-01**

(52) **U.S. Cl.** **D6/375**

(58) **Field of Classification Search** D6/375,
D6/334-335, 339, 360, 364-367, 371-373,
D6/379, 380, 498, 500-502; 297/411.2,
297/411.23, 411.24, 411.25, 411.27, 411.28,
297/452.3, 452.11, 452.12, 452.14, 452.29
See application file for complete search history.

(56) **References Cited**

U.S. PATENT DOCUMENTS

D258,853 S * 4/1981 Zola D6/379

D368,379 S * 4/1996 Muller D6/360
D468,918 S * 1/2003 de Blois D6/360
D468,919 S * 1/2003 Juneau D6/360

* cited by examiner

Primary Examiner—Robert M. Spear

Assistant Examiner—Katrina A Kile

(74) *Attorney, Agent, or Firm*—Scully, Scott, Murphy & Presser, P.C.

(57) **CLAIM**

The ornamental design for a chair, as shown and described.

DESCRIPTION

FIG. 1 is a front and side perspective view of a chair, showing our new design;

FIG. 2 is a front view thereof;

FIG. 3 is a rear view thereof;

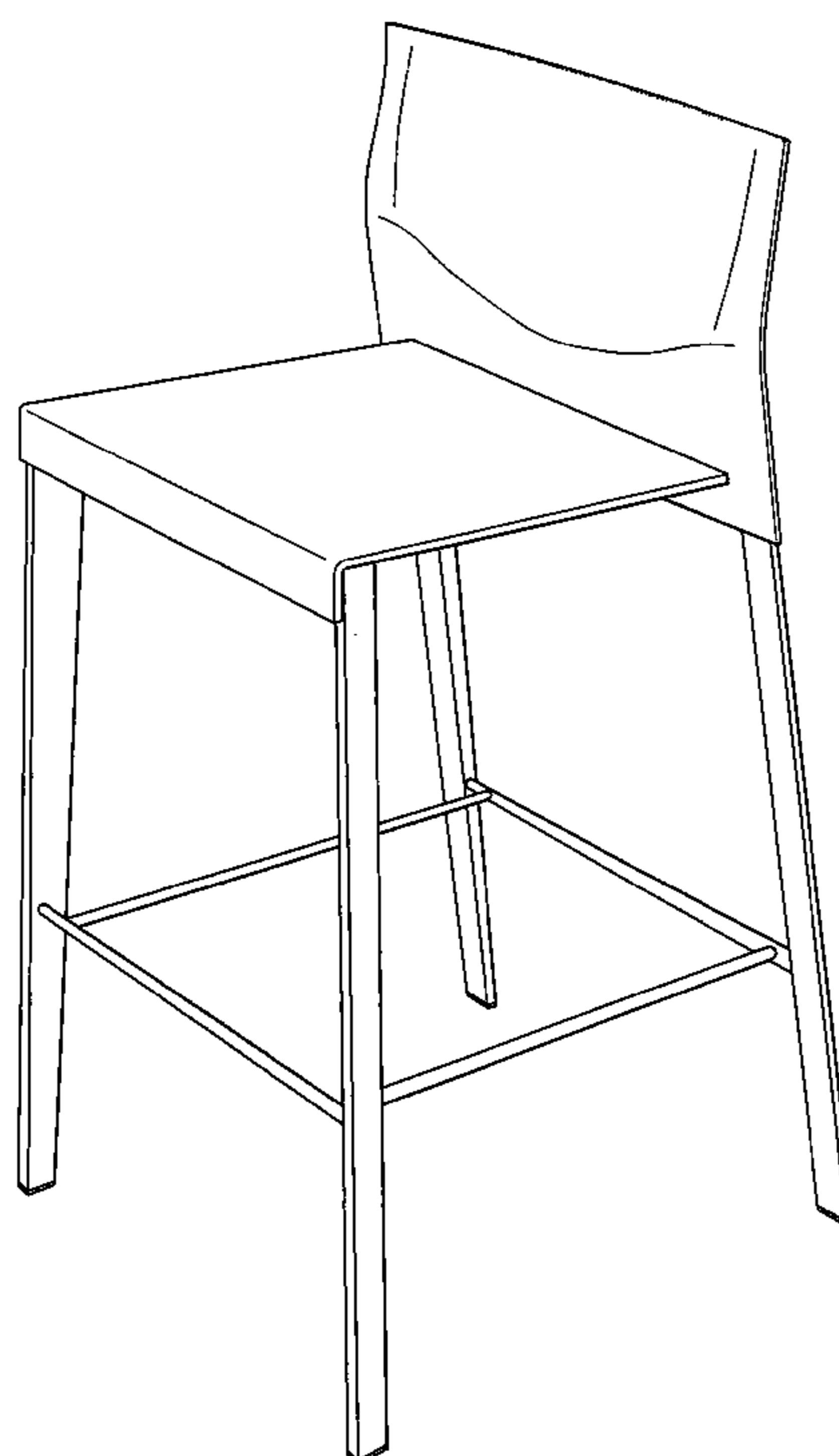
FIG. 4 is a left side view thereof;

FIG. 5 is a right side view thereof;

FIG. 6 is a top view thereof; and,

FIG. 7 is a bottom view thereof.

1 Claim, 7 Drawing Sheets



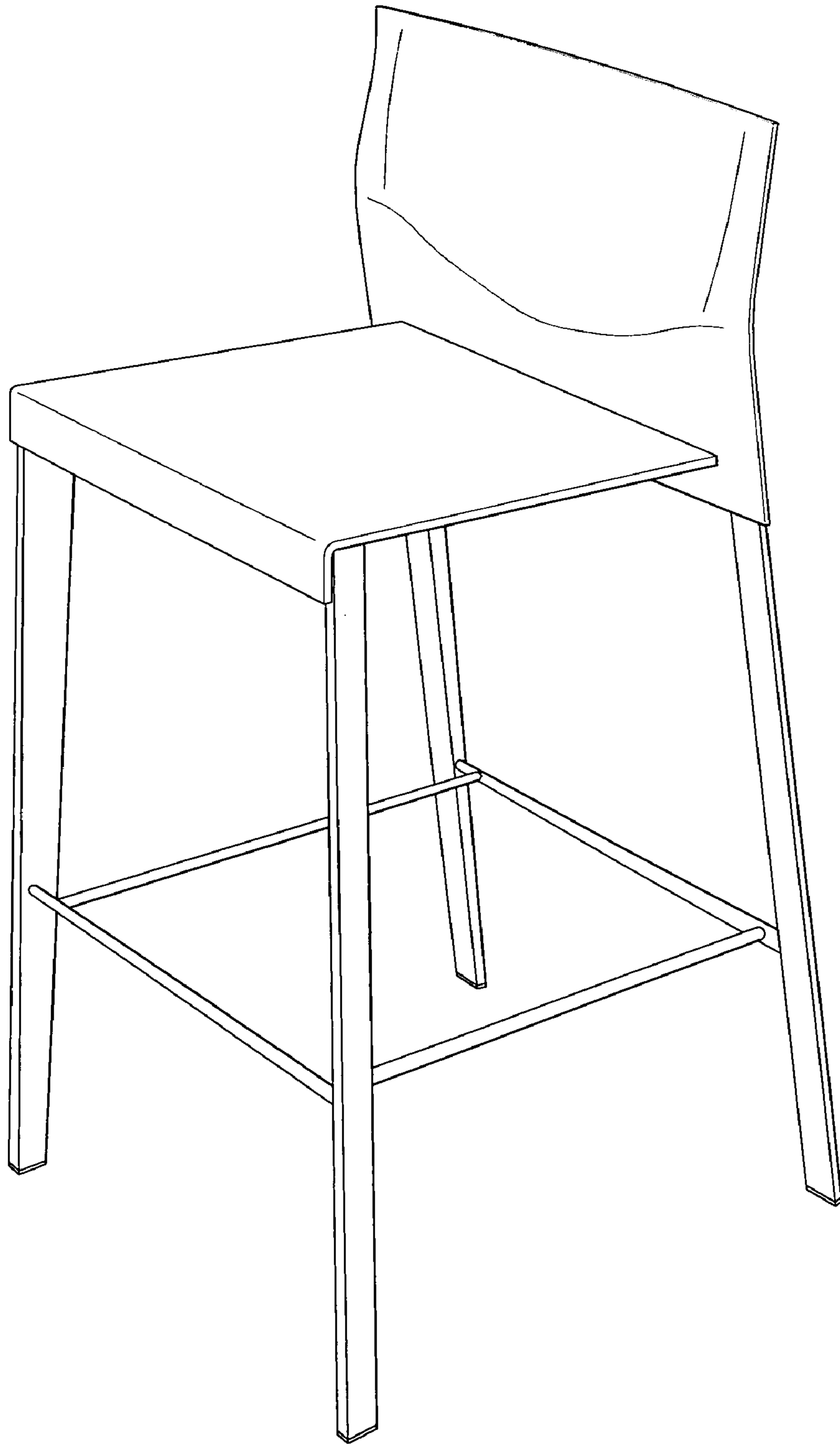


Fig. 1

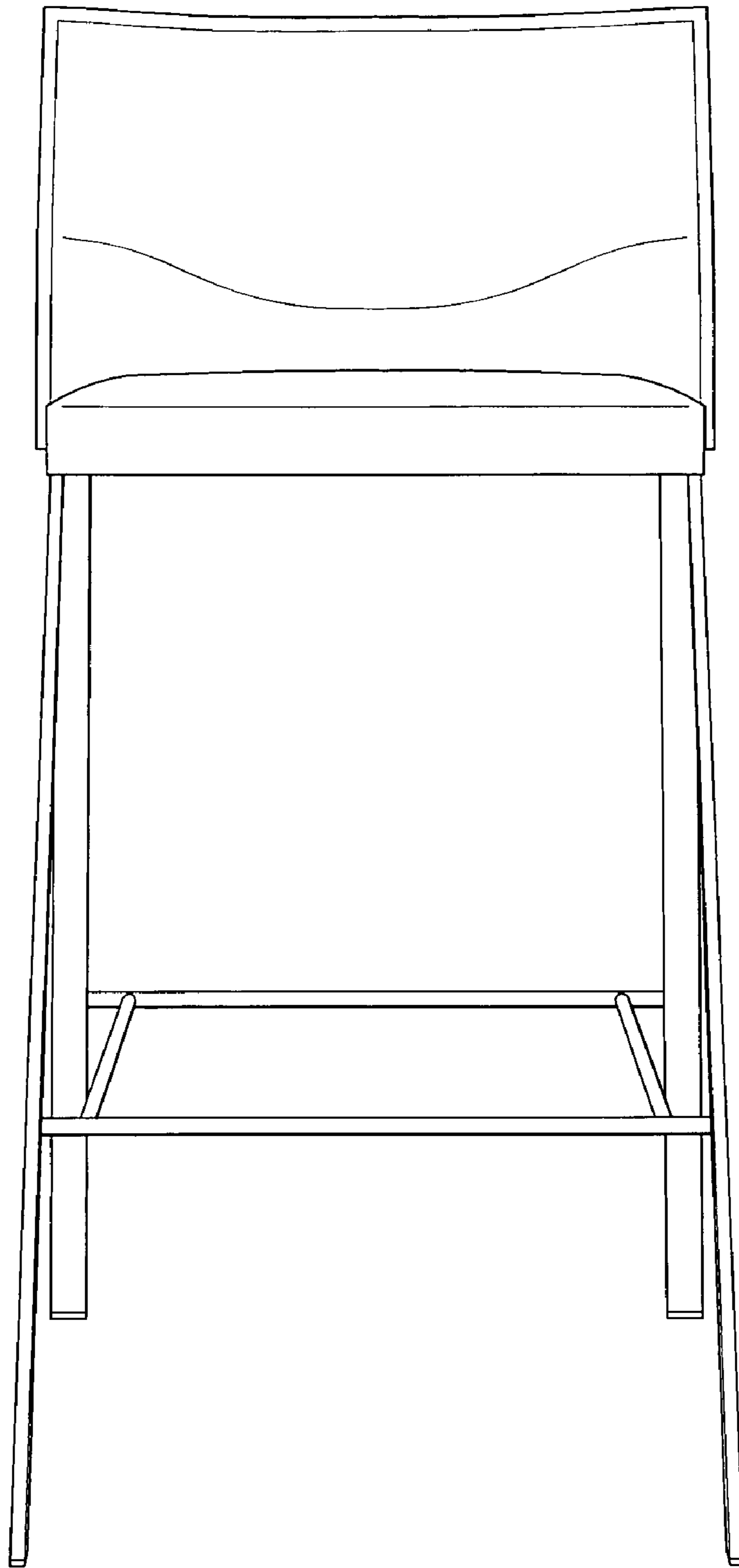


Fig. 2

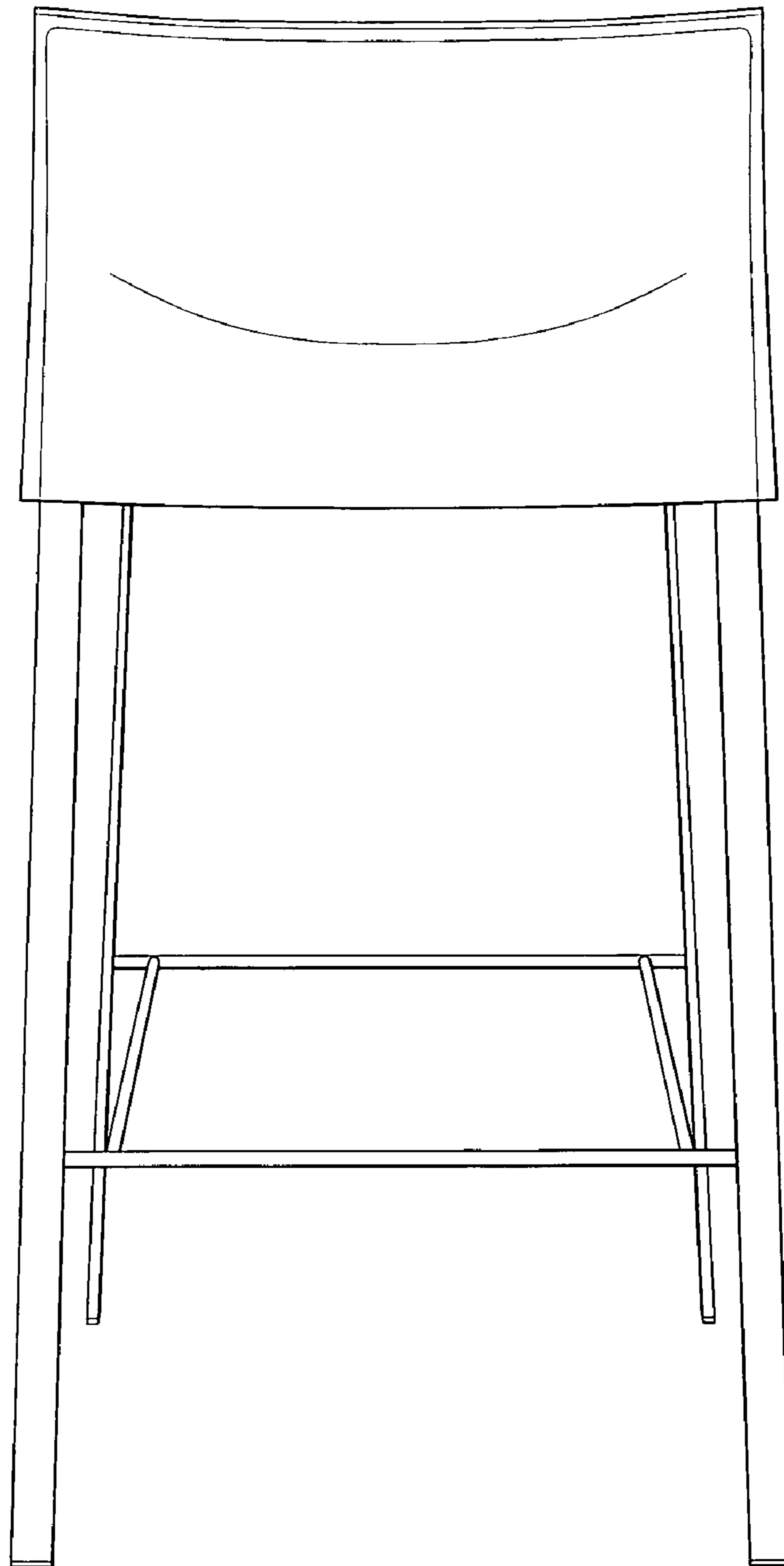


Fig. 3

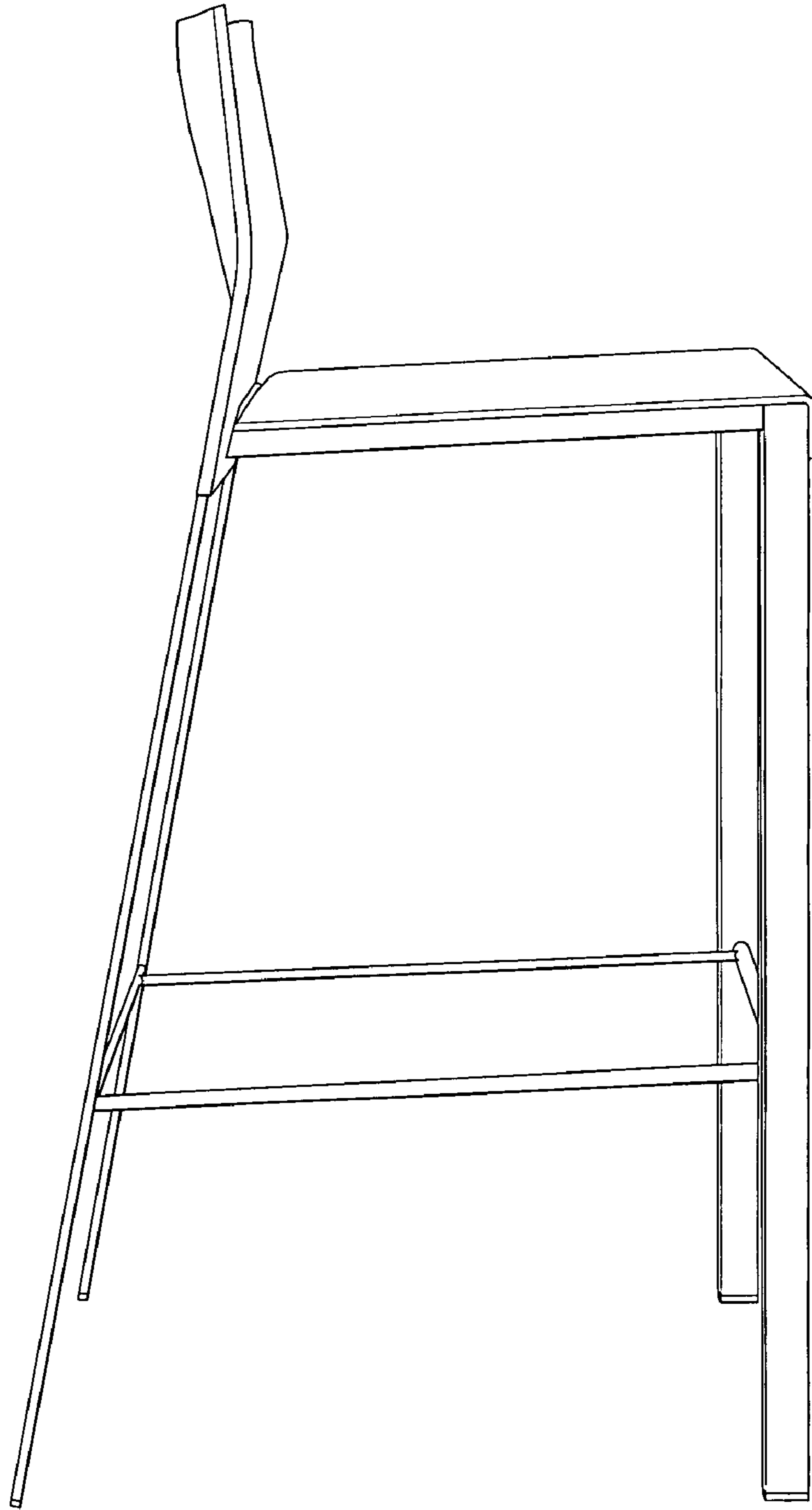


Fig. 4

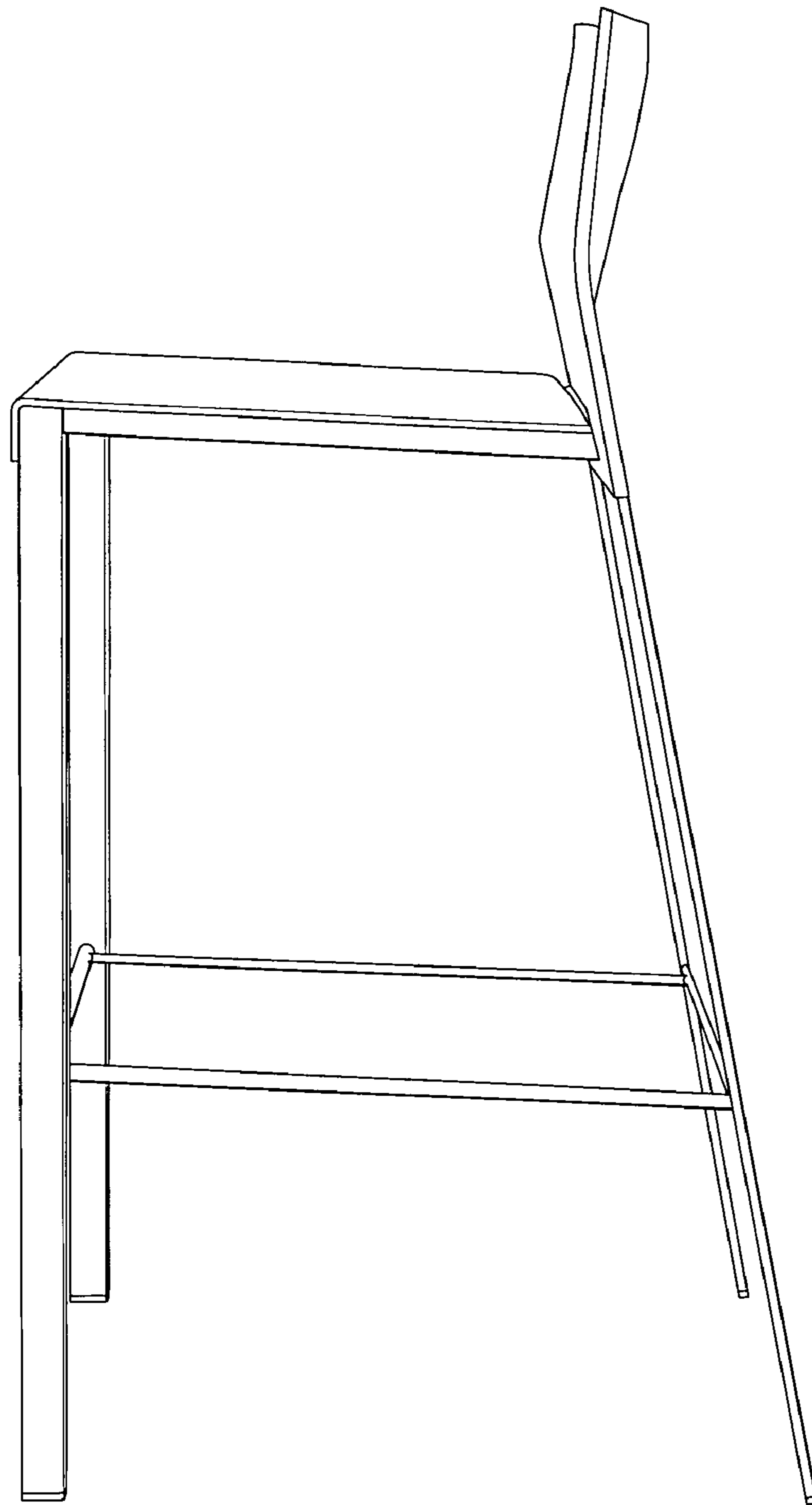


Fig. 5

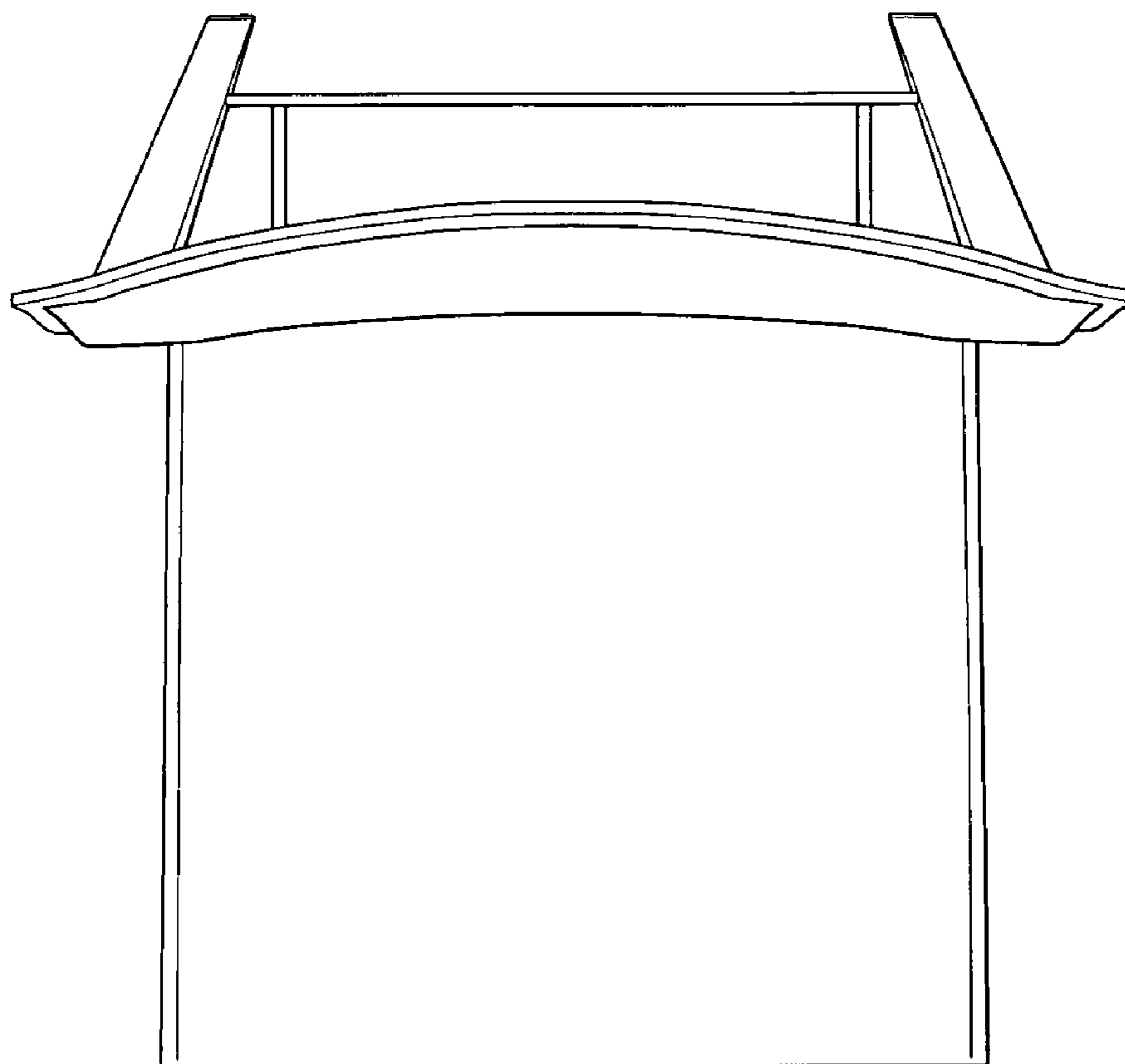


Fig. 6

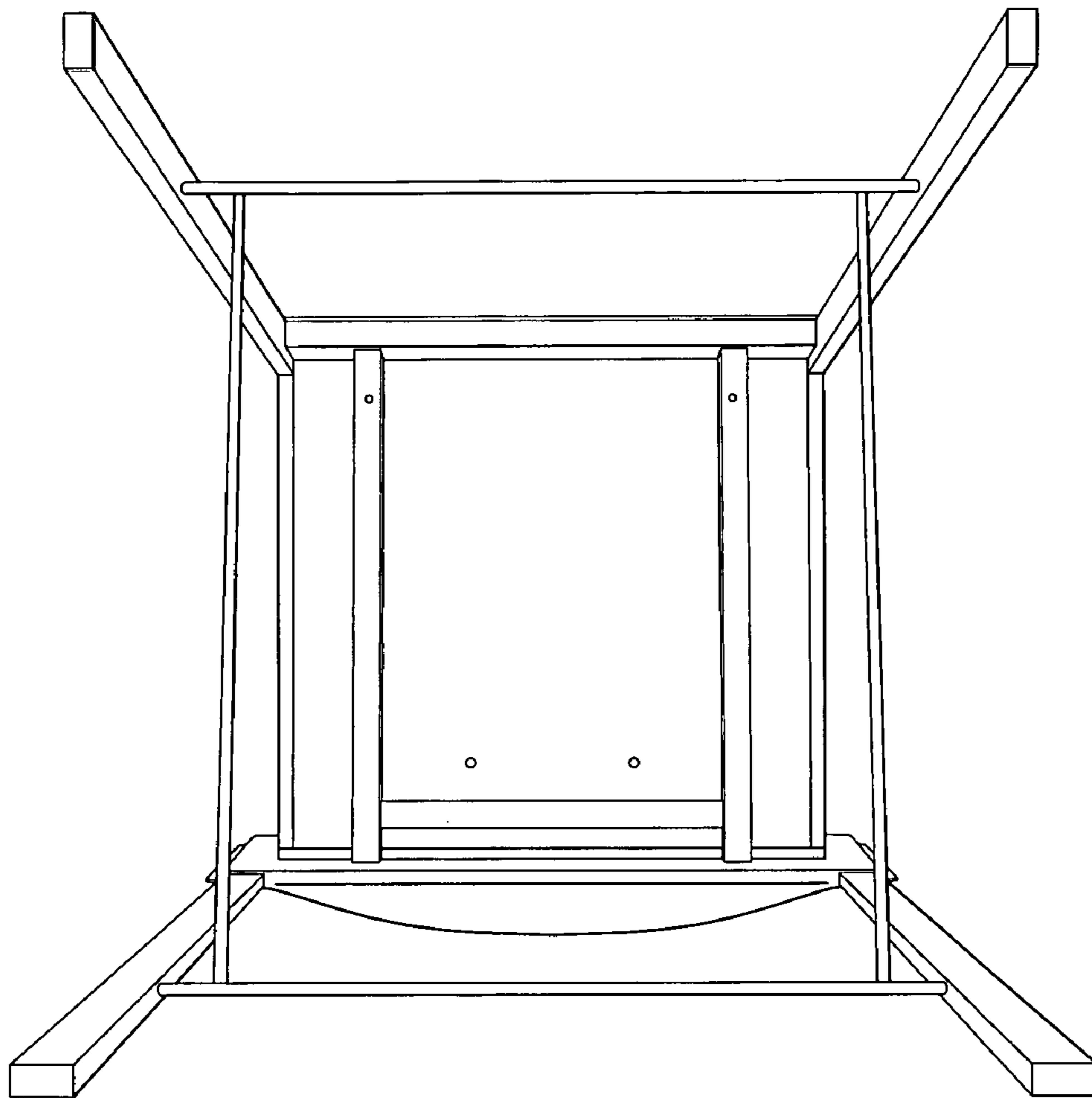


Fig. 7