

US00D564768S

(12) **United States Design Patent** (10) **Patent No.:** **US D564,768 S**
Glass et al. (45) **Date of Patent:** **** Mar. 25, 2008**

(54) **TASK CHAIR**

(75) Inventors: **Peter Glass**, Arroyo Grande, CA (US);
Robert J. Mills, Torrance, CA (US);
Jamie Toland, Russellville, AK (US)

(73) Assignee: **Virco Mgmt. Corporation**, Torrance,
CA (US)

(**) Term: **14 Years**

(21) Appl. No.: **29/291,025**

(22) Filed: **Aug. 10, 2007**

(51) **LOC (8) Cl.** **06-01**

(52) **U.S. Cl.** **D6/366; D6/375**

(58) **Field of Classification Search** D6/334-336,
D6/360, 364-367, 372-375, 379, 380, 498,
D6/500-502; 297/344.12, 423.38, 440.21,
297/446.1, 452.12, 452.14, 452.19, 452.2
See application file for complete search history.

(56) **References Cited**

U.S. PATENT DOCUMENTS

D127,977 S	7/1941	Shepherd	
D192,419 S	3/1962	Sullivan	
D197,643 S	3/1964	Kramer	
D202,549 S	10/1965	Kramer	
D202,550 S	10/1965	Kramer	
D220,388 S	4/1971	Kramer	
D228,536 S	10/1973	Sottsass	
D233,398 S	8/1974	Sottsass	
D233,807 S	12/1974	Ruf	
D233,808 S	12/1974	Ruf	
D236,173 S	8/1975	Ruf	
D239,791 S	5/1976	Alessandri	
D240,375 S	7/1976	Buhk	
D240,780 S	8/1976	Dittert	
D243,486 S	3/1977	Buhk	
D244,892 S *	7/1977	Koepke	D6/366
D249,302 S *	9/1978	Ruf	D6/366
D255,183 S *	6/1980	Locher	D6/366
D255,293 S *	6/1980	Locher	D6/366
D260,204 S	8/1981	Sapper	

D260,330 S	8/1981	Ruf	
D261,078 S	10/1981	Wilson	
D308,606 S	6/1990	Behringer	
5,123,702 A *	6/1992	Caruso	297/440.21
D405,617 S	2/1999	Kaczmarek et al.	
D409,407 S	5/1999	Wang	
D411,692 S	6/1999	Ogg	
D420,224 S	2/2000	Olson	

(Continued)

OTHER PUBLICATIONS

Virco Education Solutions 2007 General Catalog, pp. 10, 11, 21, 26,
35, and 41, model Nos. ZLAB, ZTASK18, ZGLAB, ZGTASK18,
266017GC, 3860GC, and 9260PGC, Nov. 2006.

(Continued)

Primary Examiner—Mimosa De
(74) *Attorney, Agent, or Firm*—Robert M. Hupe; Virco
Mgmt. Corporation

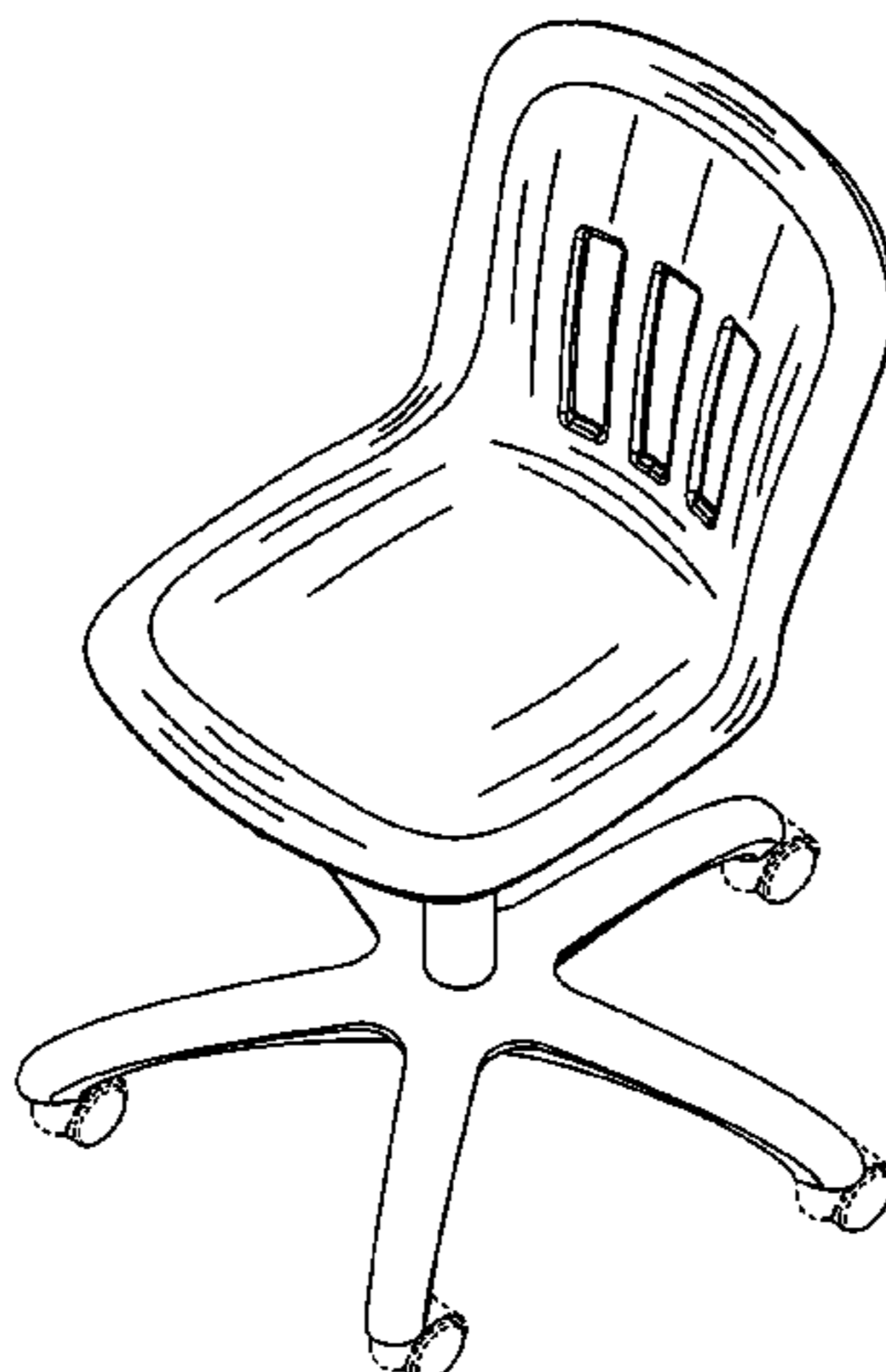
(57) **CLAIM**

The ornamental design for a “task chair,” as shown and
described.

DESCRIPTION

FIG. 1 is a top perspective view of a task chair showing my
new design;
FIG. 2 a front view thereof;
FIG. 3 is a left side view thereof, the opposite side view
being a mirror image thereof;
FIG. 4 is a top view thereof;
FIG. 5 is a bottom view thereof;
FIG. 6 is a back view thereof; and,
FIG. 7 is a bottom perspective view thereof.
The broken lines are for illustrative purposes only and form
no part of the claimed design.

1 Claim, 4 Drawing Sheets



US D564,768 S

Page 2

U.S. PATENT DOCUMENTS

D456,627 S 5/2002 Pearce et al.
D458,764 S 6/2002 Starck
D460,870 S 7/2002 Van De Riet et al.
D463,178 S 9/2002 Chu
D463,694 S 10/2002 Chu
D470,320 S 2/2003 Schloss
D471,024 S 3/2003 Chadwick et al.
D471,370 S 3/2003 Schmitz et al.
D473,407 S 4/2003 Ross
D474,040 S 5/2003 Meda
D477,925 S 8/2003 Lucci et al.
D487,642 S 3/2004 Lucci et al.
D488,630 S 4/2004 McCann
D503,559 S * 4/2005 Glass et al. D6/372
D504,026 S 4/2005 Glass et al.
D507,893 S * 8/2005 Glass et al. D6/360

D514,339 S 2/2006 Glass et al.
D520,254 S 5/2006 Kinoshita
D520,764 S 5/2006 Kinoshita
D522,265 S * 6/2006 Glass et al. D6/375
D547,980 S * 8/2007 Glass et al. D6/500

OTHER PUBLICATIONS

Artco-Bell Corporation School Furniture catalog, pp. 15 and 18
model Nos. 7P80, 8P90, and QP90, undated.
Scholar Craft School Furniture catalog, pp. 29 and 30, model Nos.
190, and 110, undated.
Artco-Bell Corporation Discover Catalog, p. 14, model Nos. DP9X
and DPLX, Nov. 2006.
Hon Company Hon for Learning Catalog, pp. 11 and 14, model Nos.
G21, G41, and 5901.

* cited by examiner

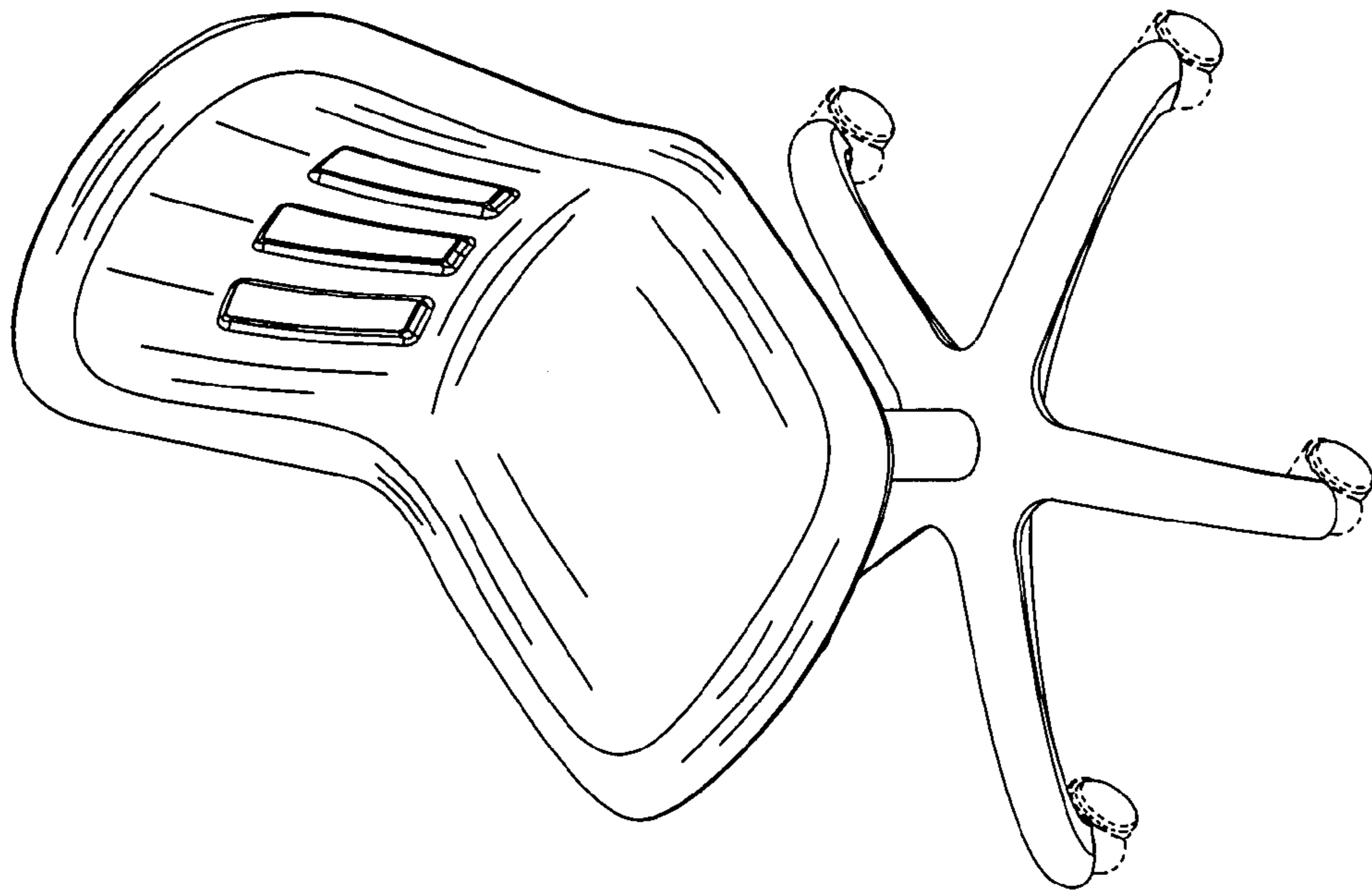


Fig. 1

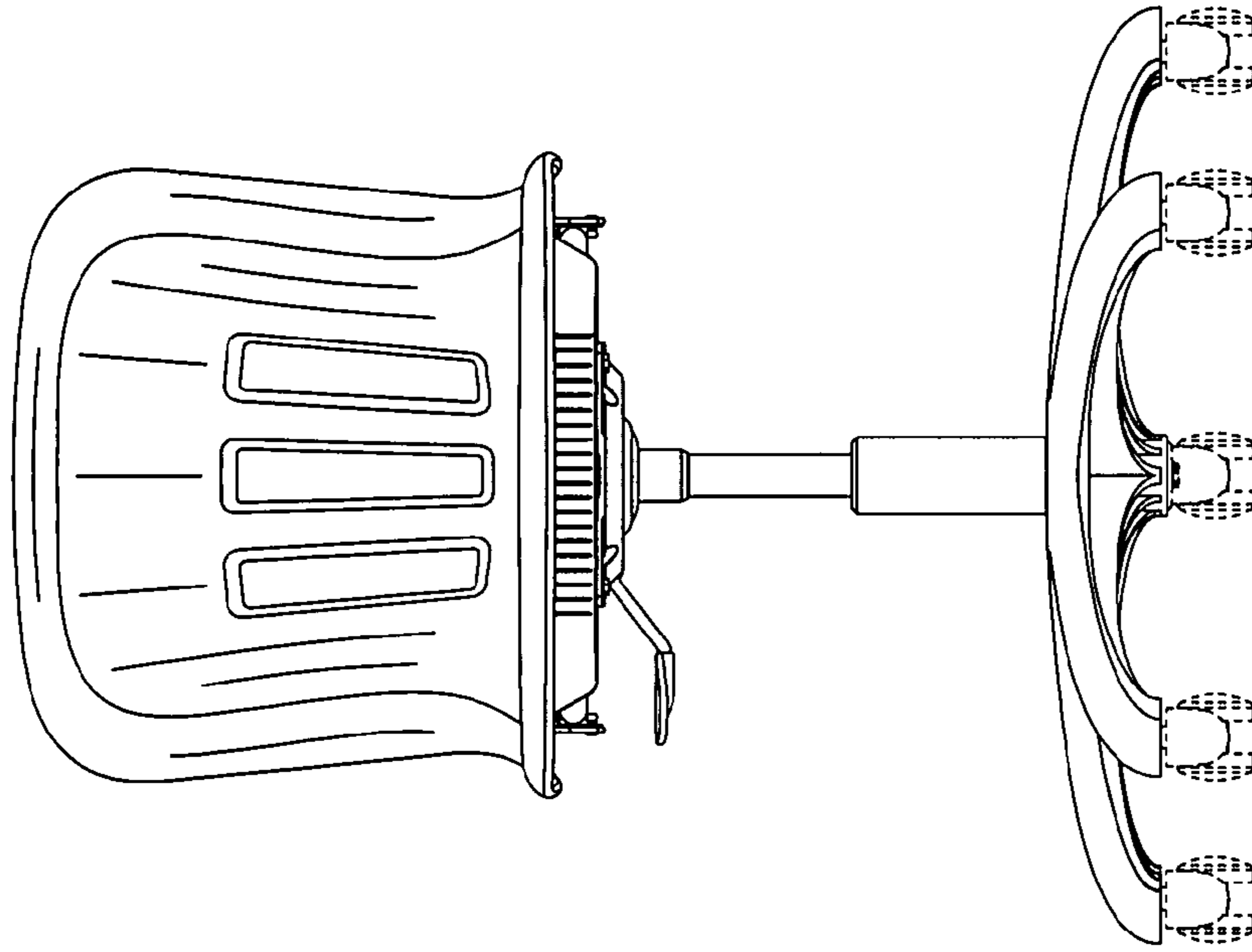


Fig. 2

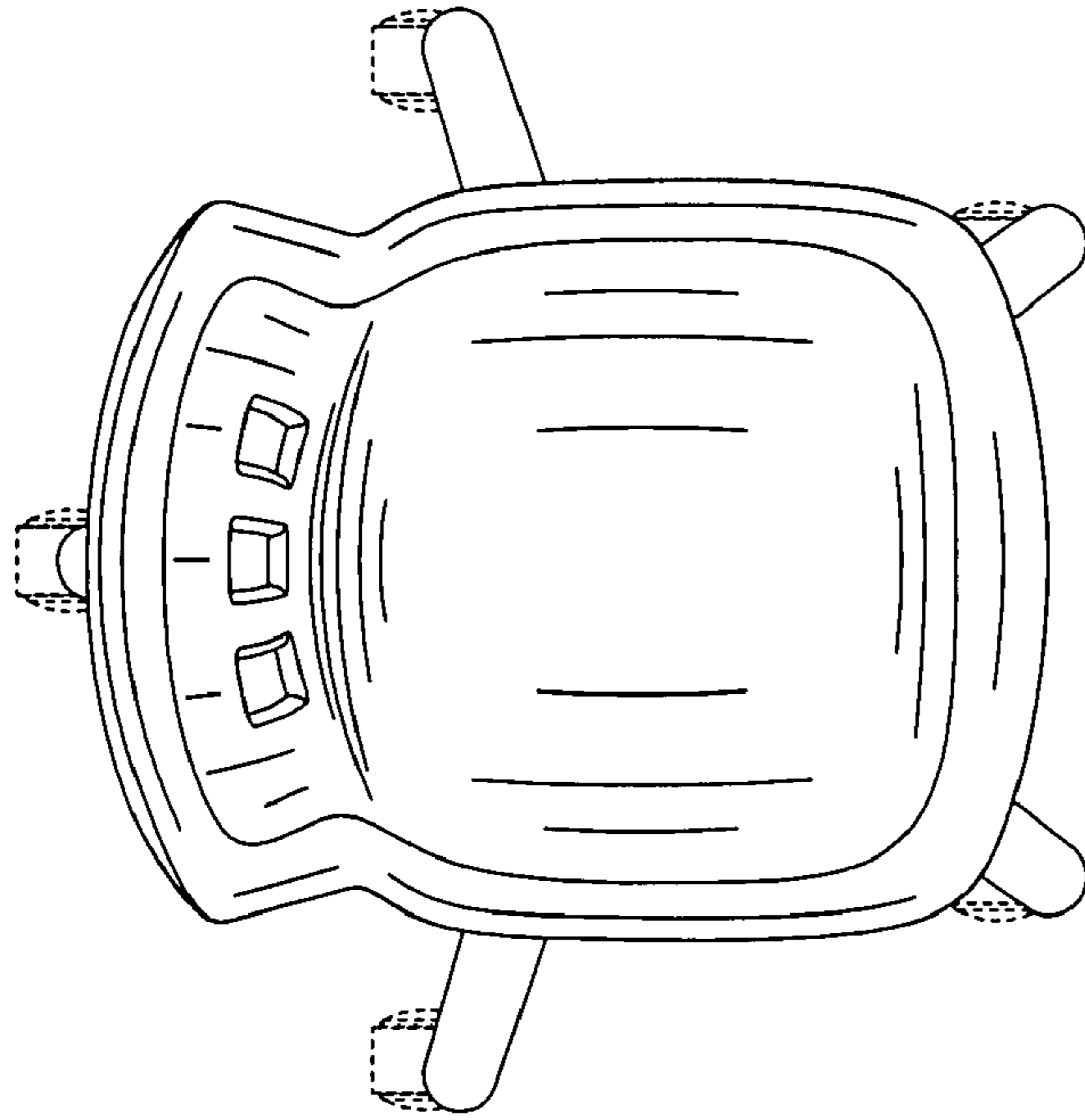


Fig. 4

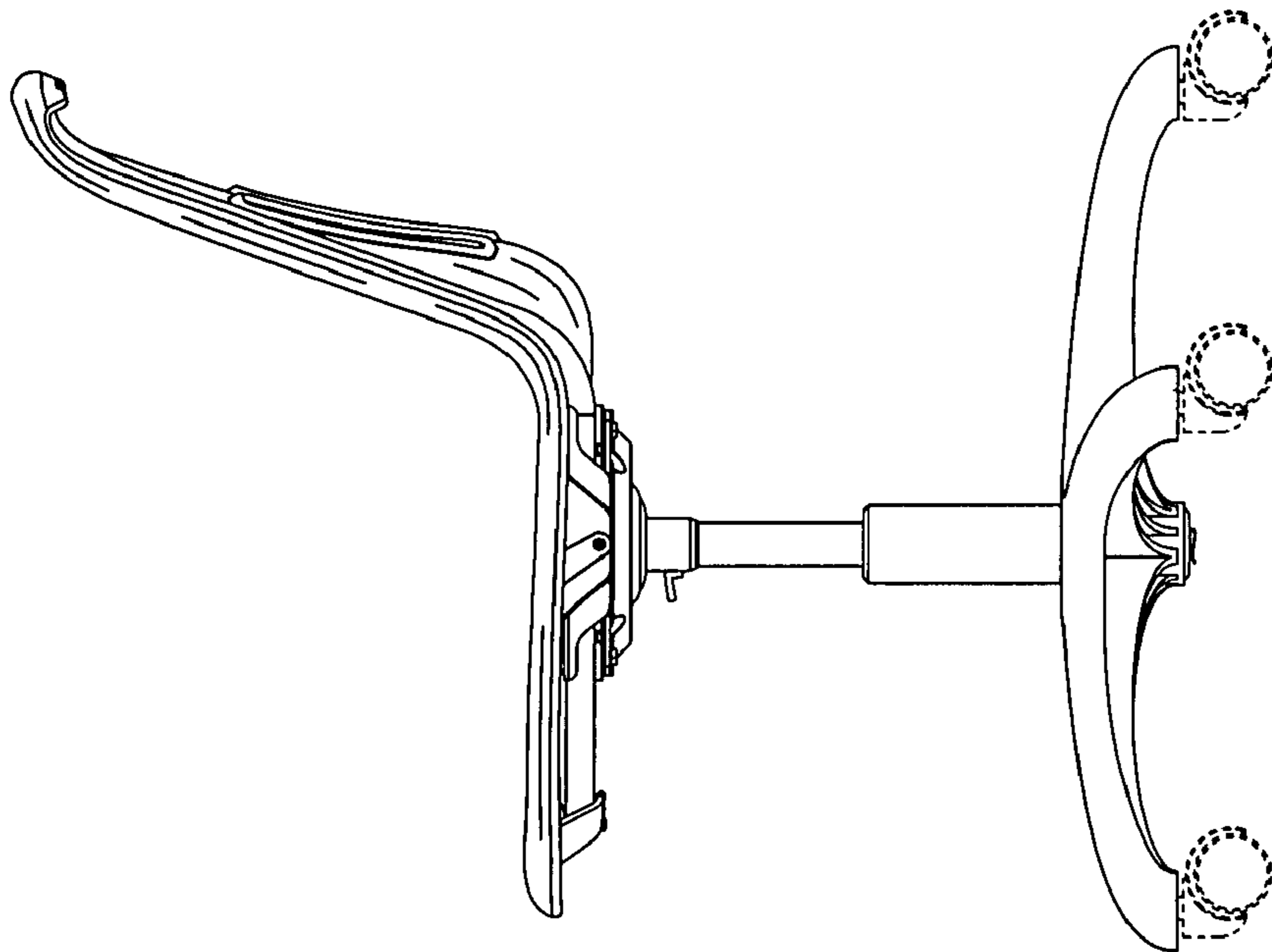


Fig. 3

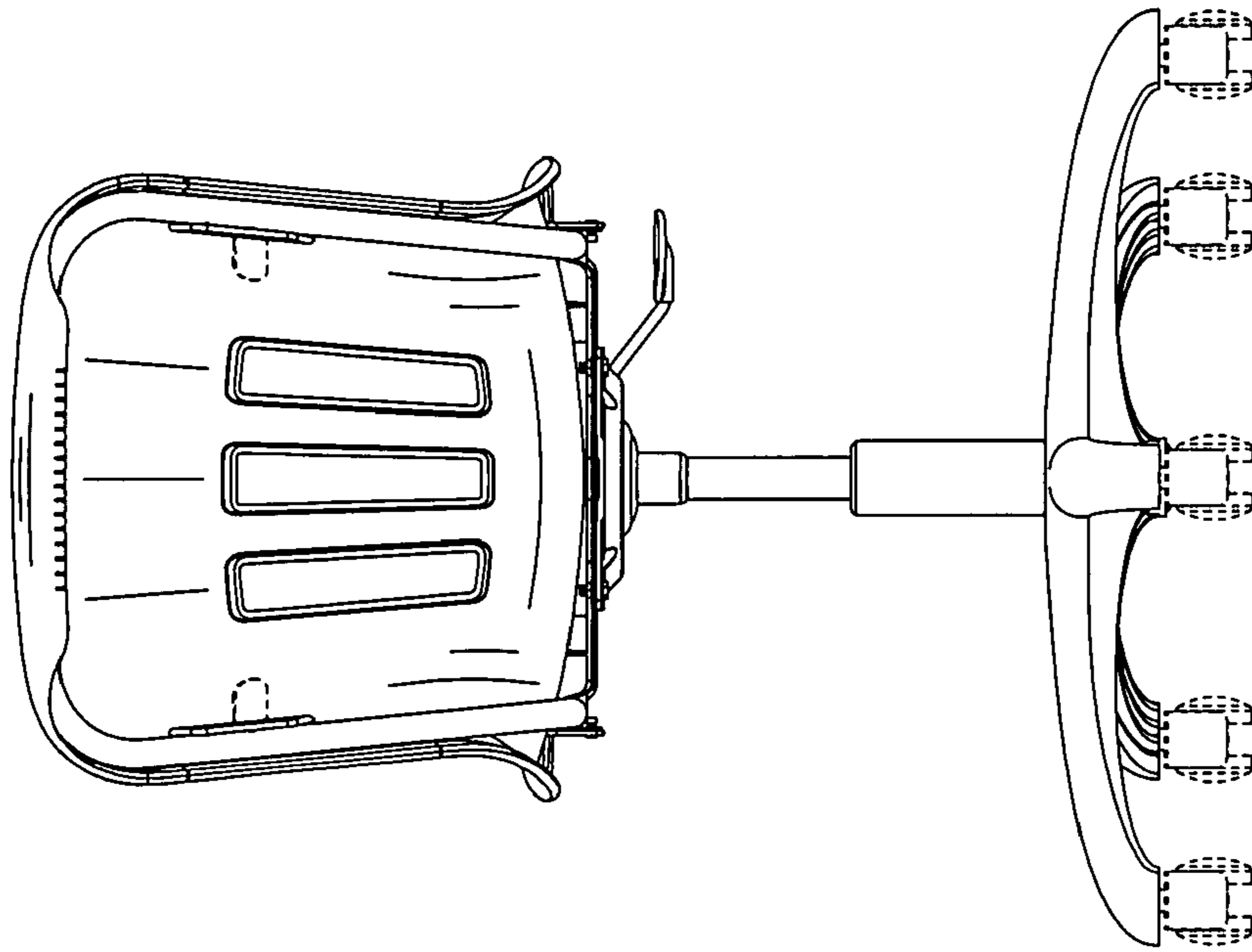


Fig. 6

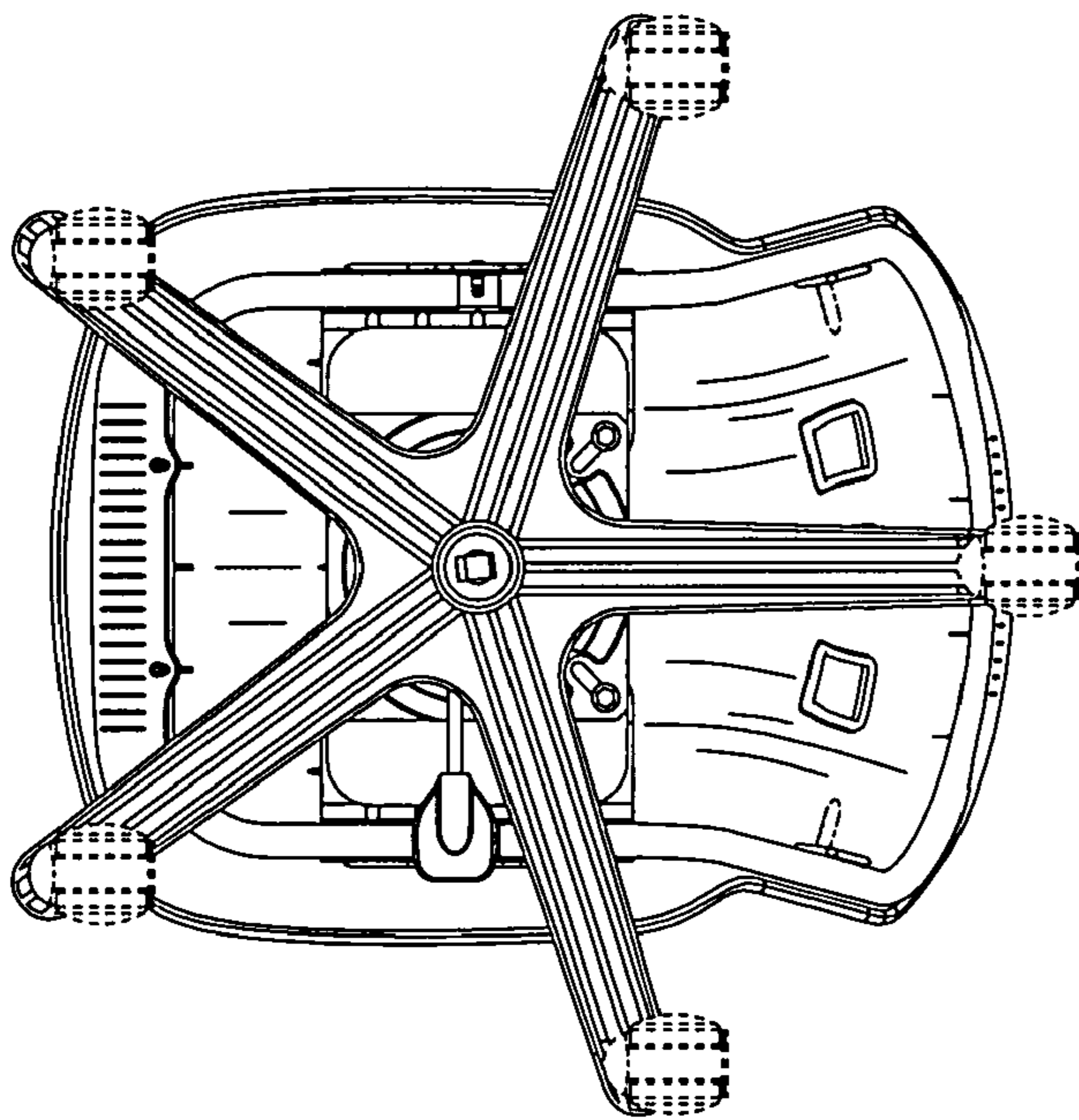


Fig. 5

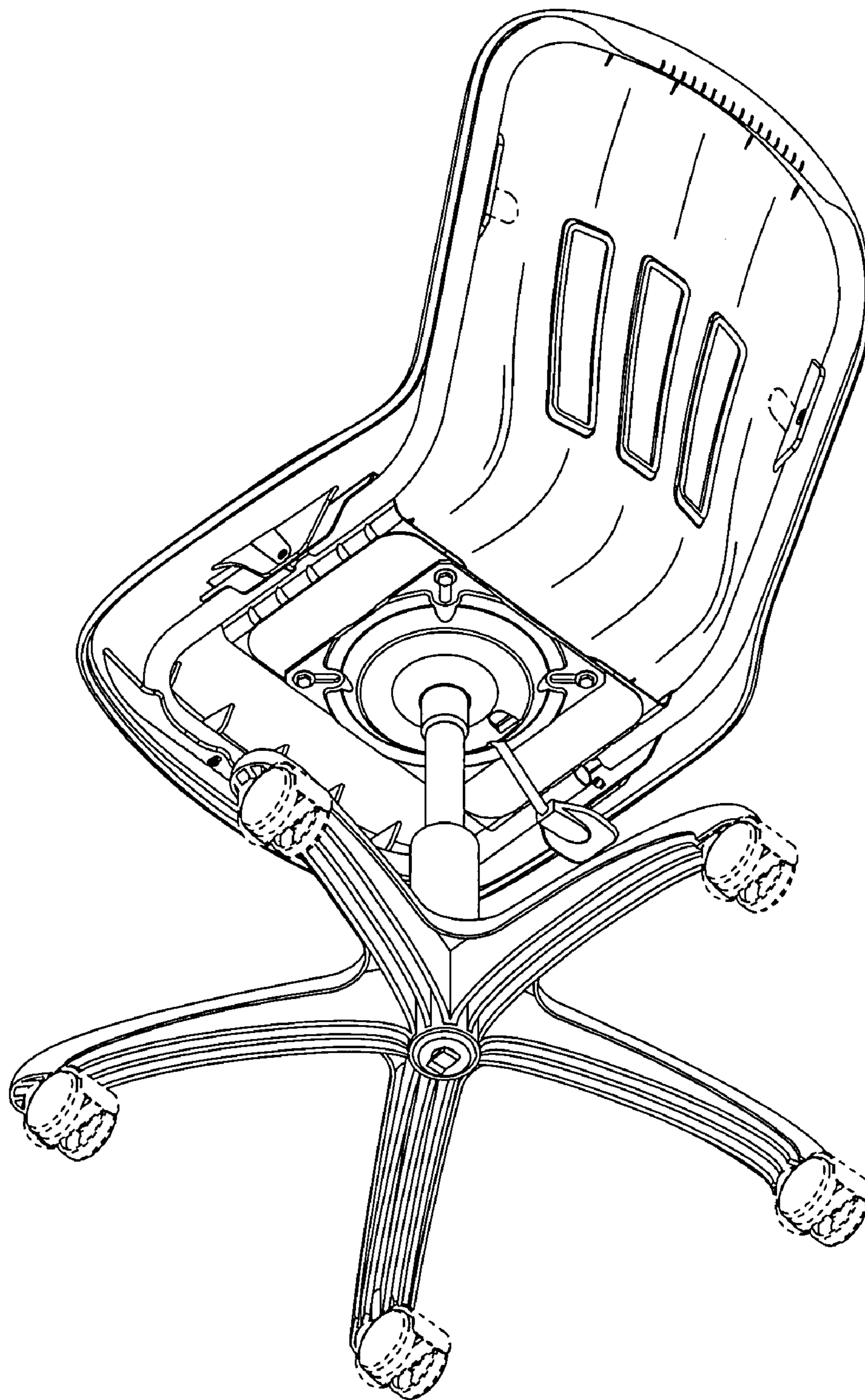


Fig. 7