

US00D564767S

(12) **United States Design Patent**
Huang

(10) **Patent No.:** **US D564,767 S**

(45) **Date of Patent:** **** Mar. 25, 2008**

(54) **CHAIR**

(76) Inventor: **William Huang**, 5353 Jillson St.,
Commerce, CA (US) 90040

(**) Term: **14 Years**

(21) Appl. No.: **29/282,164**

(22) Filed: **Jul. 12, 2007**

(51) **LOC (8) Cl.** **06-01**

(52) **U.S. Cl.** **D6/366**

(58) **Field of Classification Search** D6/334–336,
D6/364–366, 367, 369, 376, 379, 380, 498,
D6/500–502; 297/411.2, 411.27, 411.36,
297/452.13, 452.46, 452.56, 452.64

See application file for complete search history.

(56) **References Cited**

U.S. PATENT DOCUMENTS

D425,322 S *	5/2000	Chu	D6/366
D493,626 S *	8/2004	James	D6/366
D510,202 S *	10/2005	Chadwick et al.	D6/366
6,966,606 B2 *	11/2005	Coffield	297/452.56

D532,986 S *	12/2006	Kettler et al.	D6/376
D555,924 S *	11/2007	Igarashi	D6/366
2005/0001464 A1 *	1/2005	Caruso et al.	297/452.46

* cited by examiner

Primary Examiner—Mimosa De
(74) *Attorney, Agent, or Firm*—Jen-Feng Lee, Esq.

(57) **CLAIM**

I claim the ornamental design for a chair, as shown and described.

DESCRIPTION

FIG. 1 shows the perspective view of a chair showing my new design,

FIG. 2 shows the front view thereof,

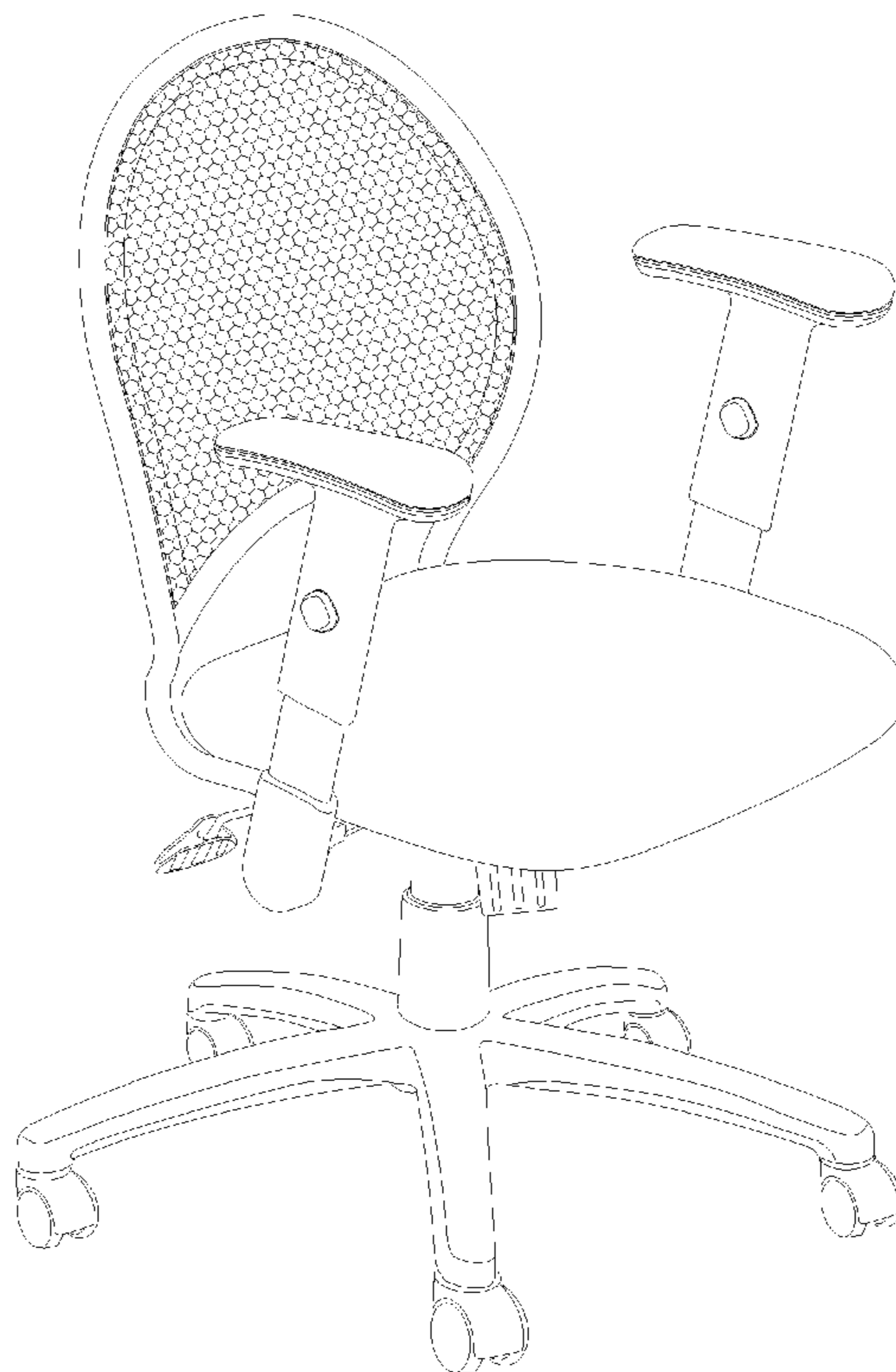
FIG. 3 shows the rear view thereof,

FIG. 4 shows the right side view thereof,

FIG. 5 shows the left side view thereof; and,

FIG. 6 shows the top plan view thereof.

1 Claim, 6 Drawing Sheets



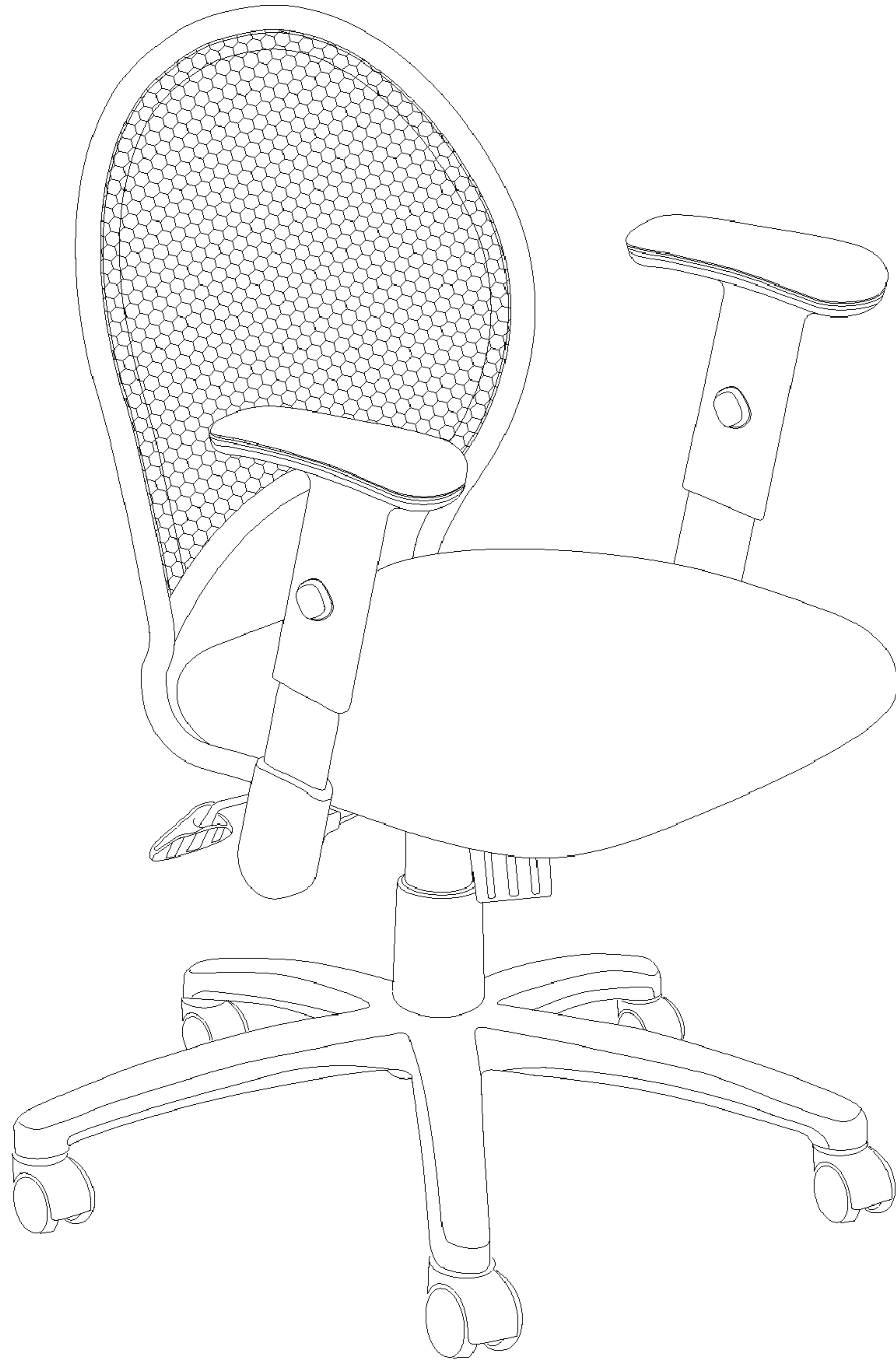


Figure 1

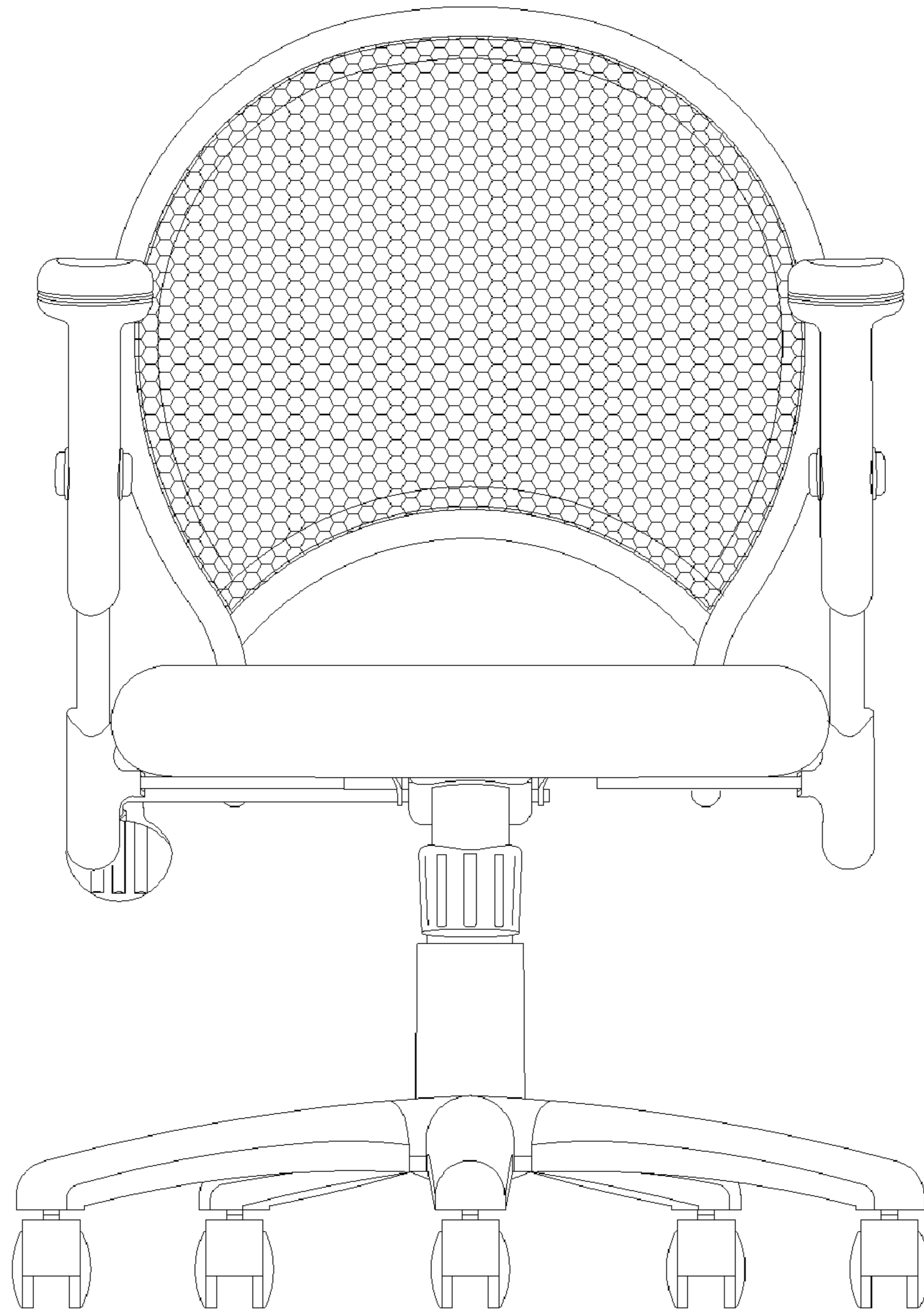


Figure 2

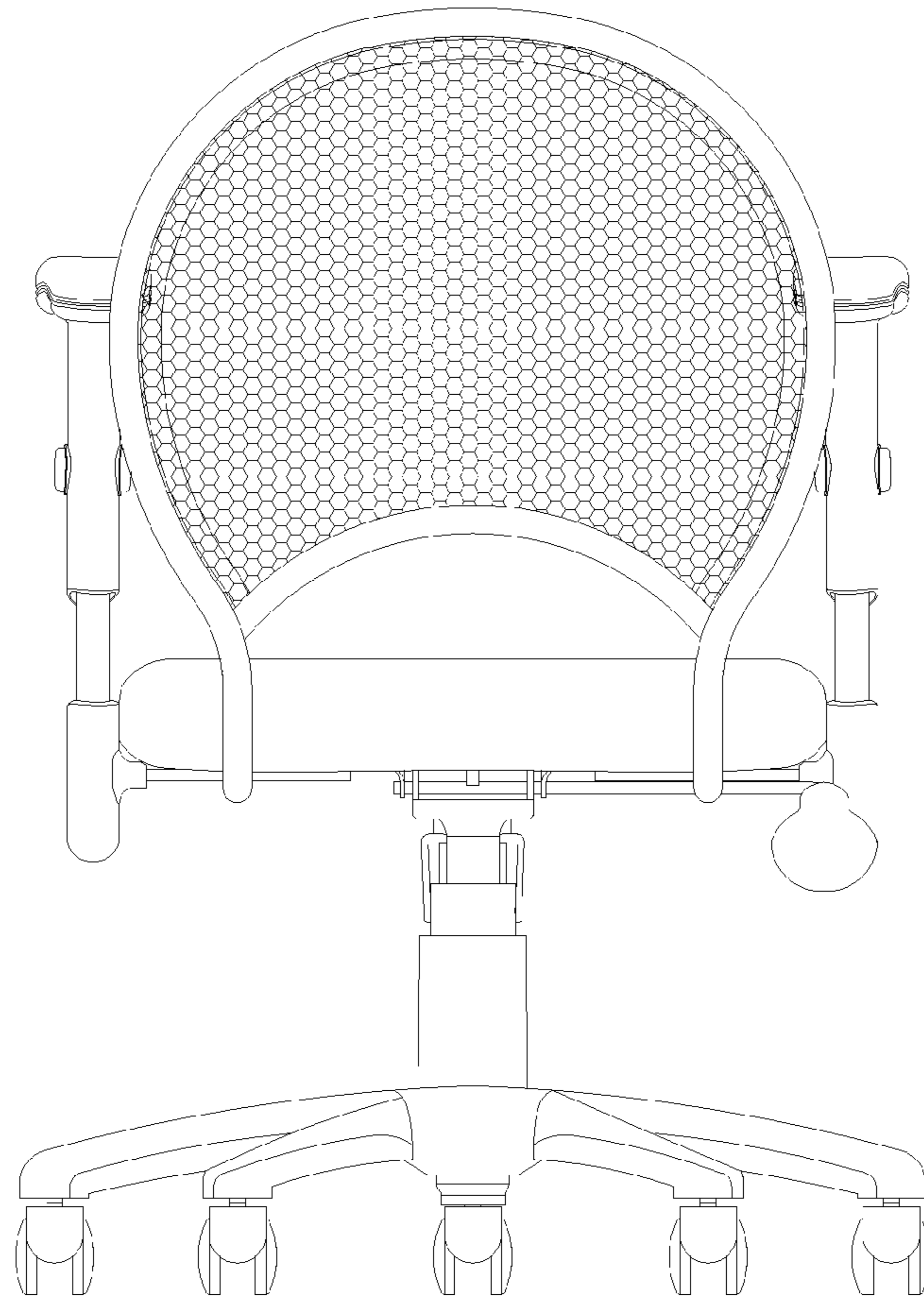


Figure 3

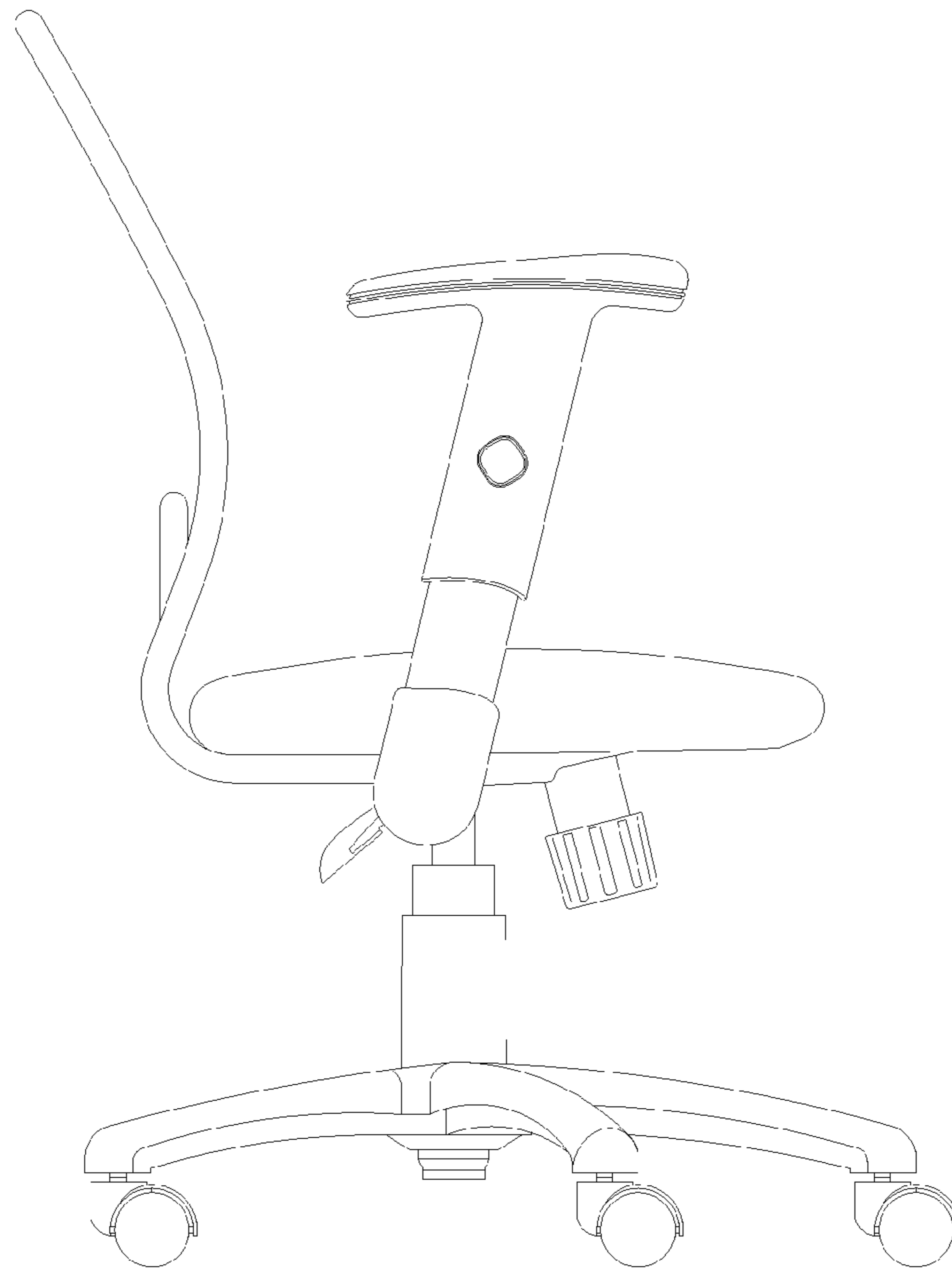


Figure 4

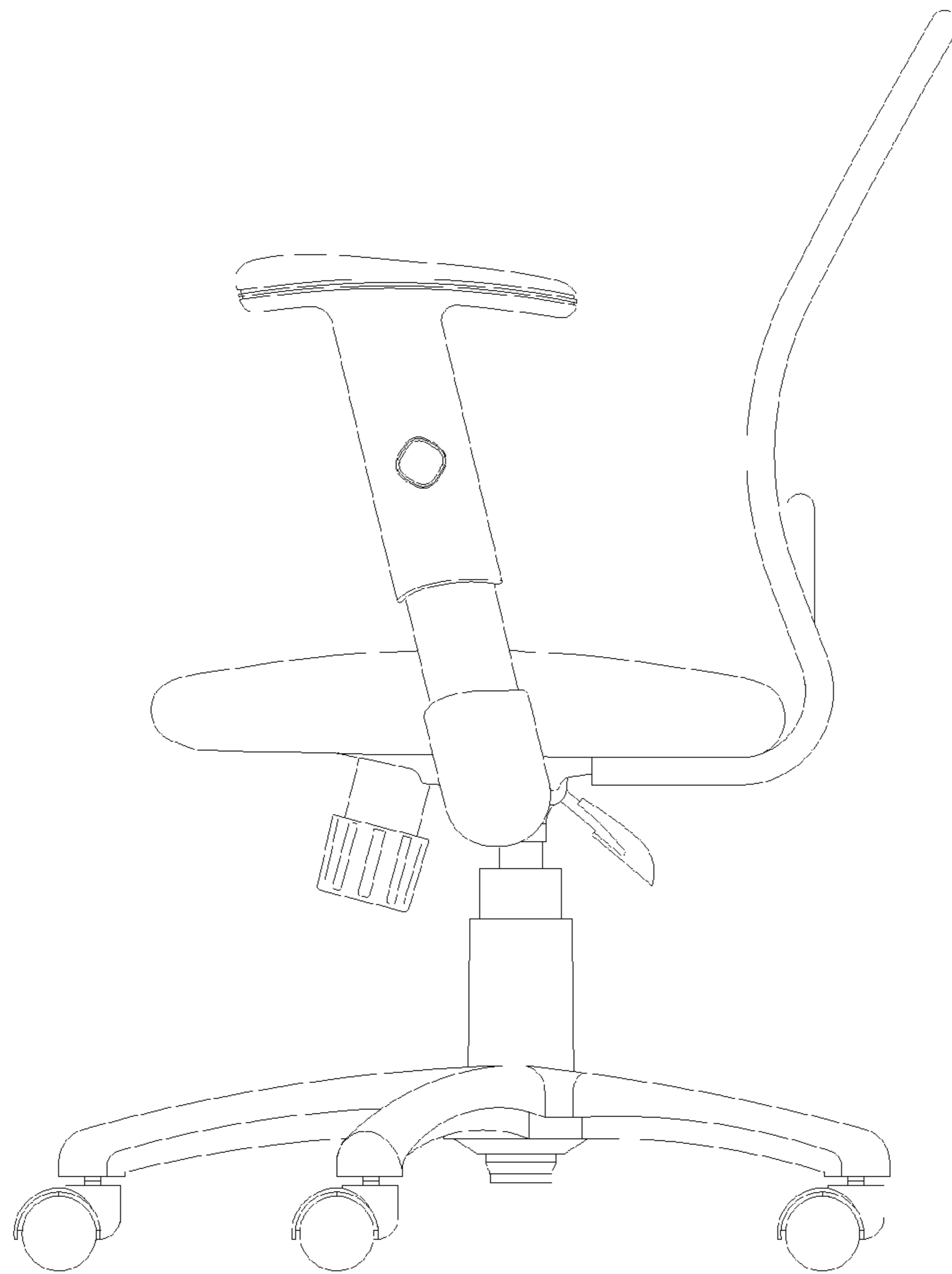


Figure 5

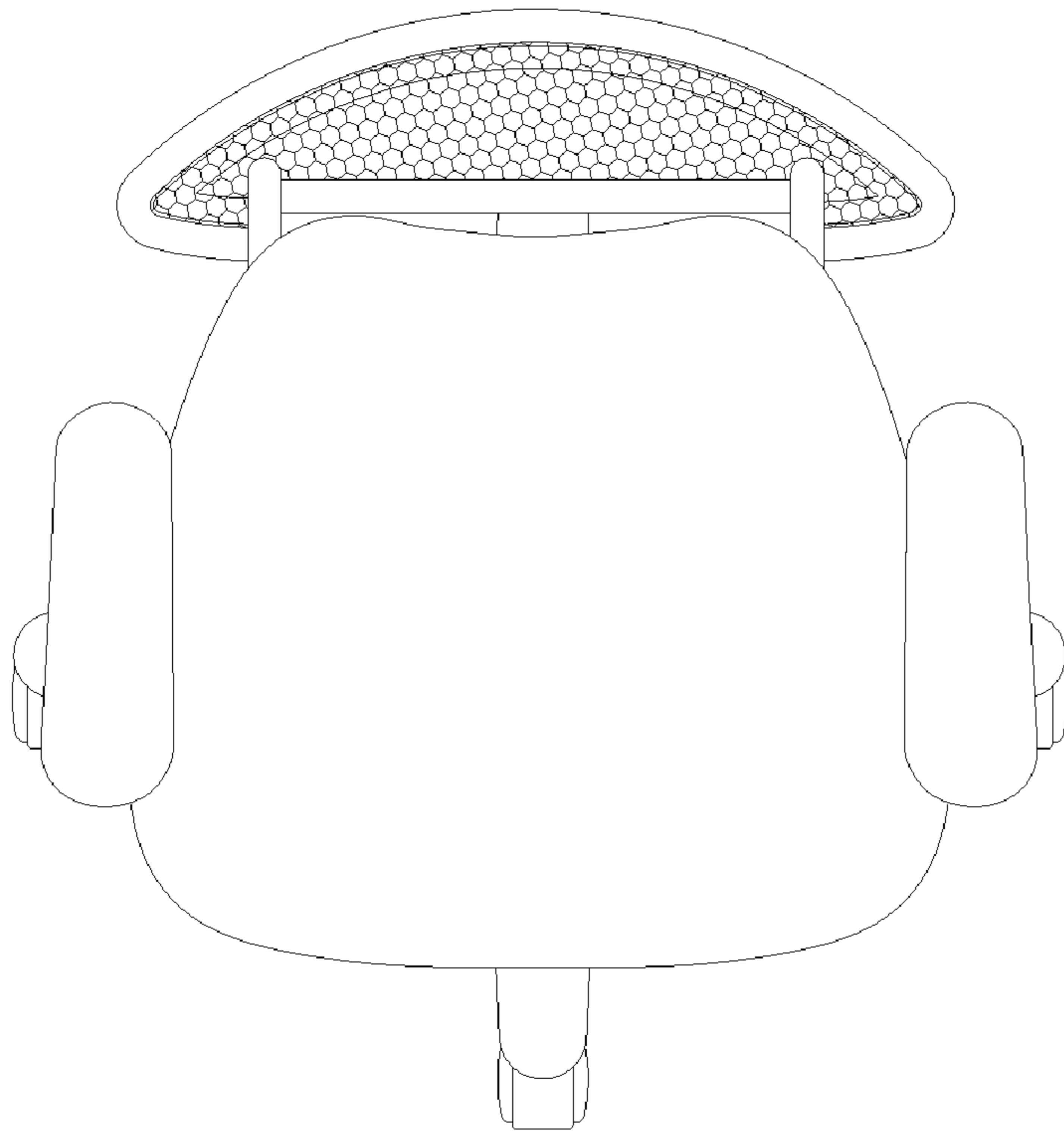


Figure 6