

US00D564766S

(12) **United States Design Patent**  
**Zimmermann et al.**

(10) **Patent No.:** **US D564,766 S**  
(45) **Date of Patent:** **\*\* Mar. 25, 2008**

(54) **SWIVEL CHAIR**

(75) Inventors: **Claus Zimmermann**, Überlingen (DE);  
**Mathias Dohm**, Überlingen (DE);  
**Achim Schmid**, Überlingen (DE)

(73) Assignee: **Klöber GmbH**, Überlingen/B. (DE)

(\*\*) Term: **14 Years**

(21) Appl. No.: **29/220,978**

(22) Filed: **Jan. 7, 2005**

(51) **LOC (8) Cl.** ..... **06-01**

(52) **U.S. Cl.** ..... **D6/366**

(58) **Field of Classification Search** ..... D6/366,  
D6/334-336, 364-367, 379, 498, 500-502;  
297/284.4, 411.2, 411.27, 411.28, 411.36,  
297/452.3, 452.21, 452.29

See application file for complete search history.

(56) **References Cited**

**U.S. PATENT DOCUMENTS**

- D347,333 S \* 5/1994 Von Klier ..... D6/366
- D370,789 S \* 6/1996 Groulx ..... D6/366
- D395,762 S \* 7/1998 Saul ..... D6/366
- D400,018 S 10/1998 James et al.
- D407,911 S 4/1999 Brauning
- D418,316 S \* 1/2000 Vogtherr ..... D6/366
- D437,701 S 2/2001 Bellini et al.

- D445,580 S 7/2001 Pennington et al.
- D446,954 S 8/2001 Sottsass
- D451,721 S 12/2001 Grove
- D452,387 S 12/2001 Ambasz
- D463,174 S 9/2002 Chu
- D468,564 S 1/2003 Piretti et al.
- D469,265 S 1/2003 Holbrook et al.
- D477,469 S 7/2003 Brooks
- 6,623,078 B2 9/2003 Chu et al.
- 6,832,814 B2 \* 12/2004 Stenzel et al. .... 297/337

\* cited by examiner

*Primary Examiner*—Robert M. Spear

*Assistant Examiner*—Katrina A. Kile

(74) *Attorney, Agent, or Firm*—Baker & Daniels LLP

(57) **CLAIM**

The ornamental design for a swivel chair, as shown.

**DESCRIPTION**

FIG. 1 is a front view of a swivel chair showing my new design;

FIG. 2 is a left side view thereof;

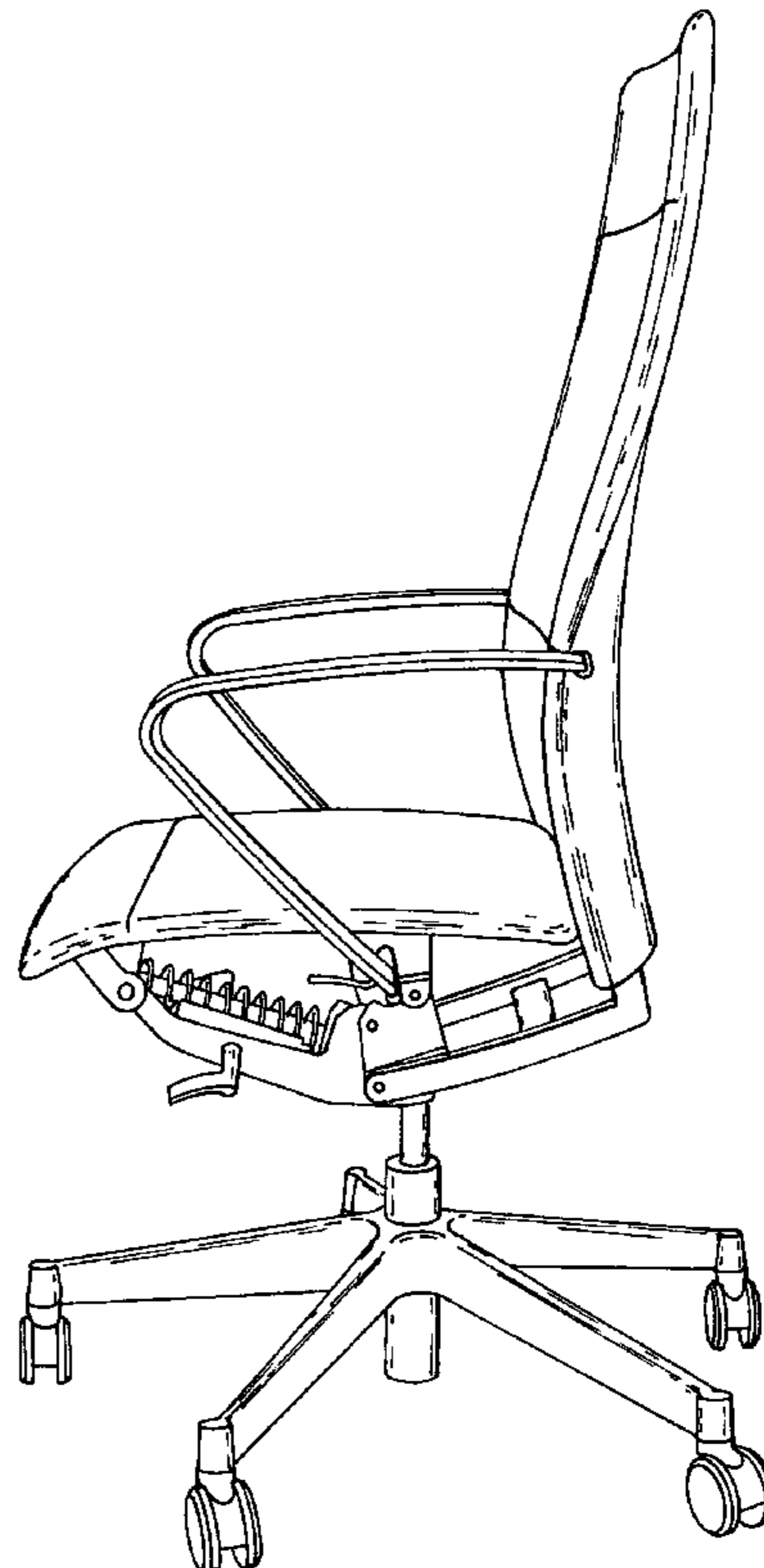
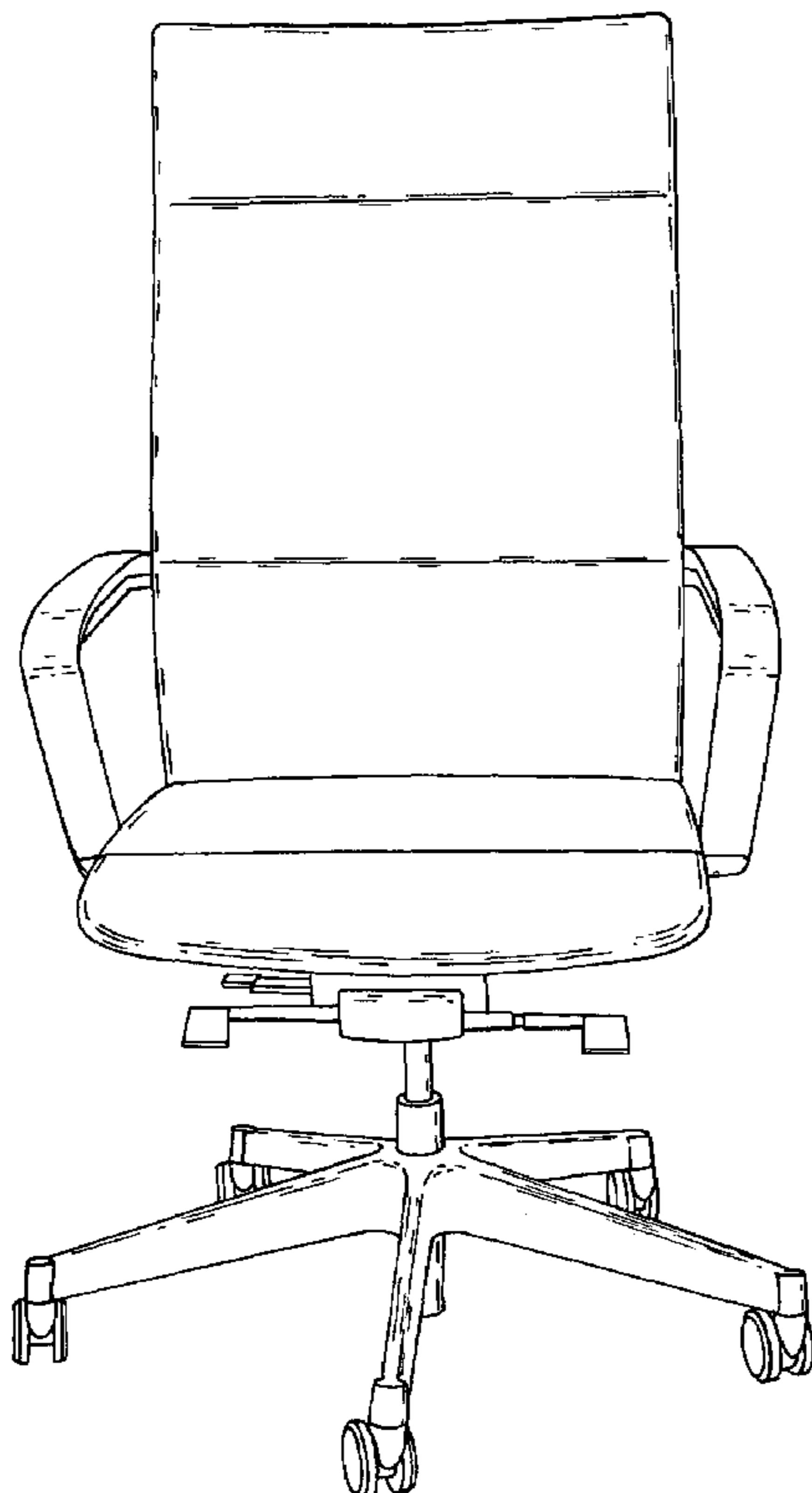
FIG. 3 is a rear view thereof;

FIG. 4 is a right side view thereof;

FIG. 5 is a top perspective view thereof; and,

FIG. 6 is a bottom perspective view thereof.

**1 Claim, 6 Drawing Sheets**



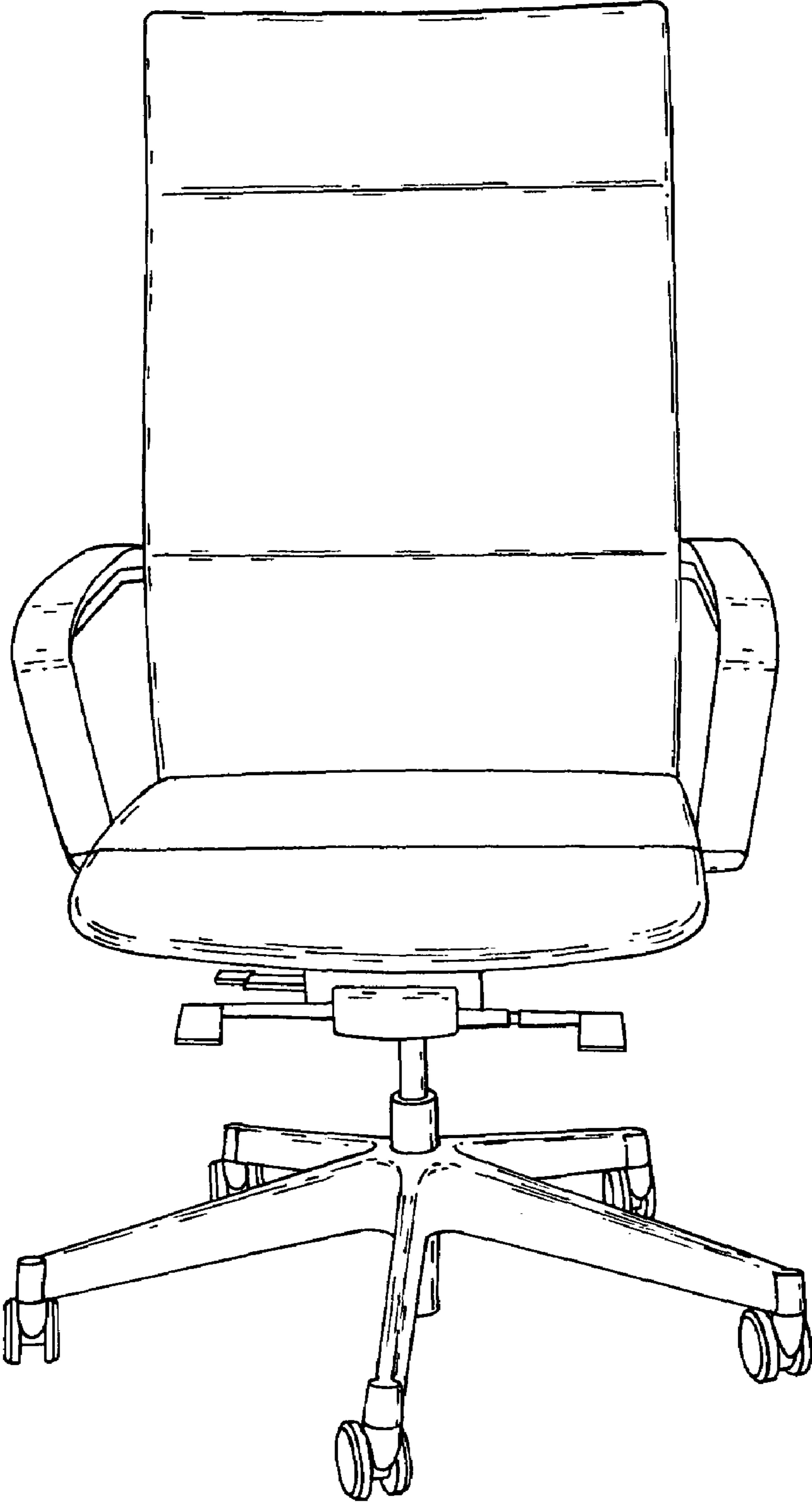


FIG. 1

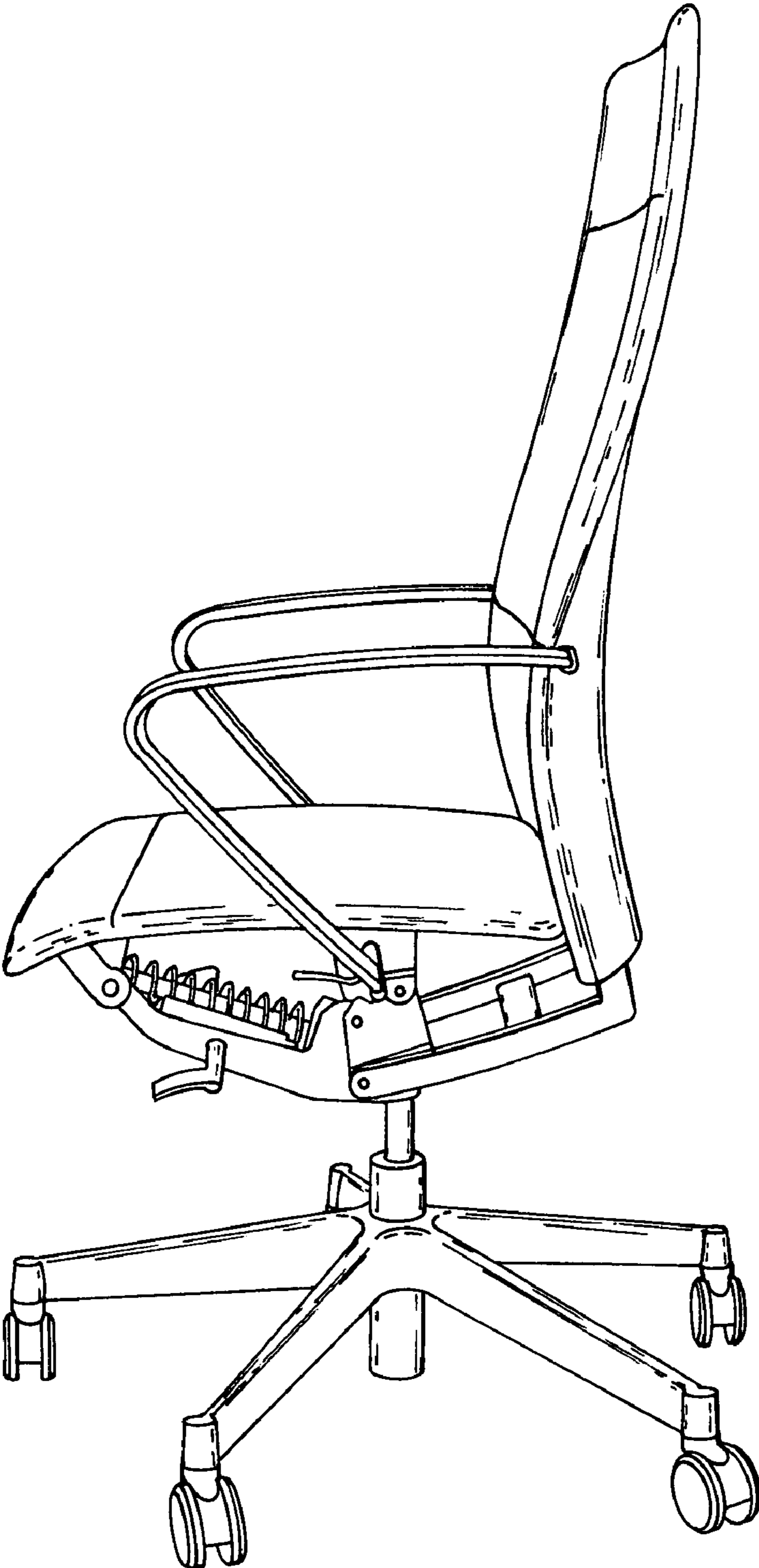


FIG. 2

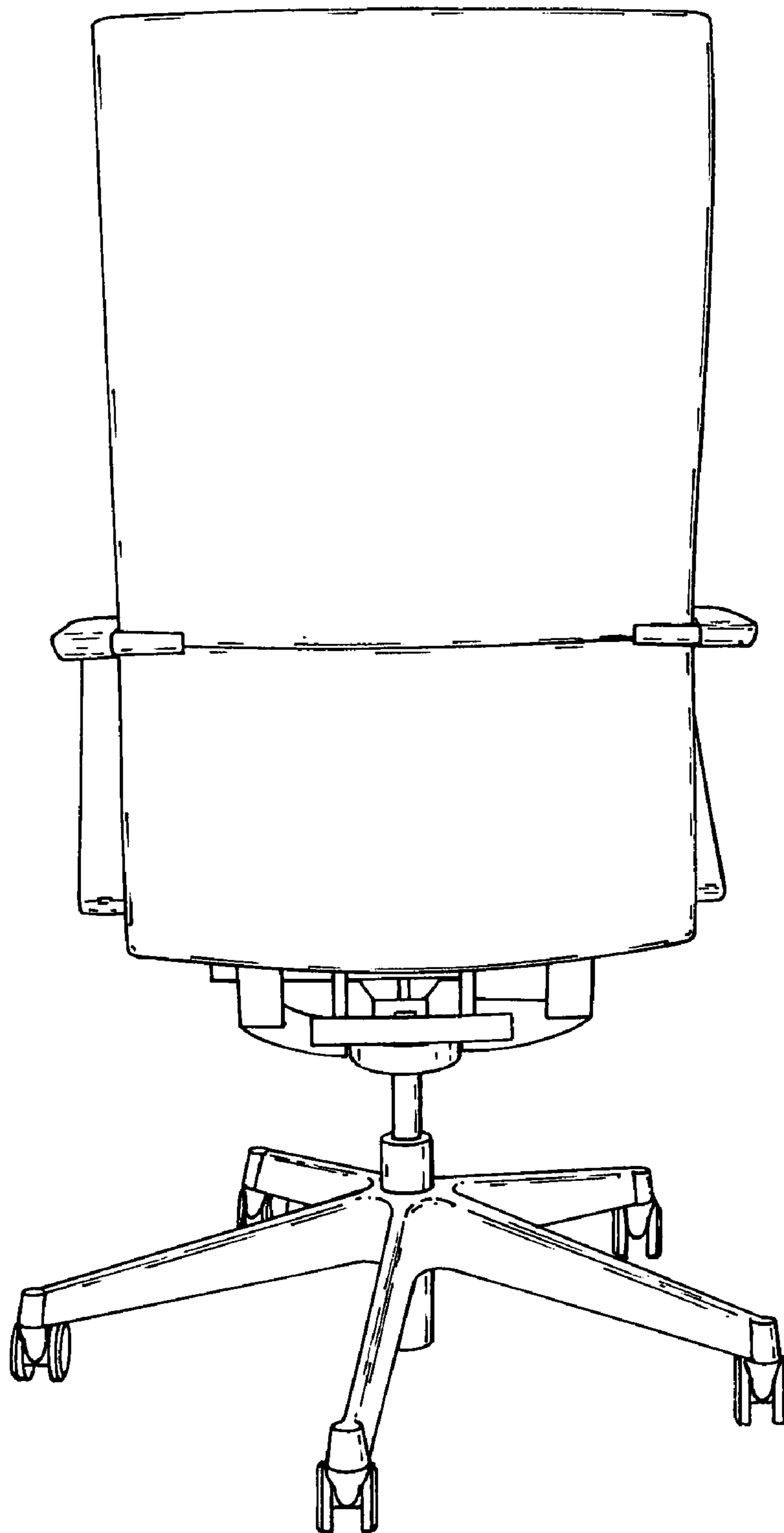


FIG. 3



FIG. 4

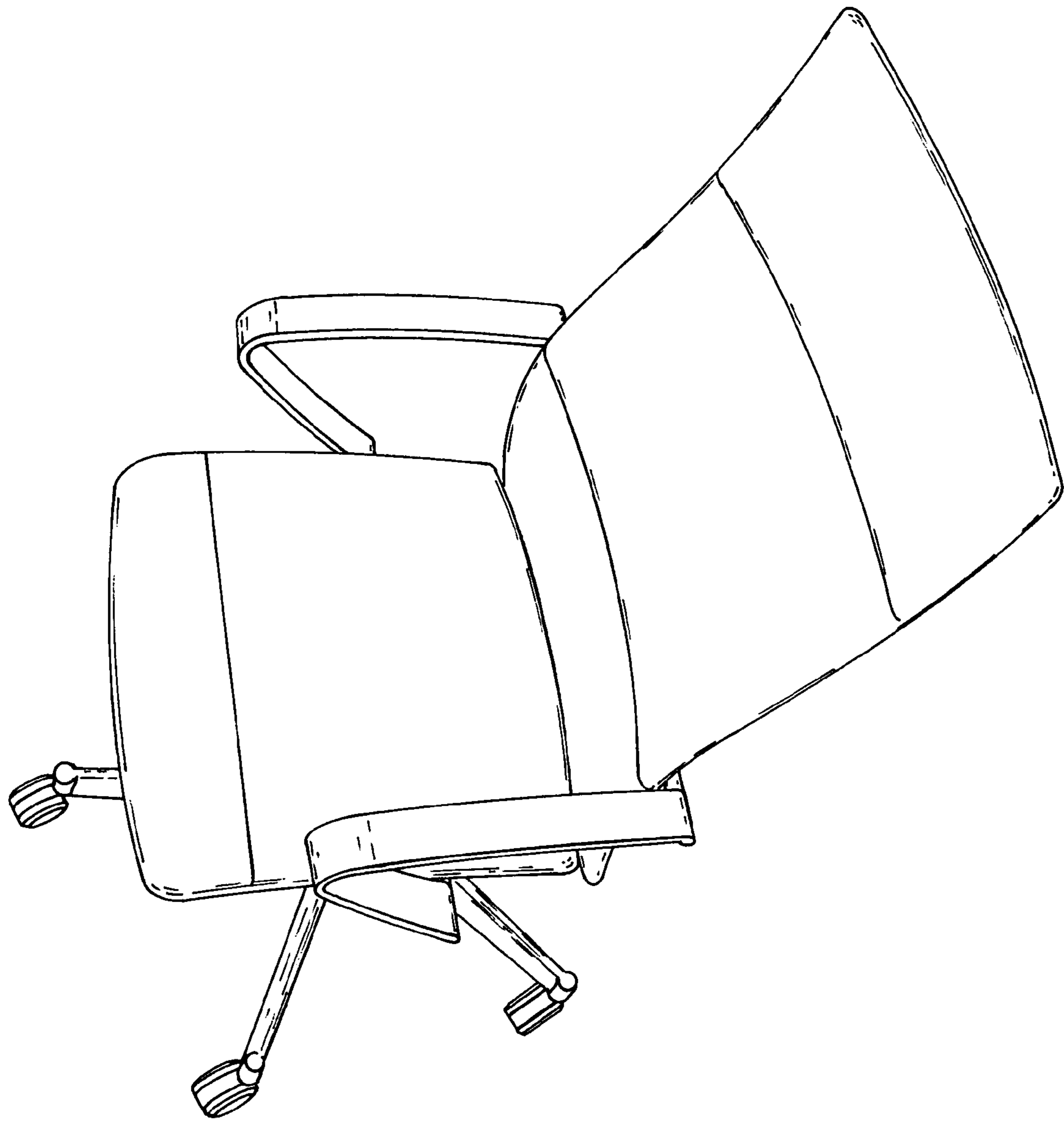


FIG. 5

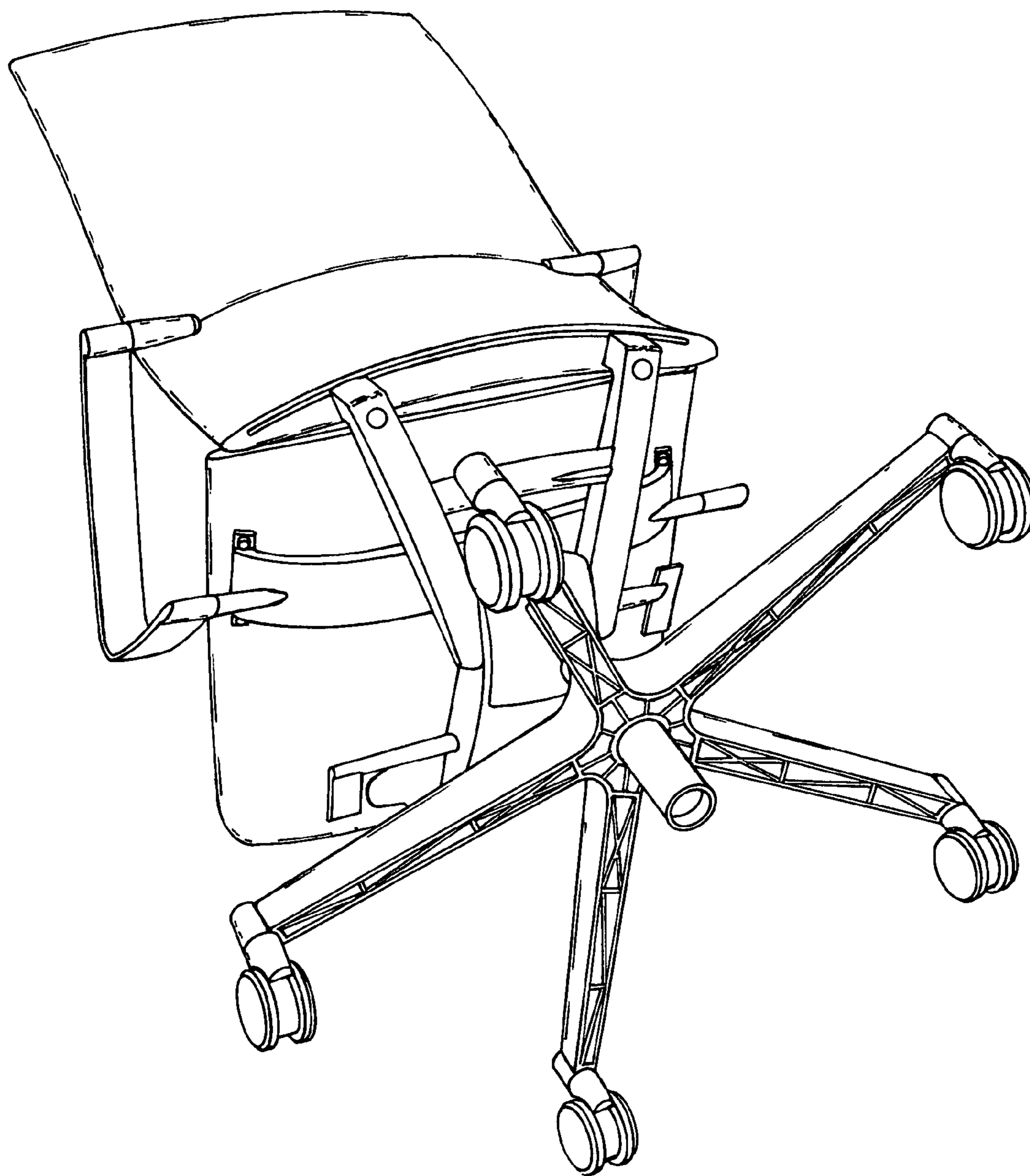


FIG. 6