



US00D564764S

(12) **United States Design Patent**
Springer et al.

(10) **Patent No.:** **US D564,764 S**
(45) **Date of Patent:** **** Mar. 25, 2008**

- (54) **TOP DIVIDER PANEL FOR AN OFFICE PARTITION**
- (75) Inventors: **Airen R. Springer**, Jasper, IN (US);
Keith E. Metcalf, Jasper, IN (US); **Jay M. Henriott**, Jasper, IN (US)
- (73) Assignee: **Kimball International, Inc.**, Jasper, IN (US)
- (**) Term: **14 Years**
- (21) Appl. No.: **29/247,281**
- (22) Filed: **Jun. 9, 2006**
- (51) **LOC (8) Cl.** **06-01**
- (52) **U.S. Cl.** **D6/332**
- (58) **Field of Classification Search** D6/332,
D6/396, 421, 449, 462, 509, 397; D20/10;
D25/58; D14/307; 108/60, 61; 211/134,
211/180; 312/4-6, 406, 265.5, 265.6; 52/238.1,
52/239; 160/130, 131, 135, 351, 352, 353,
160/371, DIG. 9
See application file for complete search history.

- D299,795 S * 2/1989 Helstab D6/332
- D299,985 S 2/1989 Helstab
- 4,843,675 A 7/1989 Diamantis
- 5,038,539 A * 8/1991 Kelley et al. 52/239
- 5,207,037 A 5/1993 Giles et al.
- 5,277,512 A * 1/1994 Dwillies 403/348
- D358,662 S 5/1995 Good
- 5,428,928 A * 7/1995 Hellwig et al. 52/239
- 5,431,210 A 7/1995 Nelson et al.
- D363,997 S 11/1995 Nomura
- 5,490,357 A * 2/1996 Lin 52/220.7
- D382,122 S * 8/1997 Thorp et al. D6/332
- D382,736 S 8/1997 Kopish
- D392,114 S * 3/1998 Thorp et al. D6/332
- D395,365 S 6/1998 Verbeek et al.
- D402,047 S 12/1998 Sadovenko
- D402,476 S 12/1998 Thorp et al.
- 5,852,904 A 12/1998 Yu et al.
- D427,783 S 7/2000 Luedke
- 6,115,977 A * 9/2000 Hornberger et al. 52/238.1
- D431,913 S 10/2000 Rowan
- D442,398 S 5/2001 Waisbrod

(Continued)

Primary Examiner—Sandra Snapp
(74) *Attorney, Agent, or Firm*—Baker & Daniels LLP

(56) **References Cited**

U.S. PATENT DOCUMENTS

- D95,588 S * 5/1935 Holsman D20/10
- D135,362 S 3/1943 Myers
- 2,636,224 A 4/1953 Murdoch et al.
- 2,781,558 A 2/1957 Tarzia
- 2,823,744 A 2/1958 Garris
- 3,370,389 A 2/1968 Macaluso
- 3,371,454 A 3/1968 Anderson
- 3,691,709 A 9/1972 Ostborg
- D242,099 S * 11/1976 Casey D6/332
- D242,100 S 11/1976 Casey
- D255,196 S 6/1980 Durrant
- 4,535,577 A 8/1985 Tenser et al.
- D286,074 S * 10/1986 Corte D25/1
- 4,631,881 A * 12/1986 Charman 52/220.7
- D293,981 S * 2/1988 Ball D6/332
- D296,619 S 7/1988 Charman
- D299,794 S * 2/1989 Helstab D6/332

(57) **CLAIM**

The ornamental design for a top divider panel for an office partition, as shown and described.

DESCRIPTION

FIG. 1 is a perspective view of a top divider panel for an office partition according to our new design;

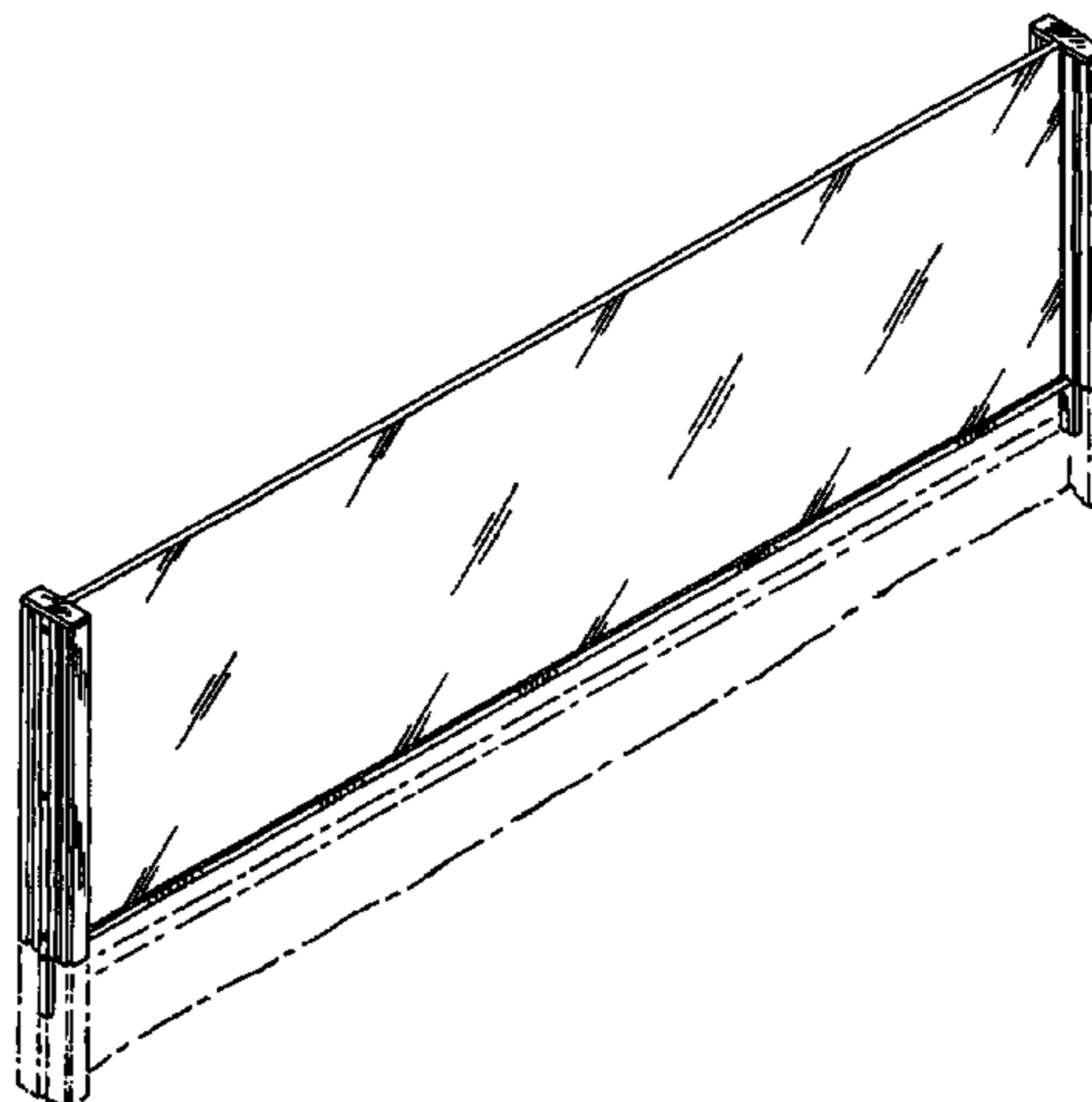
FIG. 2 is a front/rear view thereof, wherein the front and rear views are identical;

FIG. 3 is a left/right side view thereof, wherein the left and right side views are identical; and,

FIG. 4 is a top view thereof.

Features shown in dashed lines form no part of the claimed design.

1 Claim, 2 Drawing Sheets



US D564,764 S

Page 2

U.S. PATENT DOCUMENTS

| | | | | | | |
|--------------|------|---------|--------------------------|---------|--|--|
| 6,260,324 | B1 | 7/2001 | Miedema et al. | | | |
| 6,295,764 | B1 * | 10/2001 | Berridge et al. | 52/36.5 | | |
| 6,349,516 | B1 | 2/2002 | Powell et al. | | | |
| 6,389,773 | B1 | 5/2002 | Reuter et al. | | | |
| 6,397,533 | B1 * | 6/2002 | Hornberger et al. | 52/239 | | |
| 6,425,219 | B1 * | 7/2002 | Barmak et al. | 52/239 | | |
| 6,430,880 | B1 | 8/2002 | Kemeny | | | |
| 6,533,019 | B1 | 3/2003 | King et al. | | | |
| 6,581,344 | B1 * | 6/2003 | Niewiadomski et al. | 52/239 | | |
| D484,336 | S | 12/2003 | Hansen et al. | | | |
| 6,658,805 | B1 | 12/2003 | Yu et al. | | | |
| 6,684,929 | B2 | 2/2004 | MacDonald et al. | | | |
| 6,775,953 | B2 | 8/2004 | Burken et al. | | | |
| D496,798 | S | 10/2004 | Berg et al. | | | |
| D500,604 | S | 1/2005 | Ashby | | | |
| D511,258 | S | 11/2005 | Sandy | | | |
| 7,051,482 | B2 | 5/2006 | MacDonald et al. | | | |
| 2003/0154672 | A1 | 8/2003 | Spransy et al. | | | |
| 2005/0000168 | A1 | 1/2005 | Wright | | | |

* cited by examiner

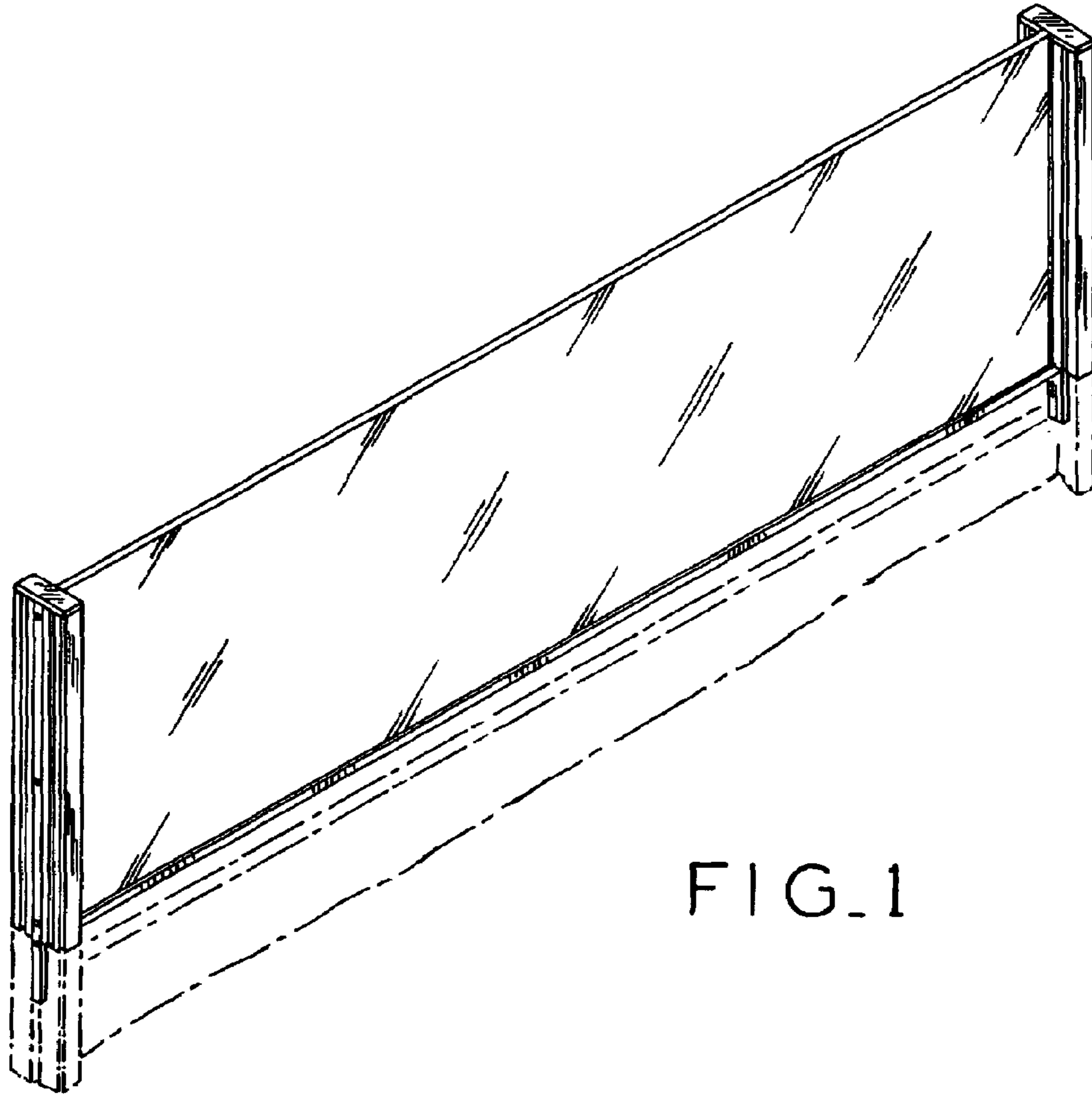


FIG. 1

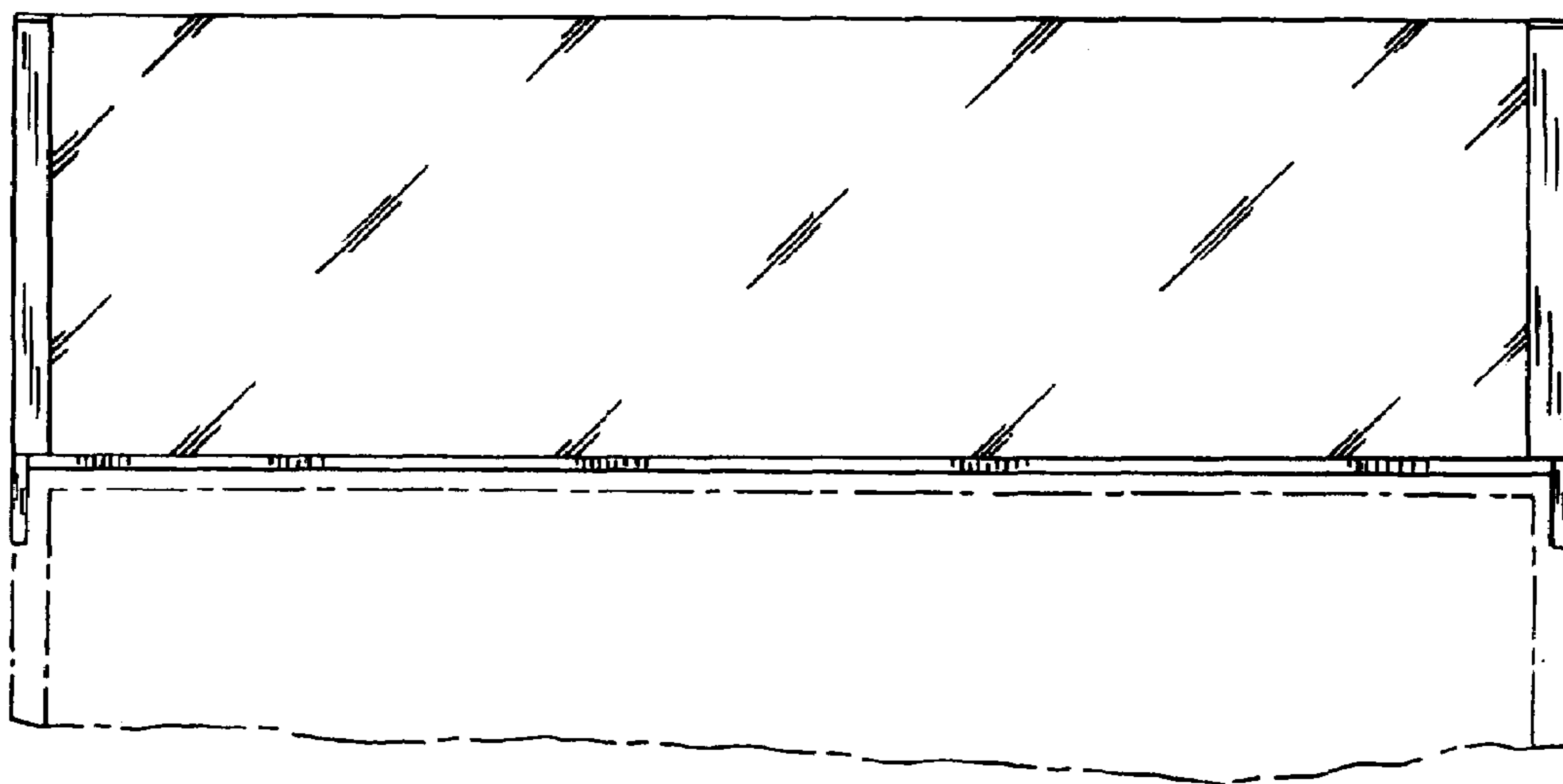


FIG 2



FIG. 3

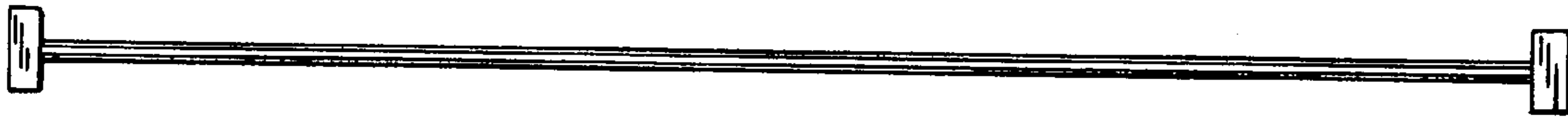


FIG. 4