



US00D564763S

(12) **United States Design Patent**
Yue

(10) **Patent No.:** **US D564,763 S**
(45) **Date of Patent:** **** Mar. 25, 2008**

(54) **SLOT MIRROR**

(76) Inventor: **Chi Yau Yue**, Block A, Unit 10, 51F
Profit Industrial Building, 1-15 Kwai
Fung Crescent, Kowloon (HK)

(**) Term: **14 Years**

(21) Appl. No.: **29/285,558**

(22) Filed: **Apr. 2, 2007**

(51) **LOC (8) Cl.** **06-07**

(52) **U.S. Cl.** **D6/313**

(58) **Field of Classification Search** D6/300,
D6/313, 310-312, 512, 419, 449; 40/700,
40/748, 749, 755, 780; 248/453, 456, 441.1;
D14/447; D19/91; D18/12

See application file for complete search history.

(56) **References Cited**

U.S. PATENT DOCUMENTS

2,147,347	A *	2/1939	Jury	248/456
2,419,721	A *	4/1947	Kopp	248/456
D164,483	S *	9/1951	Flannery	D19/91
D221,191	S *	7/1971	Nutt	D19/91
D244,331	S *	5/1977	Woods	D18/12
4,073,460	A *	2/1978	Dale	248/441.1
D257,305	S *	10/1980	Kaempkes	D6/311
D265,916	S *	8/1982	Evenson	D19/91

D287,914	S *	1/1987	Woolf	D6/419
D339,368	S *	9/1993	Harris	D6/419
D359,399	S *	6/1995	Rath	D6/419
D380,629	S *	7/1997	Shinno	D6/449
D513,008	S *	12/2005	Takizawa et al.	D14/447

* cited by examiner

Primary Examiner—Caron D. Veynar

Assistant Examiner—Sydney R. Buffalow

(74) *Attorney, Agent, or Firm*—Eric Hanscom; Todd Langford

(57) **CLAIM**

I claim the ornamental design for a slot mirror, as shown.

DESCRIPTION

FIG. 1 is a rear perspective view of a slot mirror showing my new design;

FIG. 2 is a front perspective view thereof;

FIG. 3 is a side perspective view shown in a folded position;

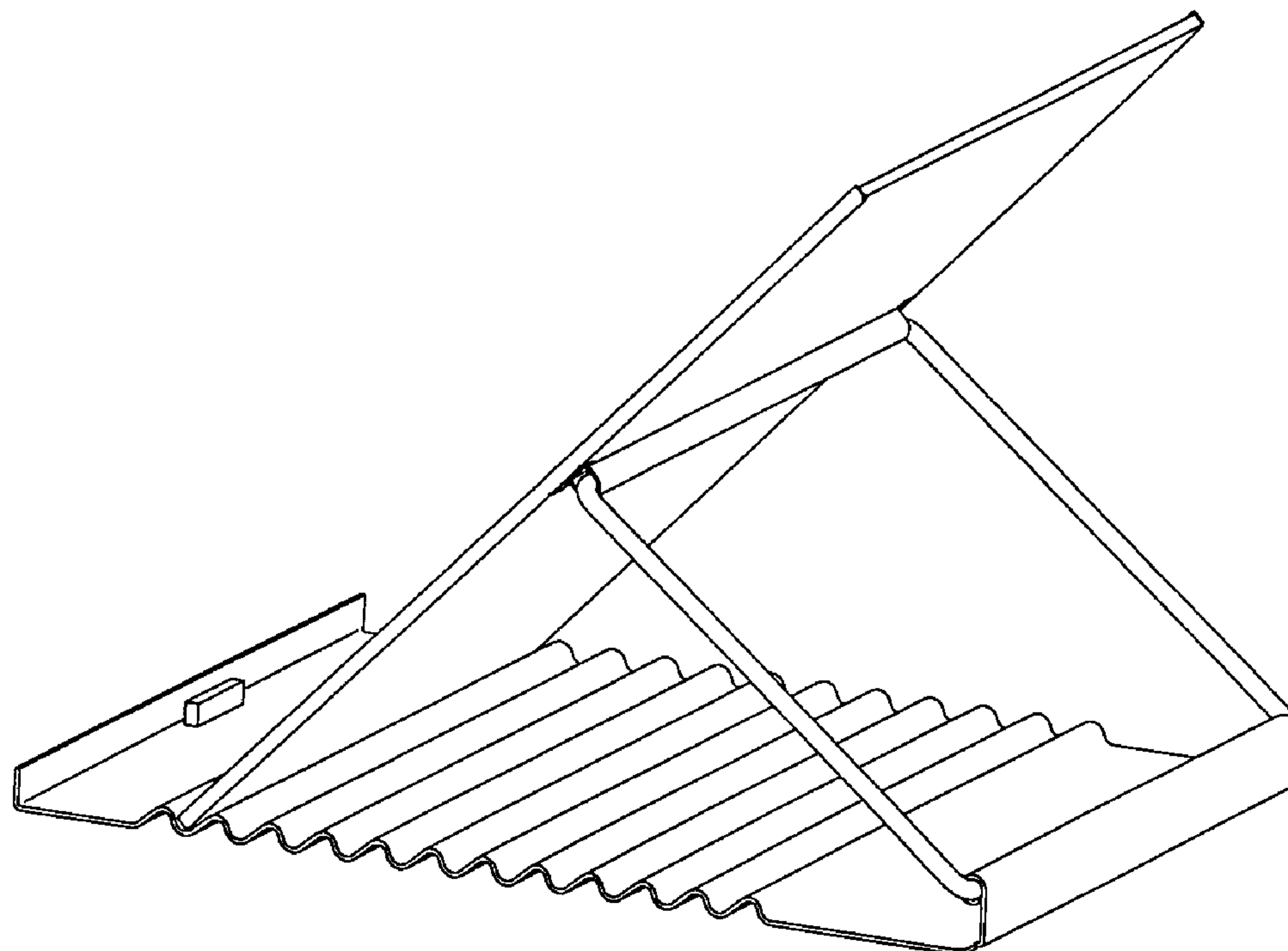
FIG. 4 is a right-side view thereof;

FIG. 5 is a bottom plan view thereof;

FIG. 6 is a front elevation view thereof; and,

FIG. 7 is a top plan view thereof.

1 Claim, 7 Drawing Sheets



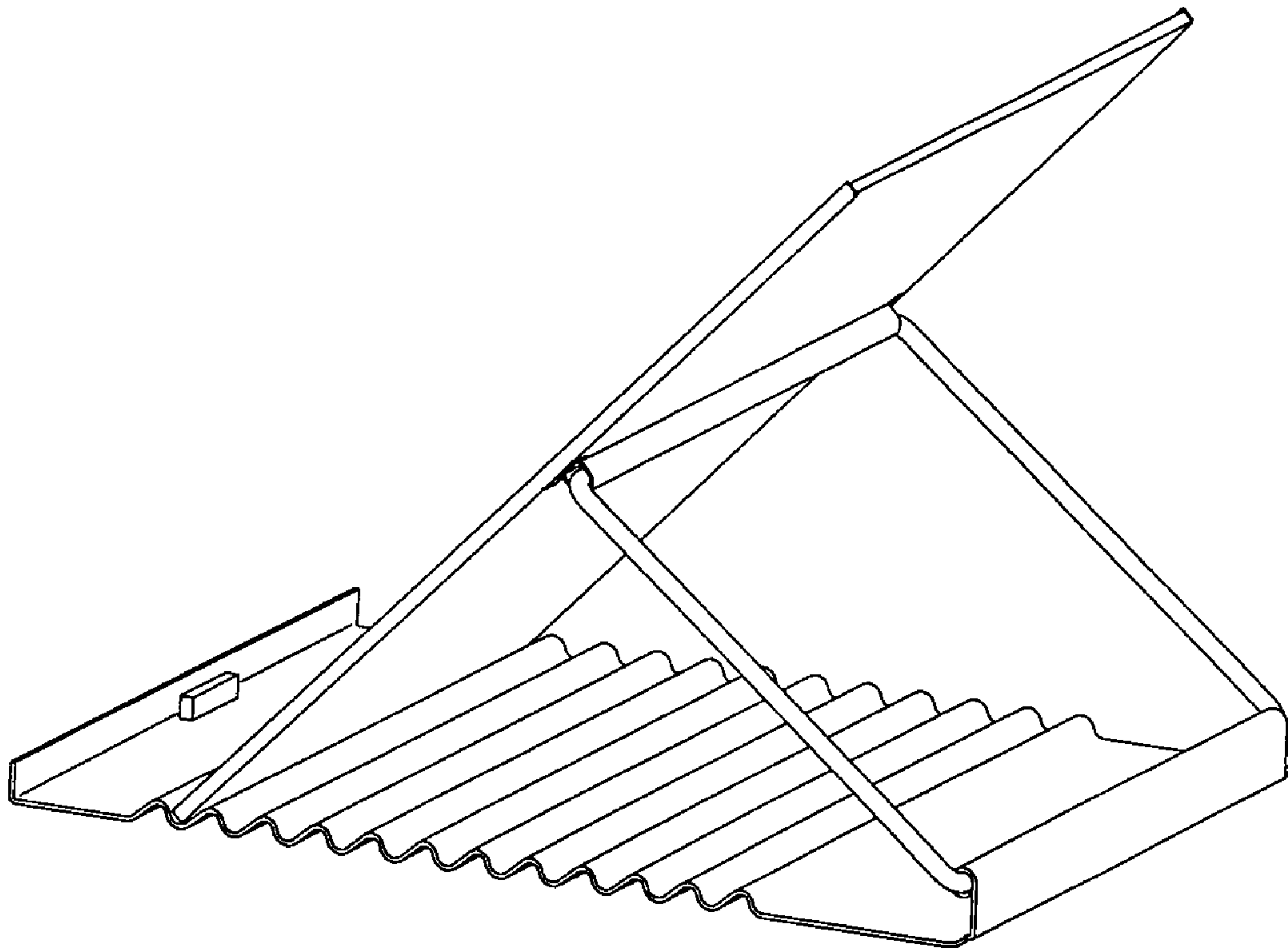


FIG. 1

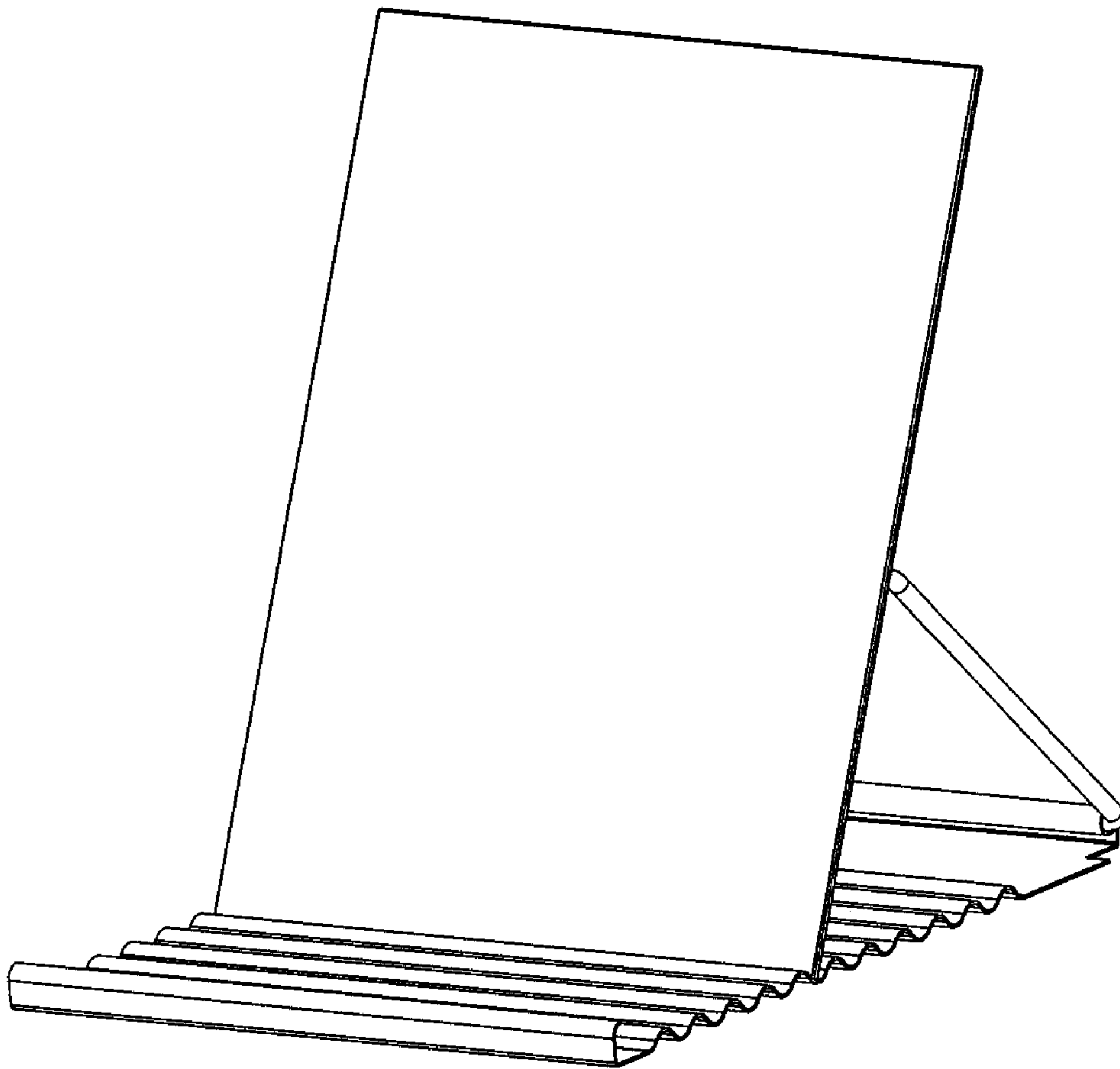


FIG. 2

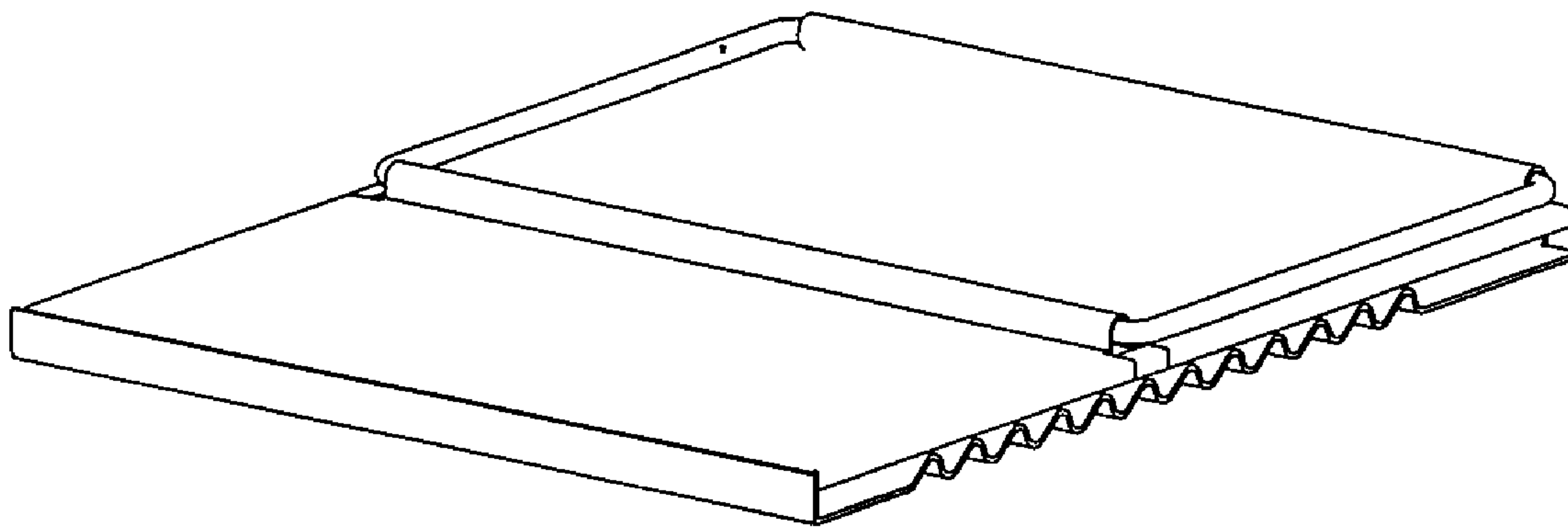


FIG. 3



FIG. 4

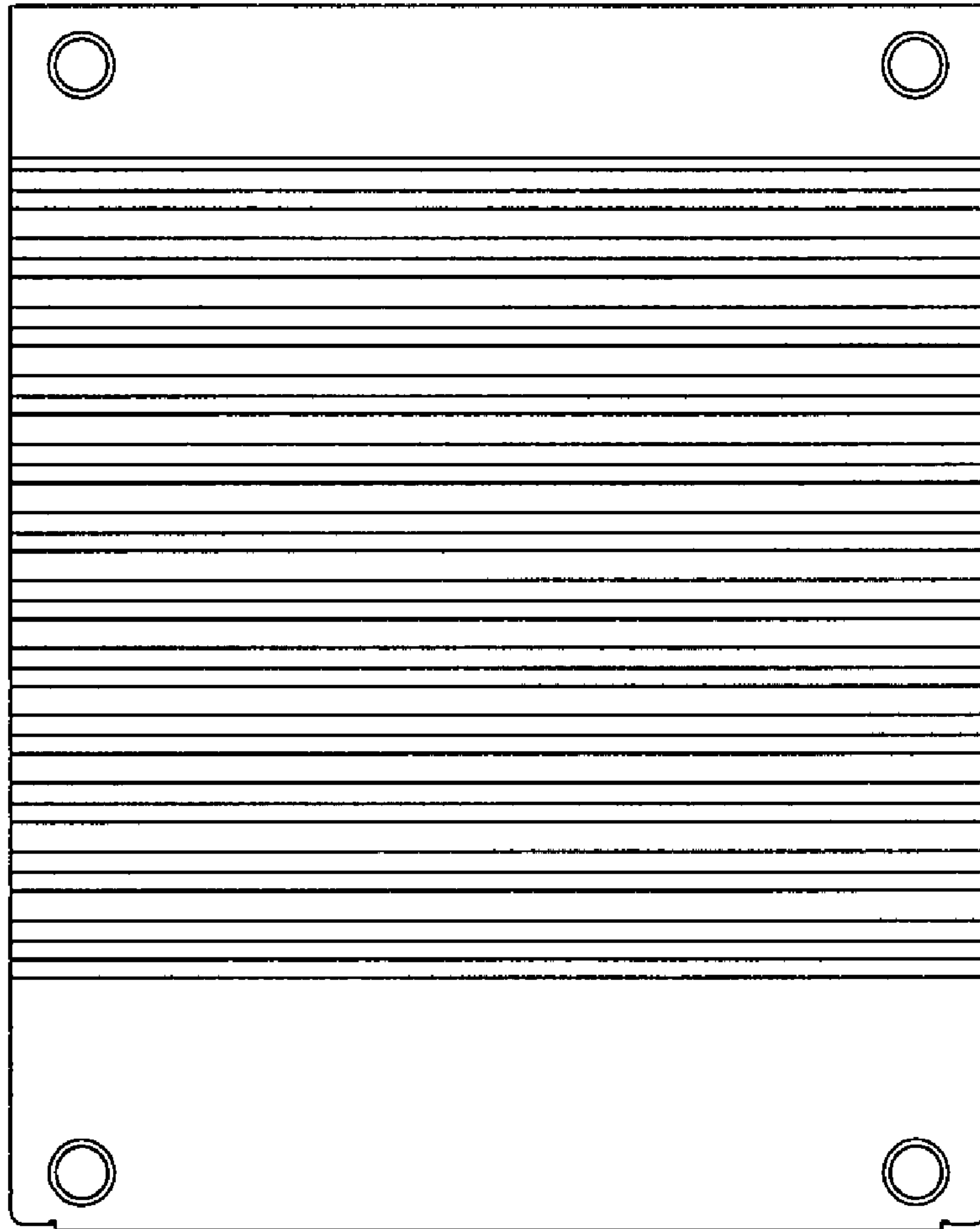


FIG. 5

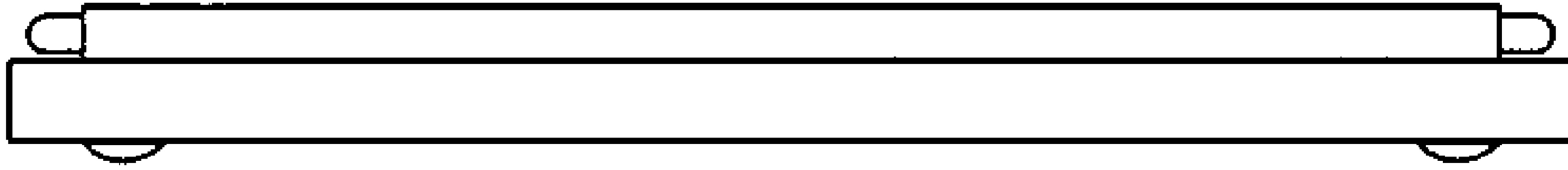


FIG. 6

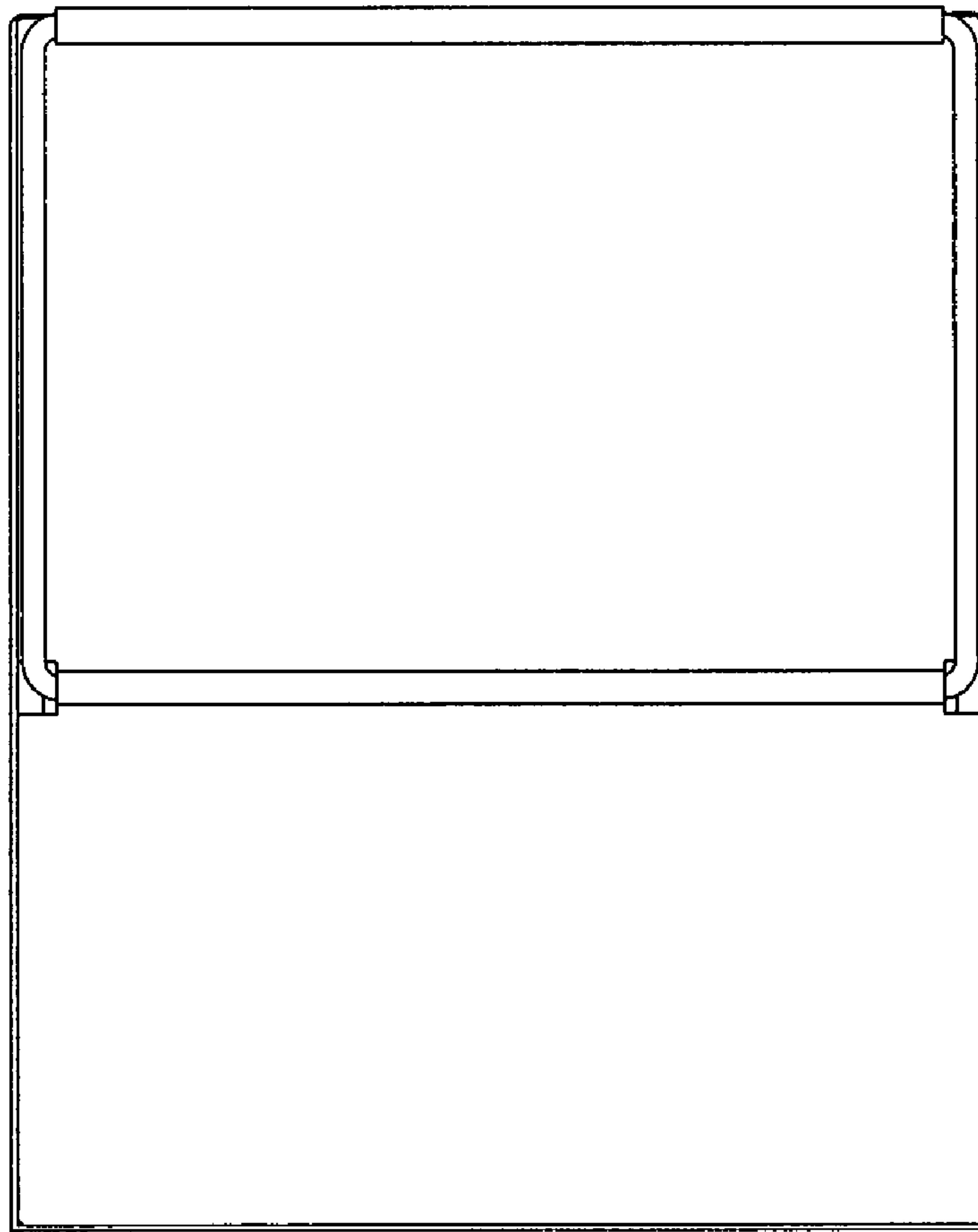


FIG. 7