



US00D564758S

(12) **United States Design Patent**  
**Drury**

(10) **Patent No.:** **US D564,758 S**

(45) **Date of Patent:** **\*\* Mar. 25, 2008**

(54) **BASKET**

(76) **Inventor:** **Peter Drury**, 8 Queens Avenue,  
Vaucluse, New South Wales 2030 (AU)

(\*\*) **Term:** **14 Years**

(21) **Appl. No.:** **29/266,456**

(22) **Filed:** **Sep. 20, 2006**

(30) **Foreign Application Priority Data**

Mar. 21, 2006 (AU) ..... 11183/06

(51) **LOC (8) Cl.** ..... **03-01**

(52) **U.S. Cl.** ..... **D3/304**

(58) **Field of Classification Search** ..... D3/304-315,  
D3/318; 220/485, 491, 494, 675, 752, 760,  
220/762, 764, 768, 769, 773, DIG. 12, DIG. 14;  
206/505-506, 508, 510, 821; D6/511, 516;  
D7/314, 601; D9/427, 432; D32/37  
See application file for complete search history.

(56) **References Cited**

**U.S. PATENT DOCUMENTS**

- D290,179 S \* 6/1987 Peltola ..... D3/309
- D327,560 S \* 6/1992 Hradisky ..... D3/307
- D343,711 S \* 1/1994 Craft et al. .... D32/37
- D344,823 S \* 3/1994 Wilgus et al. .... D32/37
- D395,362 S \* 6/1998 Fink et al. .... D3/307
- D400,355 S \* 11/1998 Apenes ..... D3/309
- D401,065 S \* 11/1998 Peltola ..... D3/304
- D416,116 S \* 11/1999 Sofy ..... D32/37
- D425,275 S \* 5/2000 Delouvre et al. .... D32/37
- D438,010 S \* 2/2001 Drury et al. .... D3/307
- D459,077 S \* 6/2002 Krivulin ..... D3/307

- D474,603 S \* 5/2003 Berenguer ..... D3/307
- D497,253 S \* 10/2004 Alves ..... D3/309

**FOREIGN PATENT DOCUMENTS**

- JP 0701778 3/1987
- JP 1077487 3/1989

\* cited by examiner

*Primary Examiner*—Stella M. Reid

*Assistant Examiner*—Eric L. Goodman

(74) *Attorney, Agent, or Firm*—Knobbe Martens Olson & Bear LLP

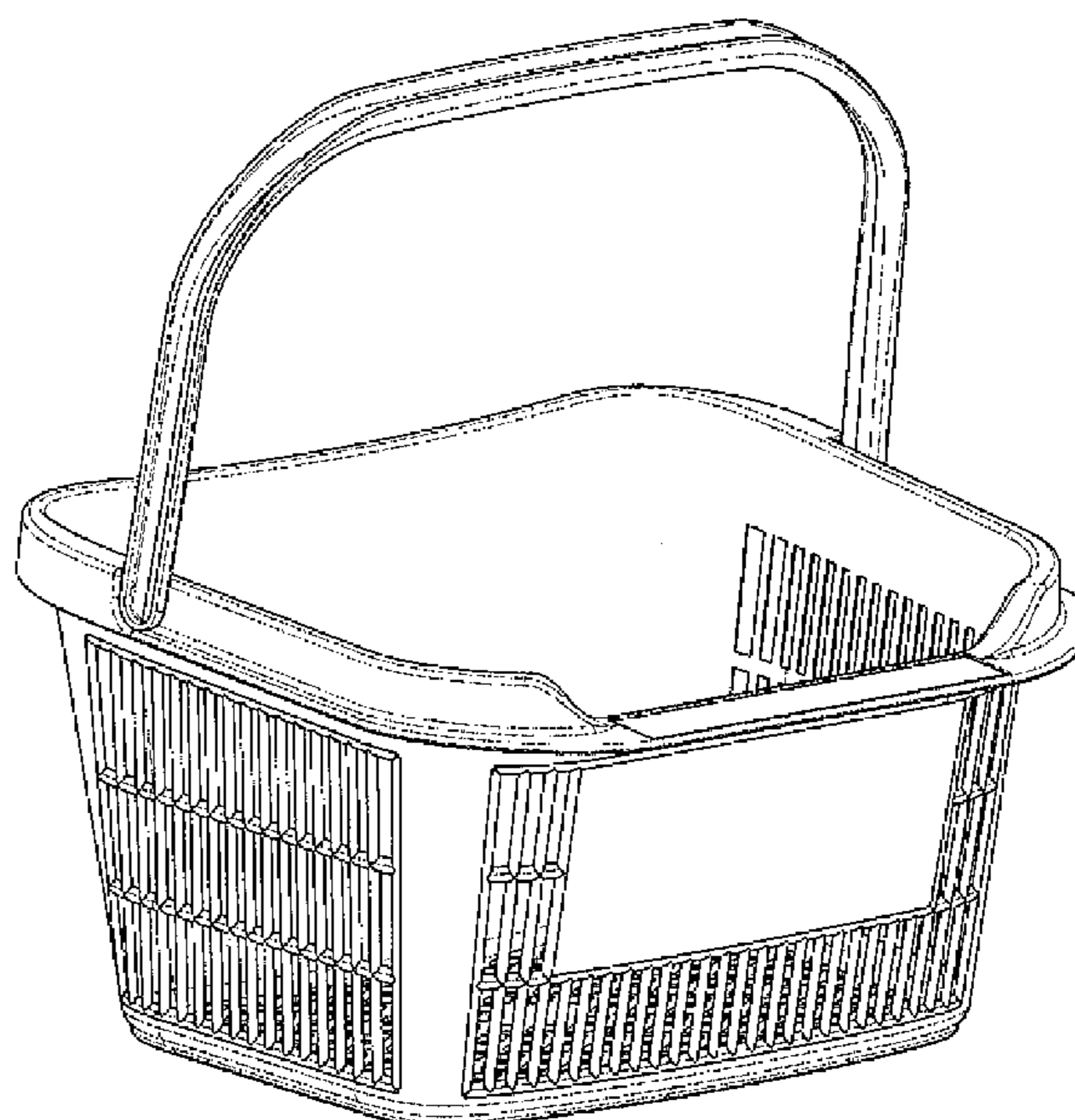
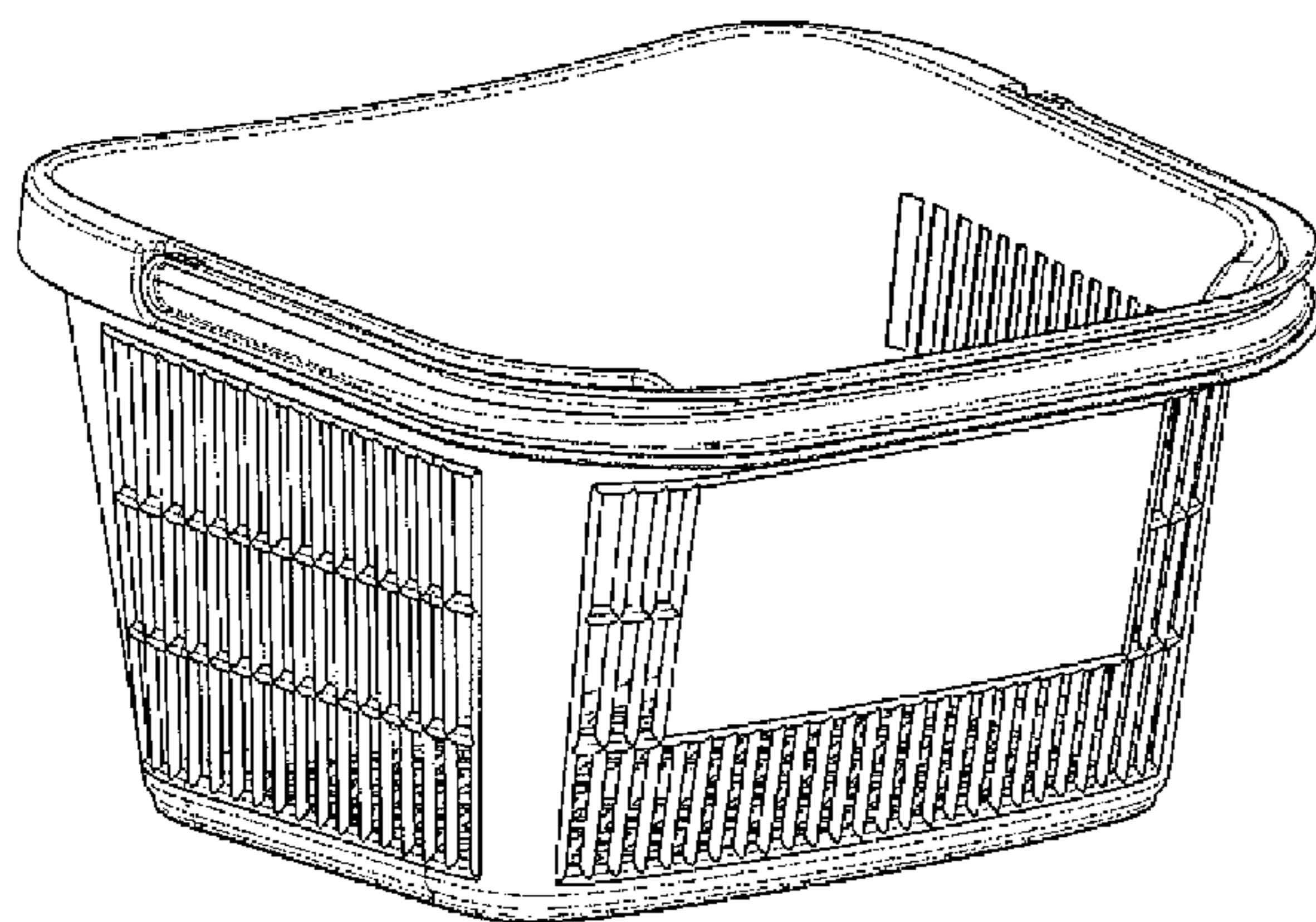
(57) **CLAIM**

The ornamental design for a basket, as shown and described.

**DESCRIPTION**

- FIG. 1 is a front perspective view of the basket;
- FIG. 2 is a front perspective view of the basket, with the handle elevated;
- FIG. 3 is a front view of a basket;
- FIG. 4 is a front view of the basket, with the handle elevated;
- FIG. 5 is a back view of the basket;
- FIG. 6 is a back view of the basket, with the handle elevated;
- FIG. 7 is a side view of the basket;
- FIG. 8 is a side view of the basket, with the handle elevated;
- FIG. 9 is a top view of the basket;
- FIG. 10 is a top view of the basket with the handle elevated; and,
- FIG. 11 is a bottom front perspective view of the basket.

**1 Claim, 6 Drawing Sheets**



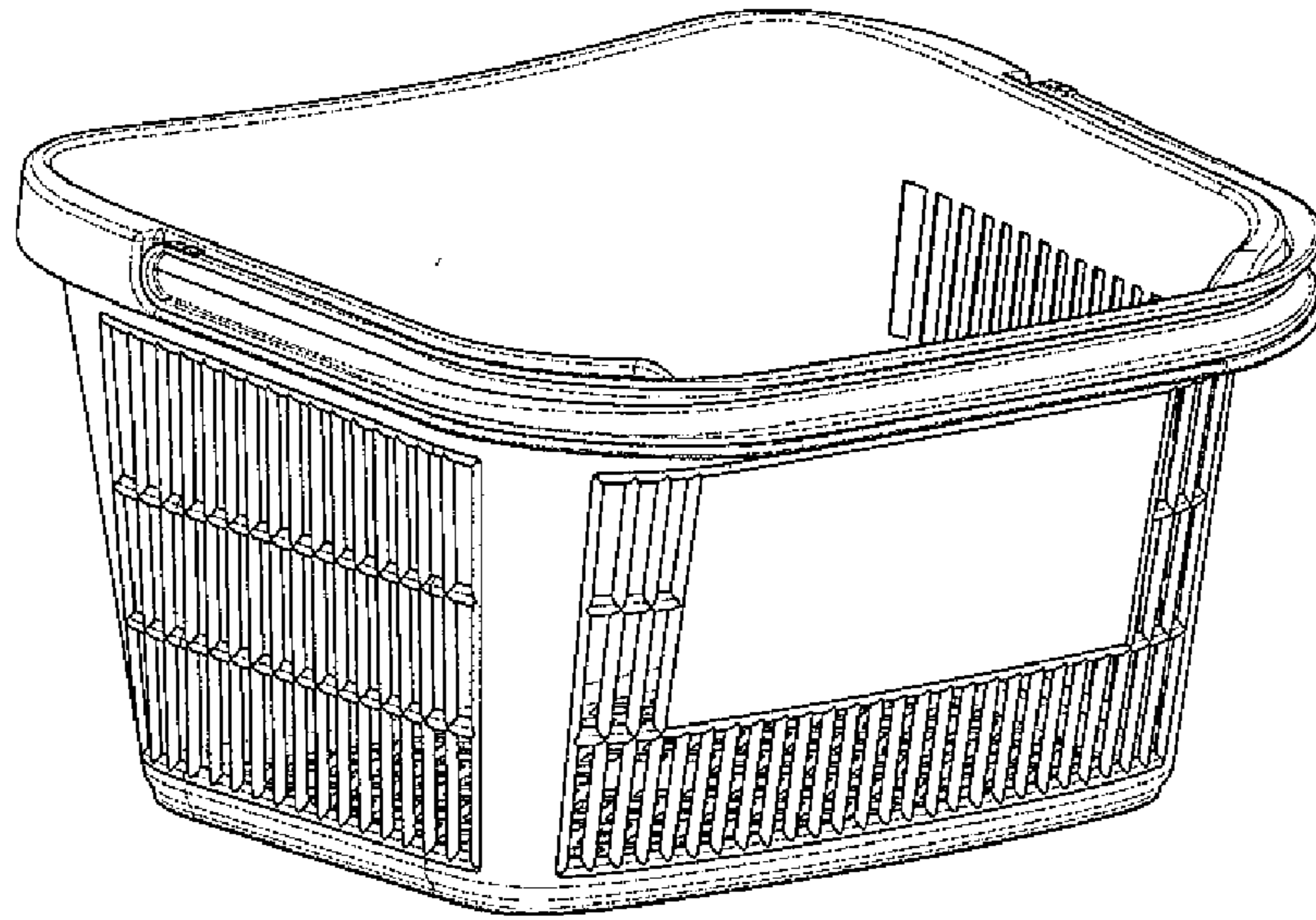


Fig. 1

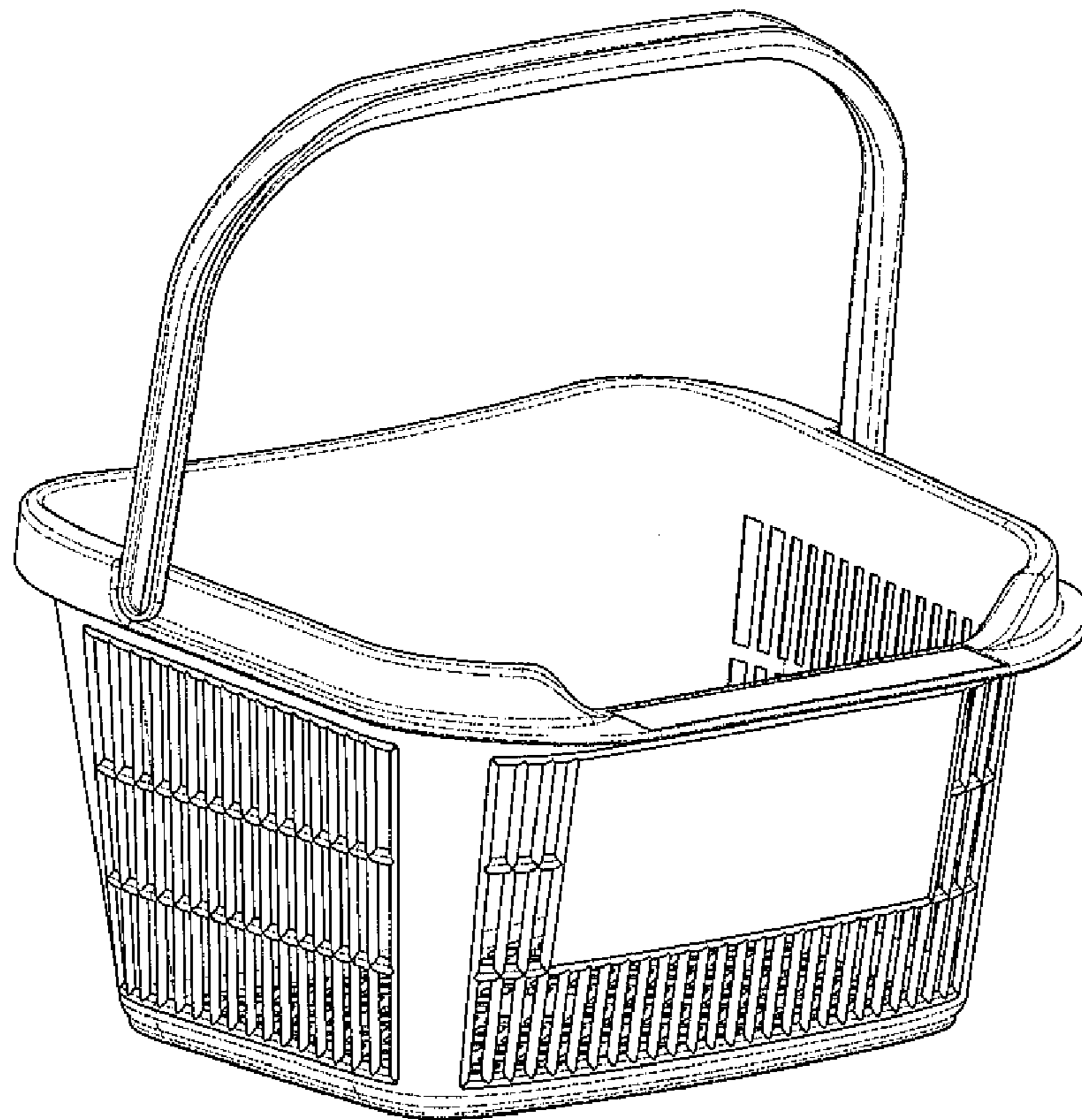


Fig. 2

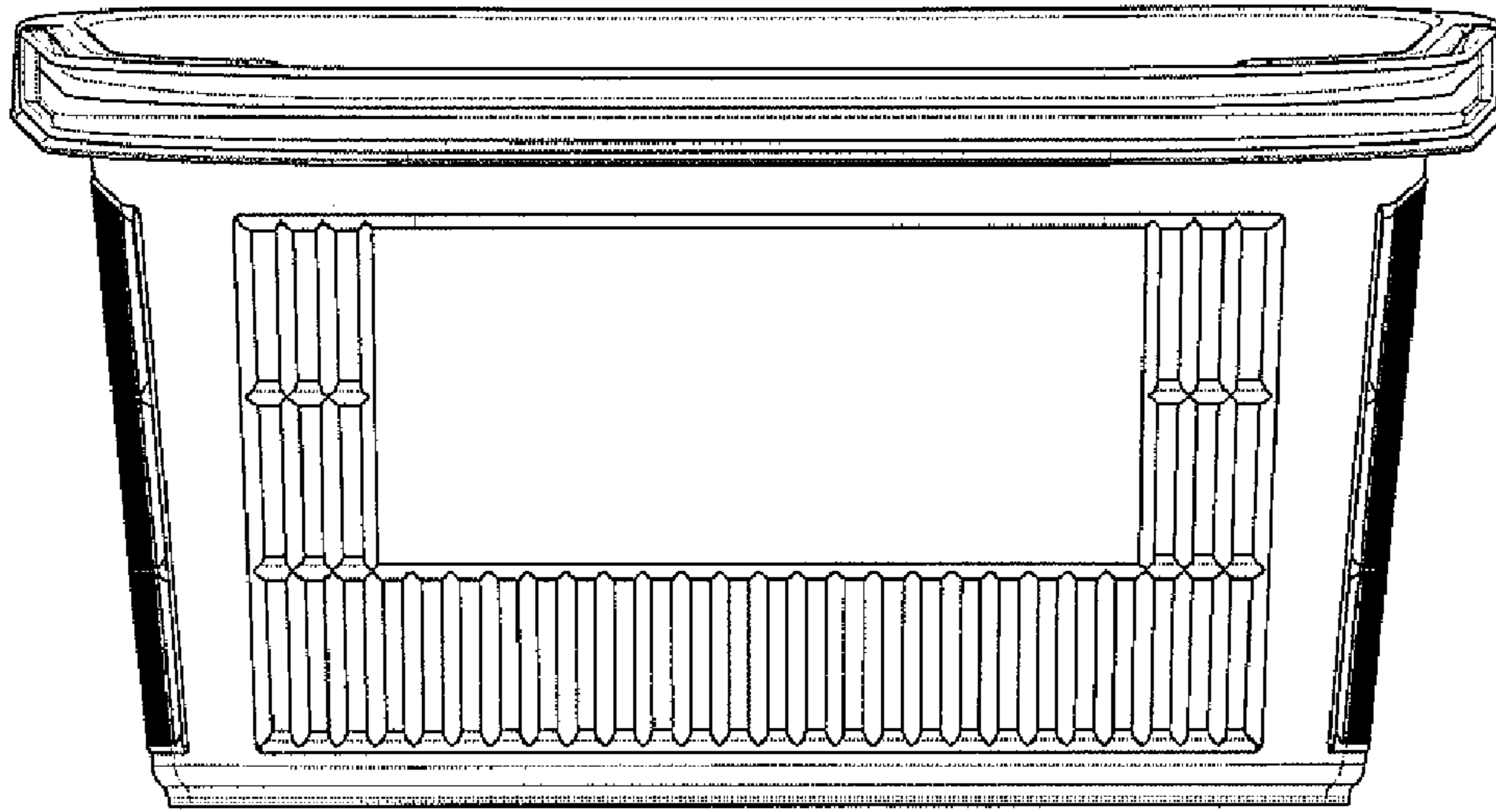


Fig. 3

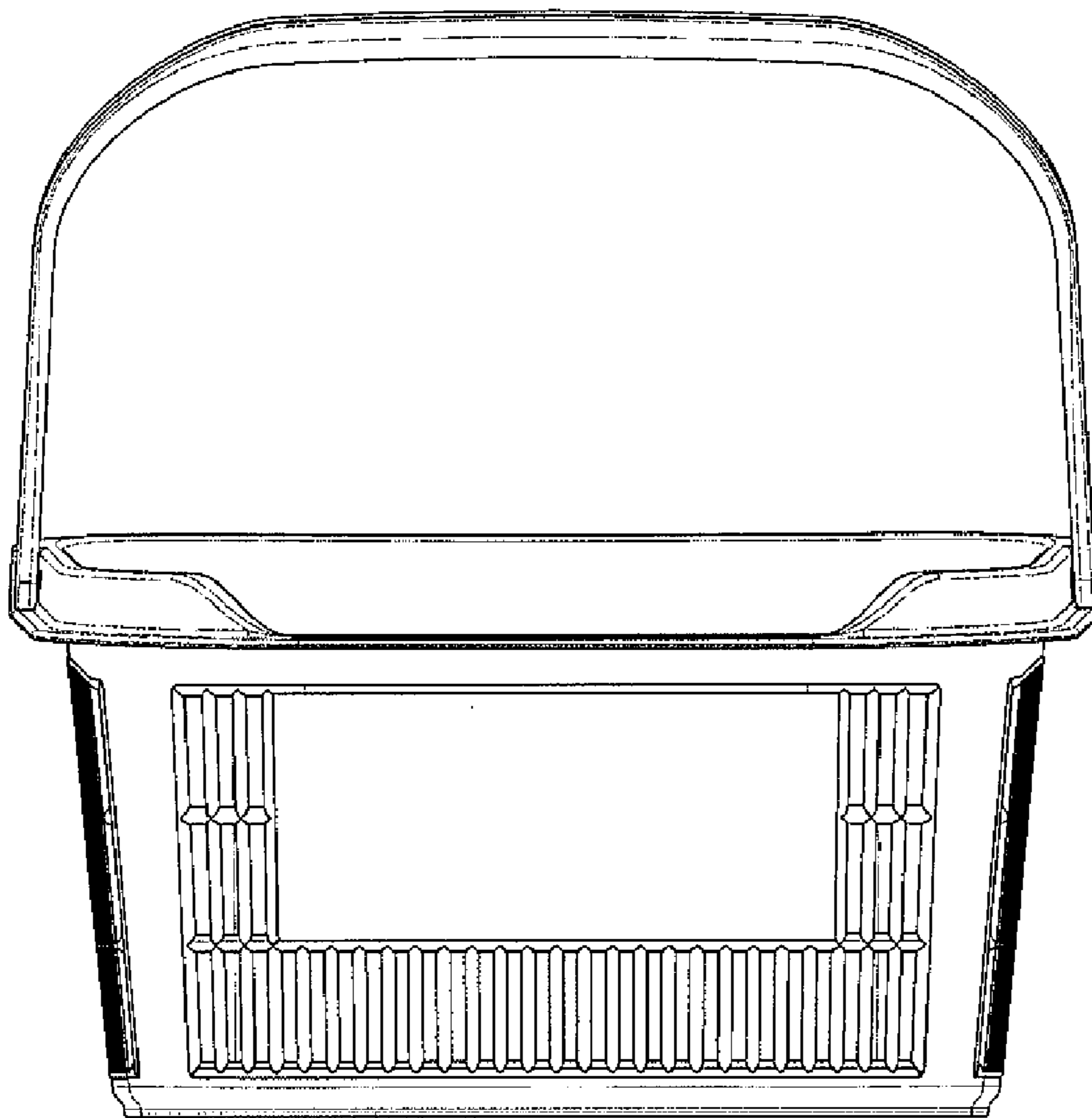
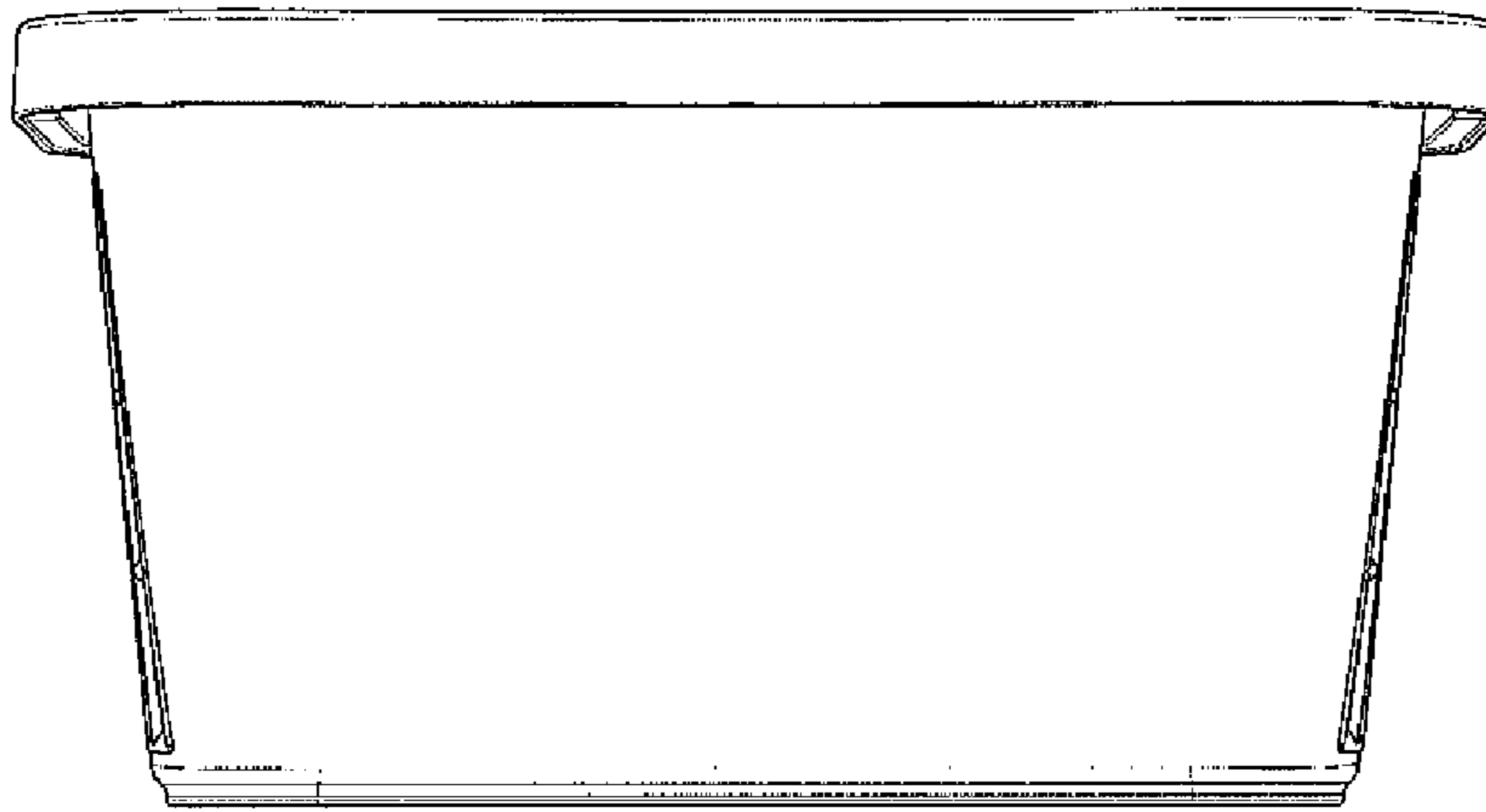
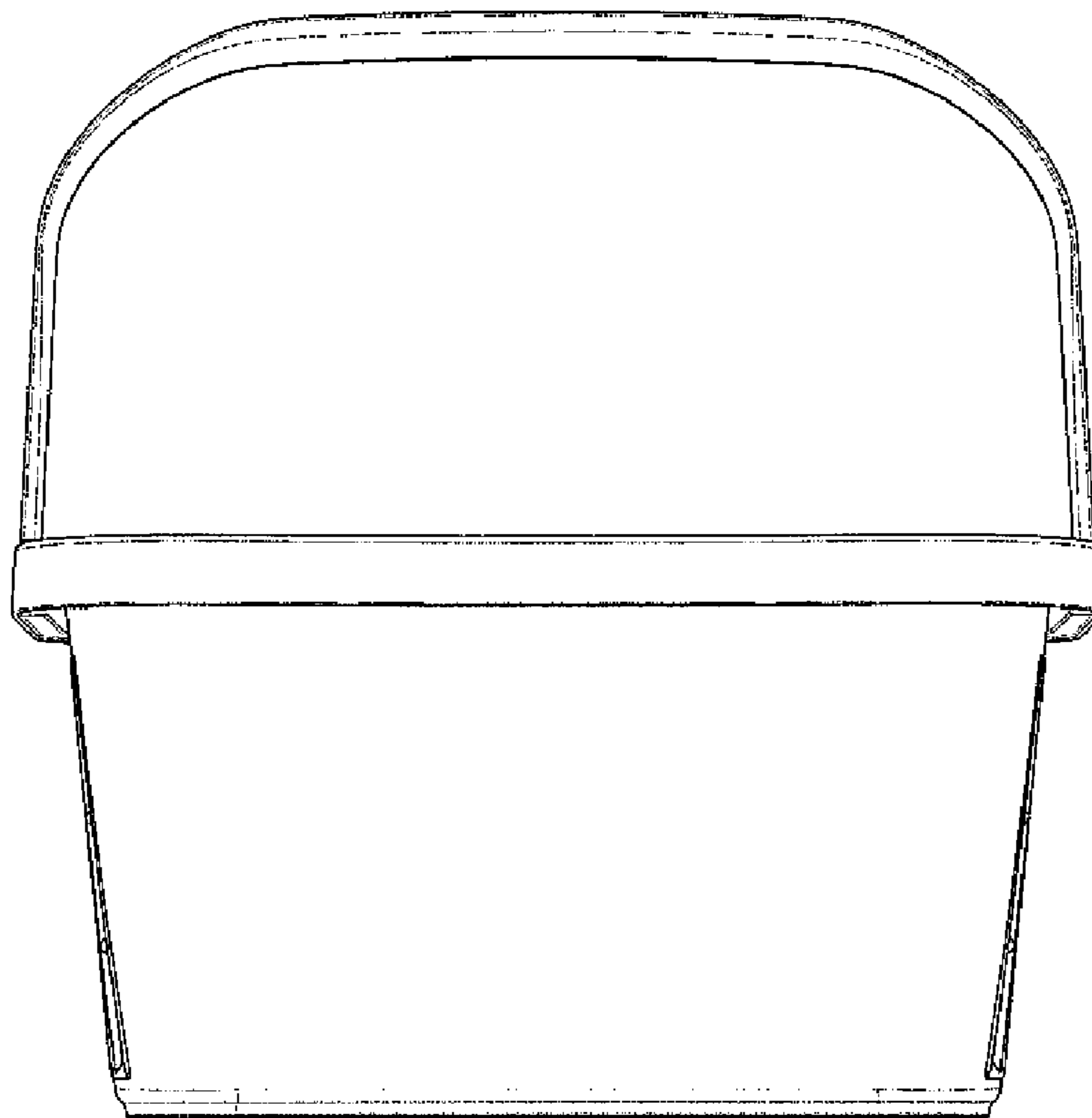


Fig. 4



**Fig. 5**



**Fig. 6**

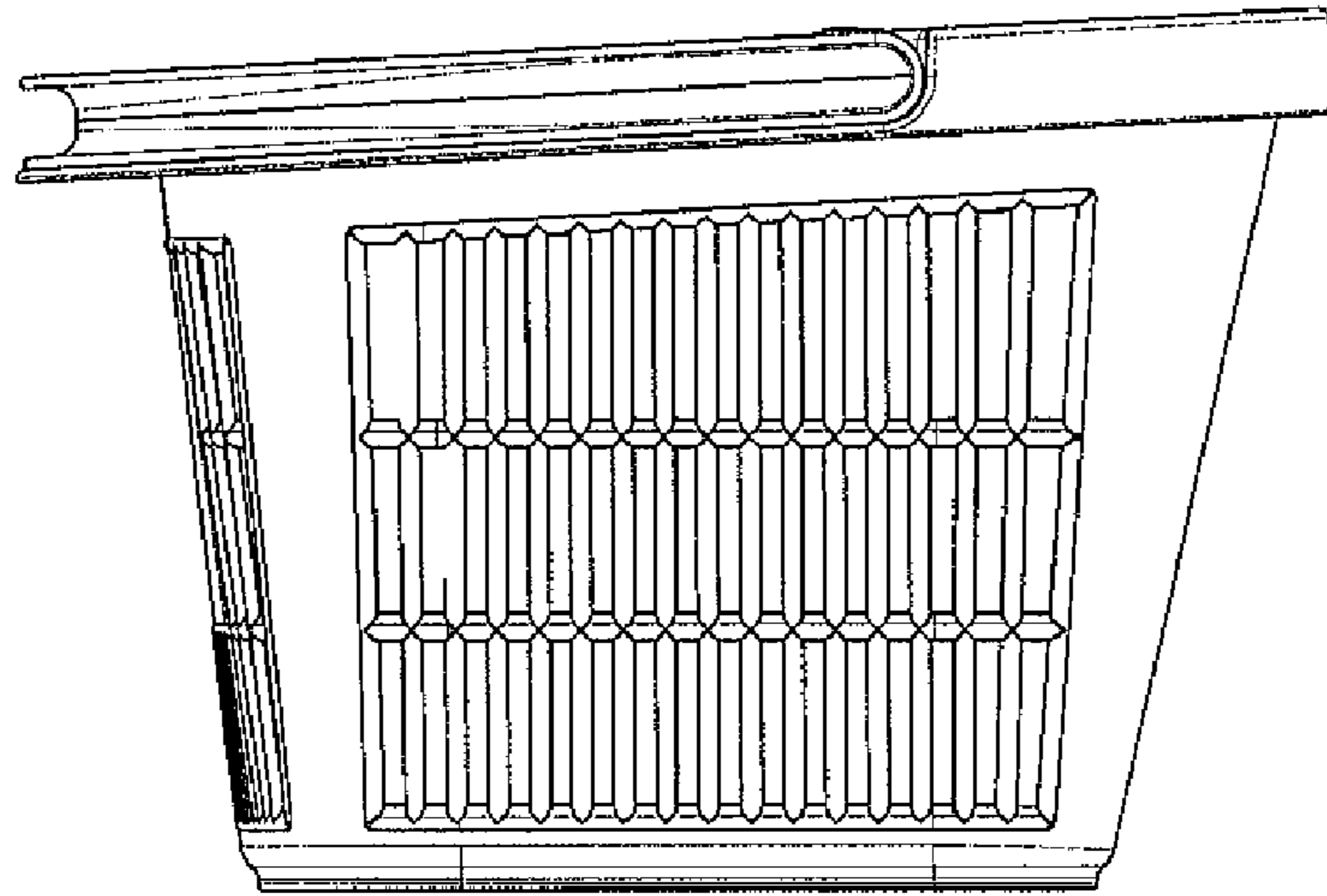


Fig. 7

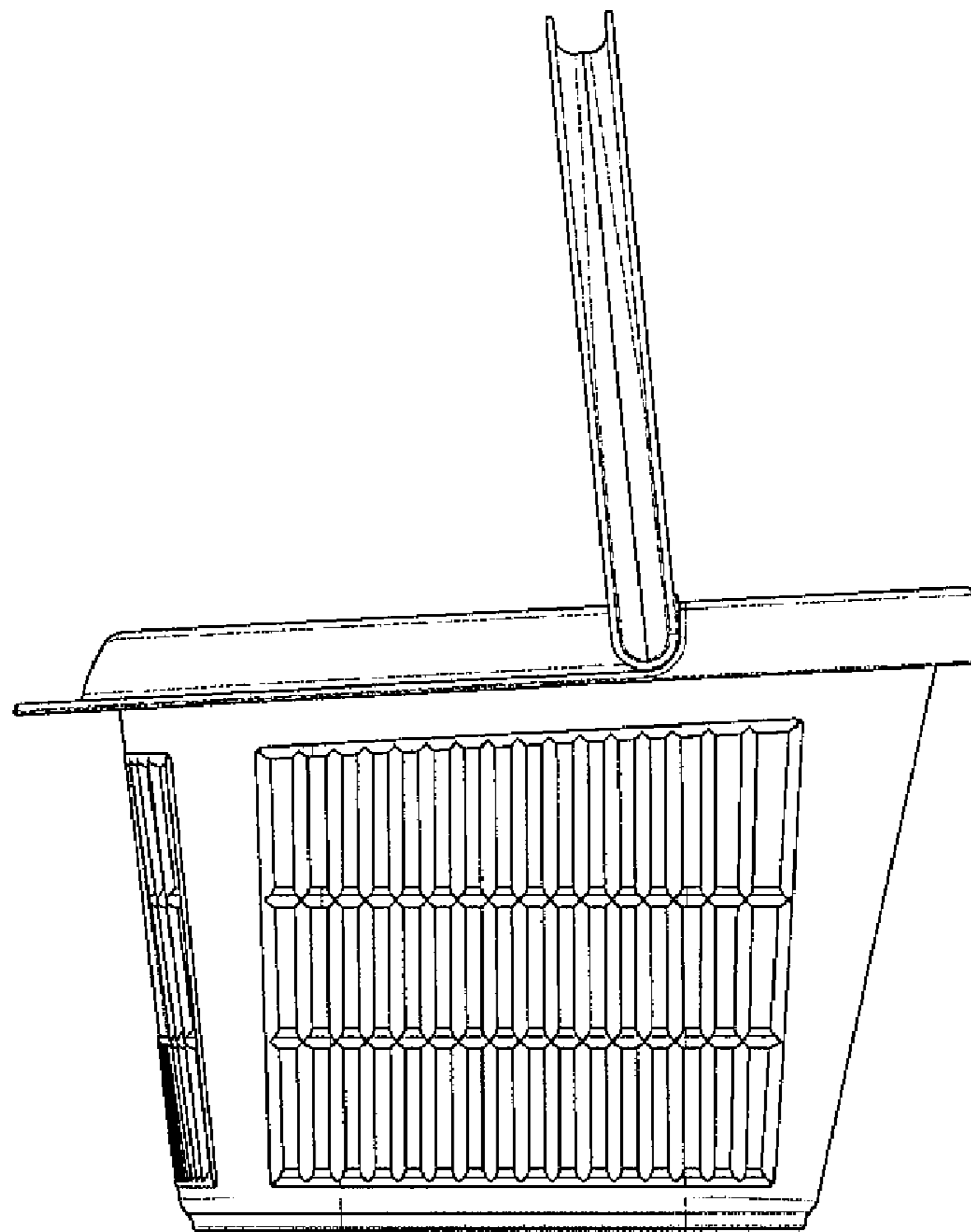


Fig. 8

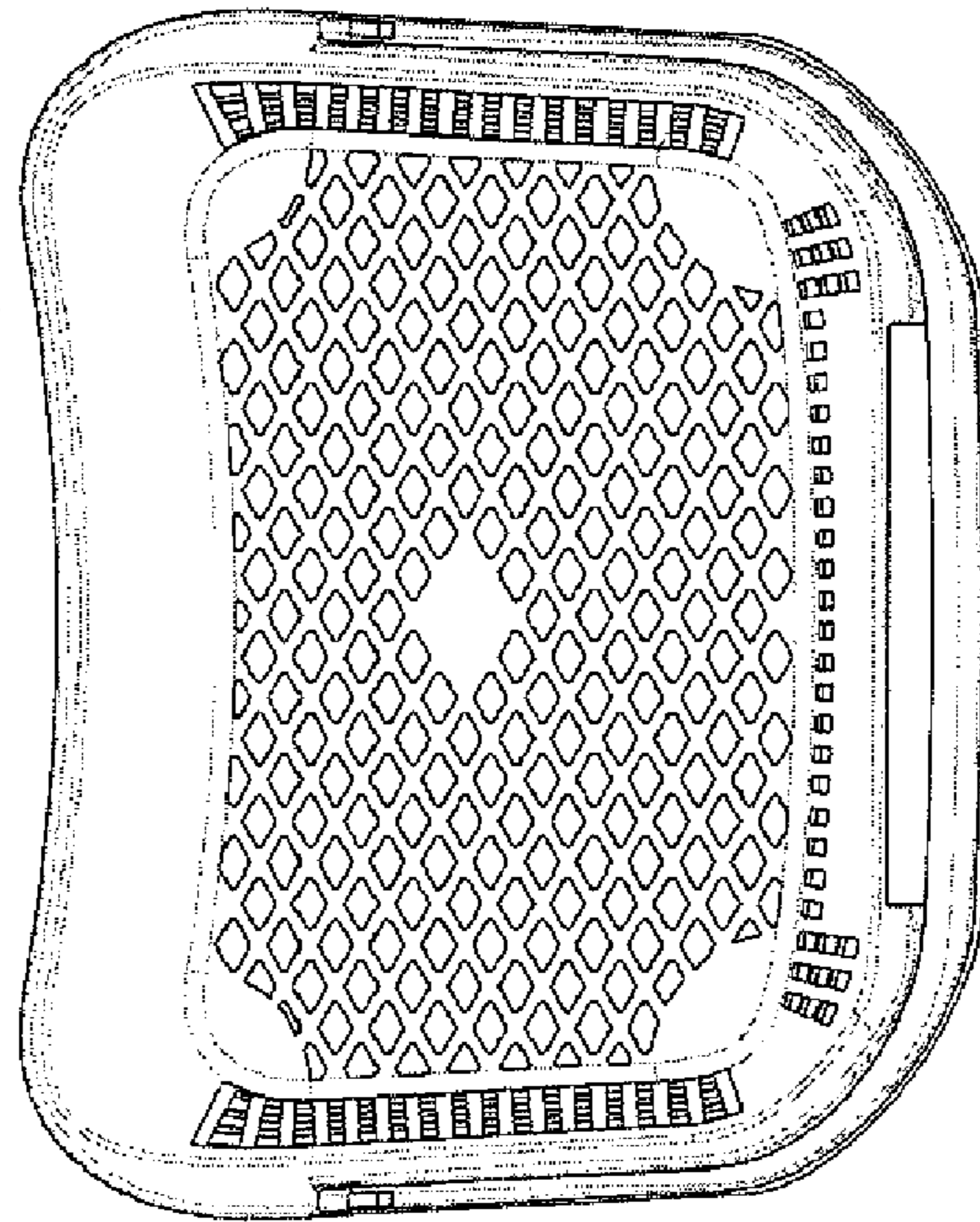


Fig. 9

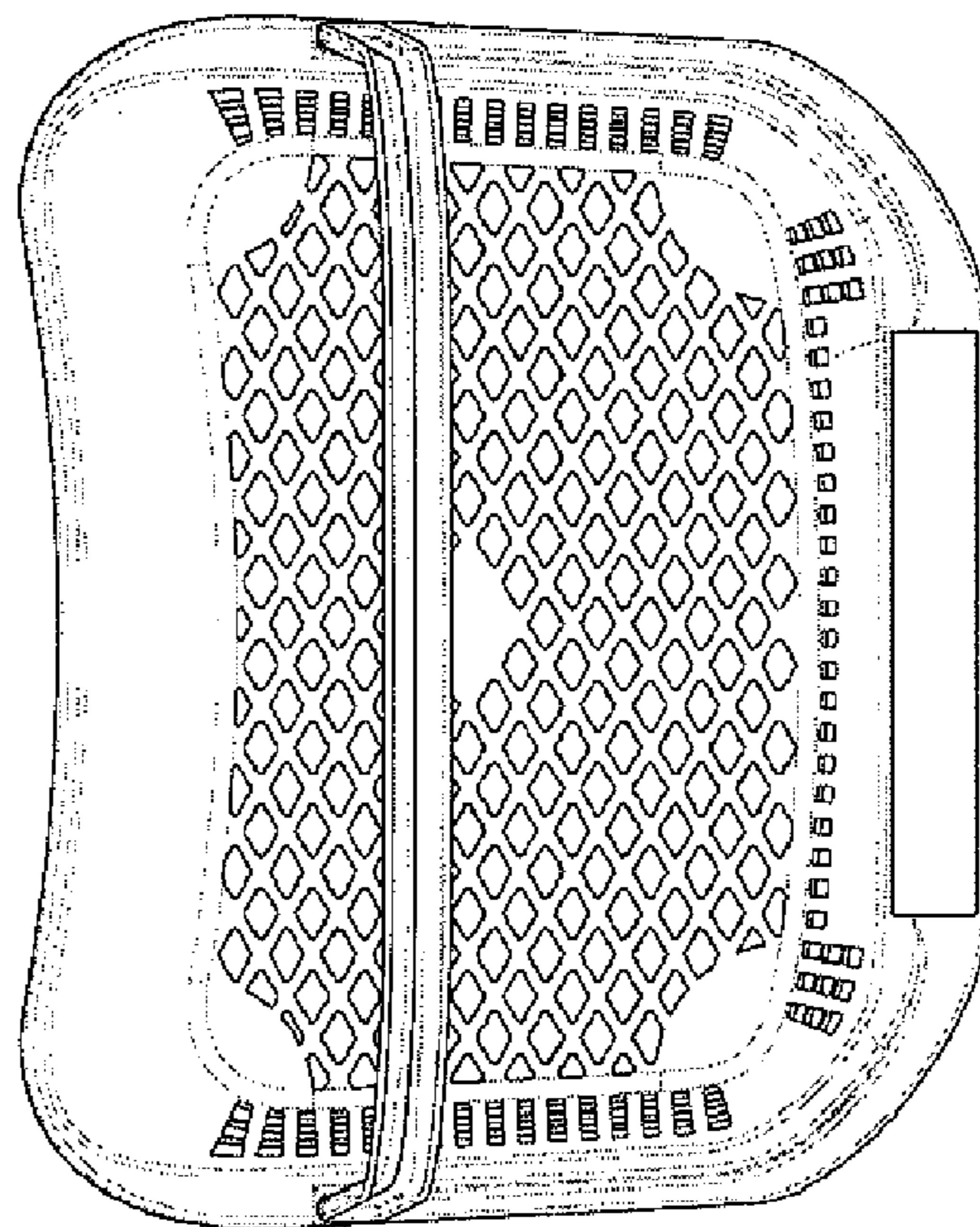


Fig. 10

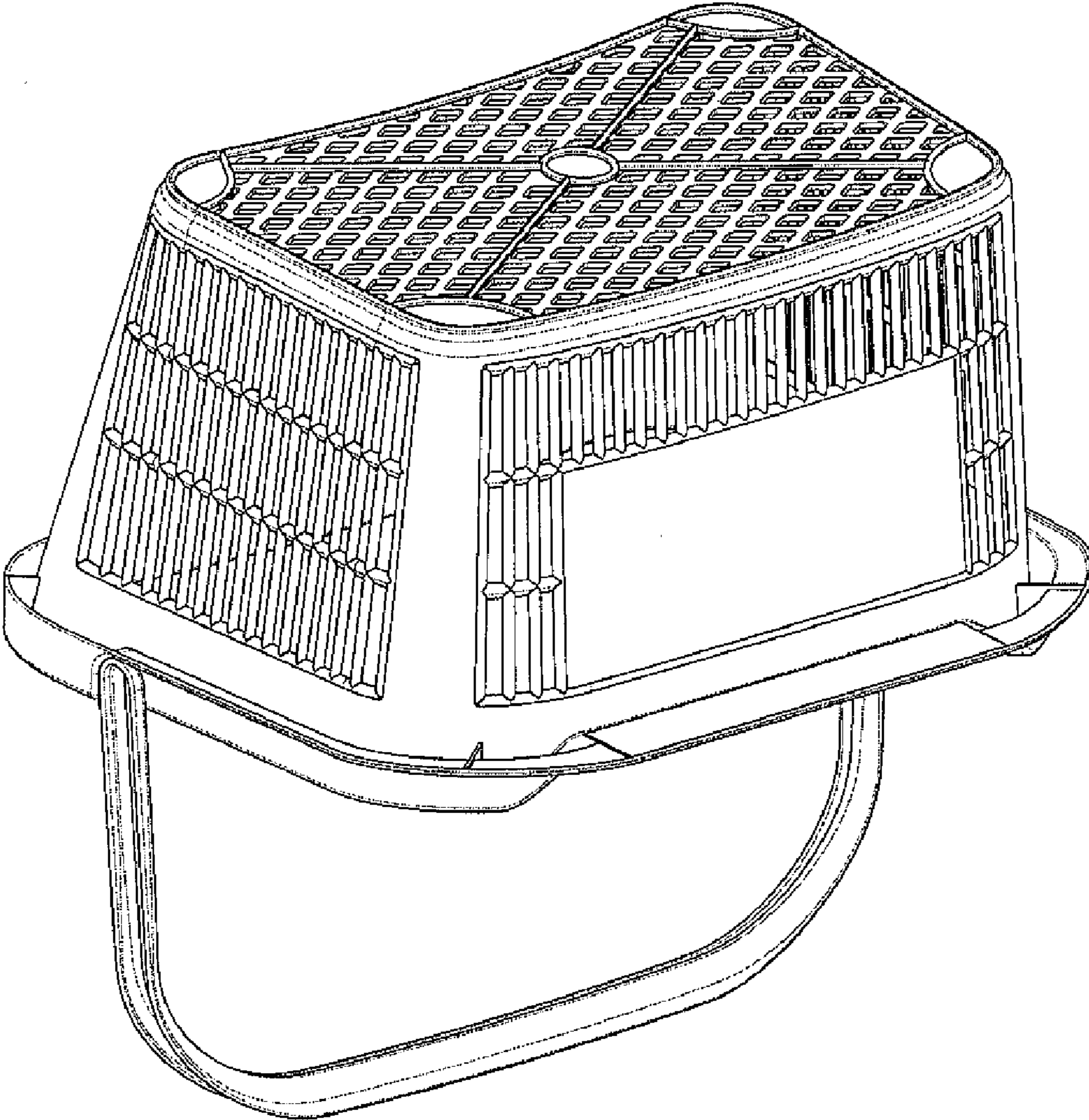


Fig. 11