



US00D564756S

(12) **United States Design Patent**
Hallar

(10) **Patent No.:** **US D564,756 S**

(45) **Date of Patent:** **** Mar. 25, 2008**

(54) **WEIGHT CASE**

(75) Inventor: **James H. Hallar**, Minneapolis, MN
(US)

(73) Assignee: **Target Brands, Inc.**, Minneapolis, MN
(US)

(**) Term: **14 Years**

(21) Appl. No.: **29/261,138**

(22) Filed: **Jun. 8, 2006**

(51) **LOC (8) Cl.** **03-01**

(52) **U.S. Cl.** **D3/282; D3/254**

(58) **Field of Classification Search** D3/273,
D3/254, 257–258, 276, 279, 282–284, 286–289,
D3/291–292, 294–295, 904–905; D21/662,
D21/680–683; 206/315.1, 349, 372–373;
482/93, 105–106, 108–109

See application file for complete search history.

(56) **References Cited**

U.S. PATENT DOCUMENTS

1,951,894 A	3/1934	Ziebarth	
2,261,605 A	11/1941	Smith	
D180,490 S *	6/1957	Lunan D3/282
D202,322 S *	9/1965	Kelley D3/258
3,266,605 A	8/1966	Anderson et al.	
D216,349 S *	12/1969	Bomeisler D28/38
3,524,564 A	8/1970	Schurman	
D221,821 S *	9/1971	Genaro D3/282

(Continued)

Primary Examiner—Philip S. Hyder
Assistant Examiner—R. L. (Ulm) Cody

(74) *Attorney, Agent, or Firm*—Faegre & Benson LLP

(57) **CLAIM**

The ornamental design for a weight case, as shown and described.

DESCRIPTION

FIG. 1 is a perspective view of a weight case, according to an embodiment of the invention, with some features shown in broken lines.

FIG. 2 is an alternate view of the weight case of FIG. 1, in which exercise weights mounted in pockets of the claimed design and hand grips are also shown in broken lines.

FIG. 3 is a front view of the weight case of FIG. 1 with some features shown in broken lines. A back view of the weight case of FIG. 1 is identical, mirror image of FIG. 2 and is omitted.

FIG. 4 is a right end view of the weight case of FIG. 1.

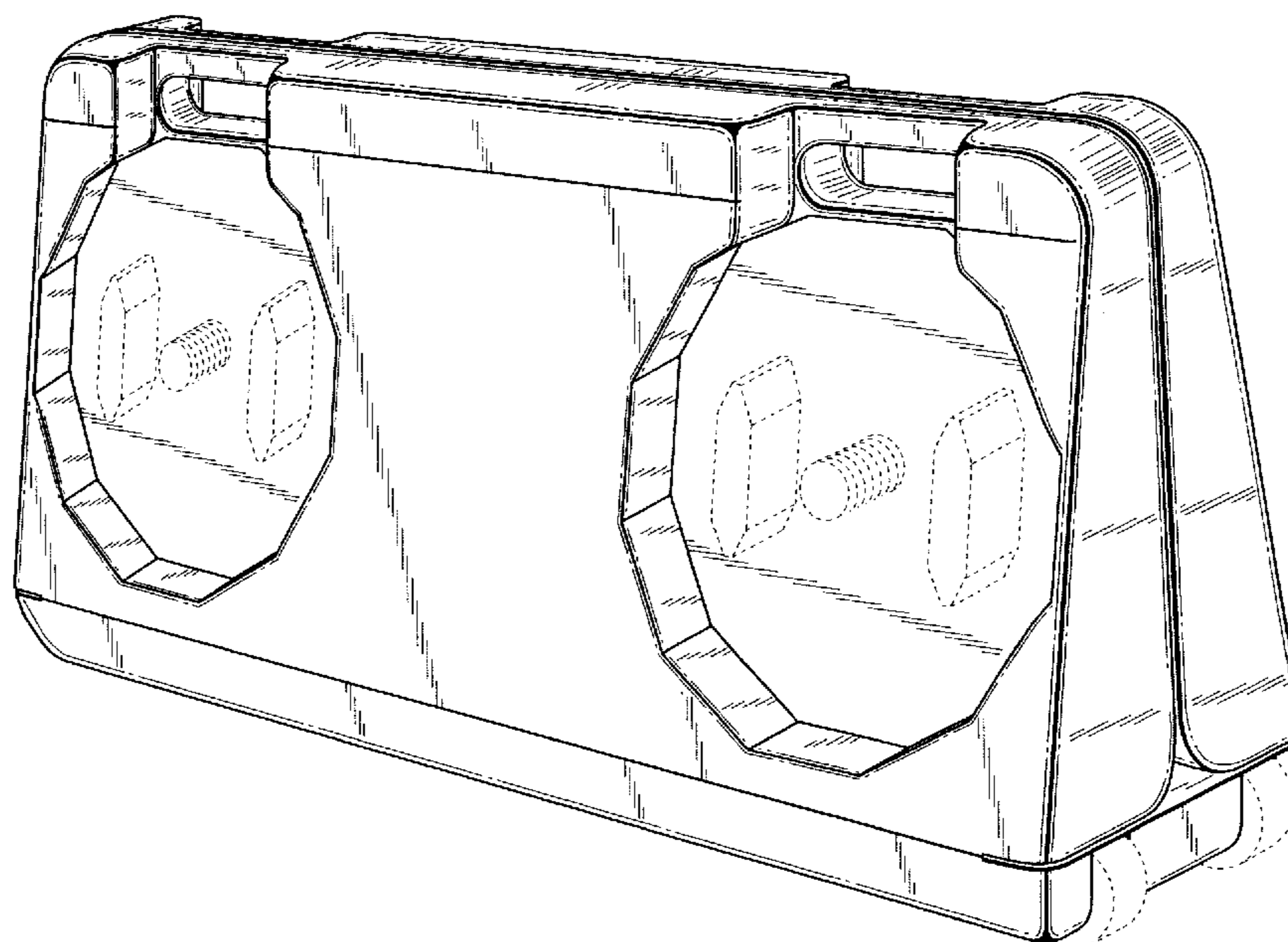
FIG. 5 is a left end view of the weight case of FIG. 1.

FIG. 6 is a top view of the weight case with some features shown in broken lines; and,

FIG. 7 is a bottom view of a weight case, according to an embodiment of the invention with wheels shown in broken lines.

The broken line showing of environment in FIGS. 1–4, 6 and 7 is for illustrative purposes only and forms no part of the claimed design.

1 Claim, 5 Drawing Sheets



US D564,756 S

Page 2

U.S. PATENT DOCUMENTS

3,724,617	A	4/1973	Lawler				
D232,597	S *	8/1974	Sias	D3/268		
D233,179	S *	10/1974	Sias	D3/268		
D235,036	S *	4/1975	Shigeaki	D3/269		
D237,419	S *	10/1975	Lapins	D3/282		
D245,479	S *	8/1977	Malcolm	D3/282		
D267,370	S *	12/1982	Cline	D3/282		
D268,457	S *	4/1983	Bellini	D3/281		
D270,302	S	8/1983	Starzec				
4,431,185	A	2/1984	Cisneros				
D272,869	S *	3/1984	Davis	D3/282		
4,477,074	A	10/1984	Bushnell				
4,951,812	A	8/1990	Chen				
D349,628	S *	8/1994	Kahl et al.	D7/605		
D351,727	S *	10/1994	Tarozzi	D3/276		
D360,757	S *	8/1995	Snetting et al.	D3/282		
5,447,216	A	9/1995	Freyvogel				
D369,677	S *	5/1996	Bussmann et al.	D3/282		
D369,901	S *	5/1996	Laube	D3/205		
D379,715	S *	6/1997	Yemini	D3/282		
5,697,870	A	12/1997	Osborn				
D392,803	S *	3/1998	Pohlman	D3/282		
D393,945	S *	5/1998	Urvoy	D3/282		
5,799,789	A *	9/1998	Ritchie et al.	206/378		
5,813,953	A	9/1998	Whipple				
D403,860	S *	1/1999	Ritchie et al.	D3/282		
D406,192	S *	3/1999	Schurman	D3/282		
5,997,442	A	12/1999	Cordes				
6,093,136	A	7/2000	Whipple				
6,123,651	A	9/2000	Ellenburg				
D459,074	S	6/2002	Eckmann				
7,066,327	B2 *	6/2006	Baublitz et al.	206/349		
7,134,548	B2 *	11/2006	Meehan et al.	206/315.1		
2003/0015445	A1 *	1/2003	Levy	206/373		
2004/0035748	A1	2/2004	Hernandez, Jr. et al.				
2005/0115849	A1	6/2005	Nally				

* cited by examiner

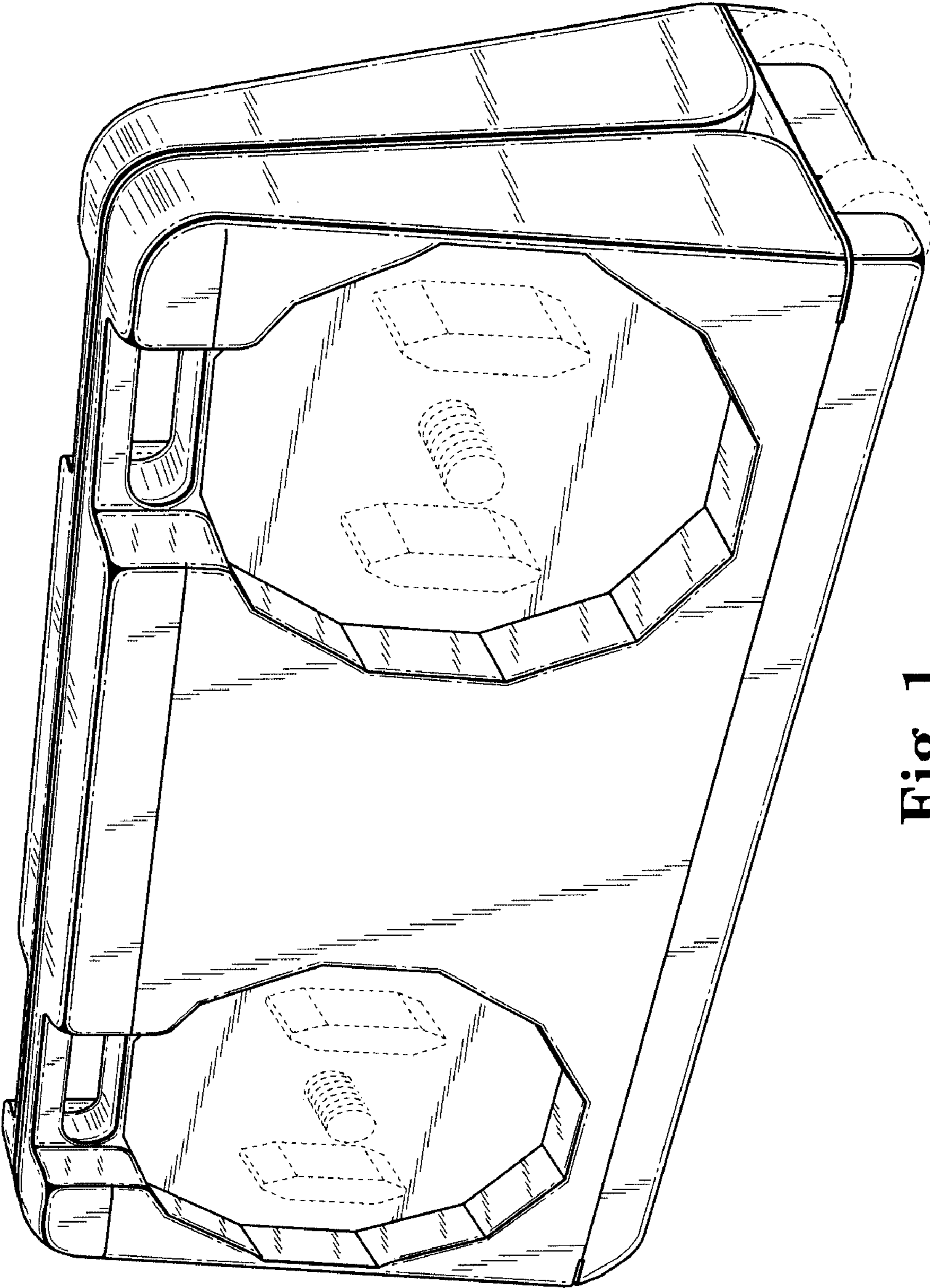


Fig. 1

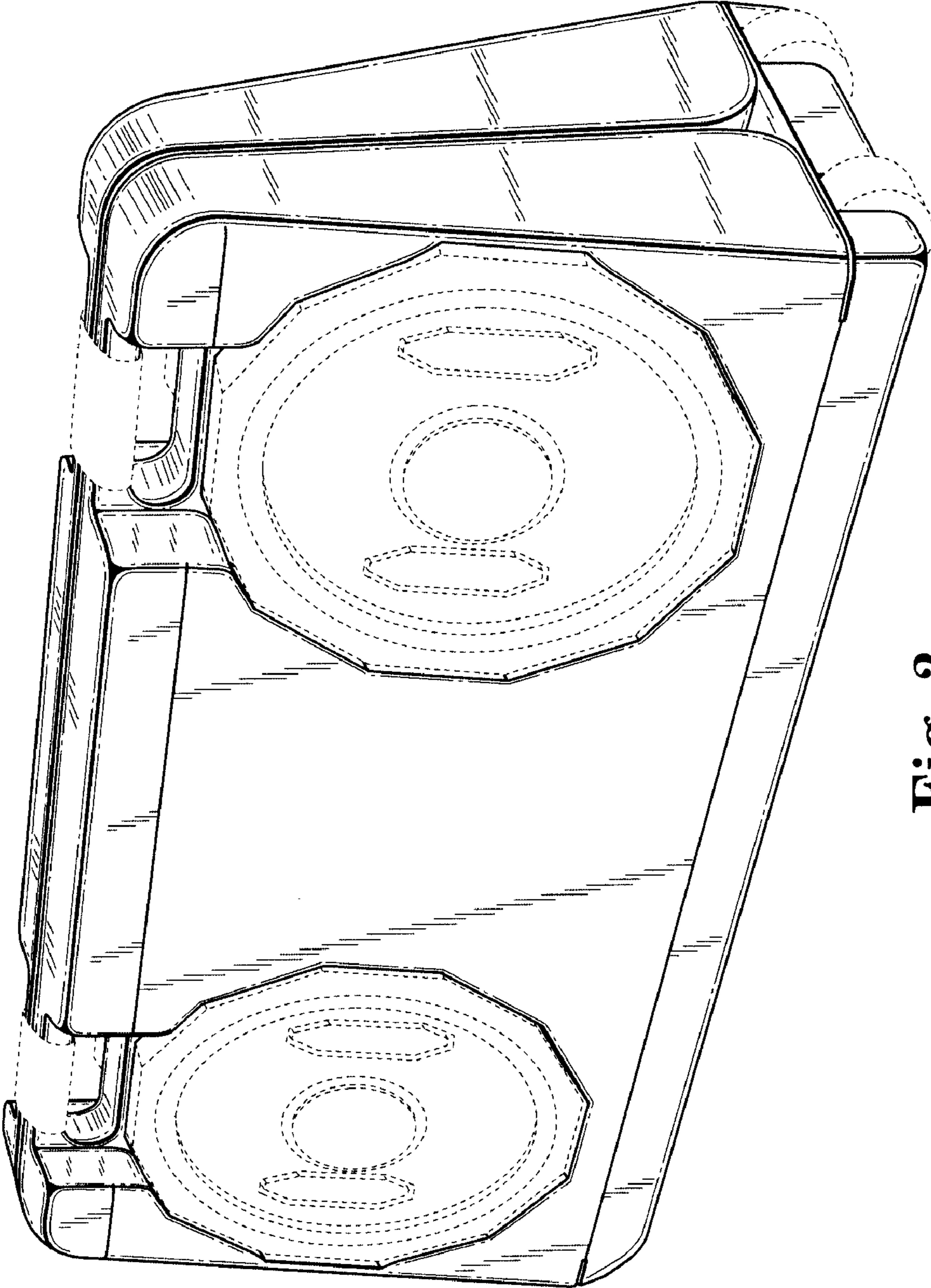


Fig. 2

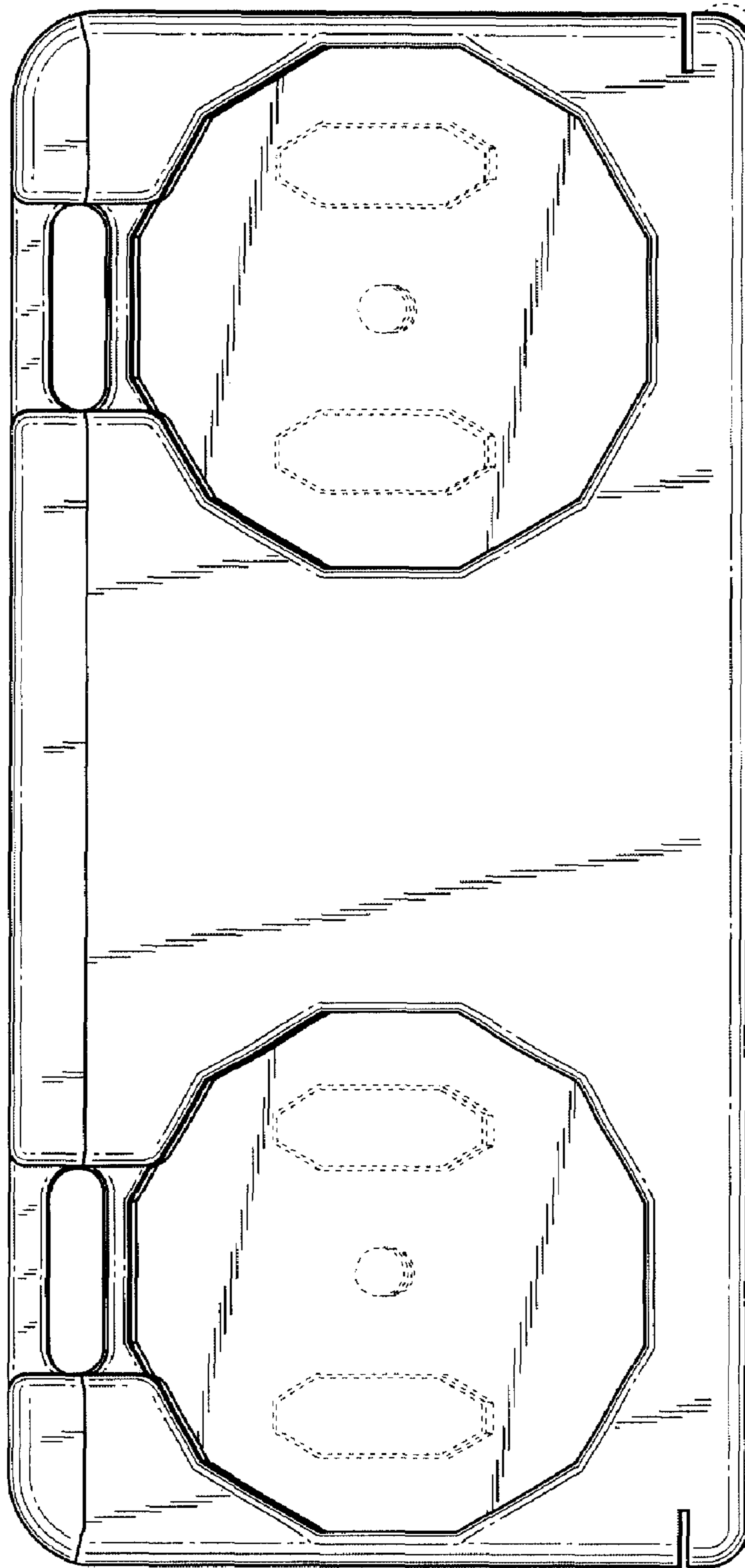


Fig. 3

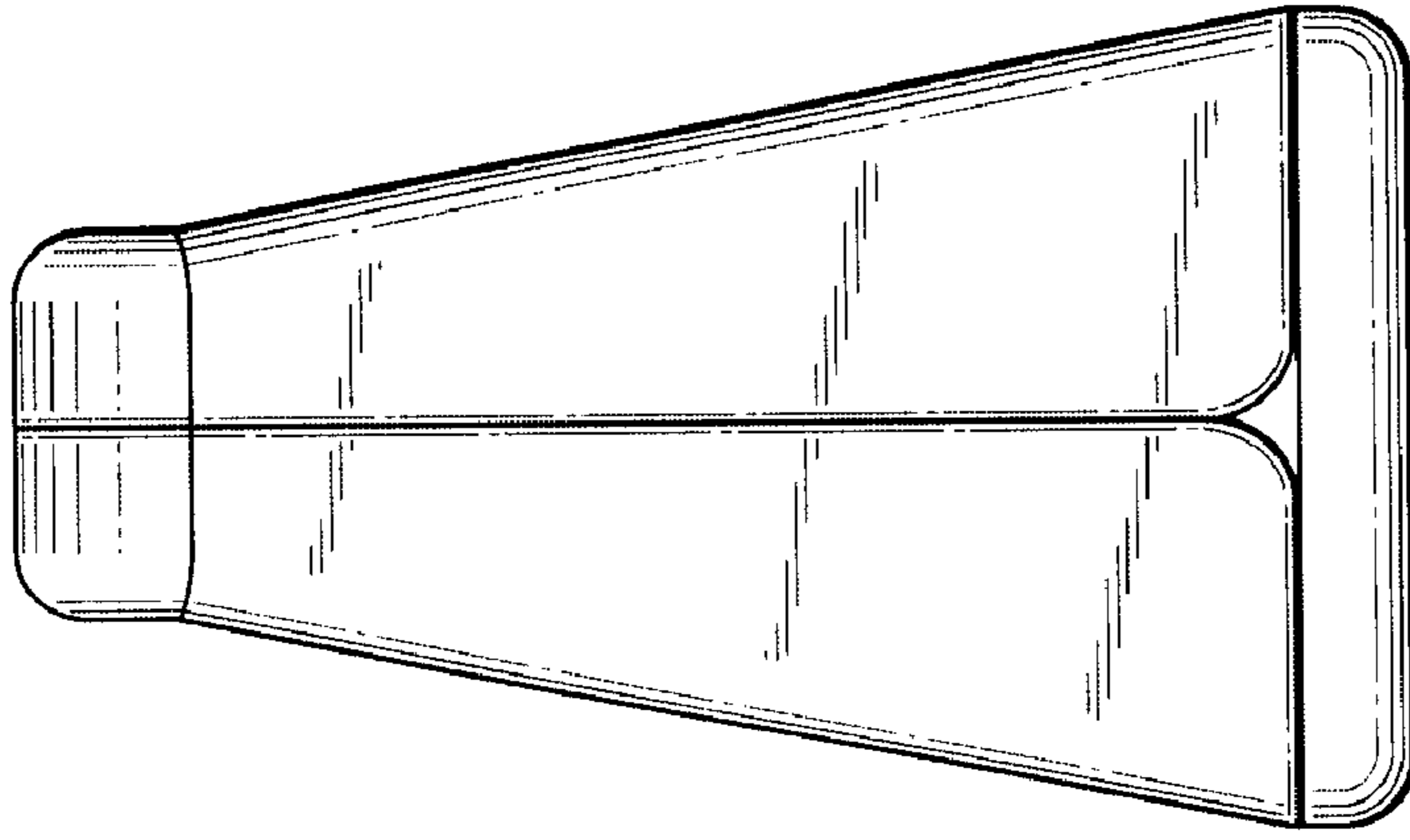


Fig. 5

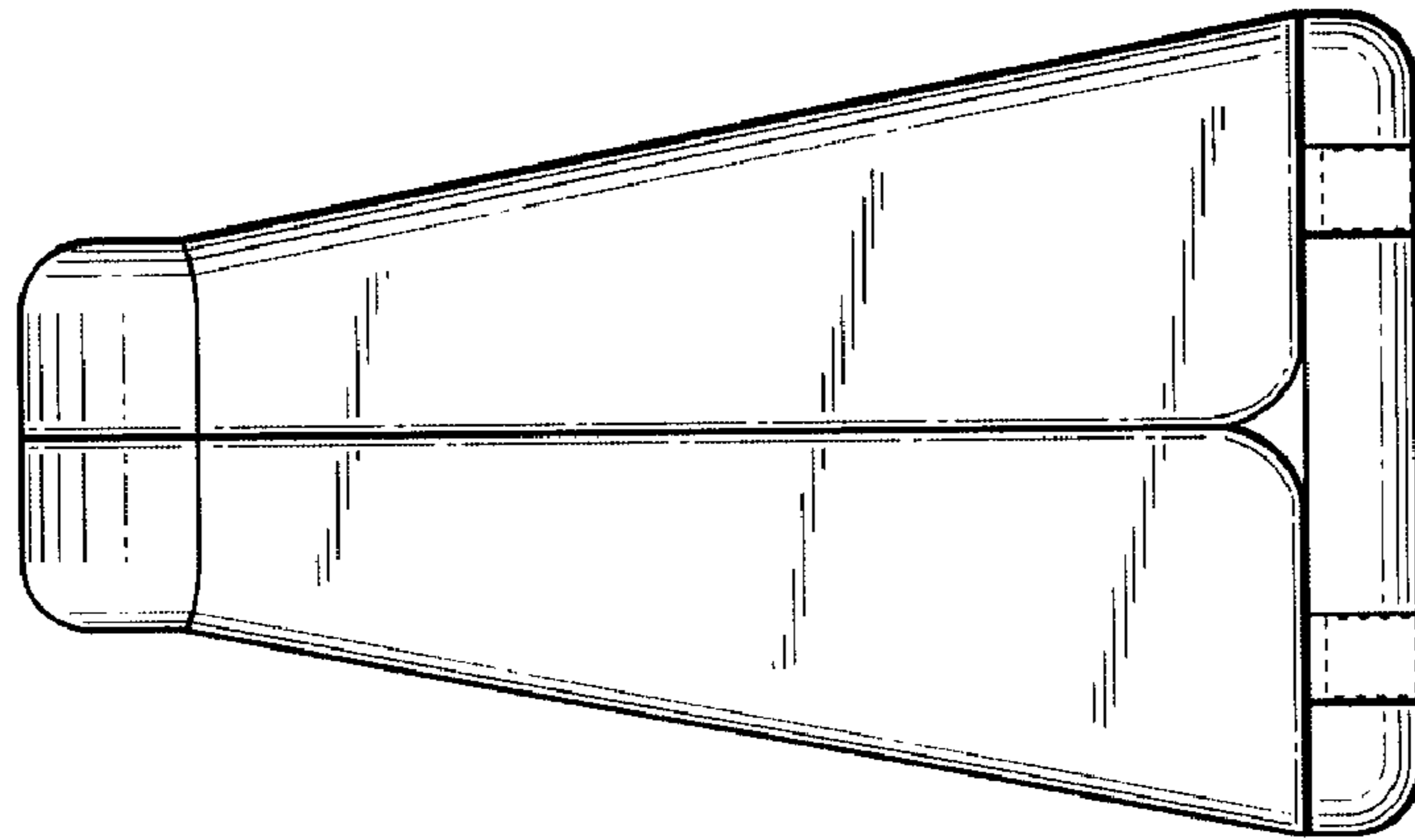


Fig. 4

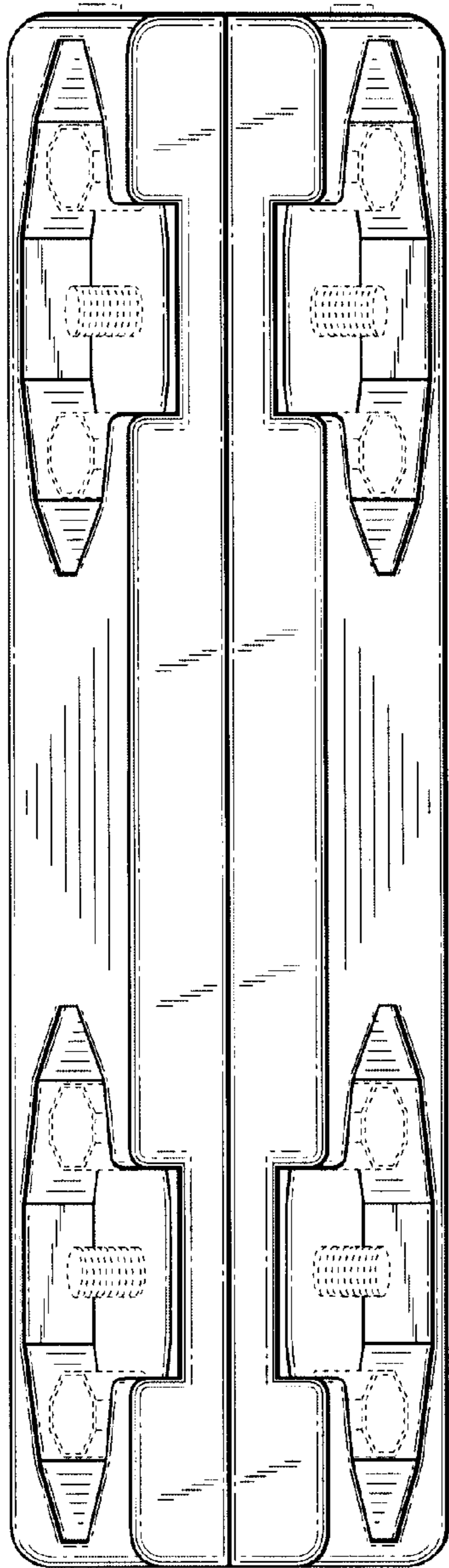


Fig. 6

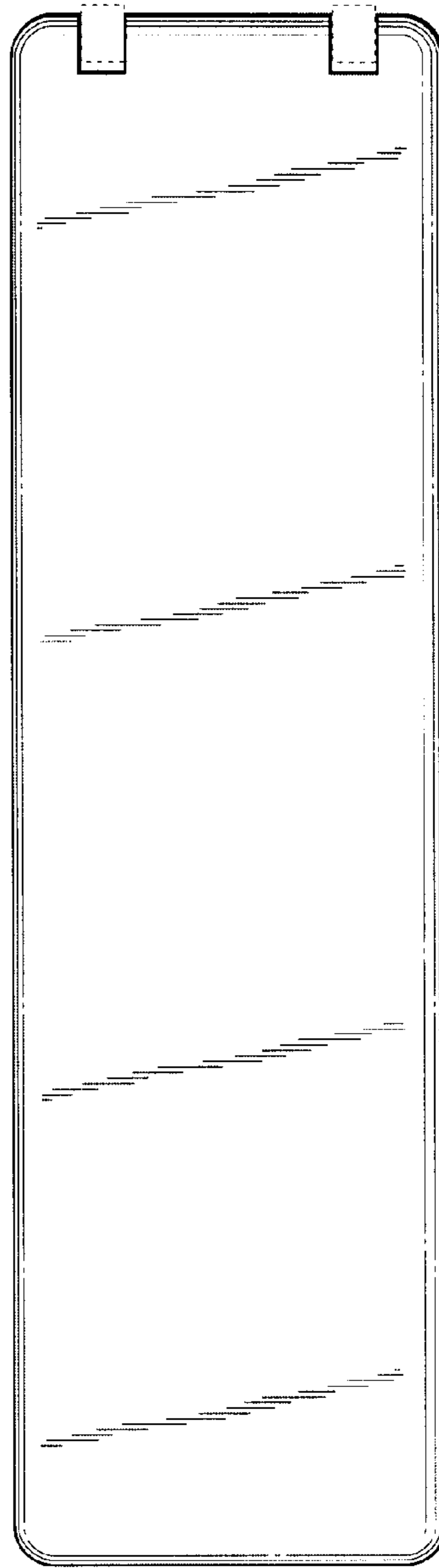


Fig. 7