



US00D564729S

(12) **United States Design Patent**
Fisher

(10) **Patent No.:** **US D564,729 S**

(45) **Date of Patent:** **** Mar. 25, 2008**

(54) **COOKER RAIL**

(75) Inventor: **David Fisher**, Middlesex (GB)

(73) Assignee: **Lincat Group plc**, Lincoln (GB)

(**) Term: **14 Years**

(21) Appl. No.: **29/263,448**

(22) Filed: **Jul. 20, 2006**

(30) **Foreign Application Priority Data**

Jan. 20, 2006 (EM) 469556/0001-0006

(51) **LOC (8) Cl.** **07-02**

(52) **U.S. Cl.** **D2/402**; D8/315

(58) **Field of Classification Search** D8/300-303,
D8/305, 307, 308, 310-312, 315-321, DIG. 1,
D8/DIG. 2; D7/393, 394, 402-406, 339-341,
D7/346-351; 126/25 R, 41 R, 37 R, 38 R,
126/9 R, 9 B, 50, 39 R, 39 B, 19 R, 273 A;
16/11 R, 436, 111 R, DIG. 19, DIG. 30,
16/DIG. 5, 110.1, 402, 114.1, 412-420, 443-446,
16/DIG. 41; 190/115

See application file for complete search history.

(56) **References Cited**

U.S. PATENT DOCUMENTS

D152,597 S * 2/1949 Covey D8/313
D160,776 S * 11/1950 Desguin et al. D7/340
2,731,662 A * 1/1956 Mills 16/412
4,638,529 A * 1/1987 Katona 16/436

D370,166 S * 5/1996 Decursu et al. D8/319
D388,685 S * 1/1998 Schlereth D8/319
D449,215 S * 10/2001 Bertani D8/316
6,546,597 B2 * 4/2003 Atalla et al. 16/436
D488,699 S * 4/2004 Jackovin D8/316
D495,556 S * 9/2004 Milrud et al. D7/405
2003/0056334 A1 * 3/2003 Finkelstein 16/436
2006/0032023 A1 * 2/2006 Moon 16/436

* cited by examiner

Primary Examiner—Stella M. Reid

Assistant Examiner—Mark Goodwin

(74) *Attorney, Agent, or Firm*—Christie, Parker & Hale, LLP

(57) **CLAIM**

The ornamental design for cooker rail, as shown and described.

DESCRIPTION

FIG. 1 is a left side perspective view of a cooker rail;

FIG. 2 is an enlarged left side perspective view thereof;

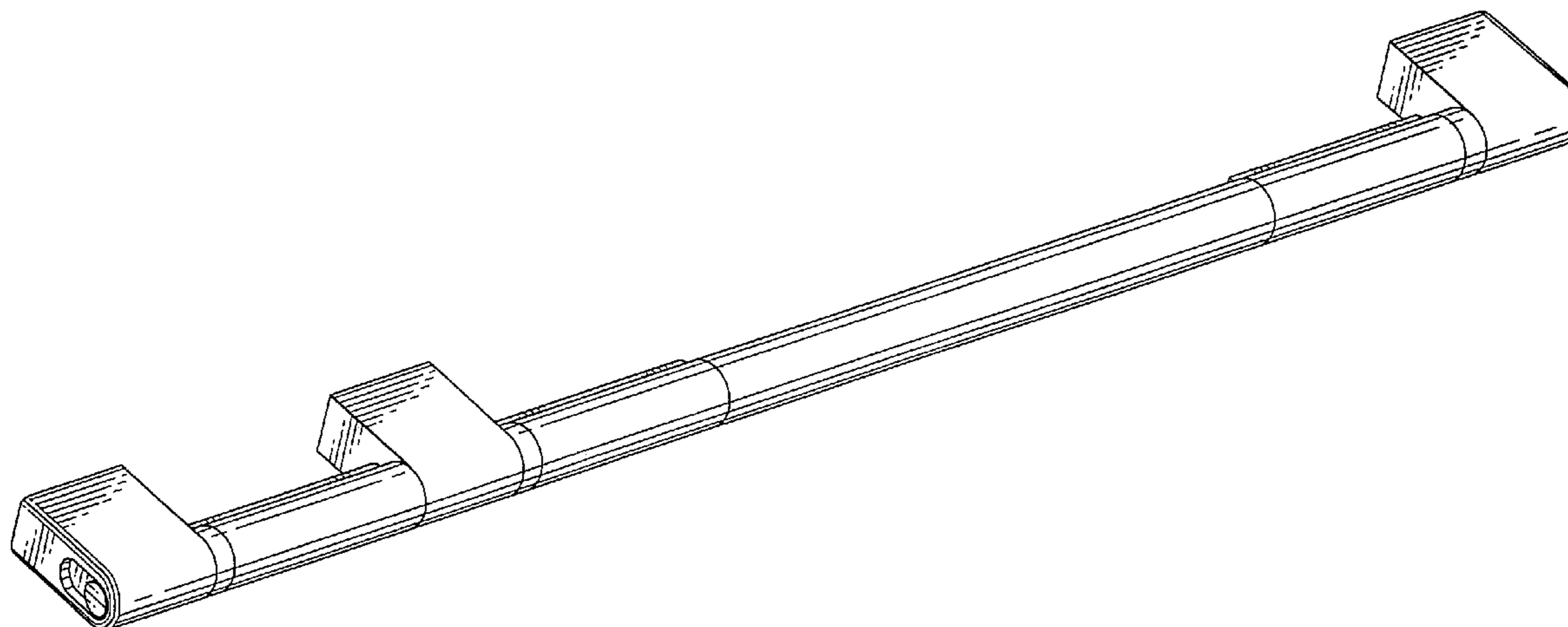
FIG. 3 is an enlarged top plan view thereof;

FIG. 4 is an enlarged front view thereof; and,

FIG. 5 is an enlarged end view thereof, the opposite end being the same.

Dashed lines are used in FIG. 1 to depict a cooker on which the cooker rail is used but which the cooker does not form part of the invention.

1 Claim, 2 Drawing Sheets



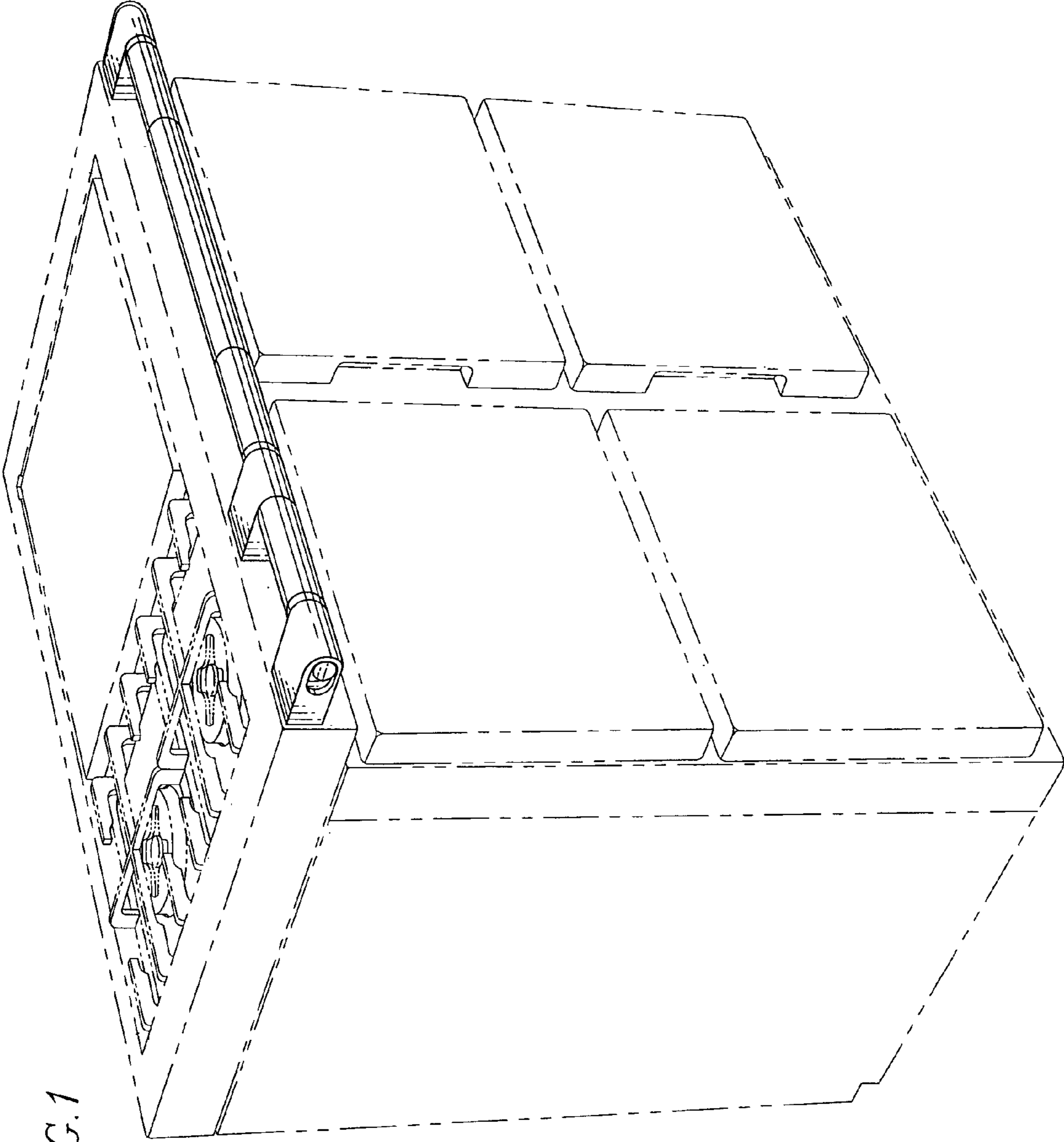


FIG. 1

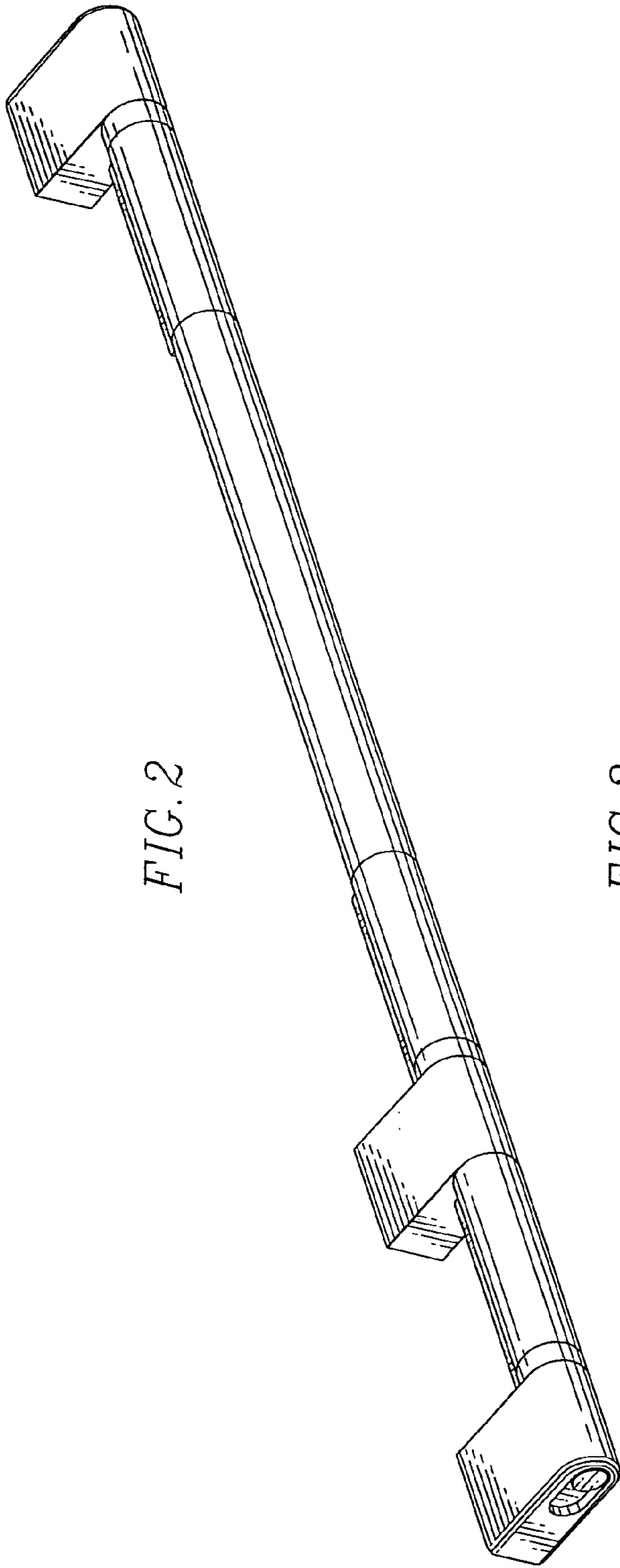


FIG. 2

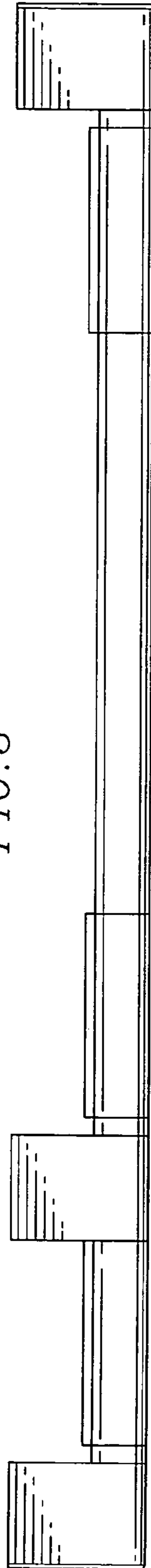


FIG. 3



FIG. 4

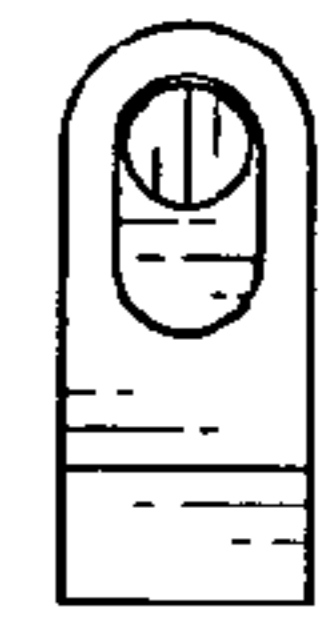


FIG. 5