



US00D564725S

(12) **United States Design Patent**
Caswell

(10) **Patent No.:** **US D564,725 S**

(45) **Date of Patent:** **** Mar. 18, 2008**

(54) **JACK**

D453,983 S * 2/2002 Lin D34/31
D538,502 S * 3/2007 Hernandez D34/31

(75) Inventor: **John Charles Caswell**, Lake Zurich, IL
(US)

* cited by examiner

(73) Assignee: **MVP (HK) Industries, Ltd.**, Hong
Kong (HK)

Primary Examiner—Cynthia E Ramirez
(74) *Attorney, Agent, or Firm*—Polsinelli Shalton Flanigan
Suelthaus PC

(**) Term: **14 Years**

(57) **CLAIM**

(21) Appl. No.: **29/278,627**

The ornamental design for a jack, as shown.

(22) Filed: **Apr. 4, 2007**

DESCRIPTION

(51) **LOC (8) Cl.** **12-05**

FIG. 1 is a front perspective view of the jack;

(52) **U.S. Cl.** **D34/31**

FIG. 2 is a right-side view of the jack;

(58) **Field of Classification Search** D34/31;
254/8 B, 9 B, 84, 11, 93 H, 2 B, 88, DIG. 3
See application file for complete search history.

FIG. 3 is a left-side view of the jack;

FIG. 4 is a rear view of the jack;

FIG. 5 is a front view of the jack;

FIG. 6 is a top view of the jack; and,

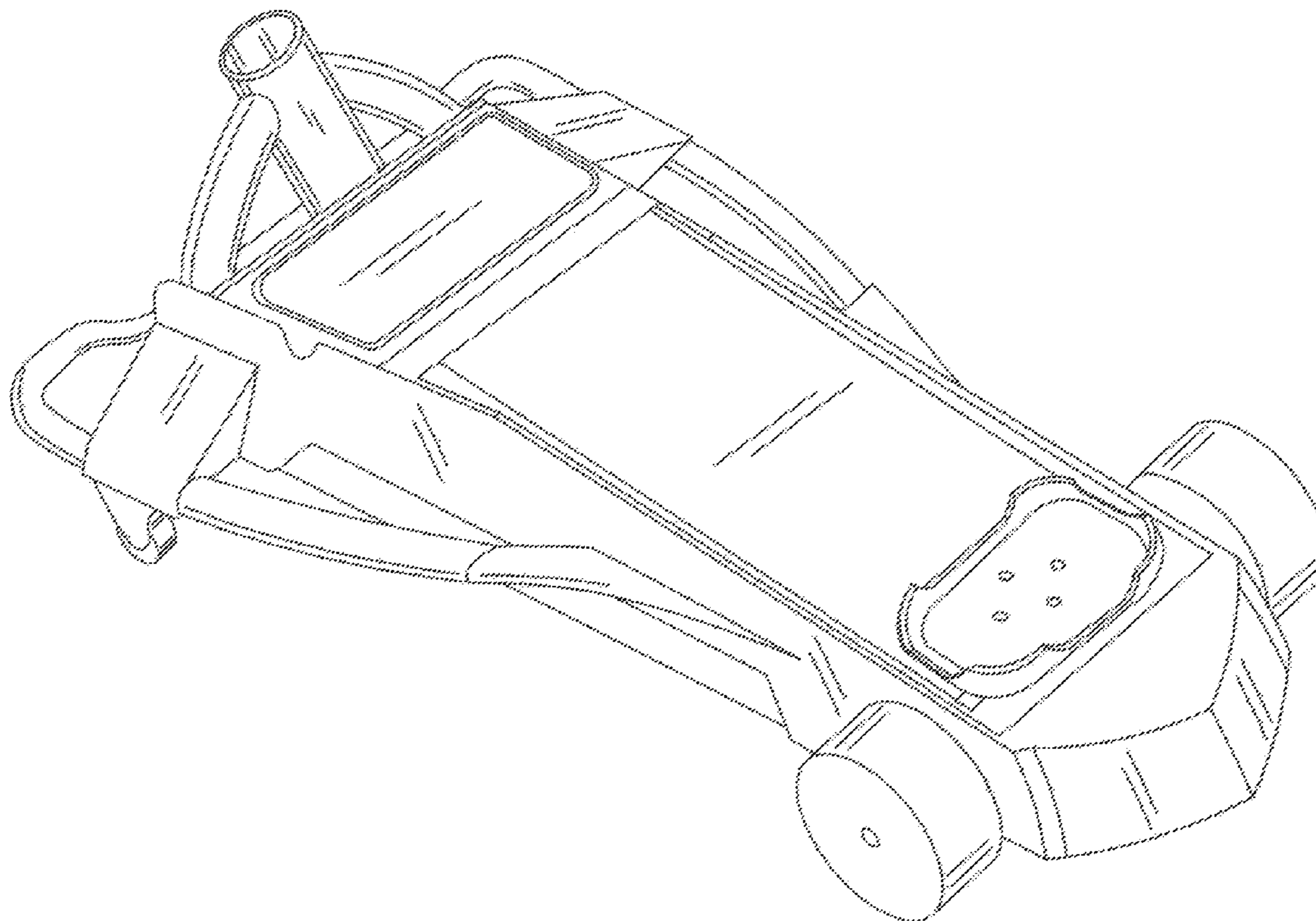
FIG. 7 is a bottom view of the jack.

(56) **References Cited**

U.S. PATENT DOCUMENTS

5,201,494 A * 4/1993 Lundman 254/8 B
D388,926 S * 1/1998 Sorensen D34/31

1 Claim, 7 Drawing Sheets



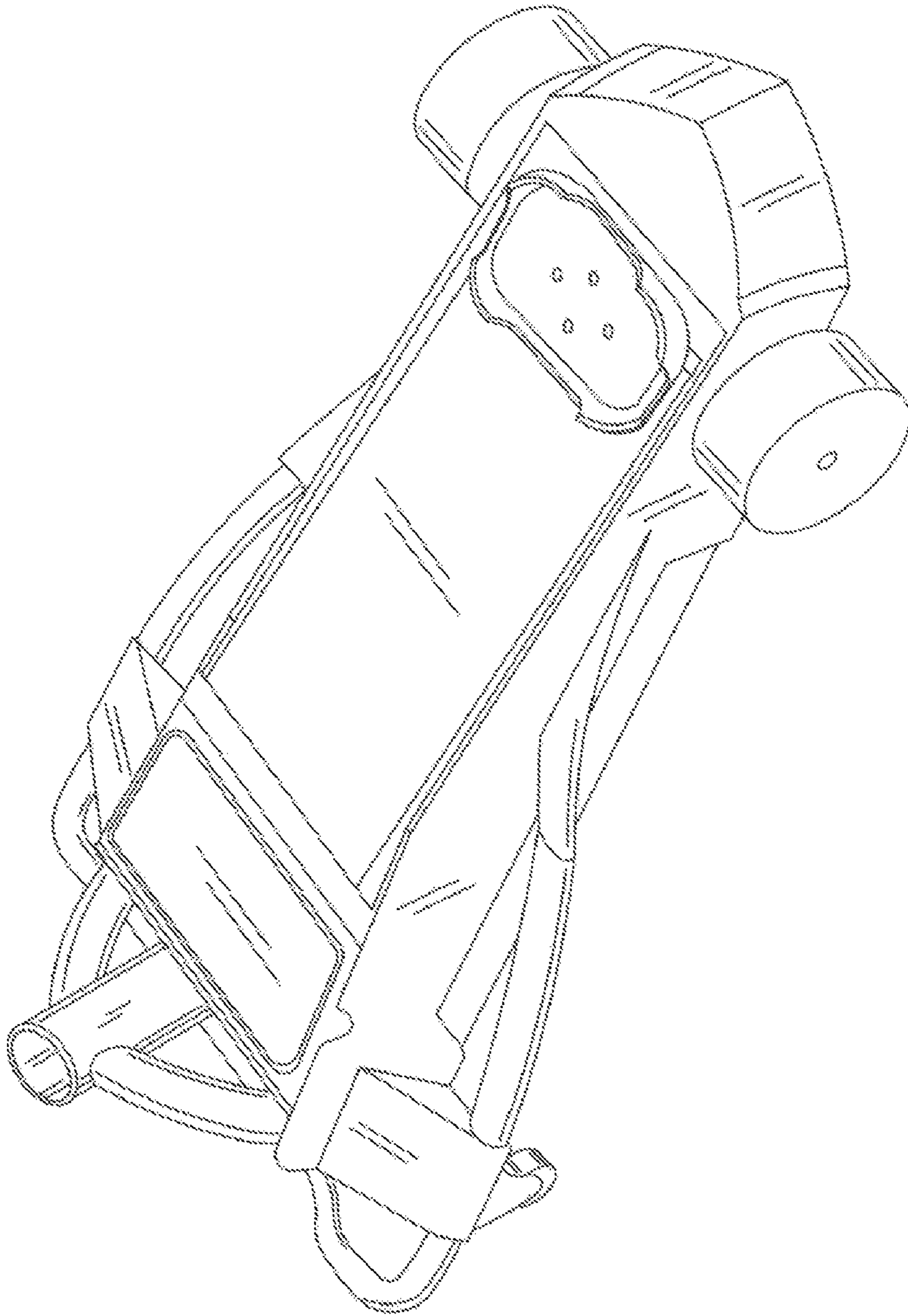


FIG 1

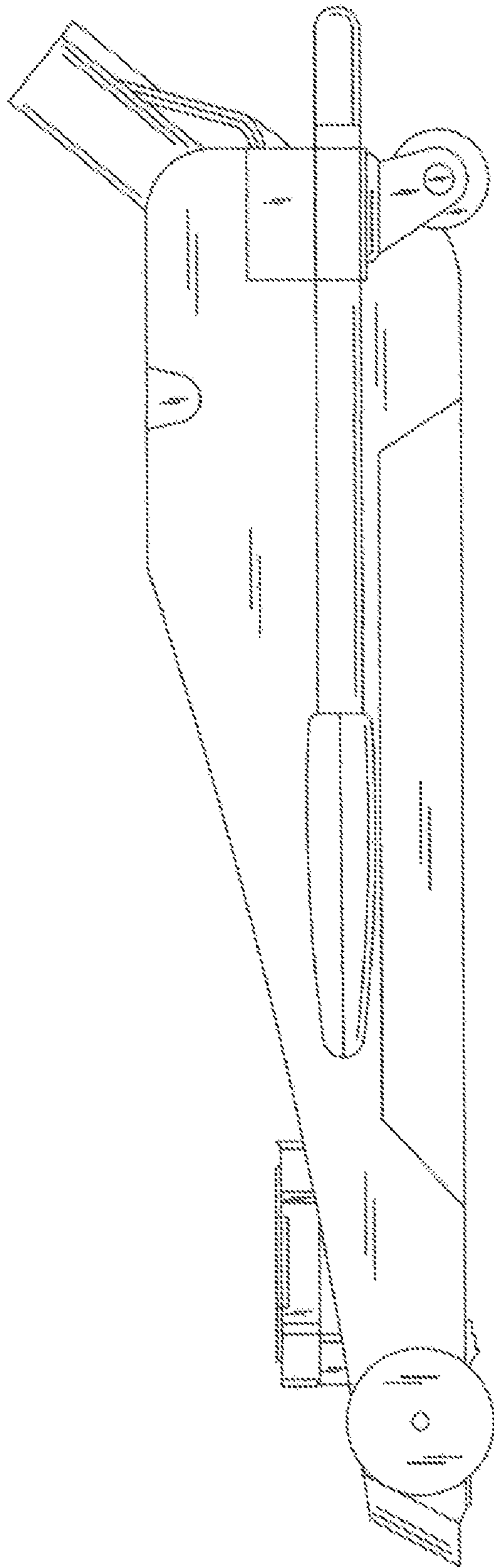


FIG 2

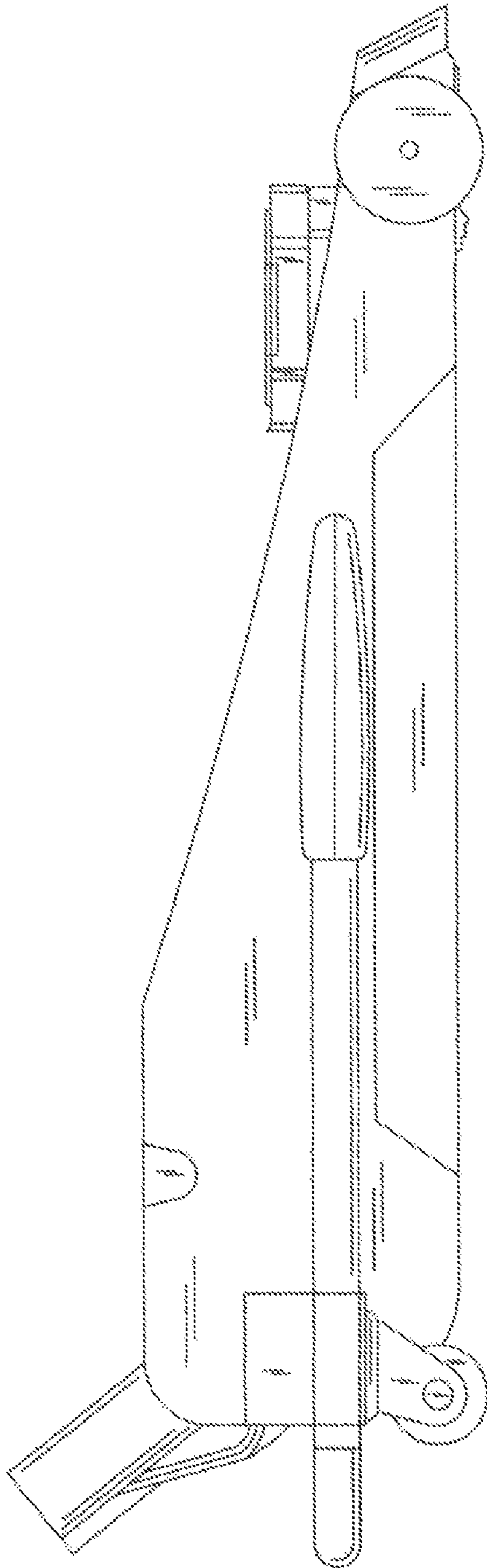


FIG 3

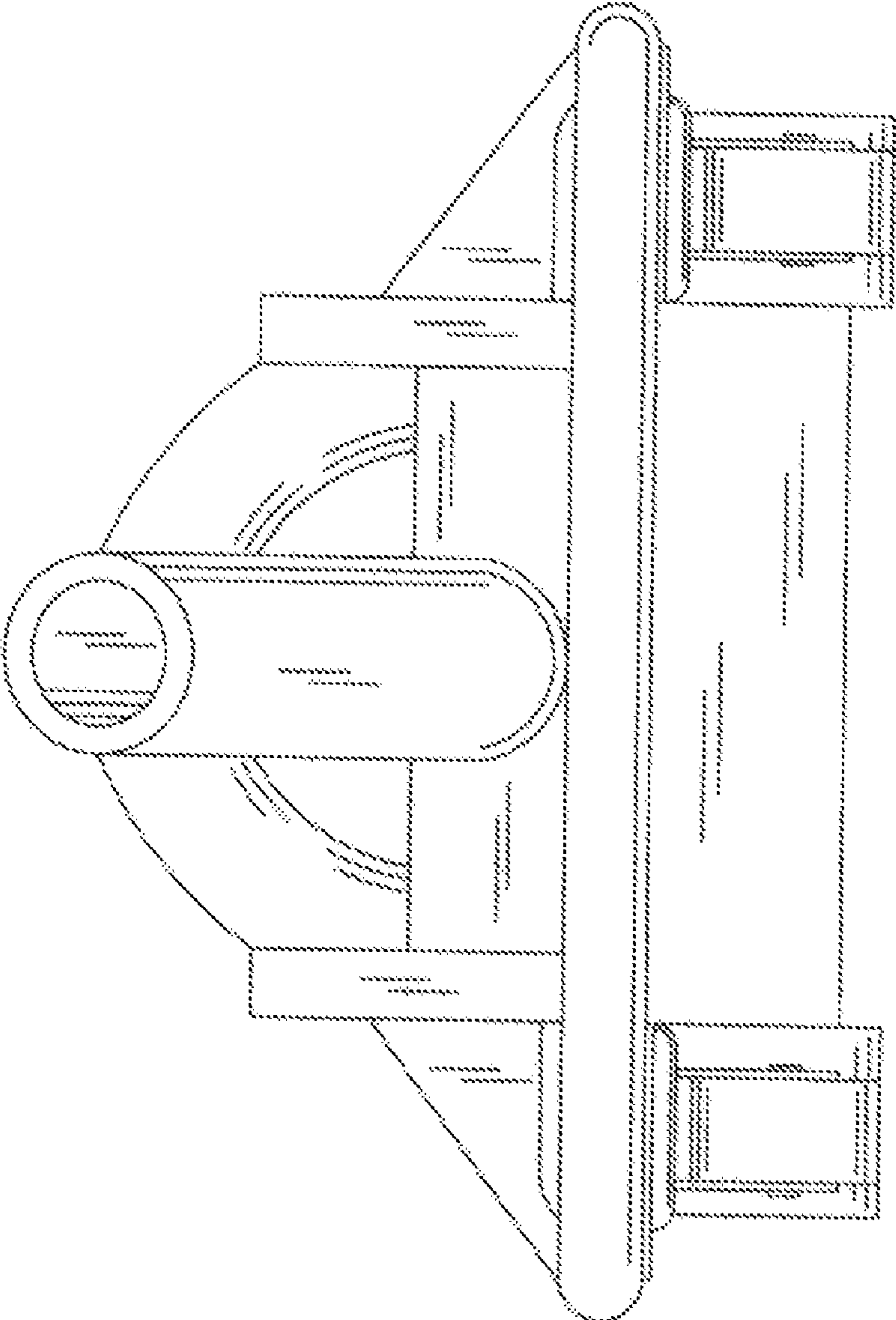


FIG 4

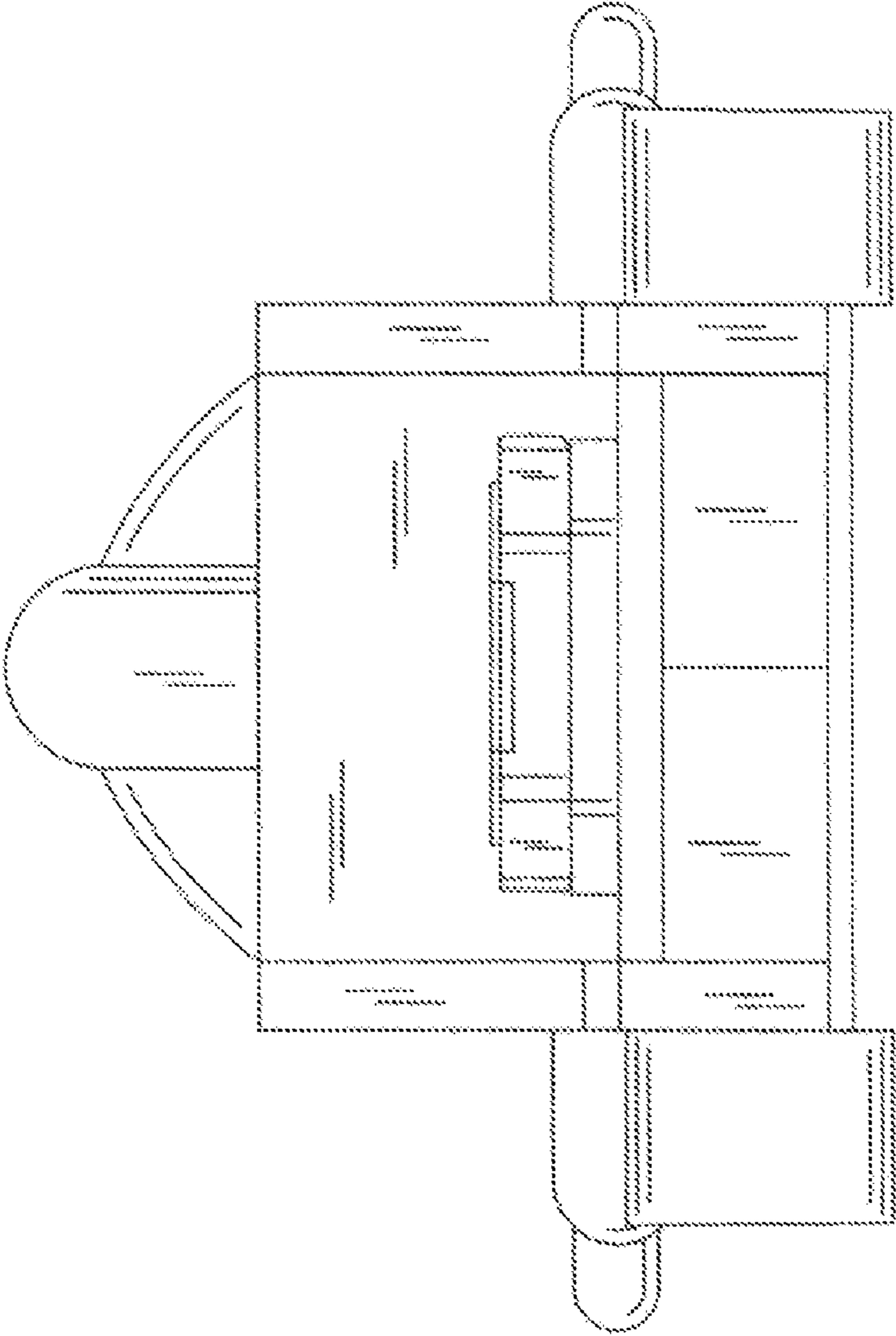


FIG 5

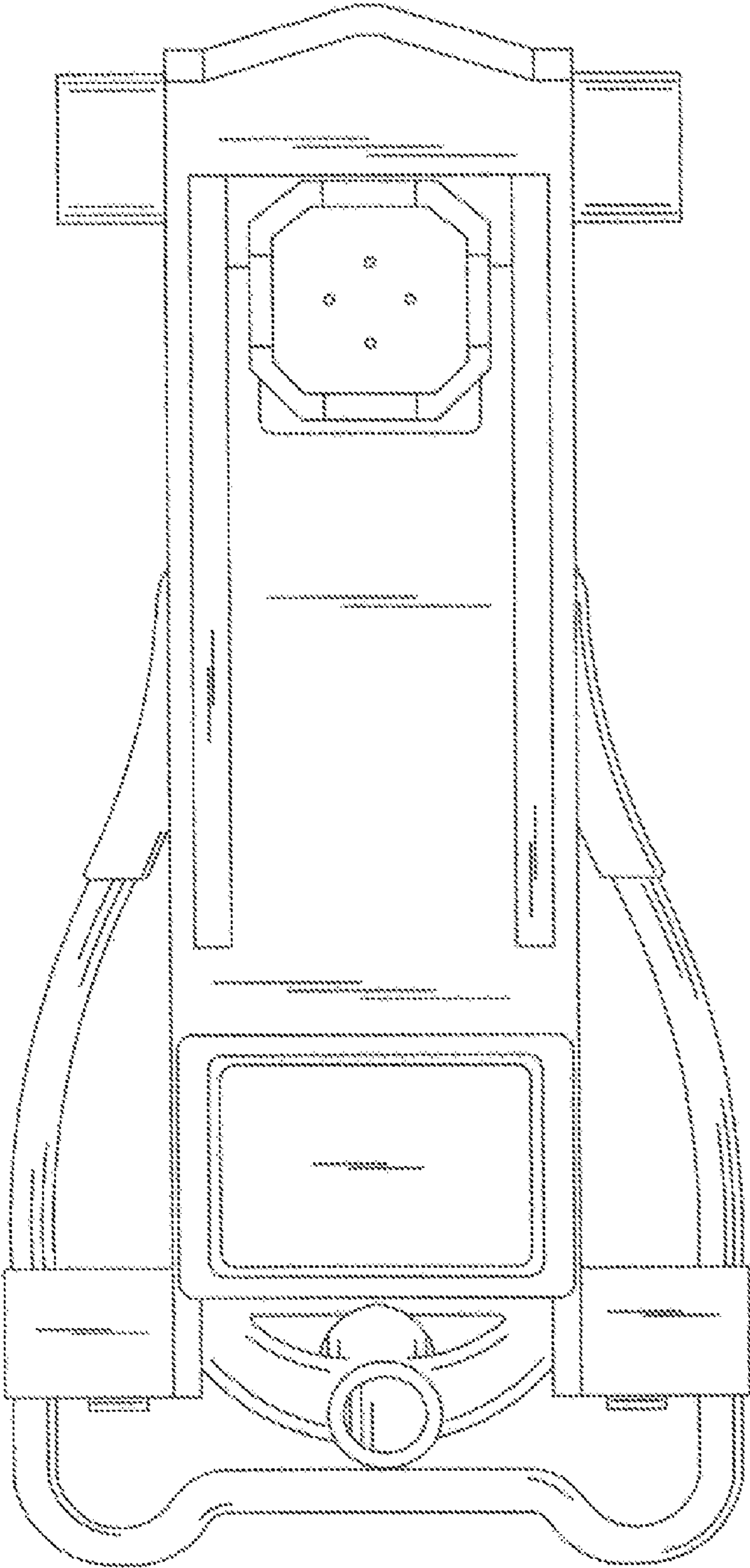


FIG 6

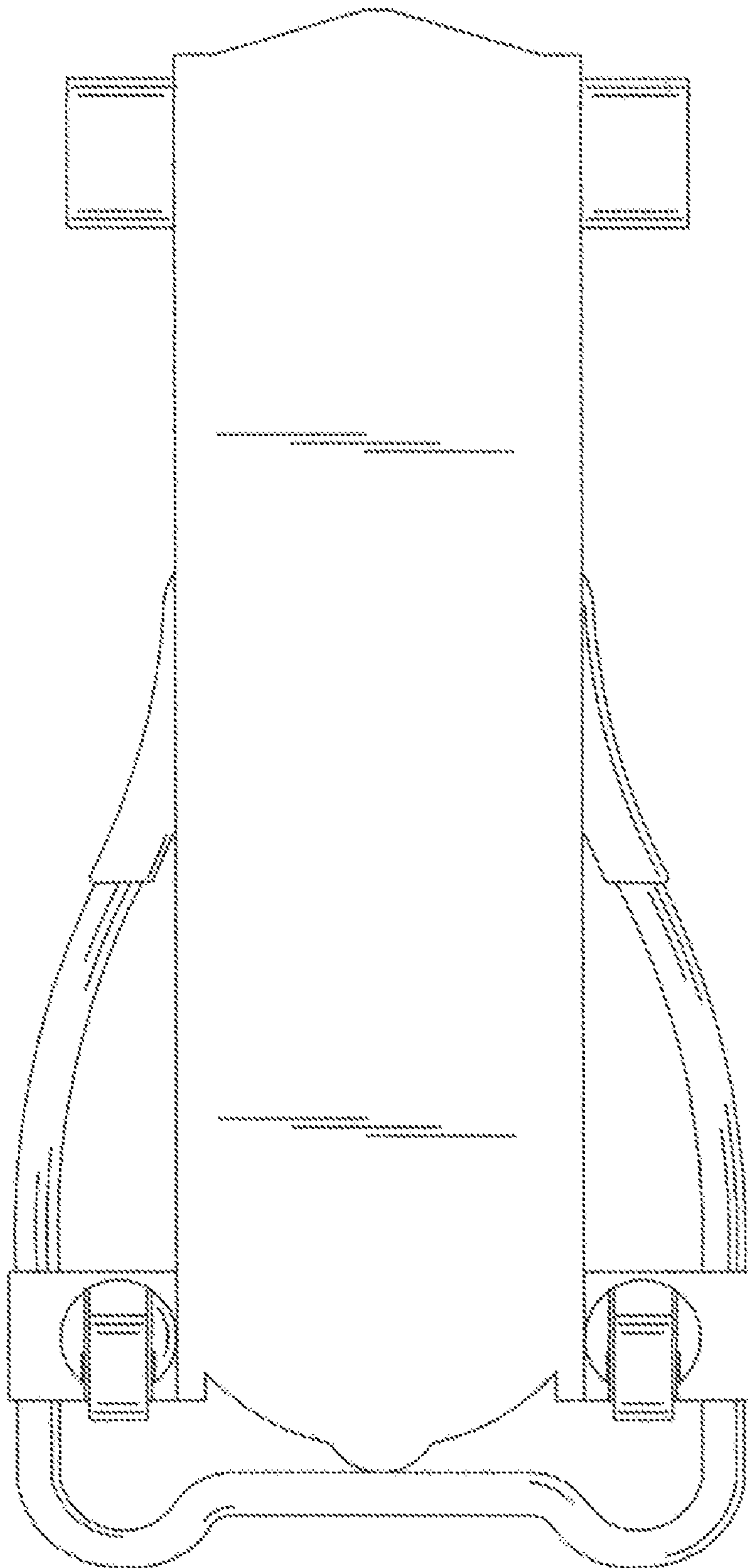


FIG 7