



US00D564724S

(12) **United States Design Patent**  
**Dethier**

(10) **Patent No.:** **US D564,724 S**  
(45) **Date of Patent:** **\*\* Mar. 18, 2008**

(54) **CART**

(76) Inventor: **Livin Fernand Georges Dethier**,  
Leemkuilstraat 144, 3570, Alken (BE)

(\*\*) Term: **14 Years**

(21) Appl. No.: **29/272,161**

(22) Filed: **Feb. 2, 2007**

(30) **Foreign Application Priority Data**

Aug. 4, 2006 (BX) ..... 782061-01/02

(51) **LOC (8) Cl.** ..... **12-02**

(52) **U.S. Cl.** ..... **D34/24**

(58) **Field of Classification Search** ..... D34/12-27;  
280/47.26, 47.24, 47.27; 414/448  
See application file for complete search history.

(56) **References Cited**

**U.S. PATENT DOCUMENTS**

- D165,516 S \* 12/1951 Eging ..... D34/26
- 4,050,708 A \* 9/1977 Samardzija et al. .... 280/47.26
- D285,871 S \* 9/1986 Stenwall ..... D6/336
- D298,074 S \* 10/1988 Cannon et al. .... D34/12
- 4,974,871 A \* 12/1990 Mao ..... 280/651

- D335,738 S \* 5/1993 Tsai ..... D34/26
- D345,842 S \* 4/1994 Sloan et al. .... D34/26
- D450,168 S \* 11/2001 Liao ..... D34/15
- D485,038 S \* 1/2004 Zimmer ..... D34/24
- D522,708 S \* 6/2006 Chang ..... D34/24

\* cited by examiner

*Primary Examiner*—Cynthia E Ramirez  
(74) *Attorney, Agent, or Firm*—Bacon & Thomas, PLLC

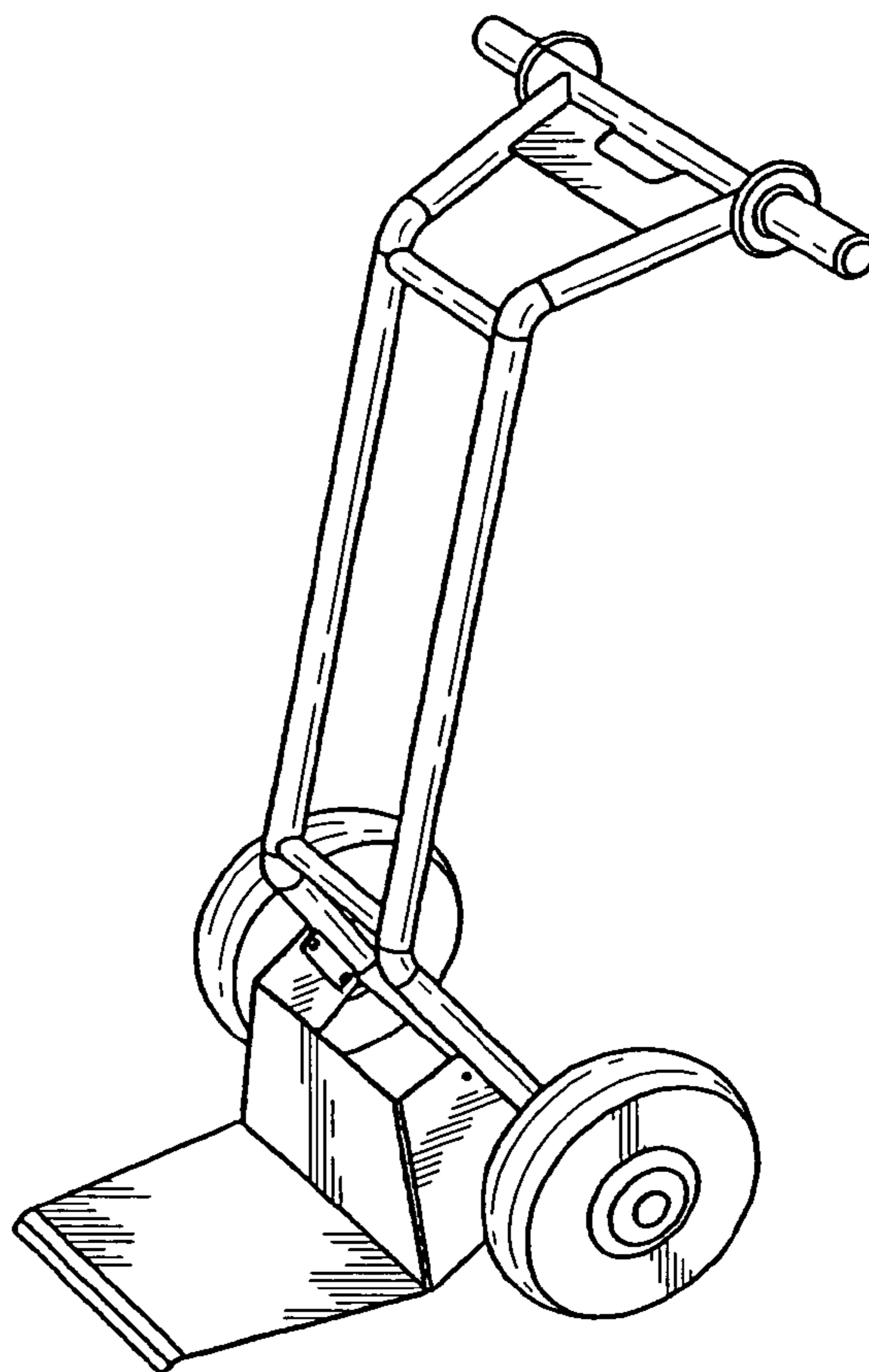
(57) **CLAIM**

The ornamental design for a cart, as shown and described.

**DESCRIPTION**

FIG. 1 is an upper left perspective view of my design for a cart;  
 FIG. 2 is a front elevation view thereof;  
 FIG. 3 is a left side view thereof;  
 FIG. 4 is a right side view thereof;  
 FIG. 5 is a rear elevation view thereof;  
 FIG. 6 is a top plan view thereof; and,  
 FIG. 7 is a bottom view thereof.

**1 Claim, 2 Drawing Sheets**



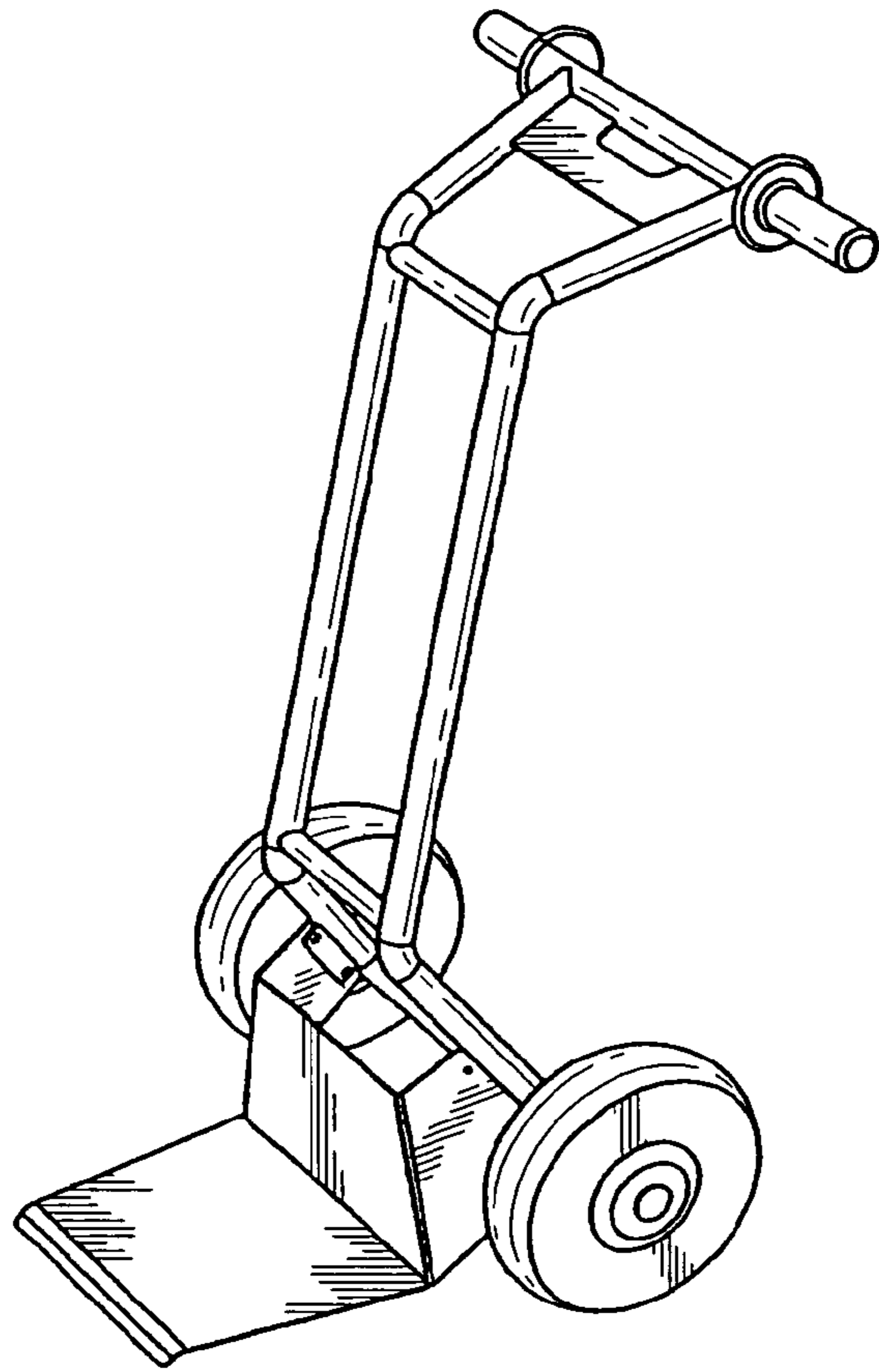


FIG. 1

FIG. 2

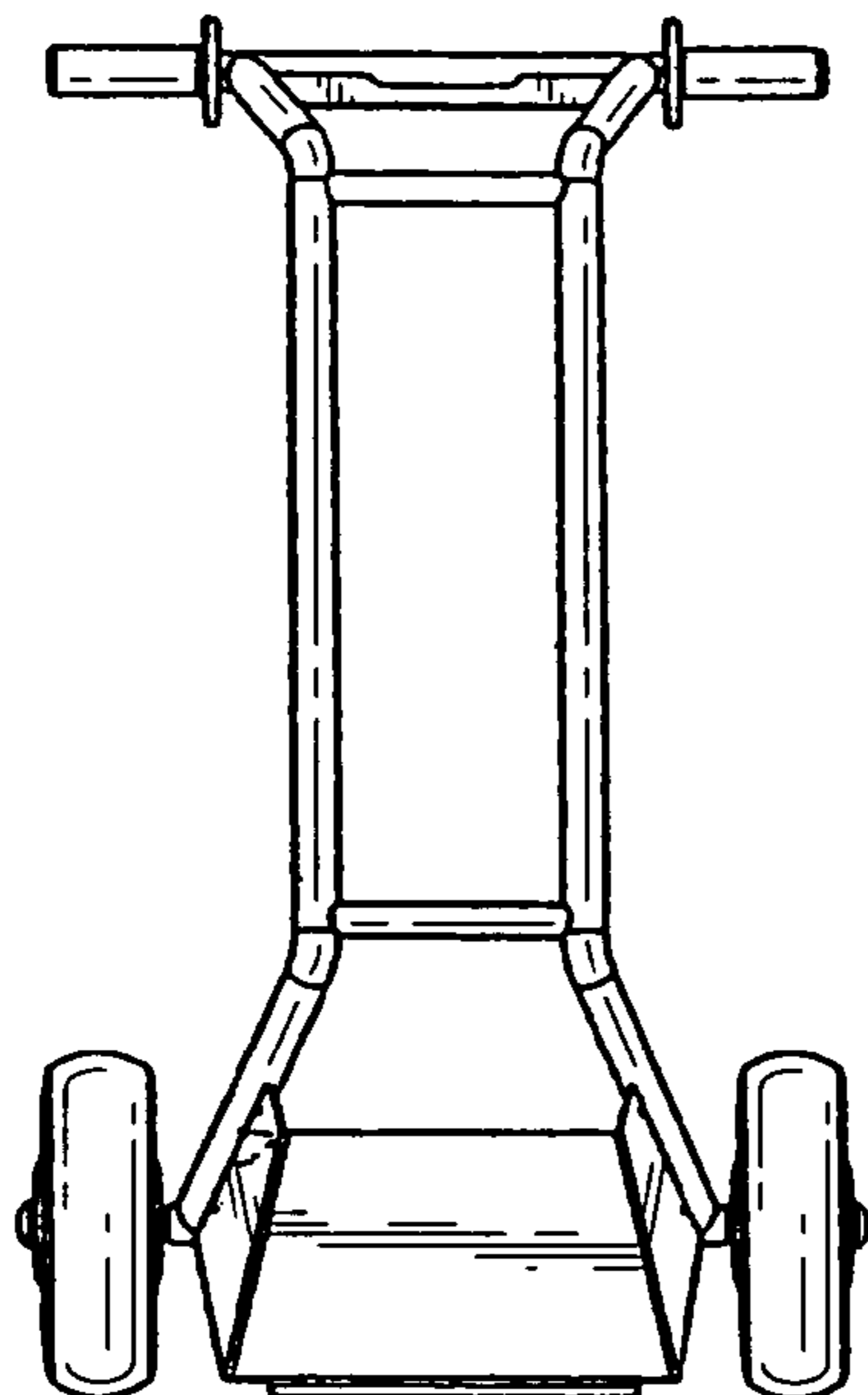
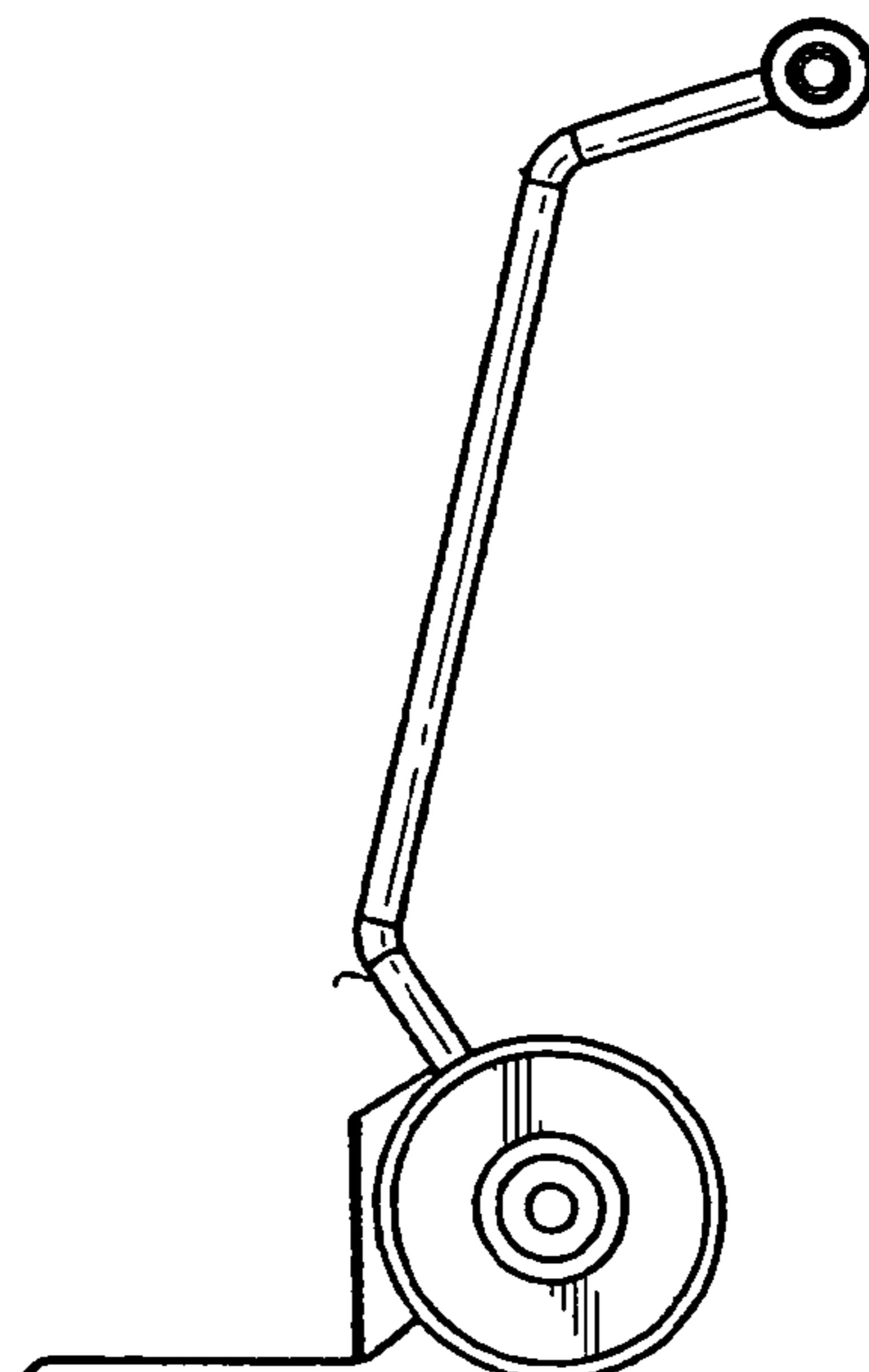


FIG. 3



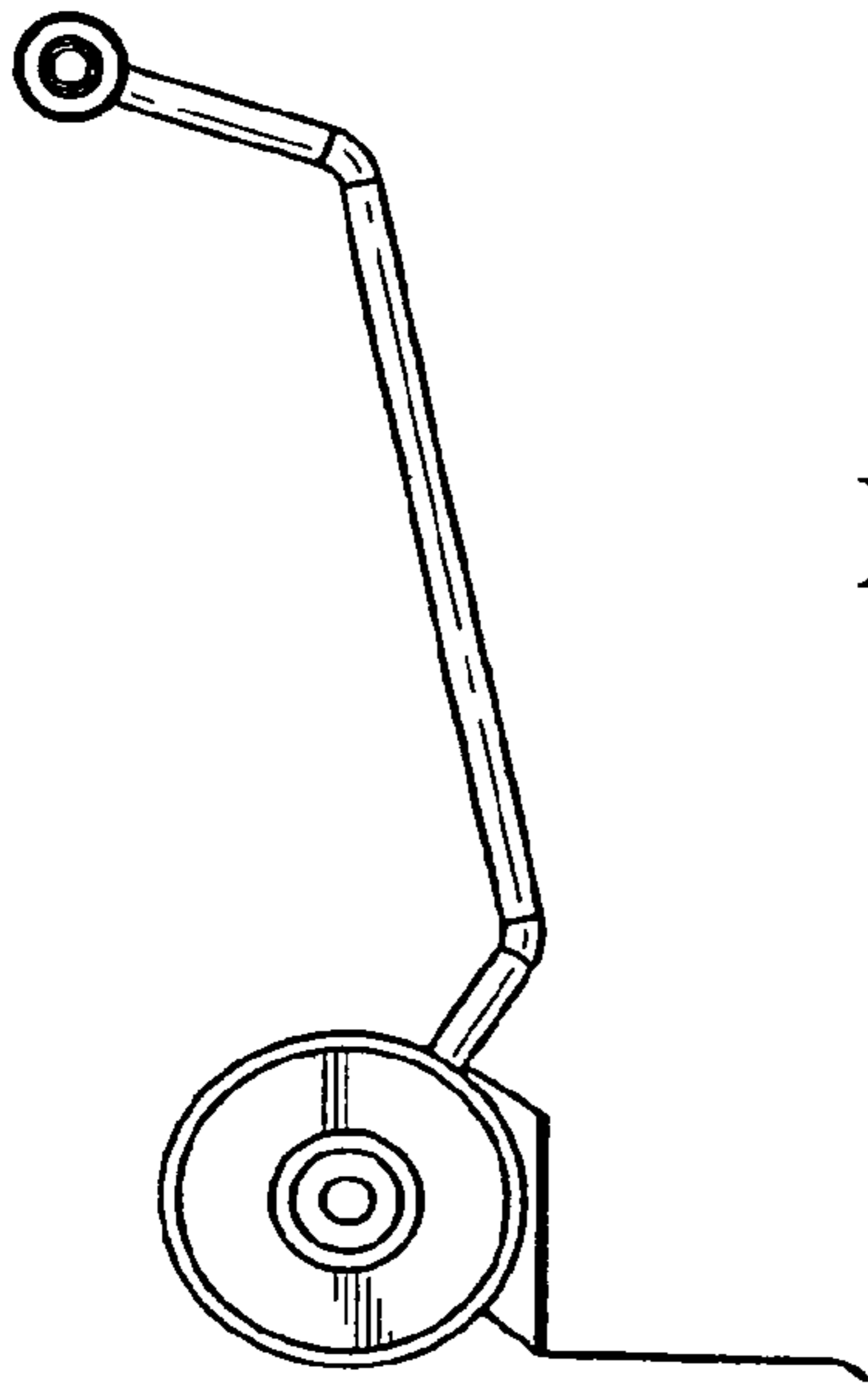


FIG. 4

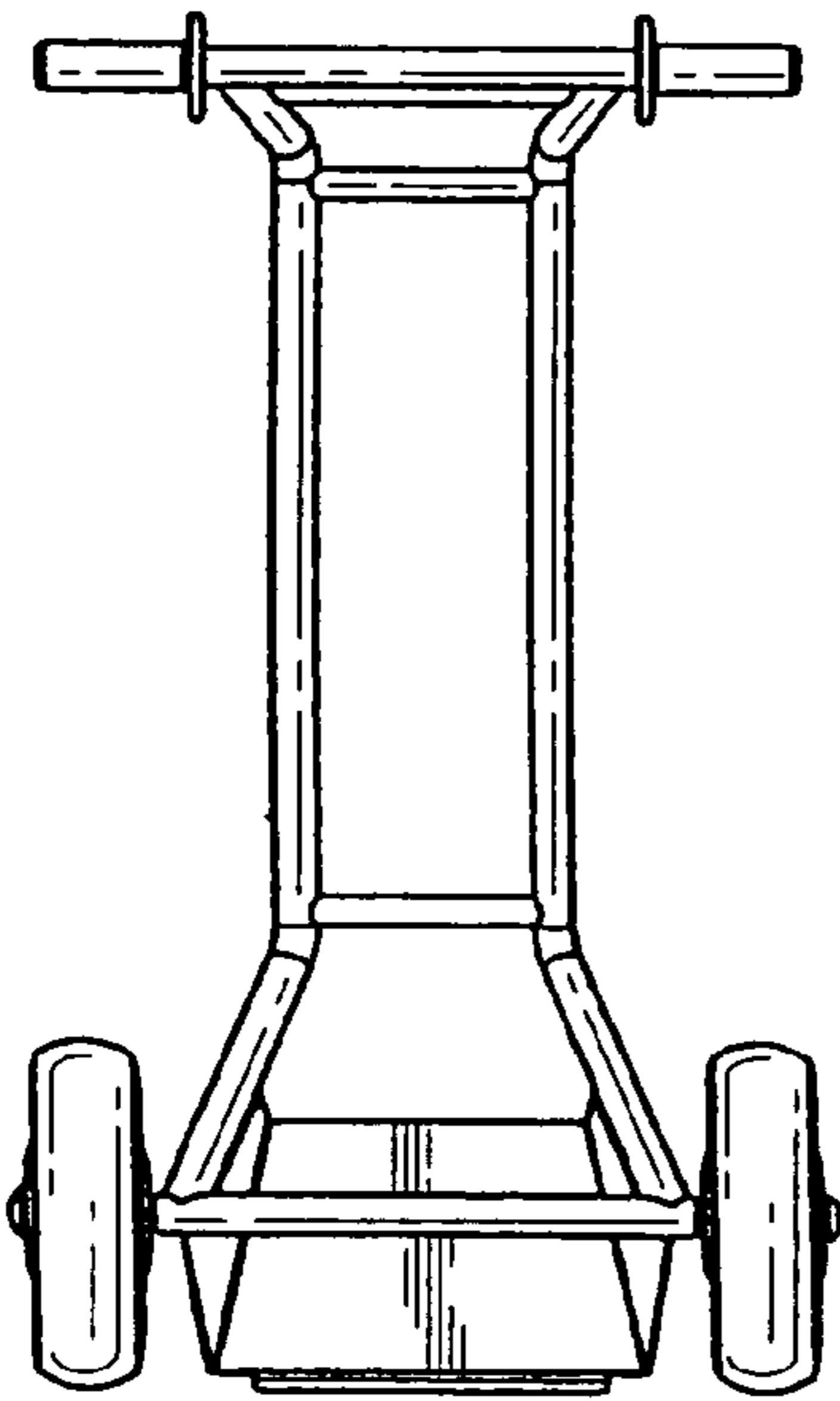


FIG. 5

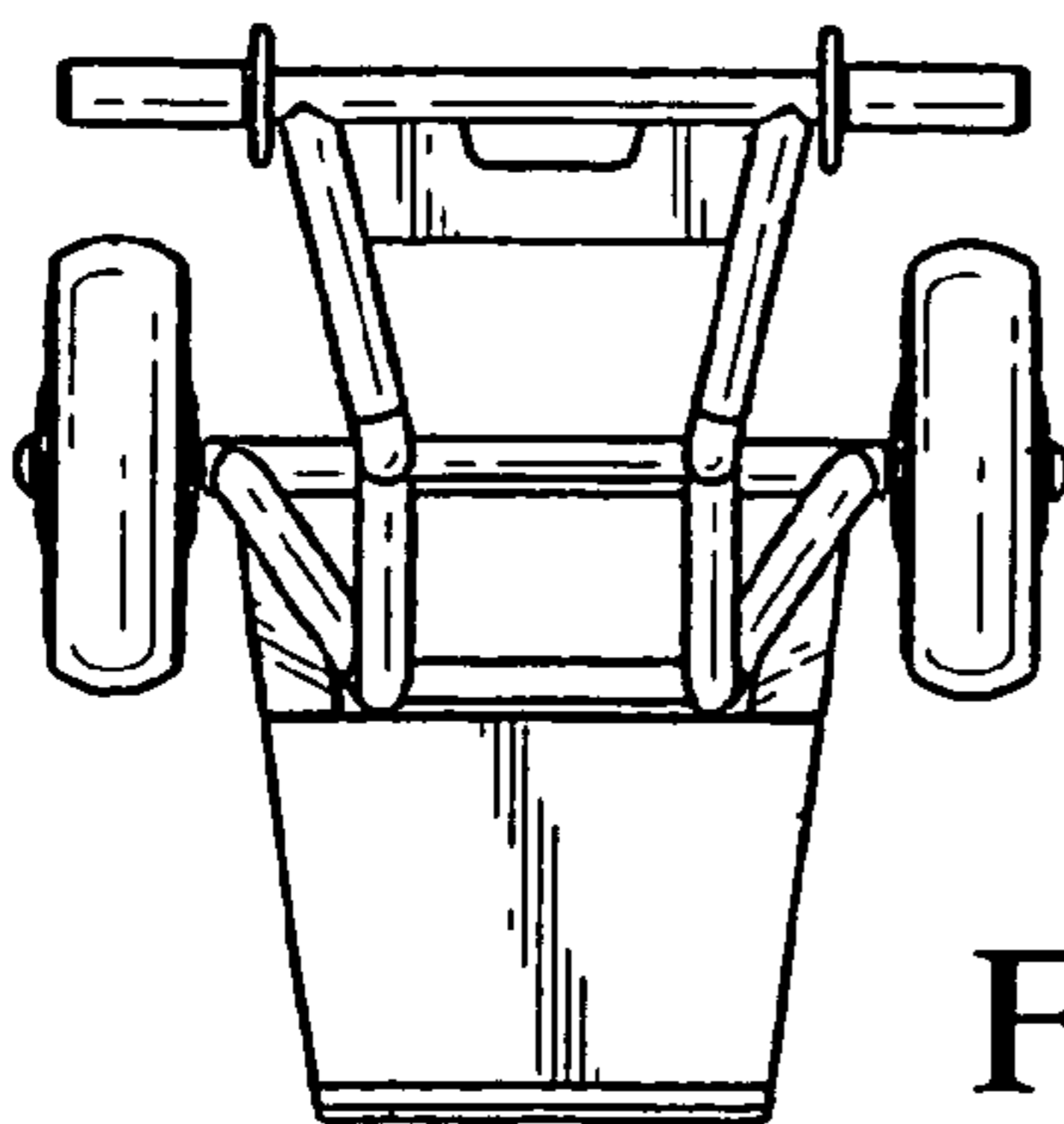


FIG. 6

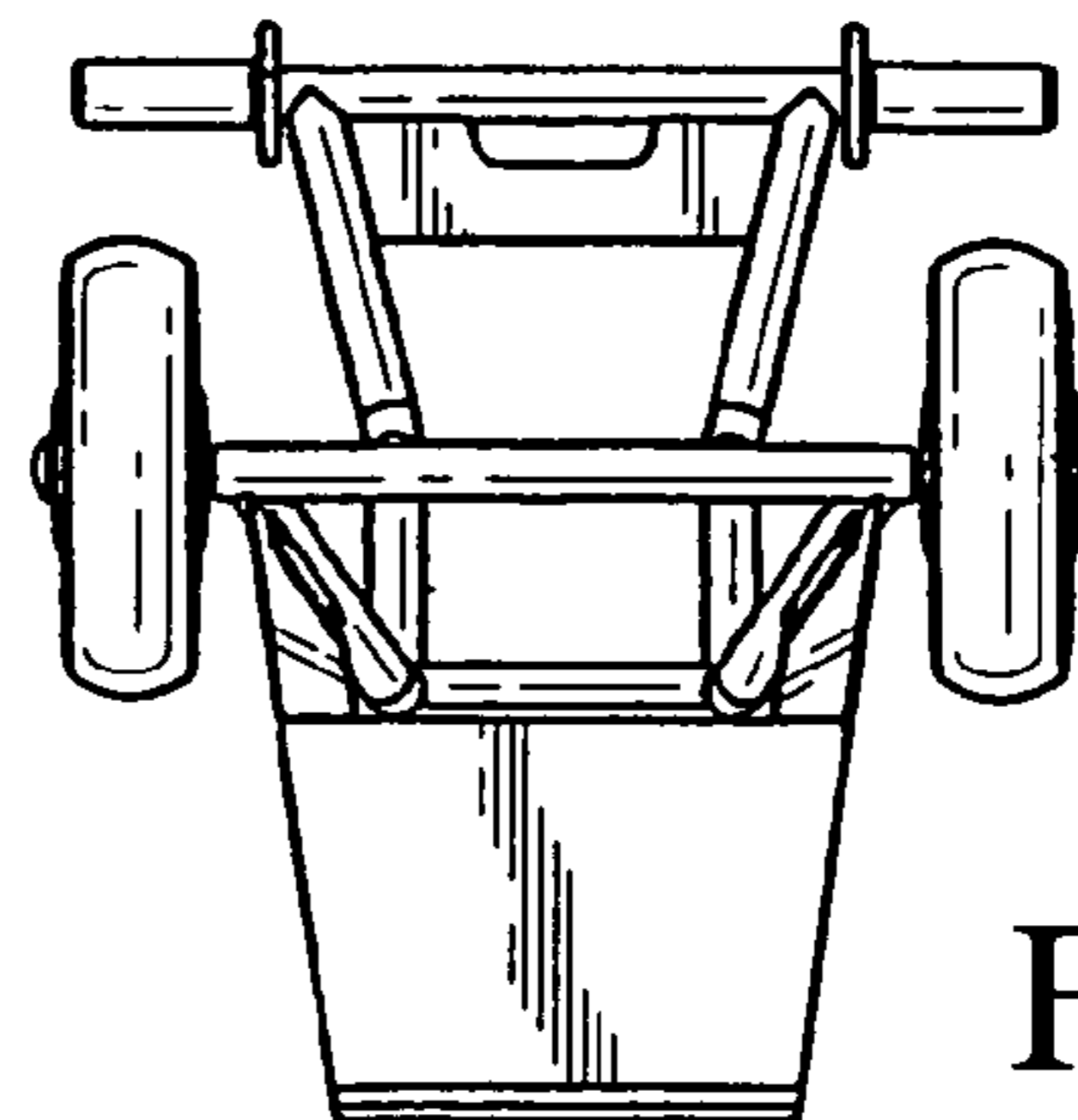


FIG. 7