

US00D564722S

(12) **United States Design Patent**
Hogarth et al.

(10) **Patent No.:** **US D564,722 S**
(45) **Date of Patent:** **** Mar. 18, 2008**

(54) **ANIMAL RESISTANT BIN**

D542,000 S * 5/2007 Miller D34/5

(75) Inventors: **Lori Hogarth**, Canmore (CA); **Richard Coulson**, Brampton (CA)

OTHER PUBLICATIONS

www.globalindustrial.com/gcs/product/... Rubbermaid large Mobile Waster Containers Printed Nov. 10, 2006.
www.trashcandepot.com (search results "rubbermaid" Printed Nov. 11, 2006.

(73) Assignee: **Bear Necessities Waste and Food Storage Inc.**, Canmore (CA)

* cited by examiner

(**) Term: **14 Years**

Primary Examiner—Cynthia E. Ramirez
(74) *Attorney, Agent, or Firm*—Sean W. Goodwin

(21) Appl. No.: **29/276,231**

(22) Filed: **Jan. 19, 2007**

(57) **CLAIM**

(51) **LOC (8) Cl.** **09-09**
(52) **U.S. Cl.** **D34/5**
(58) **Field of Classification Search** D34/1,
D34/5, 6, 7, 8, 9, 10, 11; 220/908-913; 280/47.26
See application file for complete search history.

The ornamental design for an animal resistant bin, as shown and described.

DESCRIPTION

(56) **References Cited**

U.S. PATENT DOCUMENTS

D323,912 S * 2/1992 Delmerico D34/5
5,167,351 A 12/1992 Prout et al.
D355,741 S * 2/1995 Craft et al. D34/5
5,547,104 A * 8/1996 Parker 220/772
D398,120 S * 9/1998 Rehrig et al. D34/5
D445,228 S * 7/2001 Apps et al. D34/5
D462,838 S 9/2002 Van Landingham
D474,317 S 5/2003 Tuduri
D478,197 S * 8/2003 Raghunathan D34/5

FIG. 1 is a left front perspective view showing the waste disposal container;
FIG. 2 is a right back perspective view according to FIG. 1;
FIG. 3 is a front view according to FIG. 1;
FIG. 4 is a back view according to FIG. 1;
FIG. 5 is a left side view according to FIG. 1;
FIG. 6 is a right side view according to FIG. 1;
FIG. 7 is a top view according to FIG. 1; and,
FIG. 8 is a bottom view according to FIG. 1.

1 Claim, 8 Drawing Sheets

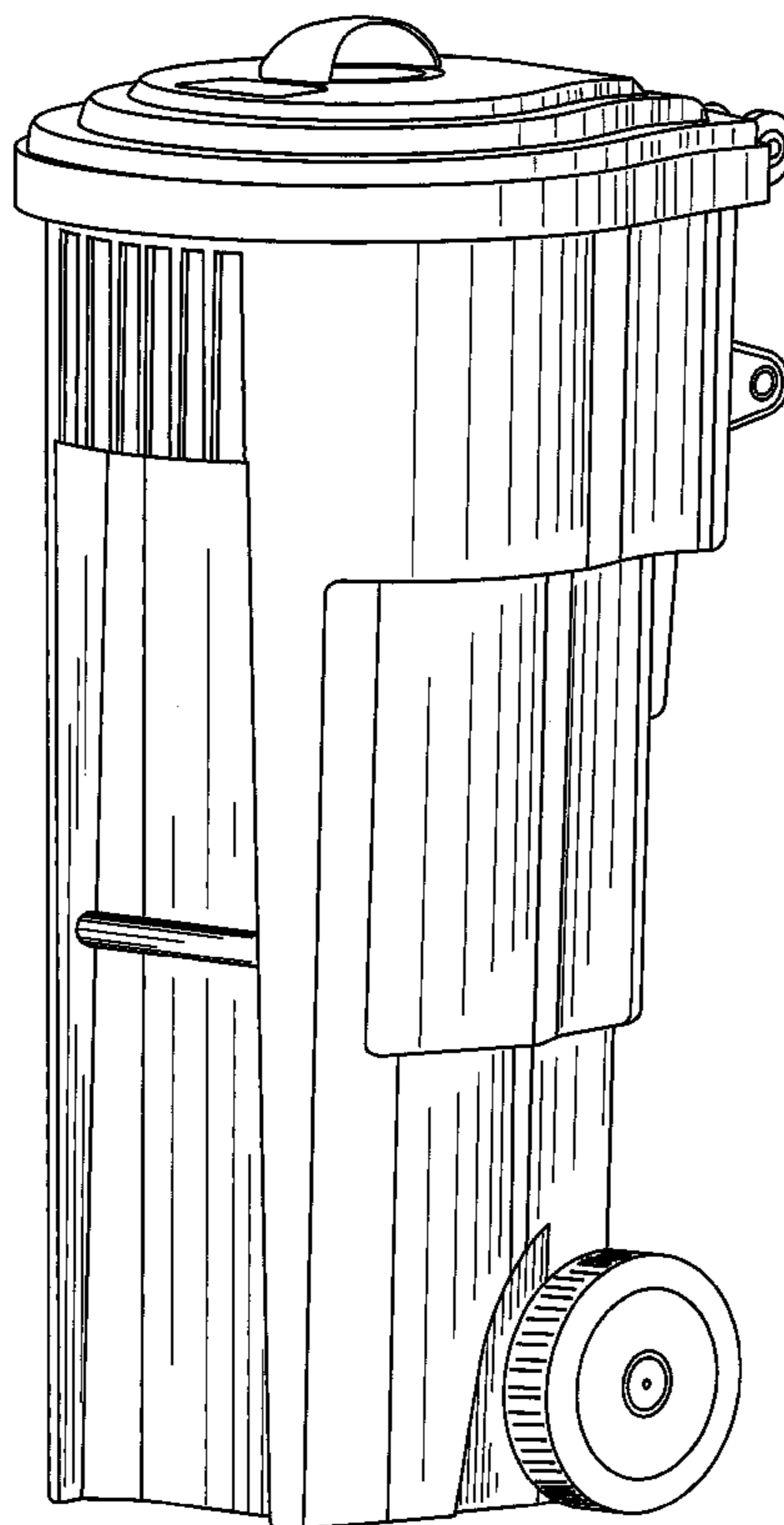


Fig. 1

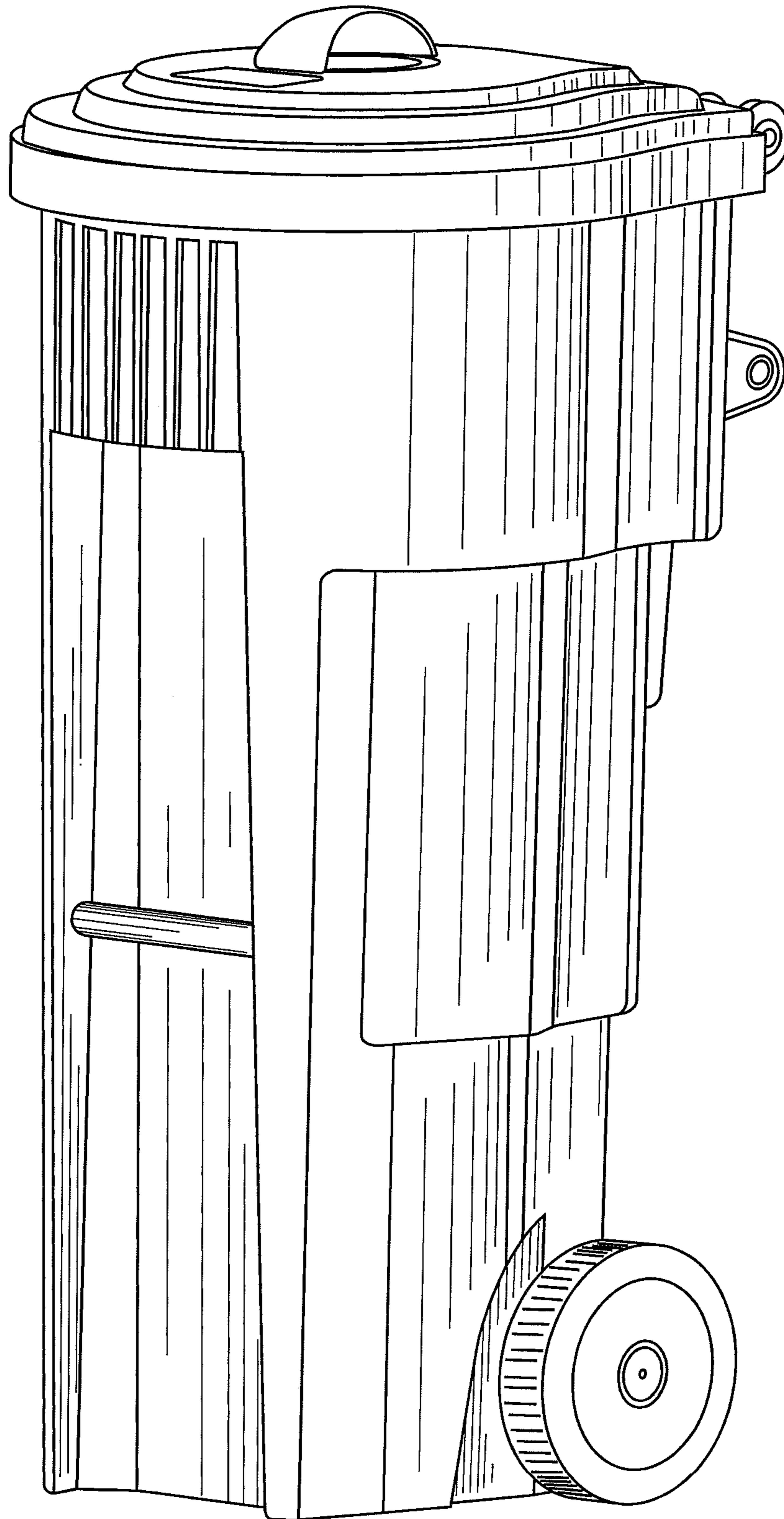


Fig. 2

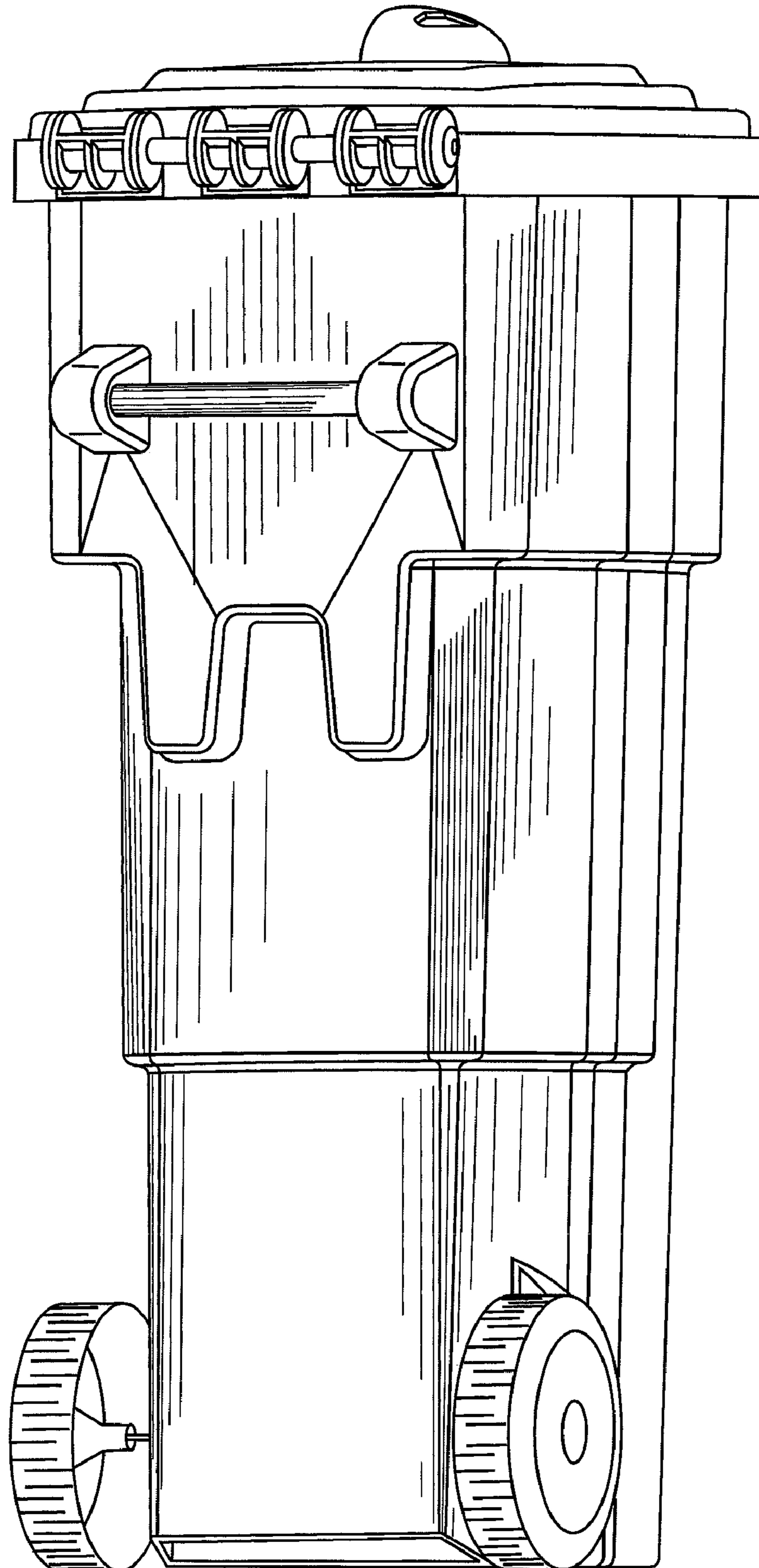


Fig. 3

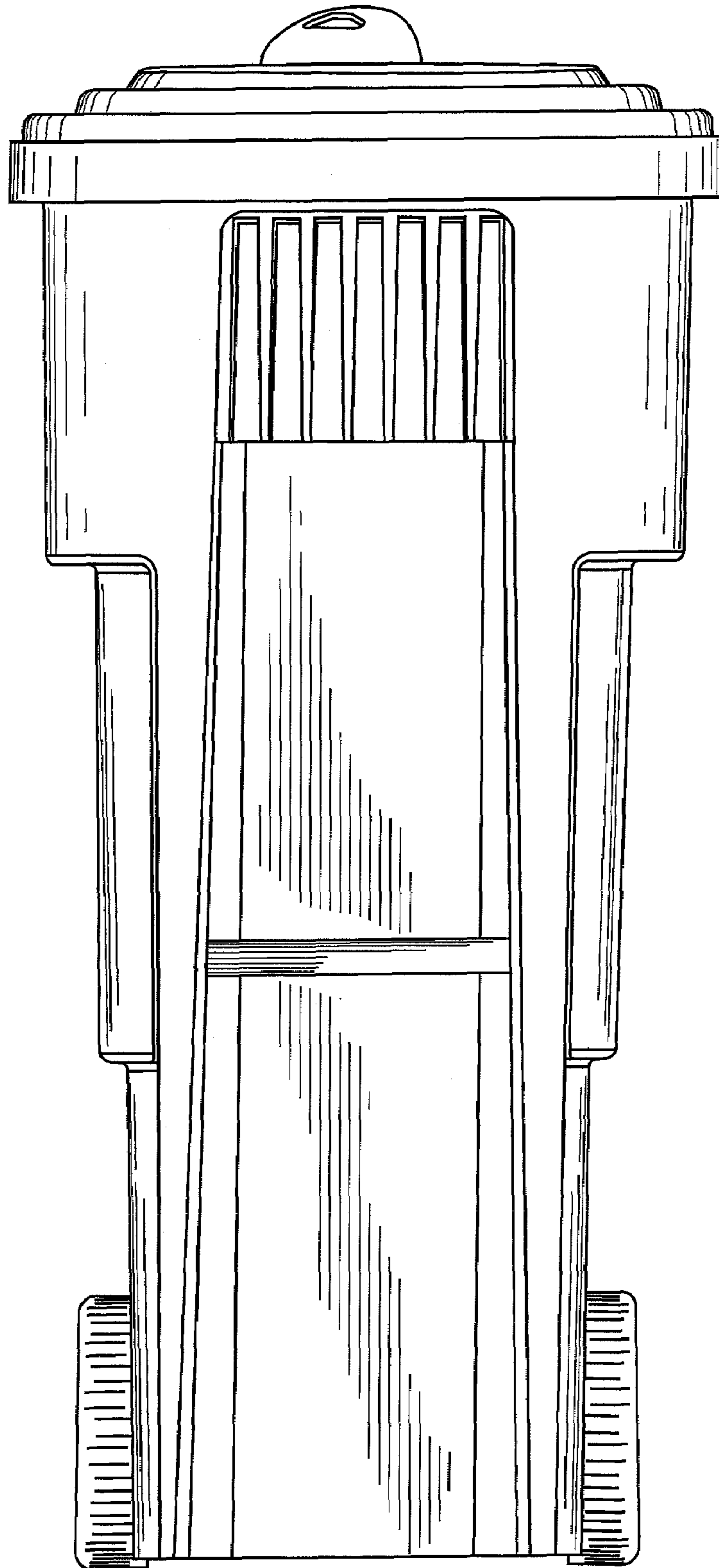


Fig. 4

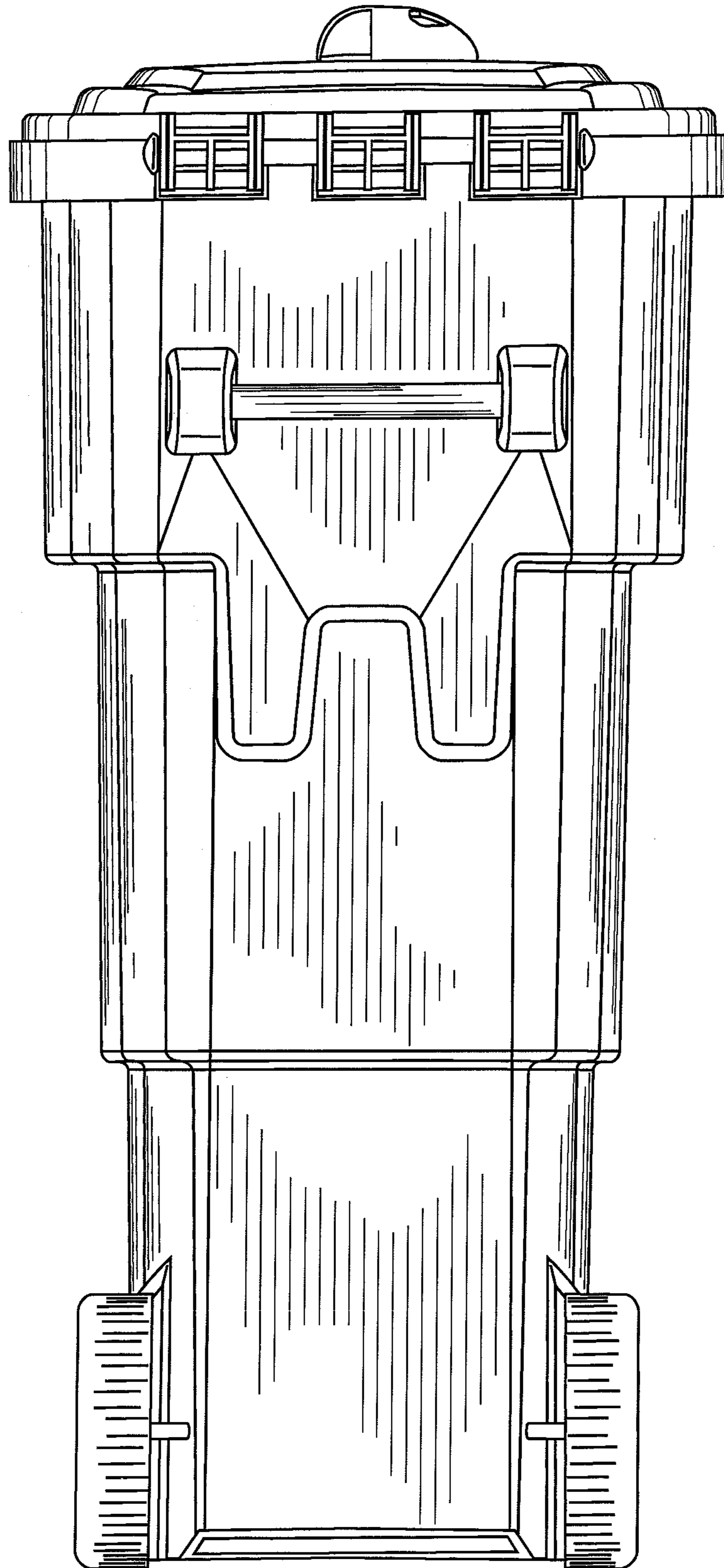


Fig. 5

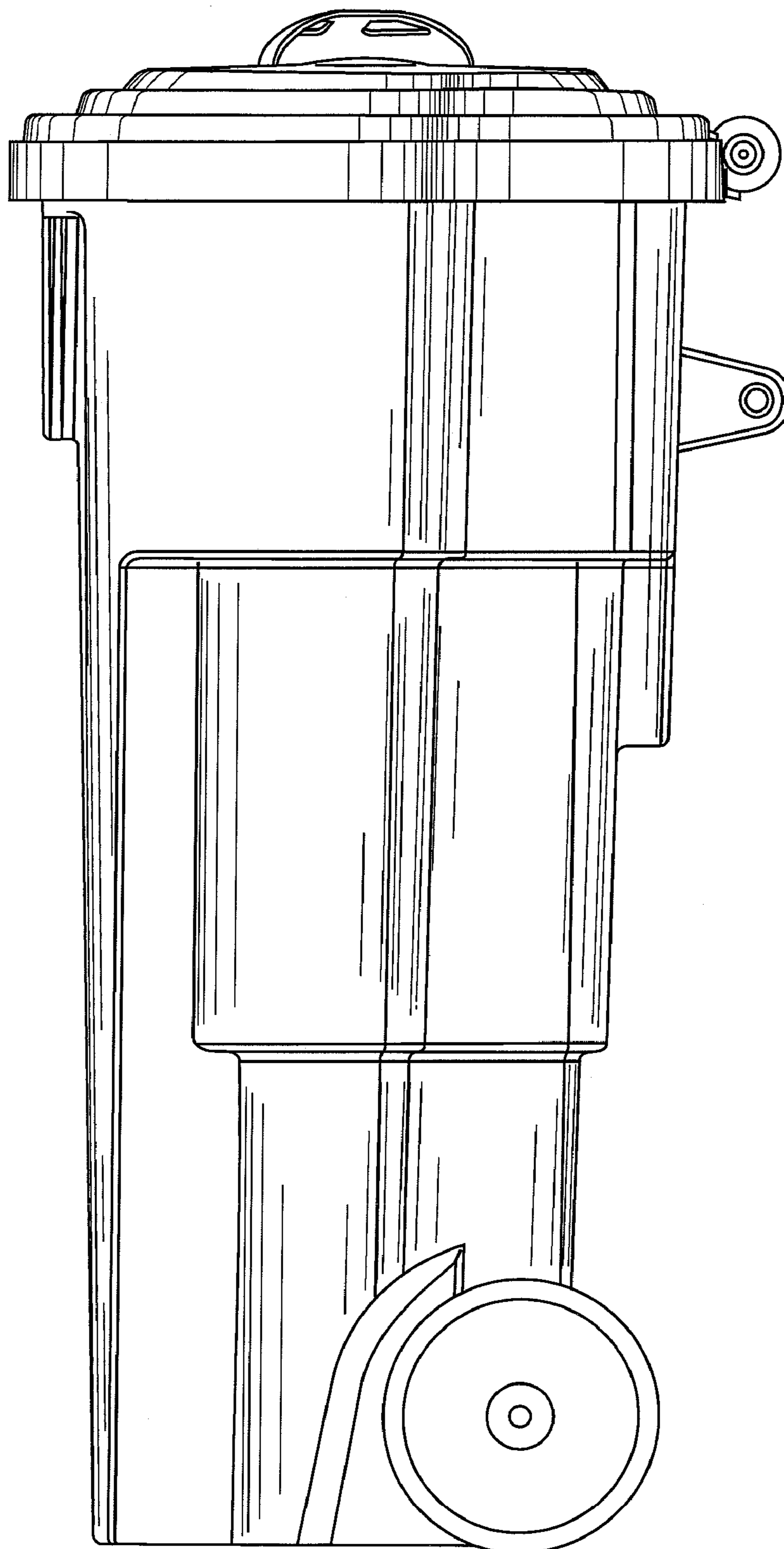


Fig. 6

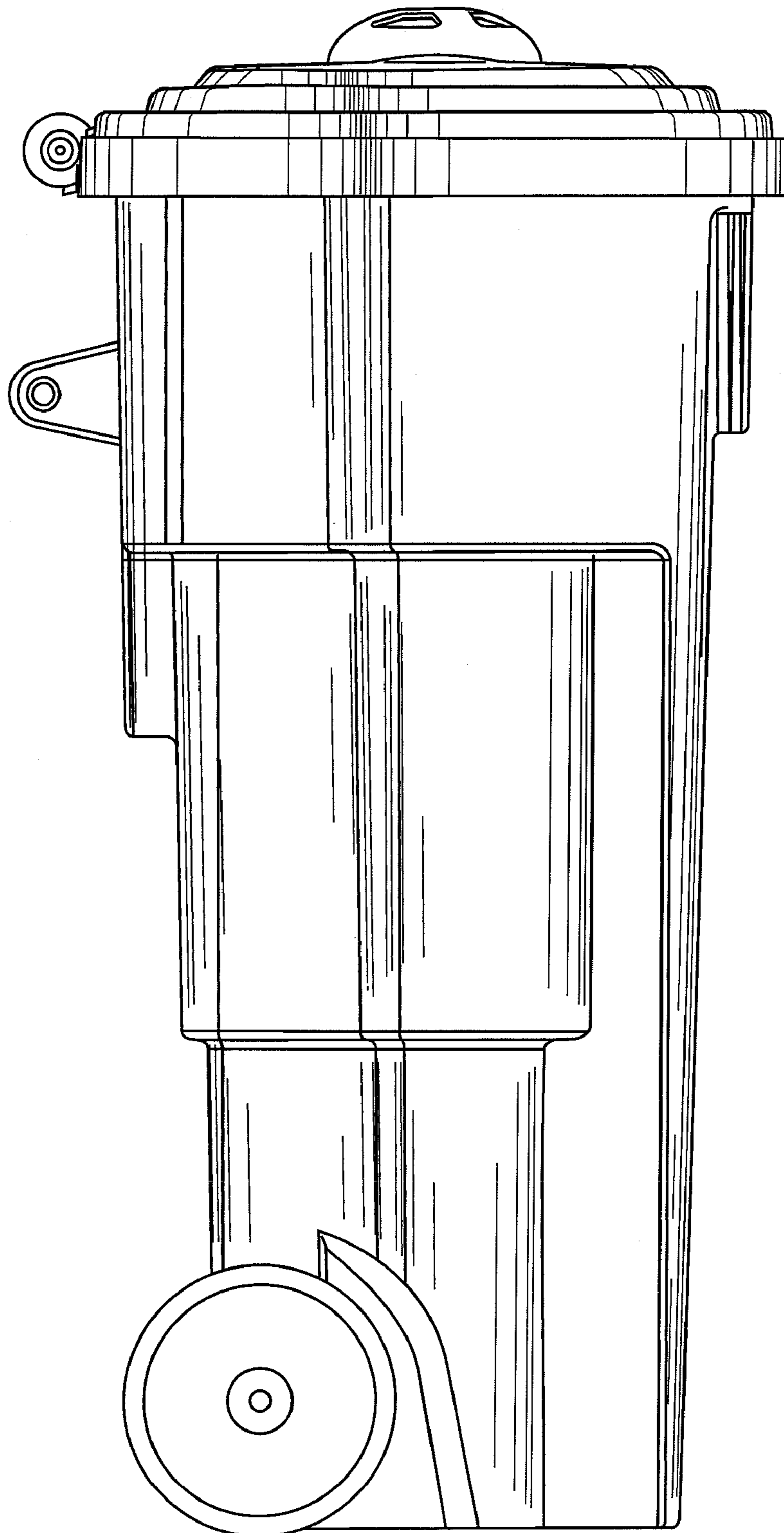


Fig. 7

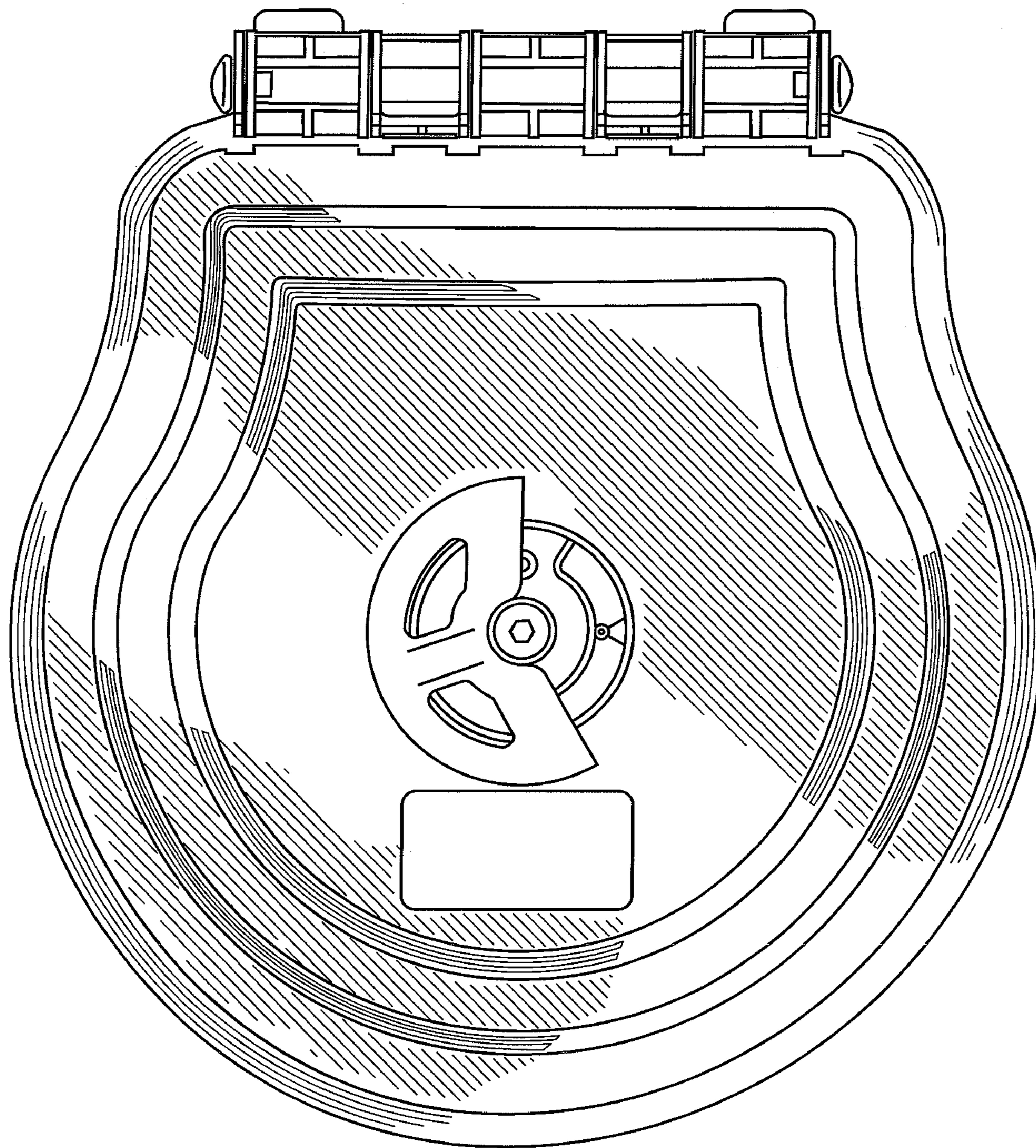


Fig. 8

