

US00D564712S

(12) **United States Design Patent**
Cole et al.

(10) **Patent No.: US D564,712 S**
(45) **Date of Patent: ** Mar. 18, 2008**

(54) **PAN OF A FEEDER ASSEMBLY**

D89,791 S * 5/1933 Pittman D7/555
D91,084 S * 11/1933 Pittman D7/555

(75) Inventors: **Theodore J. Cole**, Milford, IN (US);
Lionel L. Kreger, Warsaw, IN (US);
Charles R. Bird, Milford, IN (US)

(Continued)

(73) Assignee: **CTB IP, Inc.**, Wilmington, DE (US)

FOREIGN PATENT DOCUMENTS

DE 101 64 100 4/2003

(**) Term: **14 Years**

(21) Appl. No.: **29/249,508**

(Continued)

(22) Filed: **Oct. 10, 2006**

OTHER PUBLICATIONS

(51) **LOC (8) Cl.** **30-03**

HaiKoo Product Brochure by Roxell; Dated Mar. 2005; Four (4) pages.

(52) **U.S. Cl.** **D30/131; D30/121**

(Continued)

(58) **Field of Classification Search** D30/130-132,
D30/199; 119/72, 72.5, 75, 78, 53, 74, 76,
119/79, 80, 81, 51.01, 51.04, 52.1, 54, 57.4,
119/58, 61.1, 61.5, 52.4; 137/592, 408, 614.2;
239/28; 4/377; D7/553.4, 553.8, 552.2,
D7/549, 555, 557, 554.2, 359, 586, 551.1,
D7/553.7, 553.6, 546, 547, 672, 570, 544,
D7/564, 587, 584; D9/428, 432; D27/134;
220/630, 575, 574, 506; D11/149, 152; 99/442,
99/428, DIG. 15; 131/232; 249/169
See application file for complete search history.

Primary Examiner—Melanie Tung
Assistant Examiner—Susan Moon Lee
(74) *Attorney, Agent, or Firm*—Trexler, Bushnell,
Giangiorgi, Blackstone & Marr, Ltd.

(57) **CLAIM**

We claim the ornamental design for a pan of a feeder assembly, as shown and described.

(56) **References Cited**

DESCRIPTION

U.S. PATENT DOCUMENTS

364,557 A	6/1887	Walín	
414,405 A	11/1889	Hallock	
570,569 A	11/1896	Smith	
580,054 A	4/1897	Merriman	
D31,256 S *	7/1899	Anderson D7/672
846,175 A	3/1907	Xevers	
905,393 A	12/1908	Webb	
948,014 A	1/1910	Lewis	
984,980 A	2/1911	Taylor	
1,069,943 A	8/1913	Haffey	
1,131,491 A	3/1915	Drake	
1,154,073 A	9/1915	Stocking	
1,565,117 A	12/1925	Stabbert	
1,699,501 A	1/1929	McCartney	
1,862,349 A	6/1932	Perry	

FIG. 1 is a perspective view of the pan of a feeder assembly of our design;

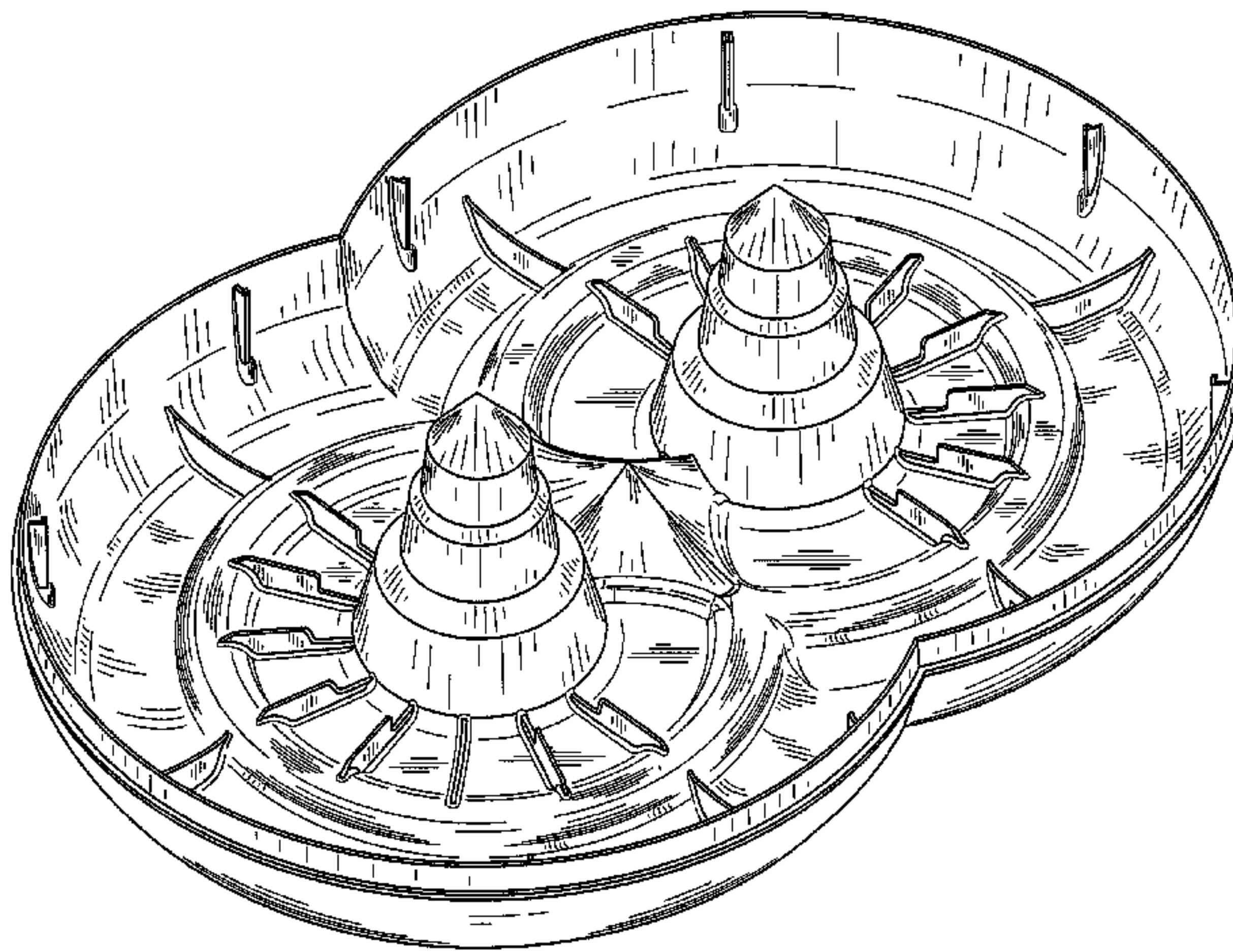
FIG. 2 a top plan view of the pan of a feeder assembly of our design;

FIG. 3 is a bottom plan view of the pan of a feeder assembly of our design;

FIG. 4 is a front elevation view of the pan of a feeder assembly of our design, a rear elevation view not being shown as it is identical to the front elevation view; and,

FIG. 5 is a right side elevation view of the pan of a feeder assembly of our design, a left side elevation view being a mirror image thereof.

1 Claim, 4 Drawing Sheets



US D564,712 S

U.S. PATENT DOCUMENTS					
		4,527,513	A	7/1985	Hart et al.
		4,552,095	A	11/1985	Segalla
		D286,692	S	11/1986	DePew
		4,676,197	A *	6/1987	Hoover 119/57.4
		4,722,301	A	2/1988	Strong
		4,800,844	A	1/1989	Van Gilst
		4,815,417	A	3/1989	Strong
		4,834,026	A	5/1989	Brembeck et al.
		D302,750	S	8/1989	Brembeck et al.
		4,953,505	A	9/1990	Lia
		4,987,859	A	1/1991	Vanderzanden
		4,995,343	A	2/1991	Cole et al.
		5,007,380	A	4/1991	Badia et al.
		D321,959	S	11/1991	Cole et al.
		D322,911	S *	1/1992	Schmengler D7/359
		D322,912	S *	1/1992	Schmengler D7/359
		5,092,274	A	3/1992	Cole et al.
		5,097,797	A	3/1992	Van Zee et al.
		5,101,765	A	4/1992	Manfrin
		5,101,766	A	4/1992	Runion
		5,113,797	A	5/1992	van Daele
		5,117,778	A	6/1992	Imamura
		5,199,382	A	4/1993	Adriano
		5,218,926	A	6/1993	Wenstrand
		5,249,700	A *	10/1993	Dumke 220/574
		D341,449	S	11/1993	Conner
		5,275,131	A	1/1994	Brake et al.
		5,311,839	A	5/1994	Pollock et al.
		5,406,907	A	4/1995	Hart
		5,435,267	A *	7/1995	Patterson 119/52.4
		5,456,210	A *	10/1995	Miller 119/75
		5,462,017	A	10/1995	Pollock et al.
		5,463,980	A	11/1995	Rasmussen
		5,479,891	A	1/1996	Dollar et al.
		5,497,730	A	3/1996	van Daele et al.
		5,517,944	A	5/1996	Bate et al.
		5,564,363	A	10/1996	Soffici
		5,588,394	A	12/1996	Balistreri
		5,699,753	A	12/1997	Aldridge, III
		5,718,187	A	2/1998	Pollock et al.
		5,762,021	A	6/1998	Horwood et al.
		5,765,503	A	6/1998	van Daele
		5,778,821	A	7/1998	Horwood et al.
		5,782,200	A	7/1998	Knowles et al.
		5,794,562	A	8/1998	Hart
		5,875,733	A *	3/1999	Chen 119/57.4
		5,884,581	A	3/1999	Vandaele
		D409,055	S *	5/1999	Johnson et al. D7/677
		5,927,232	A	7/1999	Pollock
		5,941,193	A	8/1999	Cole
		5,957,083	A	9/1999	Cheng
		5,960,982	A *	10/1999	Perlis et al. 220/574
		5,996,530	A	12/1999	Miller et al.
		6,050,220	A	4/2000	Kimmel et al.
		6,055,934	A	5/2000	Burns et al.
		D426,682	S	6/2000	Kreger et al.
		6,083,339	A	7/2000	Peters et al.
		D434,697	S *	12/2000	Dachter D11/152
		6,170,435	B1	1/2001	Momont et al.
		6,173,676	B1	1/2001	Cole
		D444,676	S *	7/2001	Murphy D7/553.6
		6,314,909	B1	11/2001	Horwood
		6,349,672	B1	2/2002	Daffi
		D460,839	S	7/2002	Kreger et al.
		6,467,429	B1	10/2002	Plouzen
		6,470,826	B2	10/2002	Thuline
		6,474,261	B1	11/2002	Turner et al.
		D478,246	S *	8/2003	Villano et al. D7/359
		6,655,317	B1	12/2003	Stuedler, Jr. et al.
		D491,320	S	6/2004	Cole et al.
		D491,696	S	6/2004	Cole et al.
		6,779,488	B2	8/2004	Corti et al.
		6,786,178	B2	9/2004	De Rouck

US D564,712 S

Page 3

D498,565 S	11/2004	Cole et al.	FR	2 680 949	3/1993
D499,218 S	11/2004	Cole et al.	JP	11341933	12/1999
7,107,932 B2	9/2006	Cole et al.	TW	226518	7/1994
D530,045 S	10/2006	Cole et al.	TW	342596	10/1998
7,162,973 B2 *	1/2007	Cole et al. 119/52.4	TW	343434	10/1998
7,228,817 B2 *	6/2007	Busse 119/53	WO	01/06846	2/2001
2001/0047766 A1	12/2001	Thuline	WO	01/52790	7/2001
2002/0152965 A1	10/2002	Turner et al.			
2003/0106498 A1	6/2003	Mersits et al.			
2003/0192480 A1	10/2003	Bennett			
2004/0016408 A1	1/2004	Gasparly et al.			
2004/0050336 A1	3/2004	De Rouck			
2005/0039690 A1	2/2005	Sage, Jr.			

FOREIGN PATENT DOCUMENTS

DE	101 64 122	5/2003
EP	0 951 825	10/1999
FR	2 678 480	1/1993

OTHER PUBLICATIONS

Kixoo Product Brochure by Roxell; Dated Mar. 2004; Six (6) pages.
Augermatic & TruPan Product Brochure by Big Dutchman; Dated Aug. 2001; Six (6) pages.
Augermatic Product Brochure by Big Dutchman; Dated Jun. 2001; Six (6) pages.
Model ATF Turkey Feeder Brochure by Chore-Time; Dated Dec. 1993; Two (2) pages.

* cited by examiner

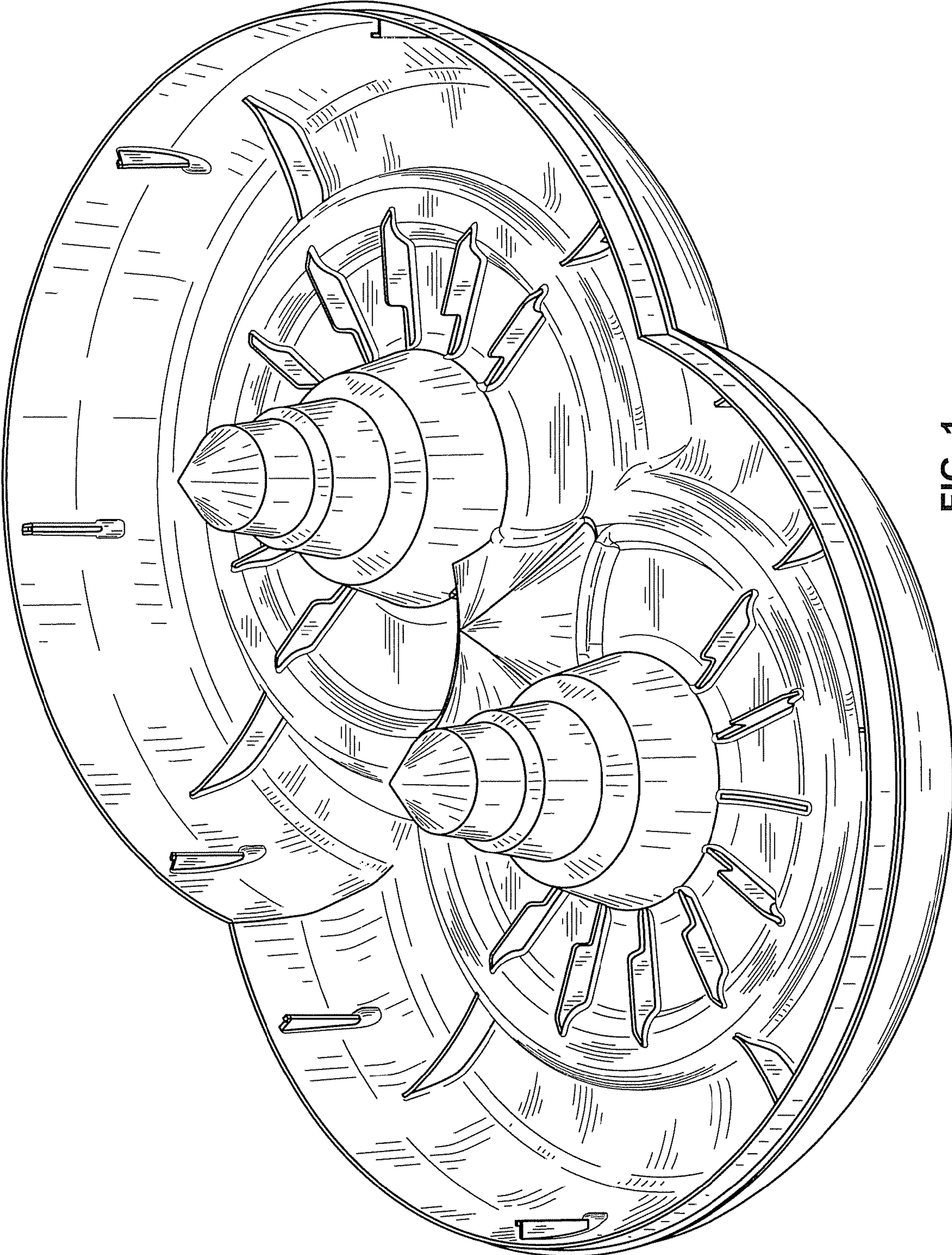


FIG. 1

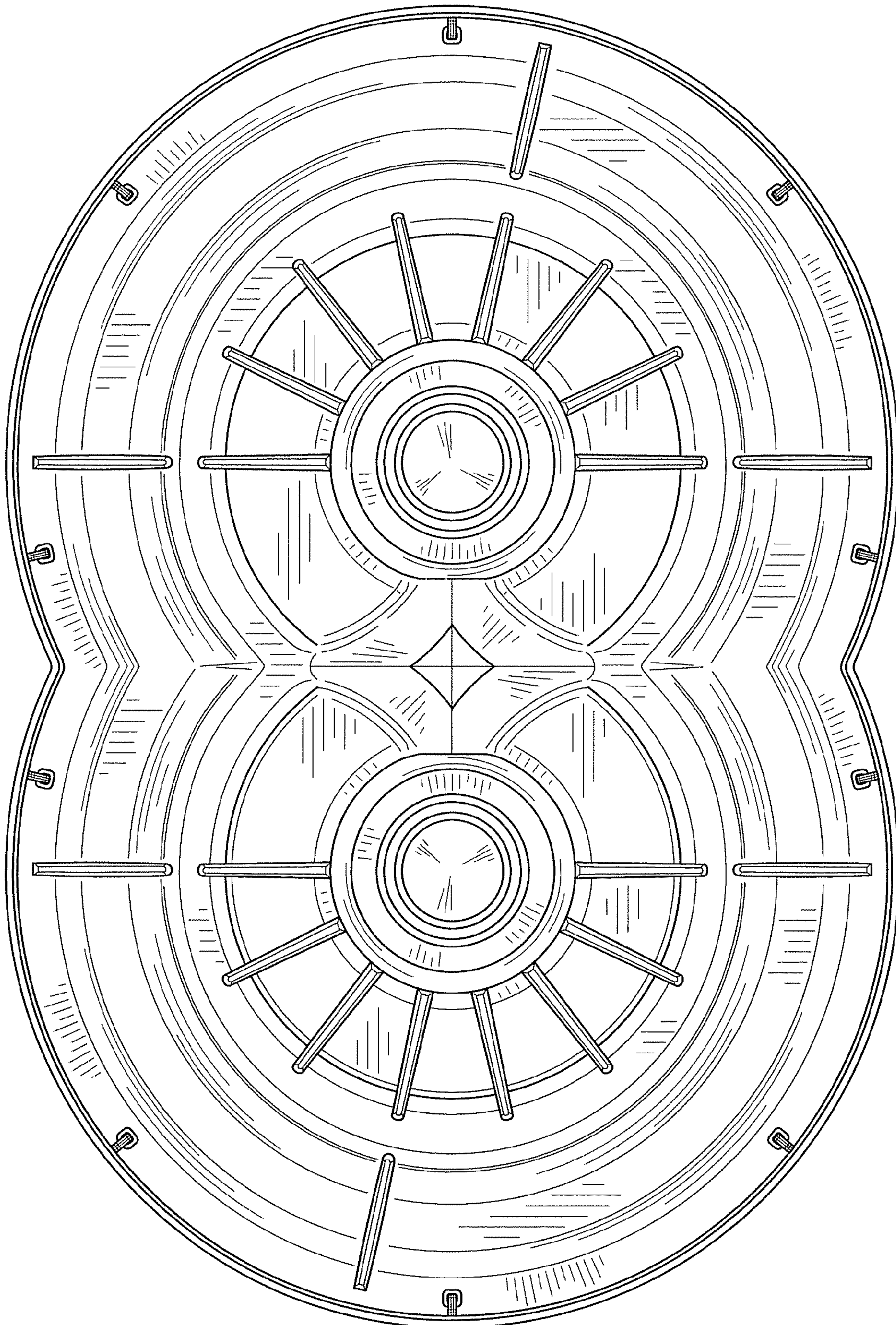


FIG. 2

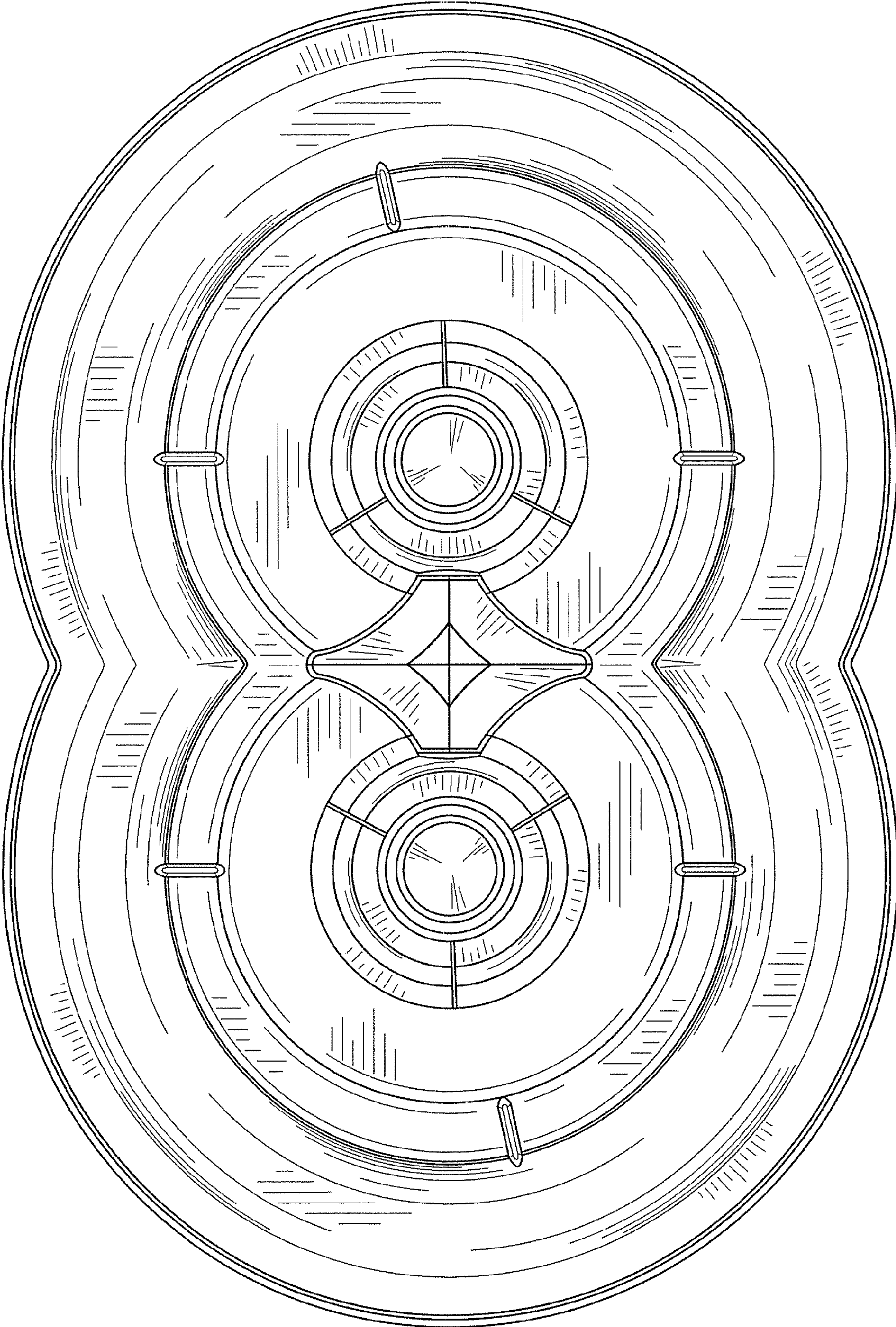


FIG. 3

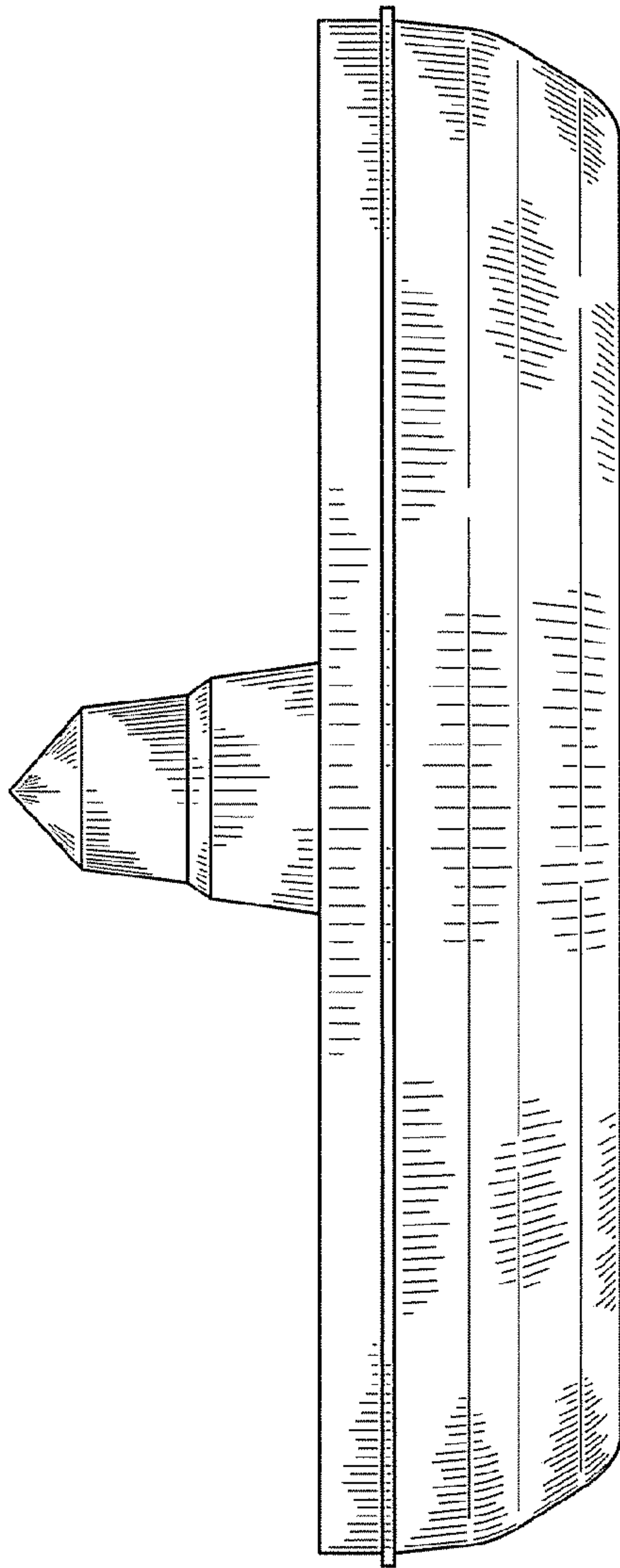


FIG. 4

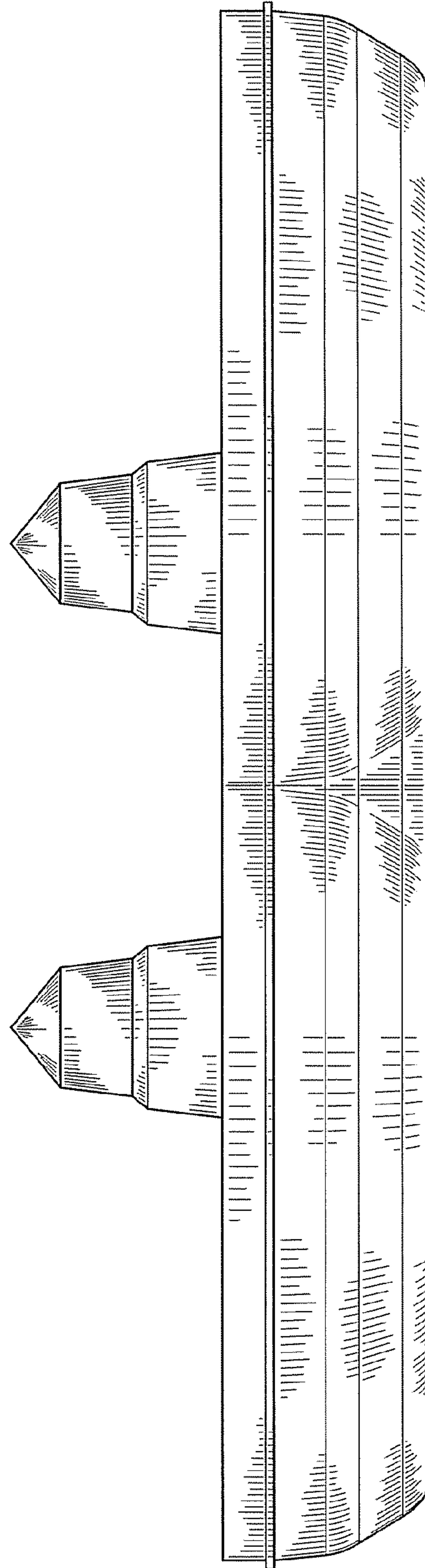


FIG. 5