

US00D564703S

(12) **United States Design Patent**  
**Pedersen**

(10) **Patent No.:** **US D564,703 S**  
(45) **Date of Patent:** **\*\* Mar. 18, 2008**

(54) **LIGHTING FIXTURE SUSPENSION CANOPY**

(75) Inventor: **William Pedersen**, New York, NY (US)

(73) Assignee: **Ivalo Lighting Inc.**, Coopersburg, PA (US)

(\*\*) Term: **14 Years**

(21) Appl. No.: **29/259,452**

(22) Filed: **May 9, 2006**

(51) **LOC (8) Cl.** ..... **26-99**

(52) **U.S. Cl.** ..... **D26/144**

(58) **Field of Classification Search** ..... D26/67,  
D26/34, 138, 140, 142, 118, 72, 85, 86, 87,  
D26/84, 75, 76, 144; 248/230.5, 156; 362/373,  
362/477, 473, 231; D10/104; D8/373, 354;  
D6/579; D13/180

See application file for complete search history.

(56) **References Cited**

U.S. PATENT DOCUMENTS

D42,580 S *	6/1912	Hotchkin	.....	D26/144
1,366,710 A *	1/1921	Anker	.....	248/156
D91,342 S *	1/1934	Yohe	.....	D26/24
D121,094 S *	6/1940	Heath	.....	D26/75
D129,922 S *	10/1941	Irmscher	.....	D26/24
2,597,157 A *	5/1952	Martino	.....	248/150
D168,654 S *	1/1953	Pretzer	.....	D26/76
D290,886 S *	7/1987	Meoli et al.	.....	D26/138
D303,437 S *	9/1989	Mason	.....	D26/86
D310,426 S *	9/1990	Rook	.....	D26/138
5,537,304 A *	7/1996	Klaus	.....	362/373
D418,241 S *	12/1999	Thomas	.....	D26/84
D418,242 S *	12/1999	Diaz-Azcuy	.....	D26/84

D435,133 S *	12/2000	Miranda	.....	D26/84
D440,348 S *	4/2001	Tai	.....	D26/144
D470,967 S *	2/2003	Rose	.....	D26/81
D498,019 S *	11/2004	Dye	.....	D26/144

\* cited by examiner

*Primary Examiner*—Freda S. Nunn

*Assistant Examiner*—Kevin K Rudzinski

(74) *Attorney, Agent, or Firm*—Ostrolenk, Faber, Gerb & Soffen, LLP

(57) **CLAIM**

The ornamental design for a lighting fixture suspension canopy, as shown and described.

**DESCRIPTION**

FIG. 1 is perspective front view, as seen from above, of the lighting fixture suspension canopy according to the invention.

FIG. 2 is perspective side view, seen from below, of the lighting fixture suspension canopy of FIG. 1.

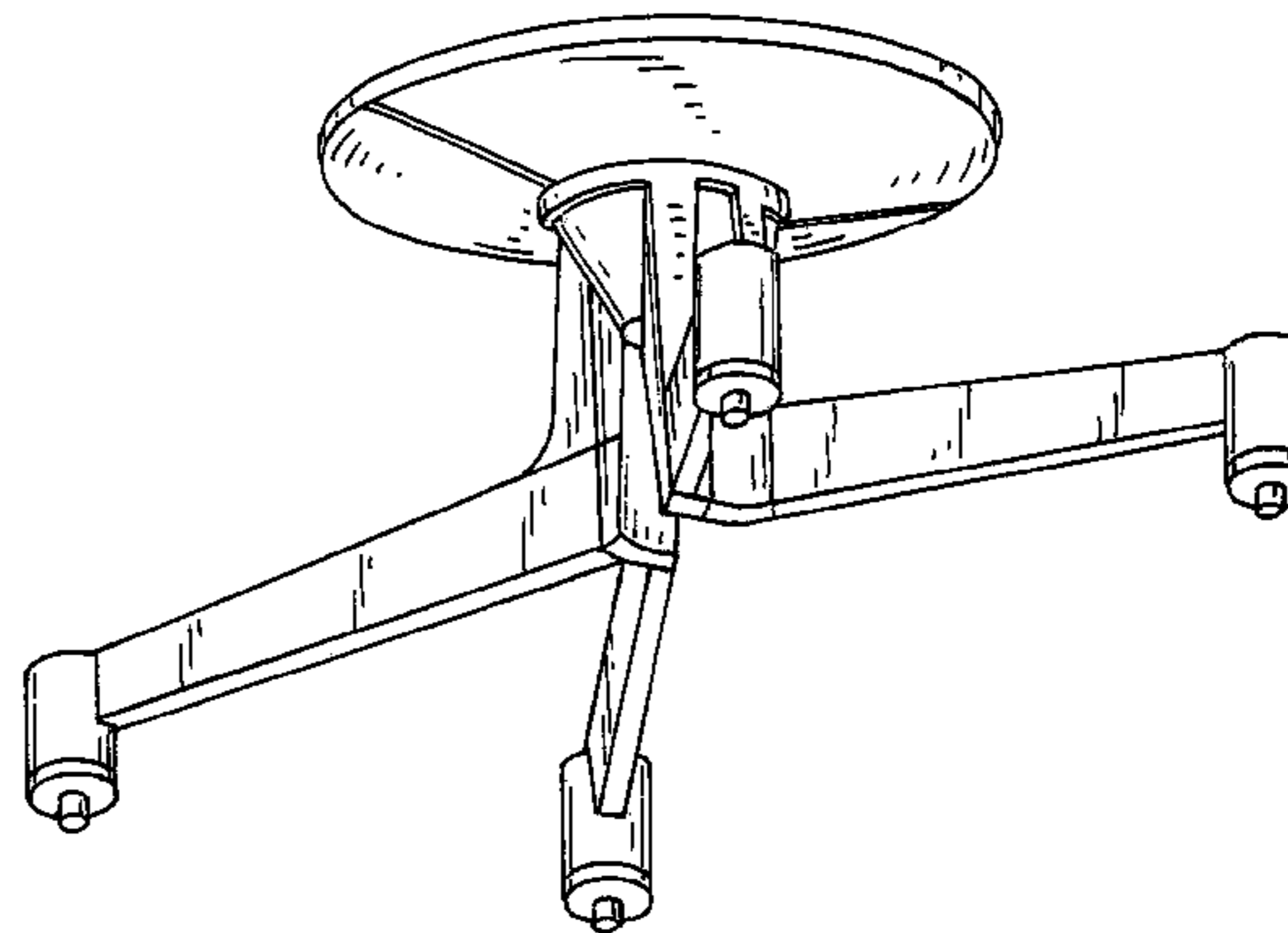
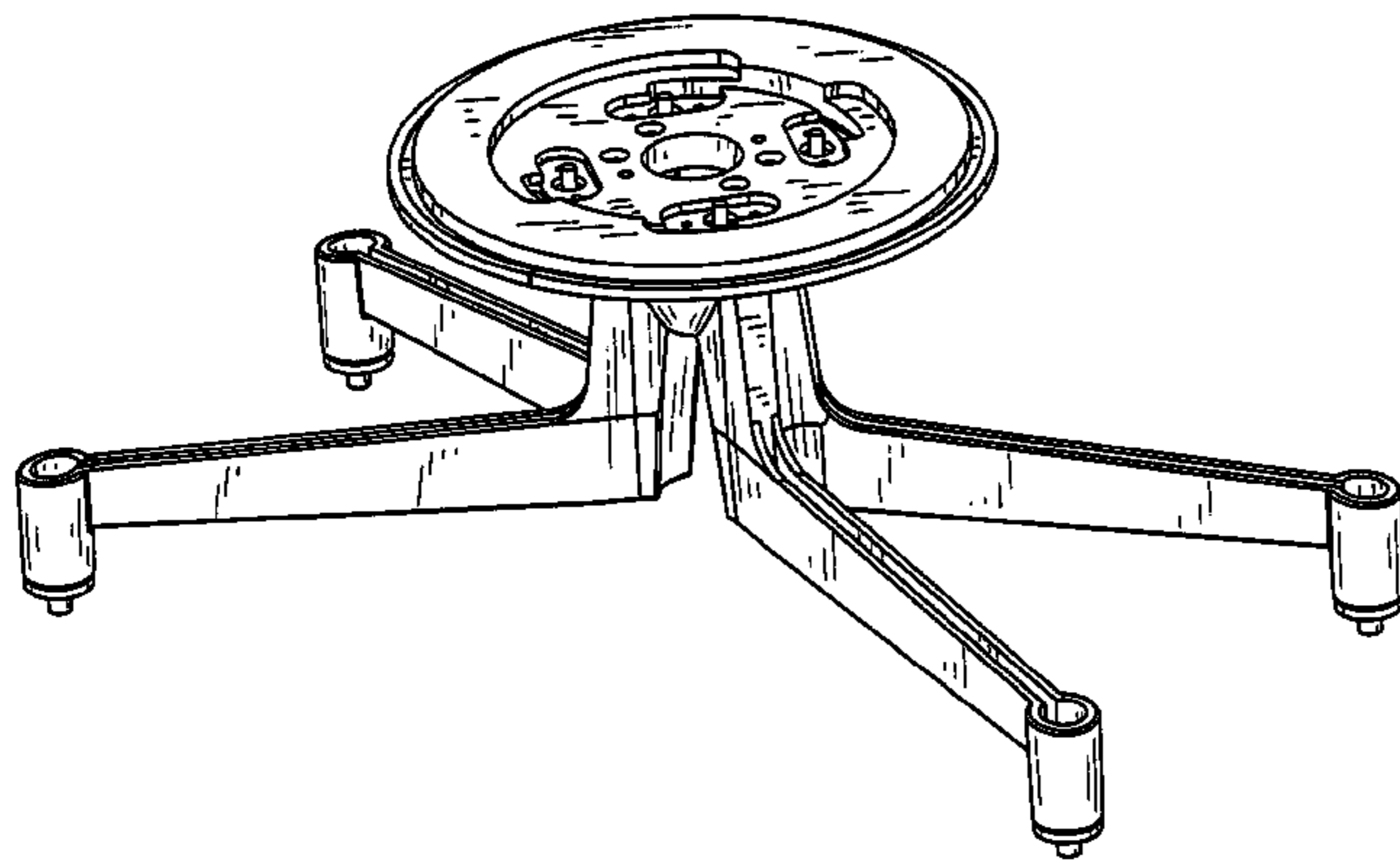
FIG. 3 is a front elevation view of the lighting fixture suspension canopy of FIG. 1, the rear elevation view being identical.

FIG. 4 is a left side elevation view of the lighting fixture suspension canopy of FIG. 1, the right side elevation view being identical.

FIG. 5 is a top plan view of the lighting fixture suspension canopy of FIG. 1; and,

FIG. 6 is a bottom plan view of the lighting fixture suspension canopy of FIG. 1.

**1 Claim, 6 Drawing Sheets**



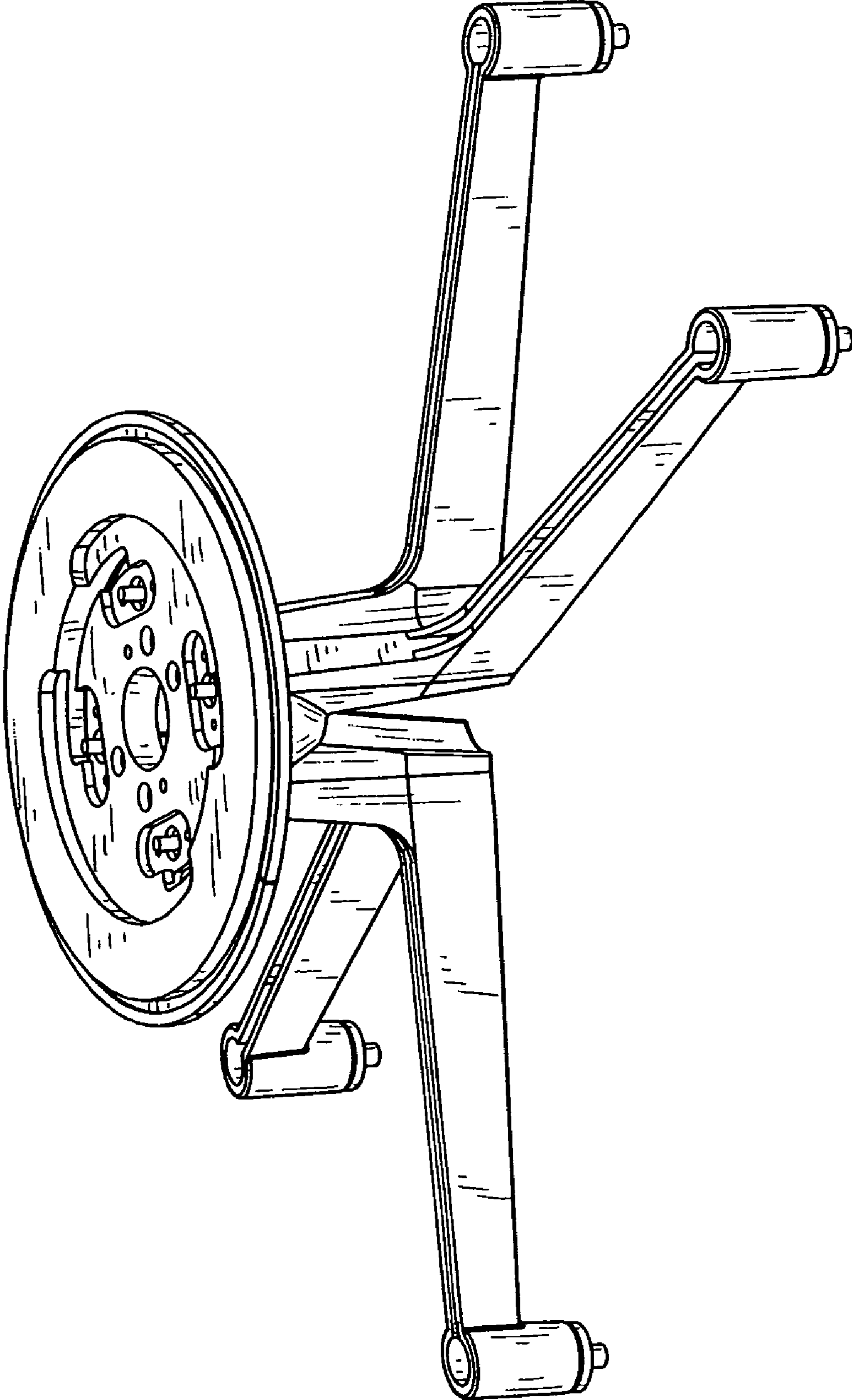


FIG. 1

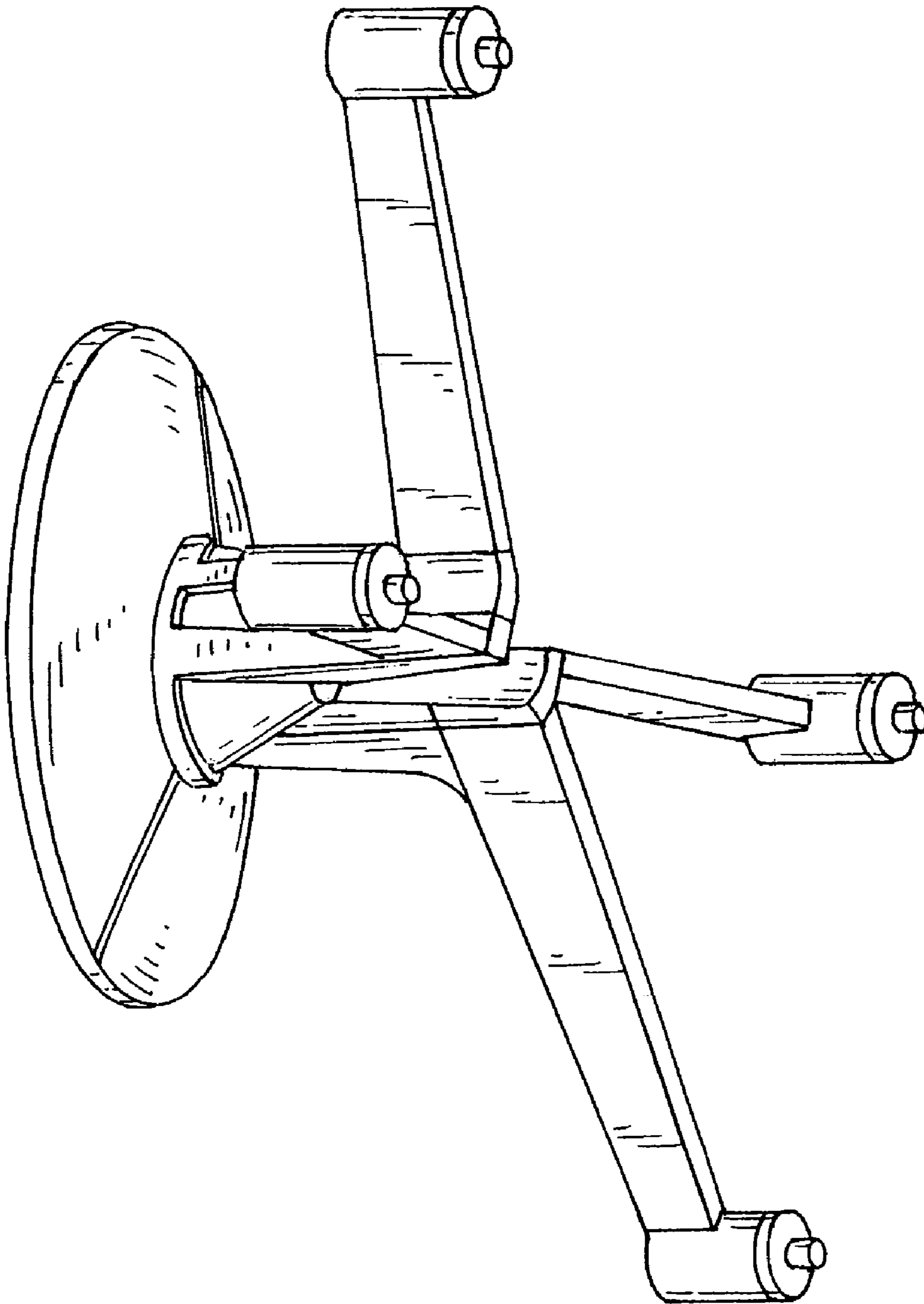


FIG. 2

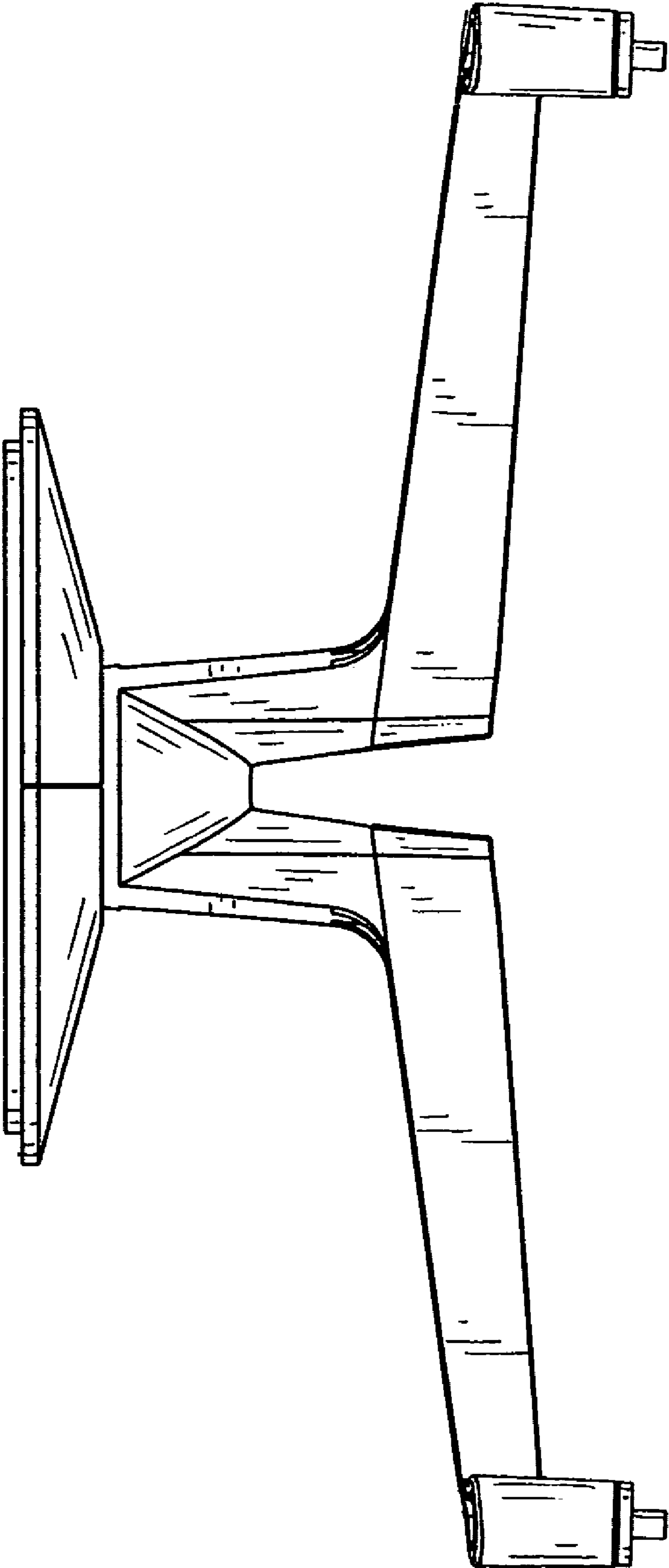


FIG. 3

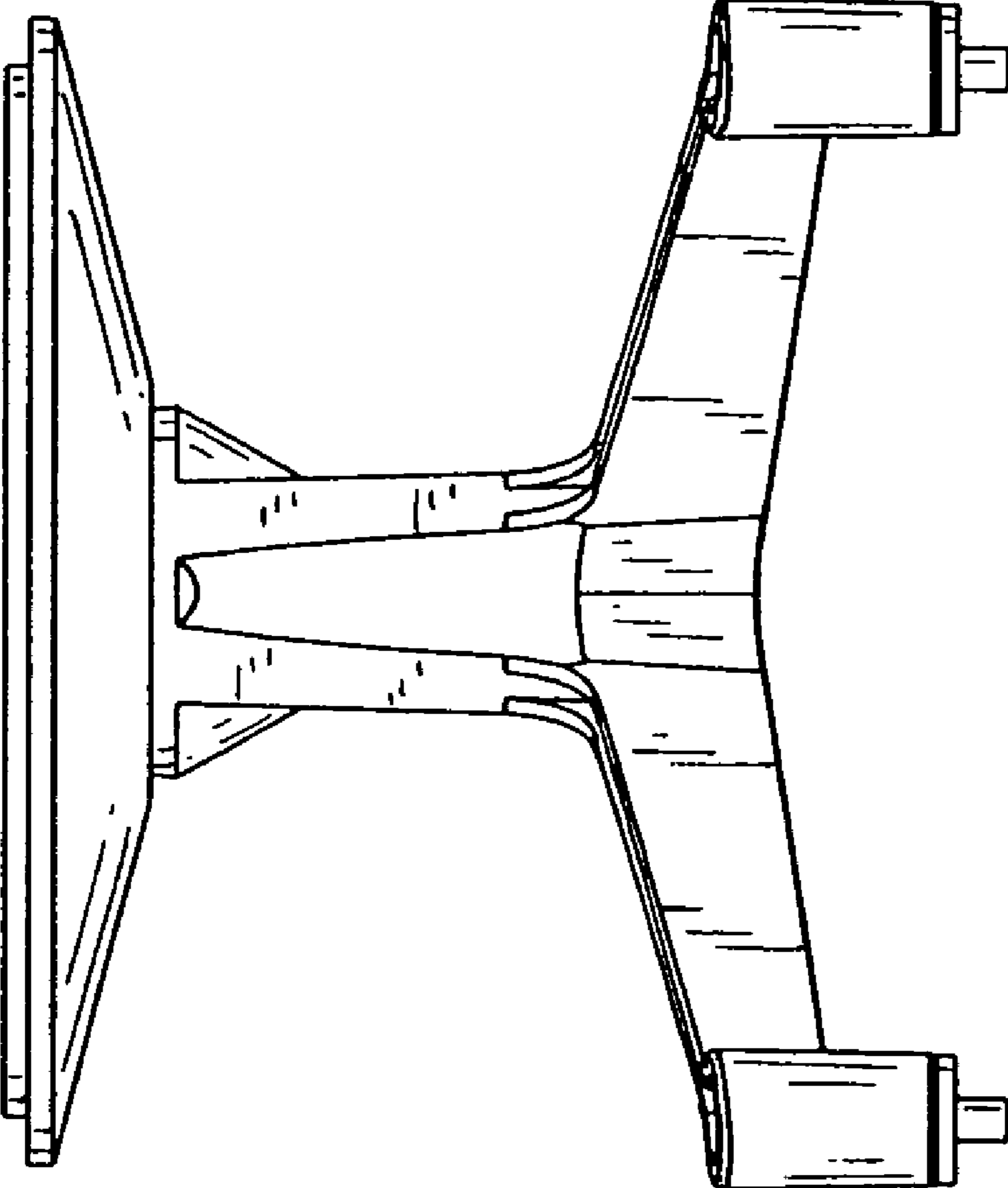


FIG. 4

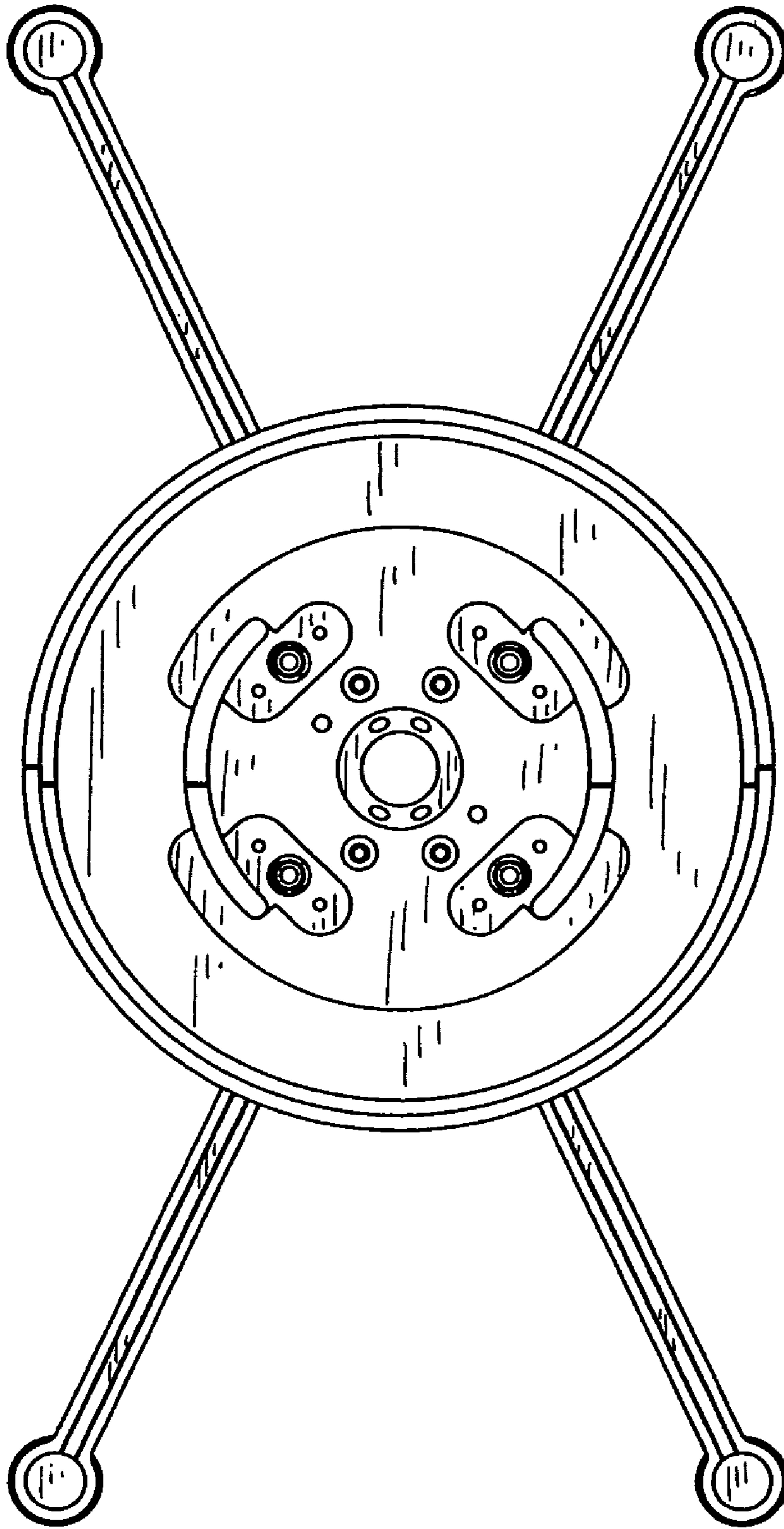


FIG. 5

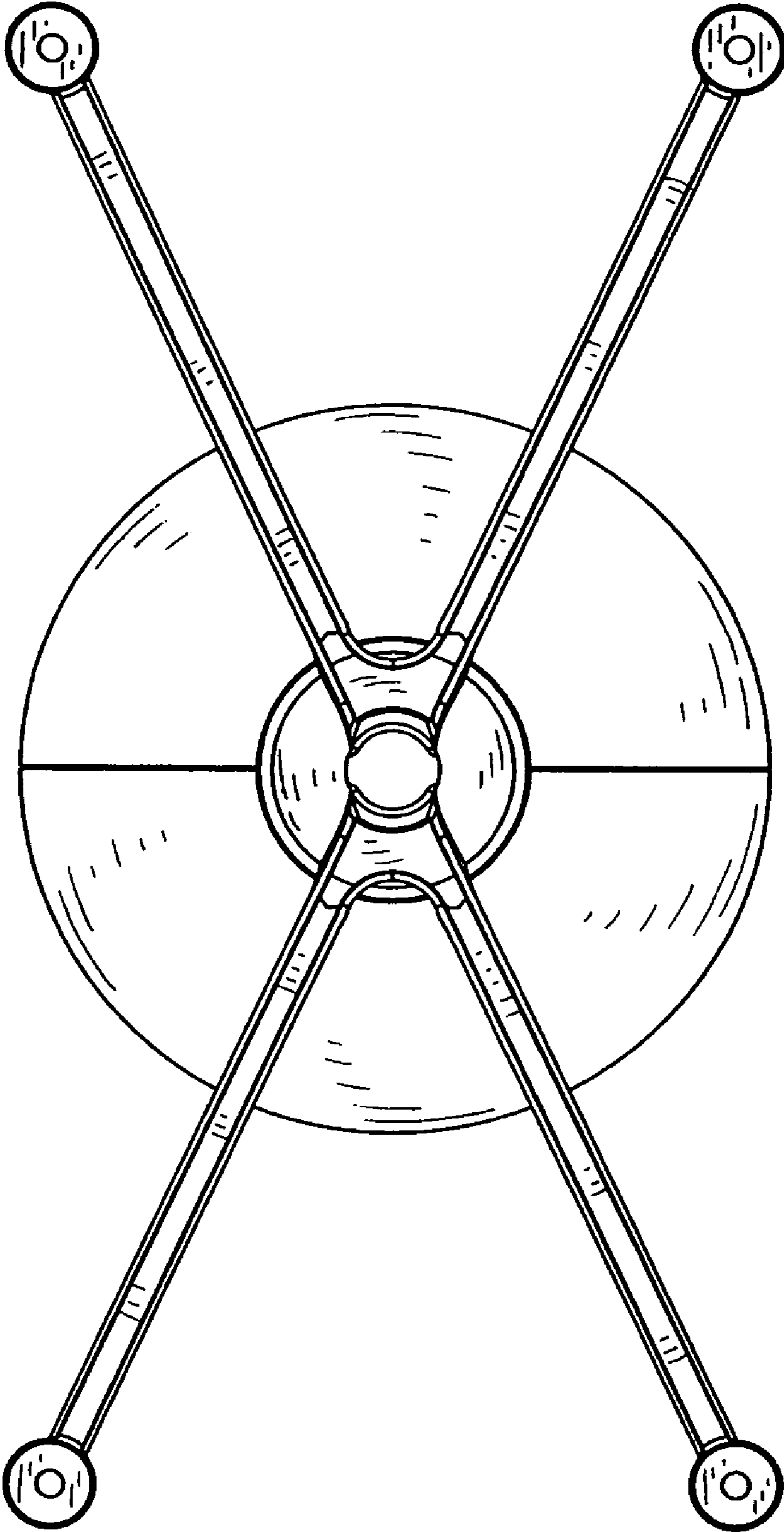


FIG. 6