



US00D564701S

(12) **United States Design Patent**
Thompson

(10) **Patent No.:** **US D564,701 S**

(45) **Date of Patent:** **** Mar. 18, 2008**

(54) **BASE FOR AN OVAL LIGHTING FIXTURE**

(75) Inventor: **Brandon Thompson**, Osceola, IN (US)

(73) Assignee: **R.B. Gustafson, Company**, Elkhart, IN (US)

(**) Term: **14 Years**

(21) Appl. No.: **29/270,151**

(22) Filed: **Dec. 15, 2006**

(51) **LOC (8) Cl.** **26-99**

(52) **U.S. Cl.** **D26/142**

(58) **Field of Classification Search** D26/72,
D26/63, 85, 28, 124, 118, 65, 60, 40, 41,
D26/42, 80, 87, 68, 67, 37, 49, 74, 77, 86,
D26/88, 89, 93, 103, 104, 105, 113, 114,
D26/119, 122, 123, 128, 138, 142, 143, 152;
362/365, 96, 147, 151, 153, 217, 643, 654,
362/257, 290, 296, 297, 301, 302, 309, 317,
362/341, 342, 343, 347, 348, 349, 362, 364,
362/395, 404, 405, 410, 441; 126/258

See application file for complete search history.

(56) **References Cited**

U.S. PATENT DOCUMENTS

- D51,412 S * 10/1917 Gillinder D26/123
- 1,336,951 A 4/1920 Muhsgnug
- D75,432 S 6/1928 Keller
- D122,878 S * 10/1940 Petzold D26/133
- 2,255,431 A * 9/1941 Marden et al. 313/485
- D134,355 S 11/1942 Rolph
- D228,792 S * 10/1973 Copnrad D26/123
- D228,795 S * 10/1973 Peasley D26/85
- D237,402 S * 10/1975 Leung D26/85
- D324,111 S 2/1992 Arbisi
- D348,729 S * 7/1994 Mason D23/411
- D375,812 S * 11/1996 Kramer D26/130
- 5,725,303 A * 3/1998 Lin 362/376
- 5,820,247 A * 10/1998 Schuler 362/96

- D412,040 S 7/1999 Hudak et al.
- D417,027 S * 11/1999 Cece D26/74
- D446,323 S * 8/2001 Hurayt D26/28
- D447,829 S * 9/2001 Bradford et al. D26/85
- D454,219 S 3/2002 Thompson
- D461,269 S 8/2002 Thompson
- D463,611 S 9/2002 Thompson
- D464,164 S 10/2002 Thompson
- D464,759 S 10/2002 Thompson
- D465,599 S 11/2002 Thompson
- D469,561 S 1/2003 Thompson
- D471,657 S * 3/2003 Huang D26/28
- D482,485 S * 11/2003 Benghozi D26/85
- D482,816 S * 11/2003 Packer et al. D26/89
- D509,617 S * 9/2005 Benghozi D26/89
- D514,008 S * 1/2006 Sassoon D10/113
- D519,661 S * 4/2006 Young D26/59
- D555,824 S 11/2007 Dickson

* cited by examiner

Primary Examiner—Freda S. Nunn

Assistant Examiner—Kevin K Rudzinski

(74) *Attorney, Agent, or Firm*—Duane Morris, LLP

(57) **CLAIM**

The ornamental design for a base for an oval lighting fixture, as shown and described.

DESCRIPTION

FIG. 1 is a perspective view of my new design in its environment, namely, mounted to an oval light lens. The lens is shown in broken lines for illustrative purposes only, and forms no part of the claimed design;

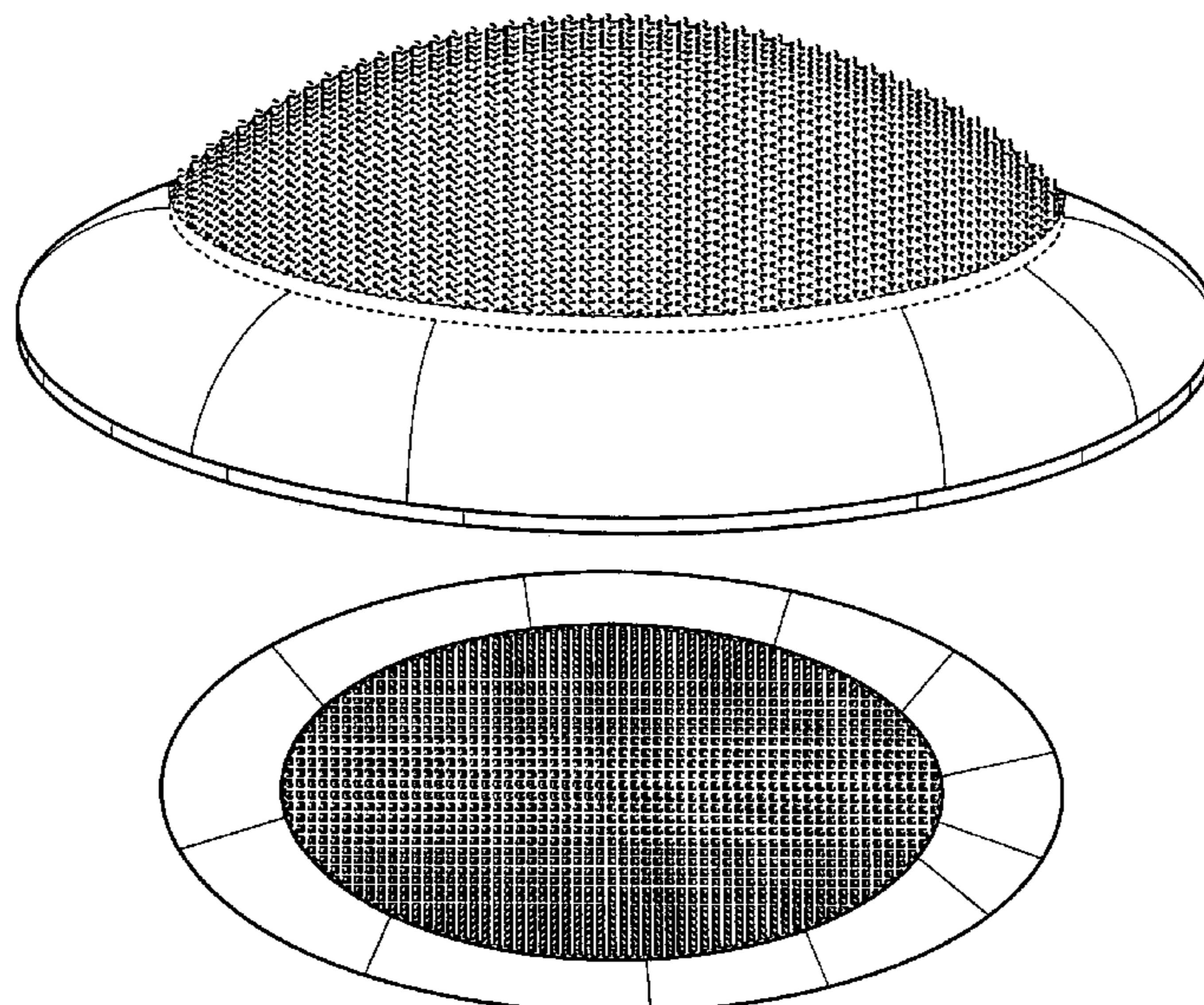
FIG. 2 is a top view of the design of FIG. 1;

FIG. 3 is a bottom view of the design of FIG. 1

FIG. 4 is a side elevation view of the design of FIG. 1; and,

FIG. 5 is an end elevation view of the design of FIG. 1.

1 Claim, 3 Drawing Sheets



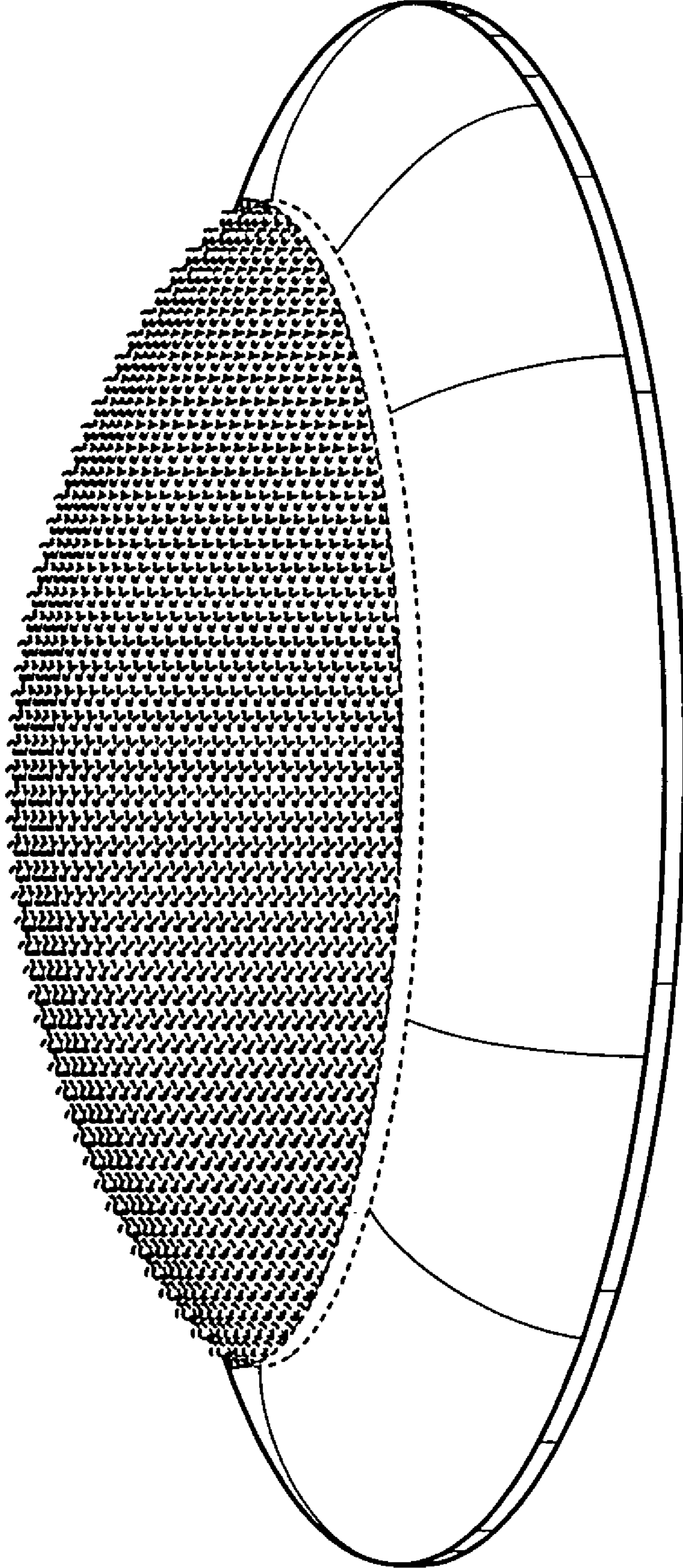


Fig. 1

Fig. 2

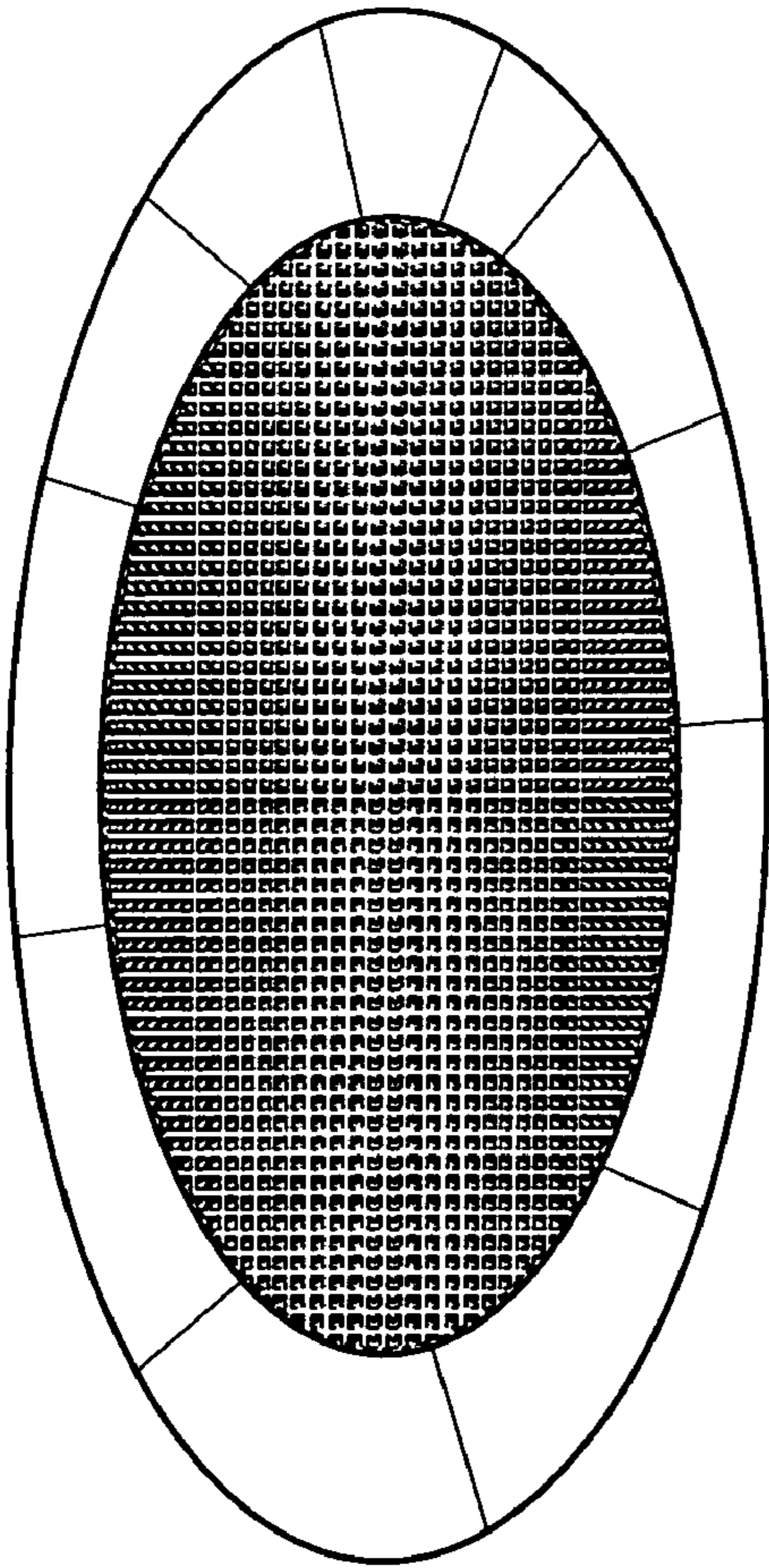
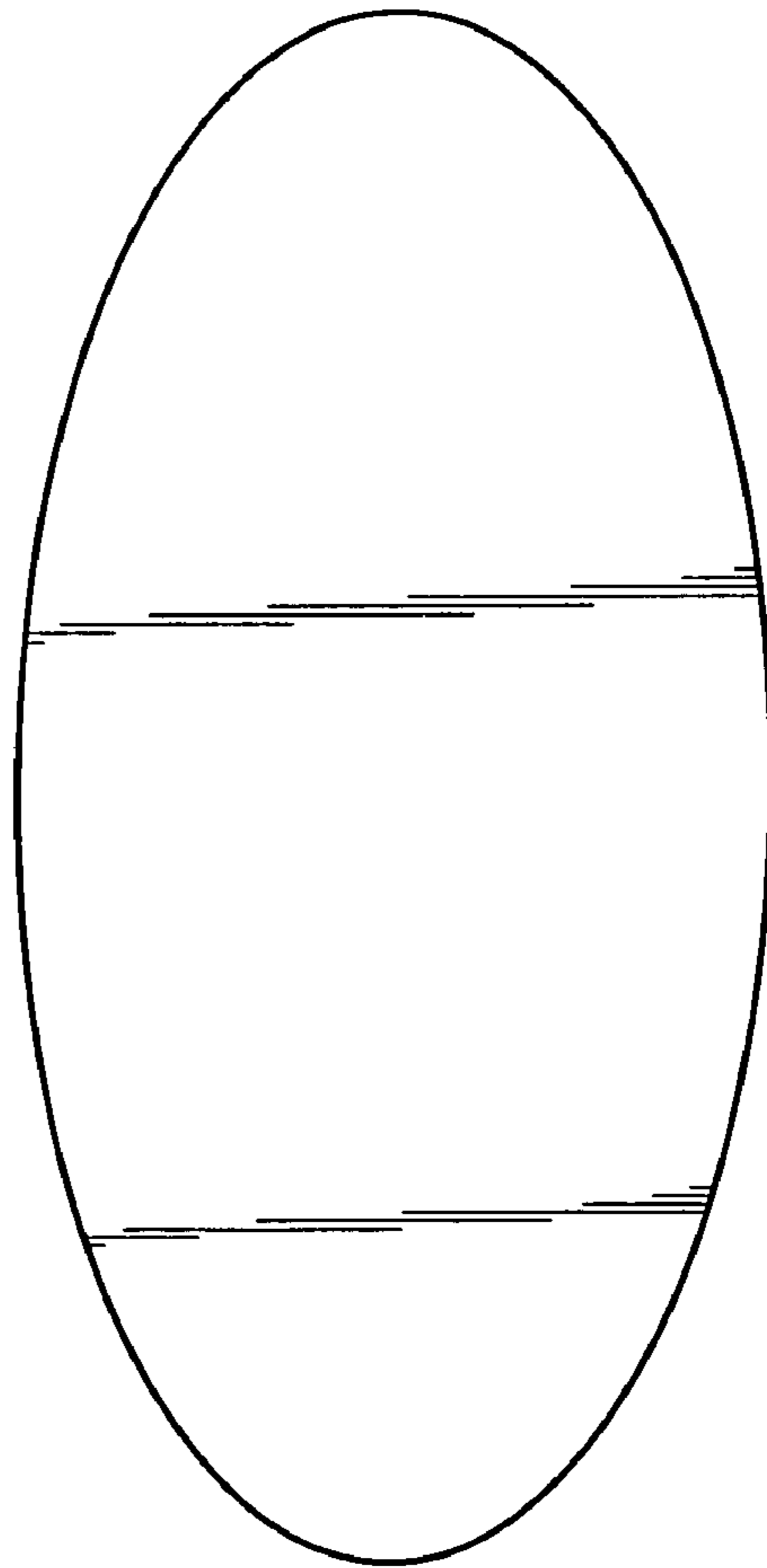


Fig. 3



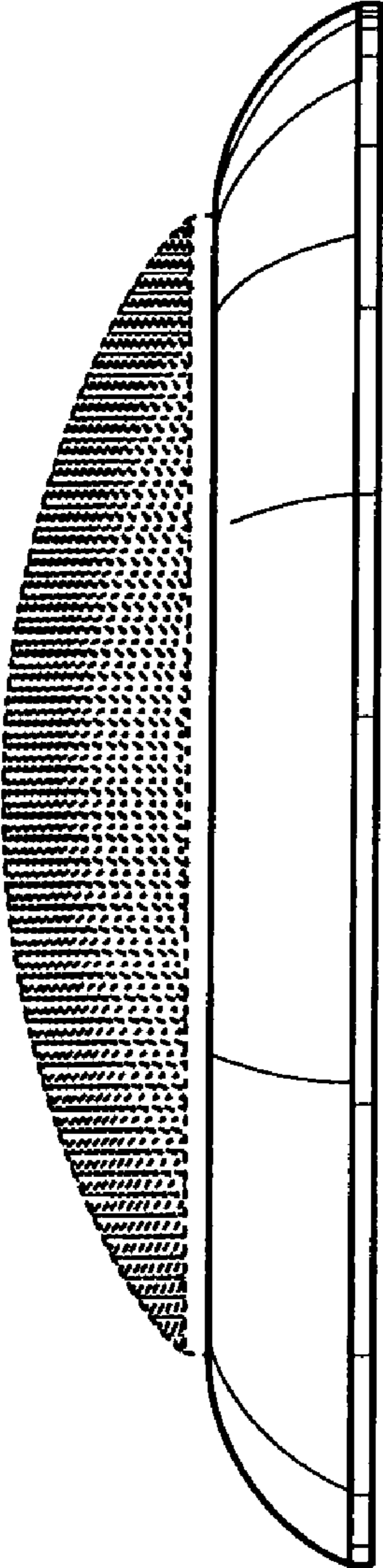


Fig. 4

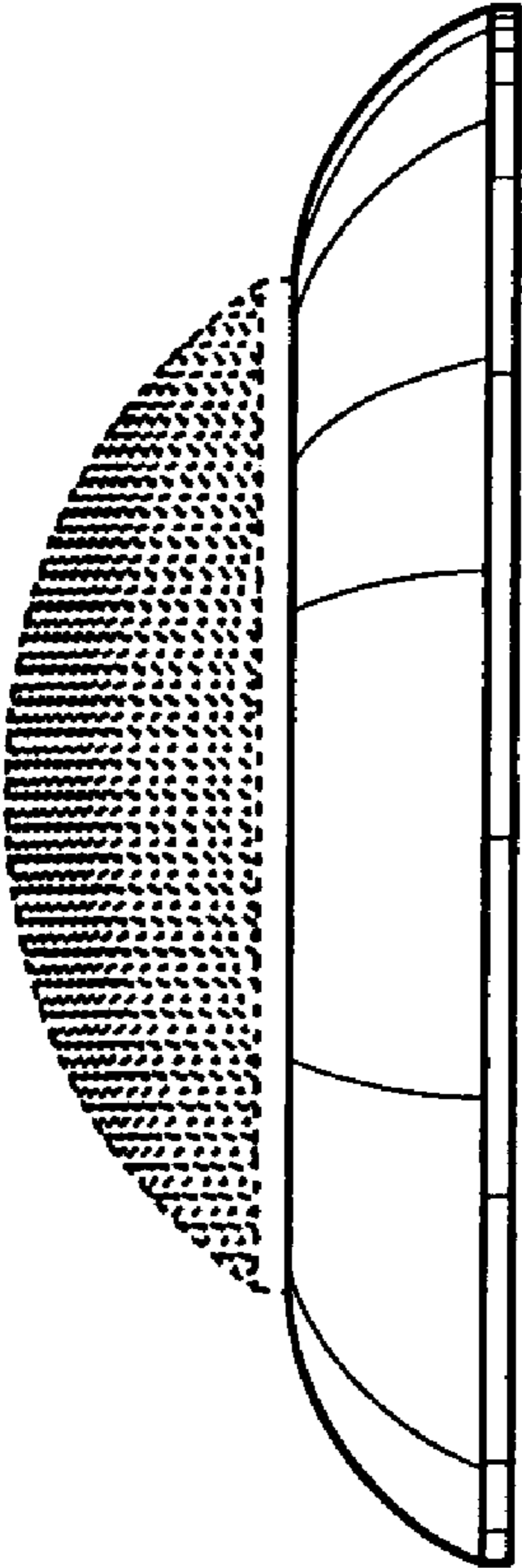


Fig. 5