



US00D564700S

(12) **United States Design Patent**  
**Pu et al.**

(10) **Patent No.:** **US D564,700 S**  
(45) **Date of Patent:** **\*\* Mar. 18, 2008**

(54) **SOLAR POWERED SPOTLIGHT**

D497,021 S \* 10/2004 Pu ..... D26/67  
D497,022 S \* 10/2004 Bucher et al. .... D26/67

(75) Inventors: **Mingqiang Pu**, Xinhua Town (CN);  
**Gregory G. Kuelbs**, Westlake, TX (US)

\* cited by examiner

(73) Assignee: **World Factory, Inc.**, Coppell, TX (US)

*Primary Examiner*—Freda S. Nunn

*Assistant Examiner*—Kevin K Rudzinski

(\*\*) Term: **14 Years**

(74) *Attorney, Agent, or Firm*—James E. Walton

(21) Appl. No.: **29/224,230**

(57) **CLAIM**

(22) Filed: **Feb. 25, 2005**

The ornamental design for a solar power spotlight, as shown and described.

**Related U.S. Application Data**

**DESCRIPTION**

(63) Continuation of application No. 10/959,263, filed on Oct. 6, 2004.

FIG. 1 is a perspective view of the solar powered spotlight according to the present invention.

(51) **LOC (8) Cl.** ..... **26-99**

FIG. 2 is a front view of the solar powered spotlight according to the present invention.

(52) **U.S. Cl.** ..... **D26/138**

FIG. 3 is a right side view of the solar powered spotlight according to the present invention.

(58) **Field of Classification Search** ..... D26/67,  
D26/68, 51, 76, 93, 113, 118, 120, 138, 142,  
D26/153, 78; 136/244; D13/102; 362/1,  
362/2, 609, 615, 617, 623, 560, 514, 181,  
362/269, 301, 349

See application file for complete search history.

FIG. 4 is a left side view of the solar powered spotlight according to the present invention.

FIG. 5 is a rear view of the solar powered spotlight according to the present invention.

(56) **References Cited**

FIG. 6 is a top view of the solar powered spotlight according to the present invention; and,

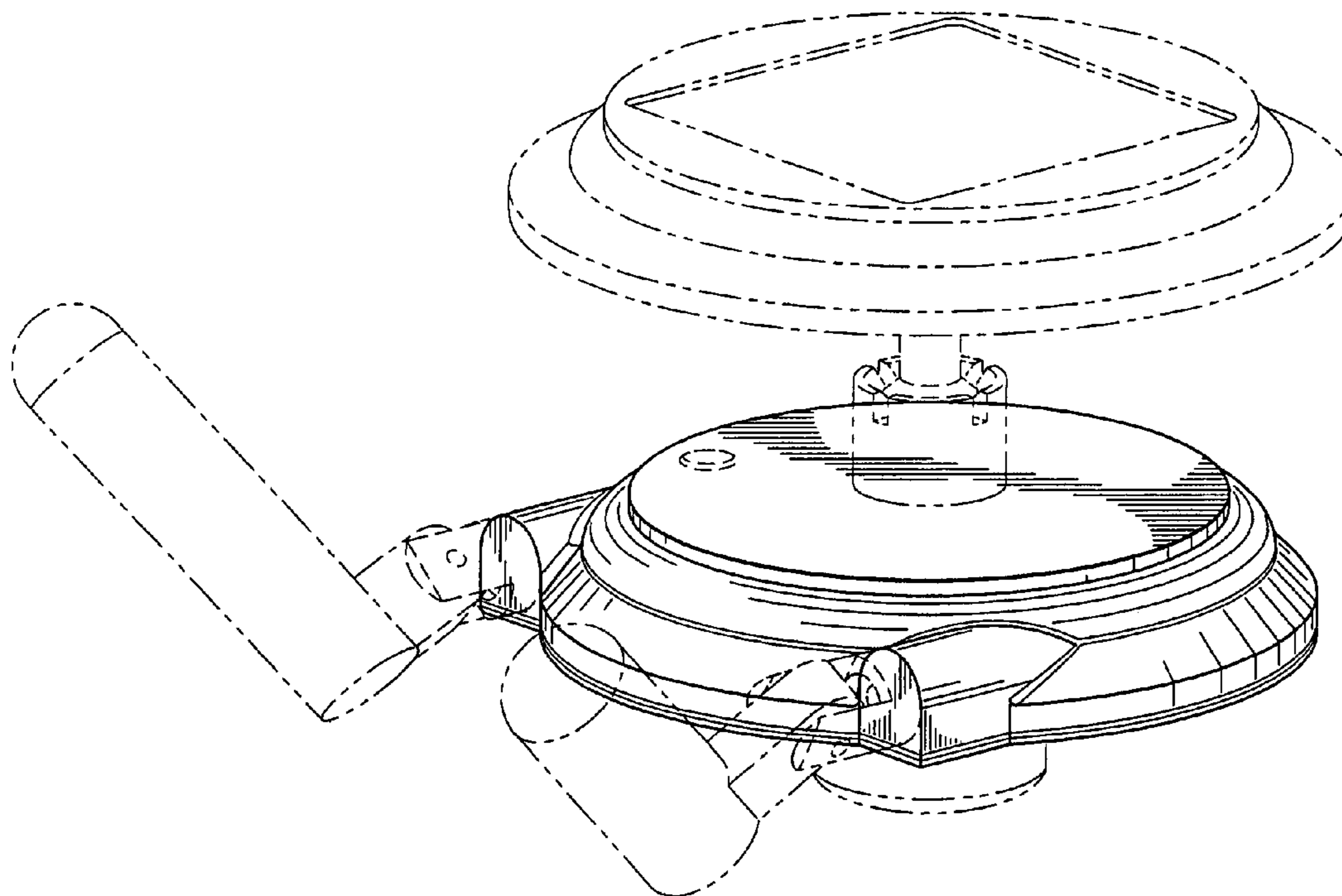
**U.S. PATENT DOCUMENTS**

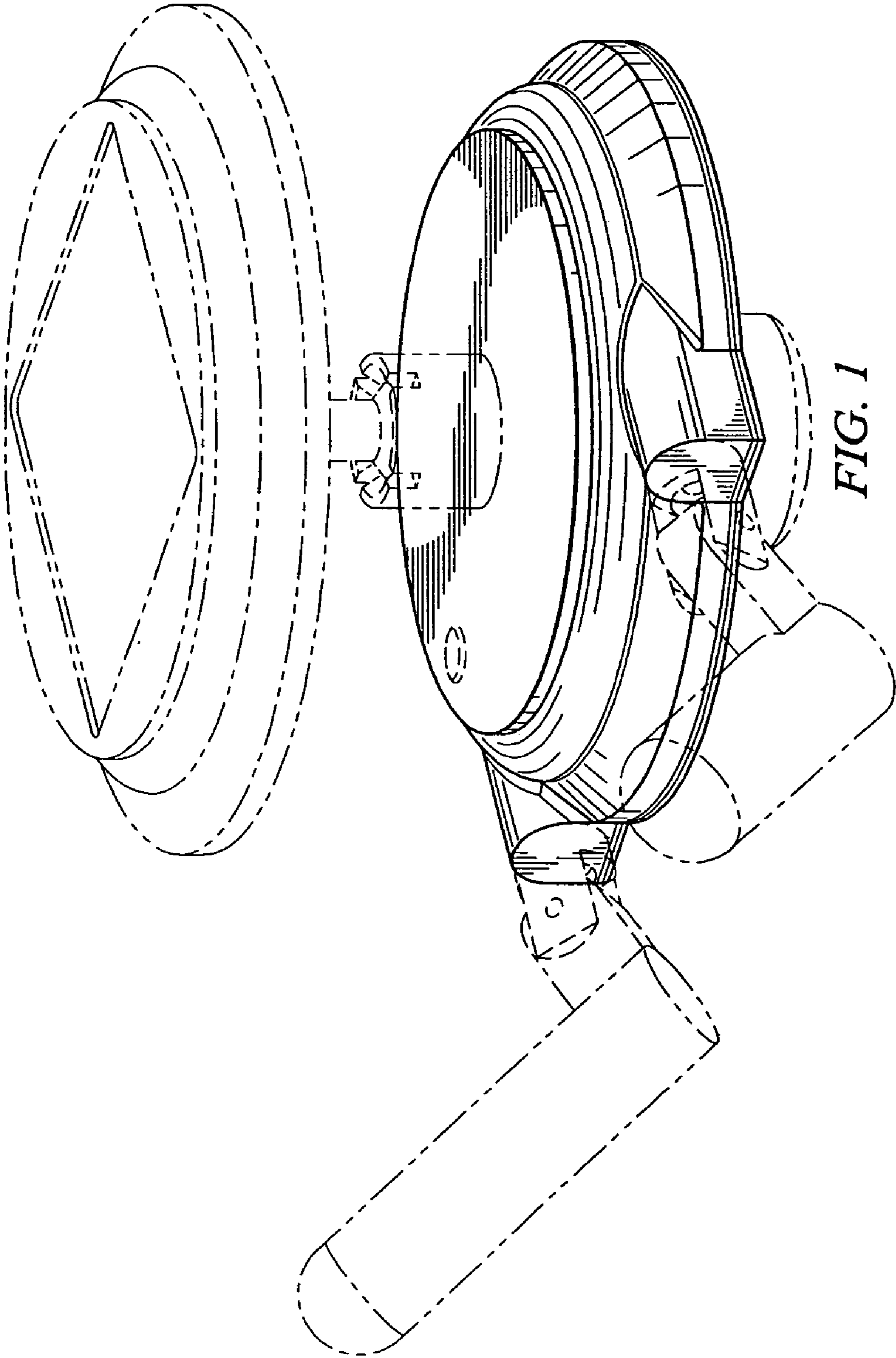
FIG. 7 is a bottom view of the solar powered spotlight according to the present invention.

D310,511 S \* 9/1990 Bedocs et al. .... D13/133  
D330,777 S \* 11/1992 Hall et al. .... D26/68  
D366,222 S \* 1/1996 Sandell et al. .... D10/106  
D456,547 S \* 4/2002 Leen ..... D26/67  
D464,456 S \* 10/2002 Chang ..... D26/67  
D494,536 S \* 8/2004 Pu ..... D13/102

The broken lines shown in FIGS. 1-5 are for illustrative purposes only and form no part of the claimed design.

**1 Claim, 3 Drawing Sheets**





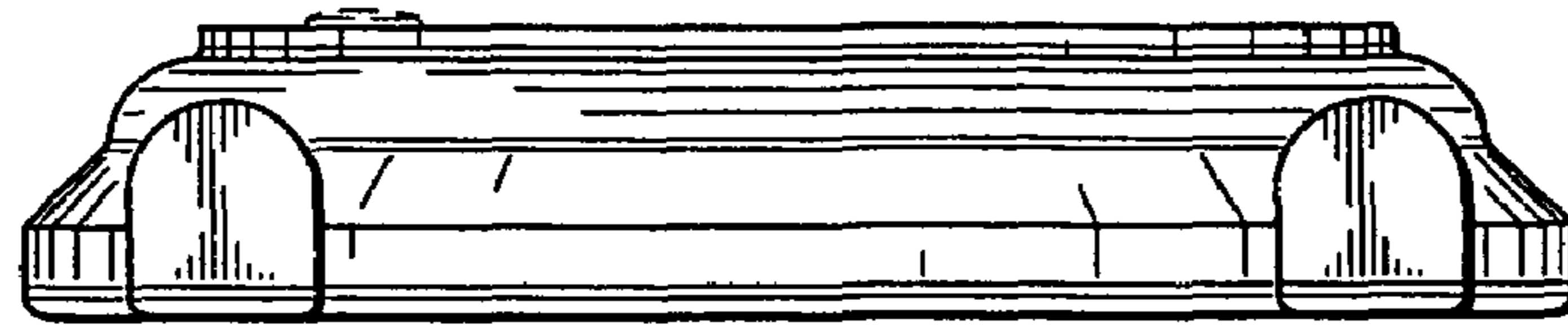


FIG. 2

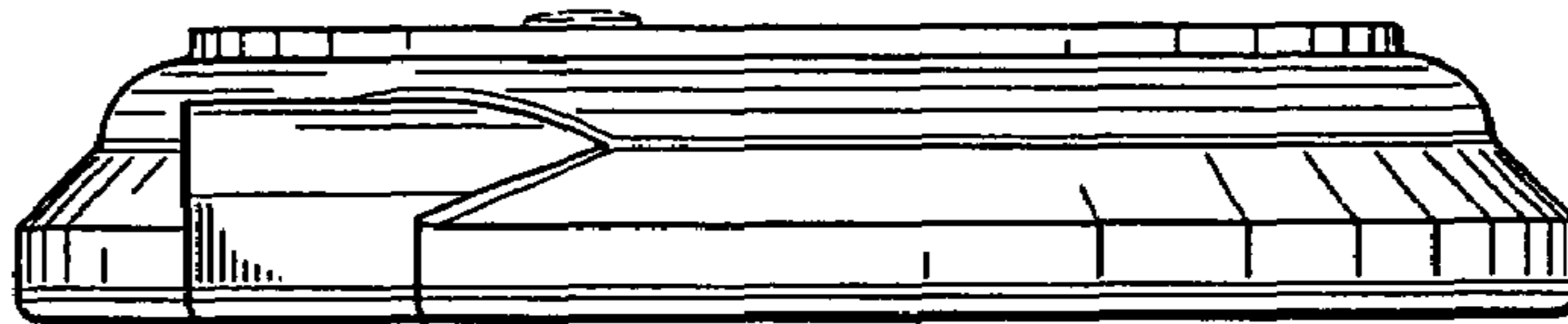


FIG. 3

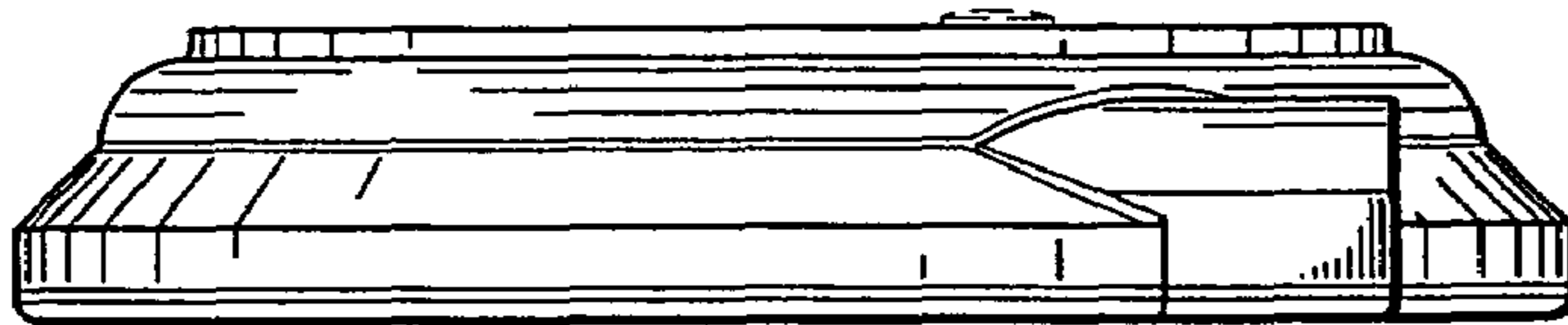


FIG. 4

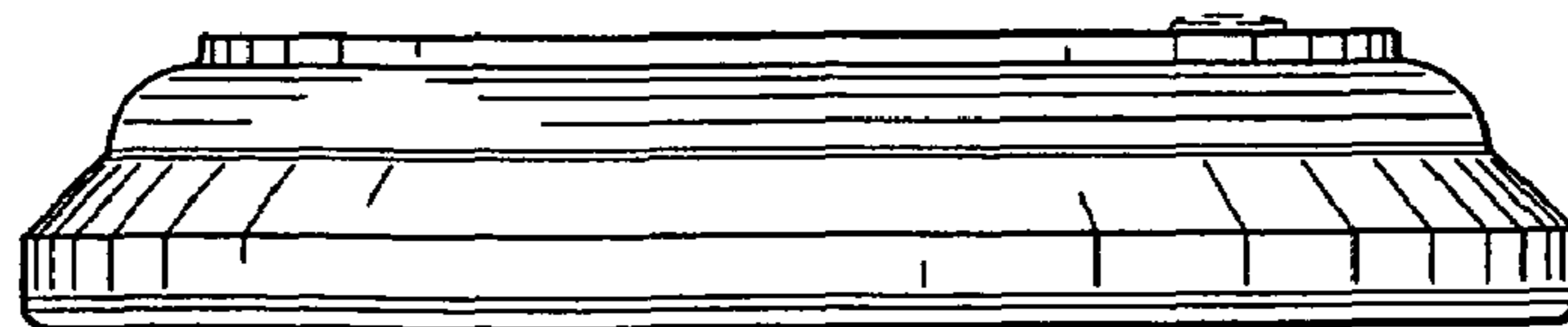
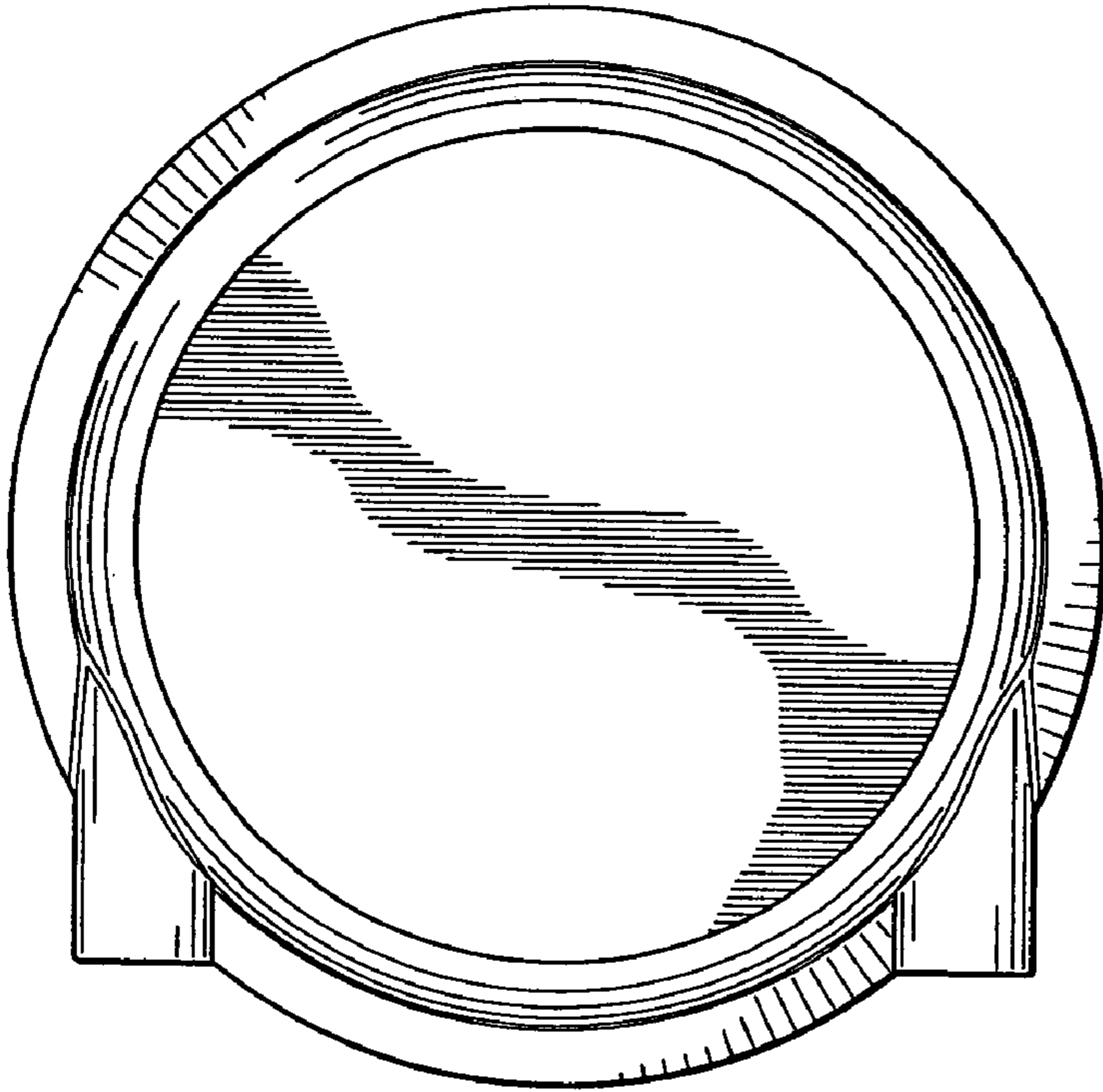
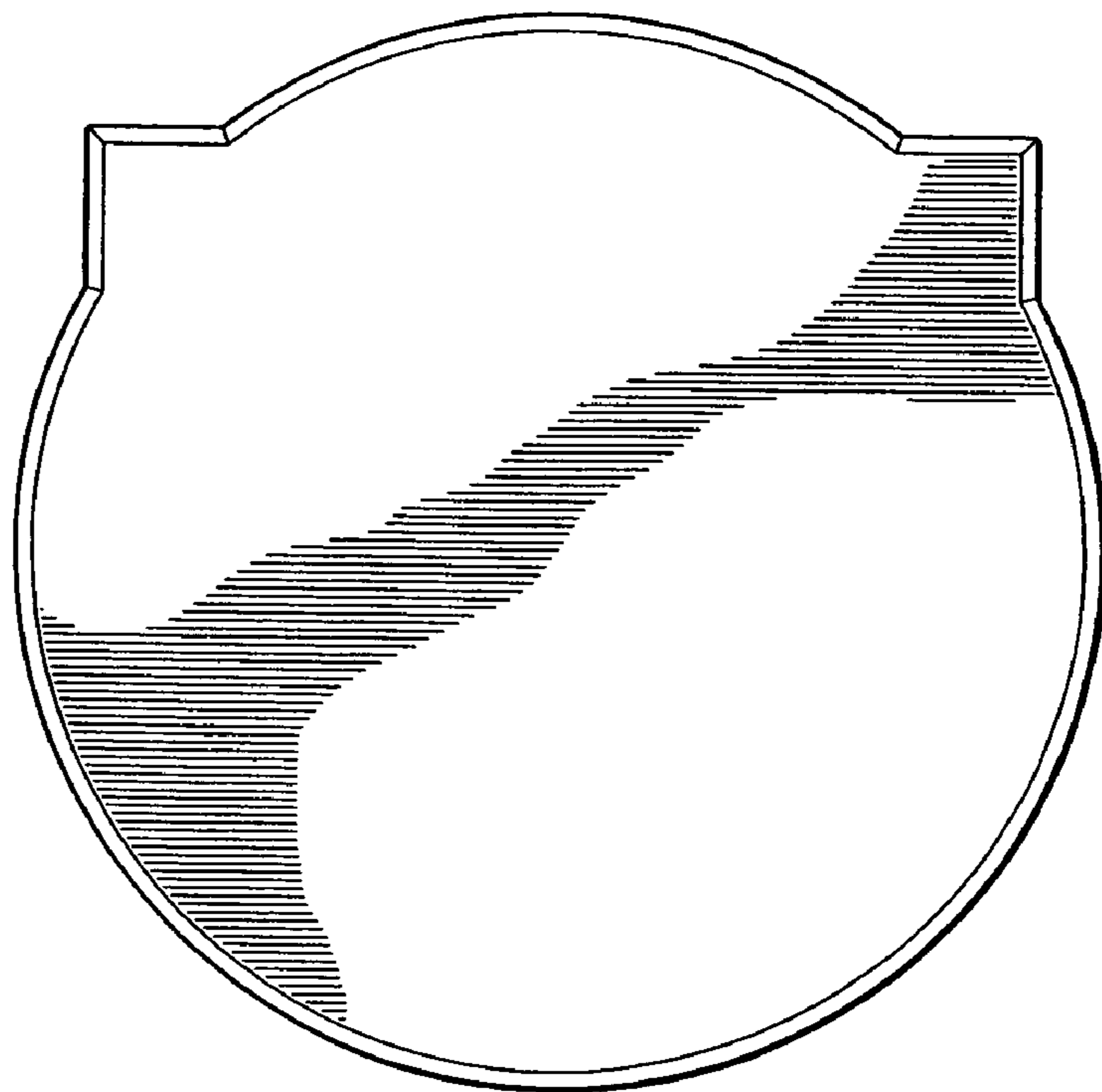


FIG. 5



*FIG. 6*



*FIG. 7*