



US00D564699S

(12) **United States Design Patent**
Nakashima et al.

(10) **Patent No.:** **US D564,699 S**
(45) **Date of Patent:** **** Mar. 18, 2008**

(54) **LOW PROFILE LIGHT SOURCE**
(75) Inventors: **Takehito Nakashima**, Motosu-shi (JP);
Hironori Taguchi, Motosu-shi (JP)
(73) Assignee: **LECIP Corporation**, Gifu (JP)

JP 2002-237258 8/2002
JP 2003-031182 1/2003
JP 2003-011611 1/2005
JP 2005-011611 1/2005
JP 2005-011772 1/2005
JP 2005-85592 3/2005

(**) Term: **14 Years**

* cited by examiner

(21) Appl. No.: **29/232,934**

Primary Examiner—Cathron Brooks
Assistant Examiner—Kevin K Rudzinski

(22) Filed: **Jun. 27, 2005**

(74) *Attorney, Agent, or Firm*—Harness, Dickey & Pierce,
P.L.C.

(51) **LOC (8) Cl.** **26-99**
(52) **U.S. Cl.** **D26/120**
(58) **Field of Classification Search** D26/144,
D26/72, 77, 85, 86, 109, 113, 118, 120, 121,
D26/128; 345/206, 102; 349/62, 58; 362/6,
362/610, 613

See application file for complete search history.

(57) **CLAIM**

The ornamental design for a low profile light source, as shown and described.

(56) **References Cited**

DESCRIPTION

U.S. PATENT DOCUMENTS

FIG. 1 is a top, front perspective view of a low profile light source showing our new design;

FIG. 2 is a bottom, rear perspective view thereof;

FIG. 3 is a front view thereof;

FIG. 4 is a rear view thereof;

FIG. 5 is a top plan view thereof;

FIG. 6 is a bottom plan view thereof;

FIG. 7 is a right side view thereof;

FIG. 8 is a left side view thereof;

FIG. 9 is a cross-sectional view taken along line 9—9 of FIG. 5; and,

FIG. 10 is a cross-sectional view taken along line 10—10 of FIG. 5.

The wire-like elements, in FIGS. 1–6, are shown having indeterminate length.

D328,149 S * 7/1992 Roberts D26/64
5,375,005 A * 12/1994 Komano 349/58
5,560,698 A * 10/1996 Okano 362/609
5,666,172 A * 9/1997 Ida et al. 349/58
5,729,310 A * 3/1998 Horiuchi et al. 349/62
5,838,400 A * 11/1998 Ueda et al. 349/58
5,946,061 A * 8/1999 Kurihara et al. 349/58
5,947,578 A * 9/1999 Ayres 362/629
6,016,175 A * 1/2000 Kim 349/58
6,064,455 A * 5/2000 Kim 349/113
D445,922 S * 7/2001 Yasuoka D26/1
6,685,328 B1 * 2/2004 Hanson et al. 362/610
6,762,806 B1 * 7/2004 Matsuo et al. 349/58

FOREIGN PATENT DOCUMENTS

JP 11-307051 5/1999
JP 11-307051 11/1999
JP 2002-237256 8/2002

1 Claim, 8 Drawing Sheets

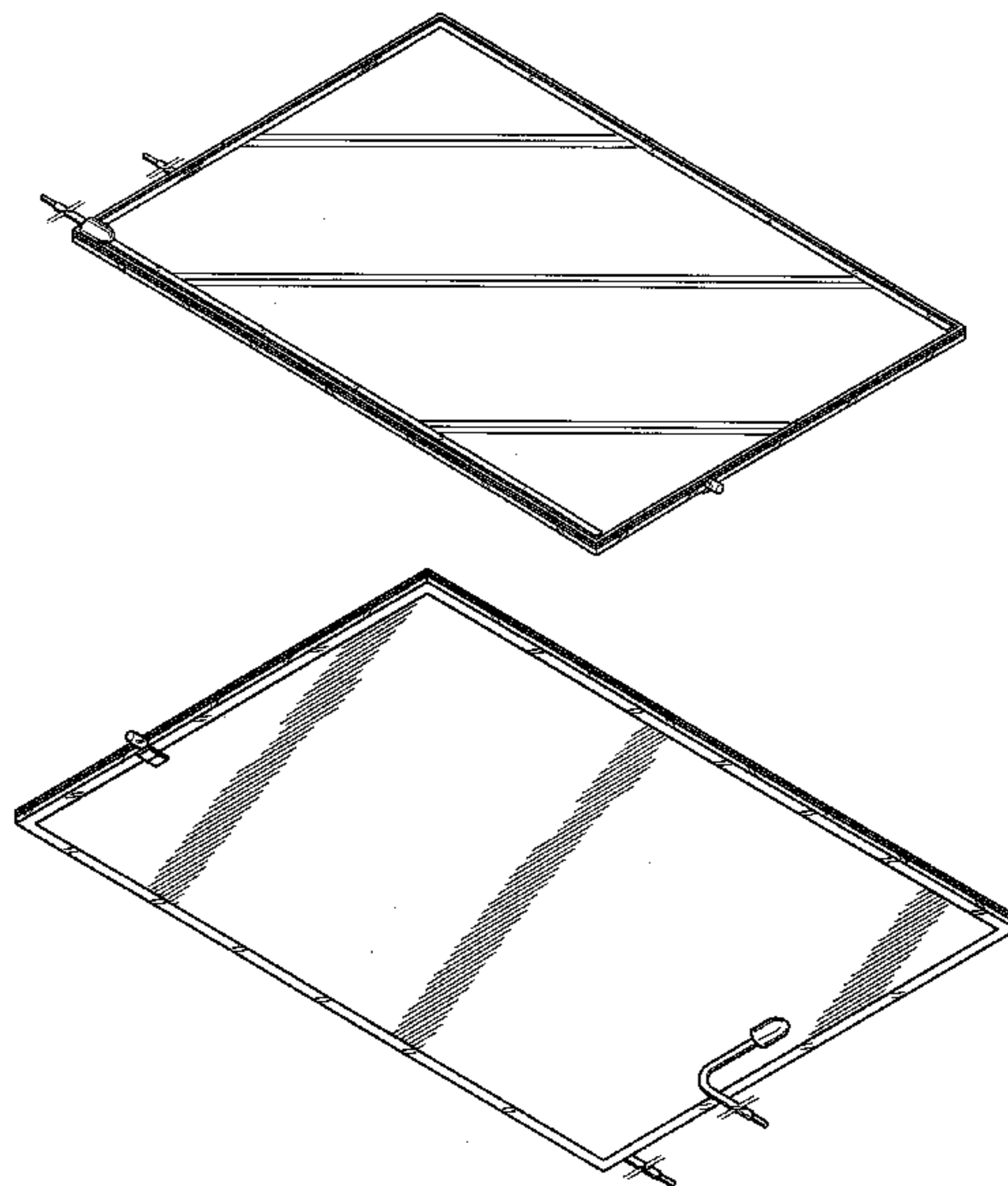


FIG. 1

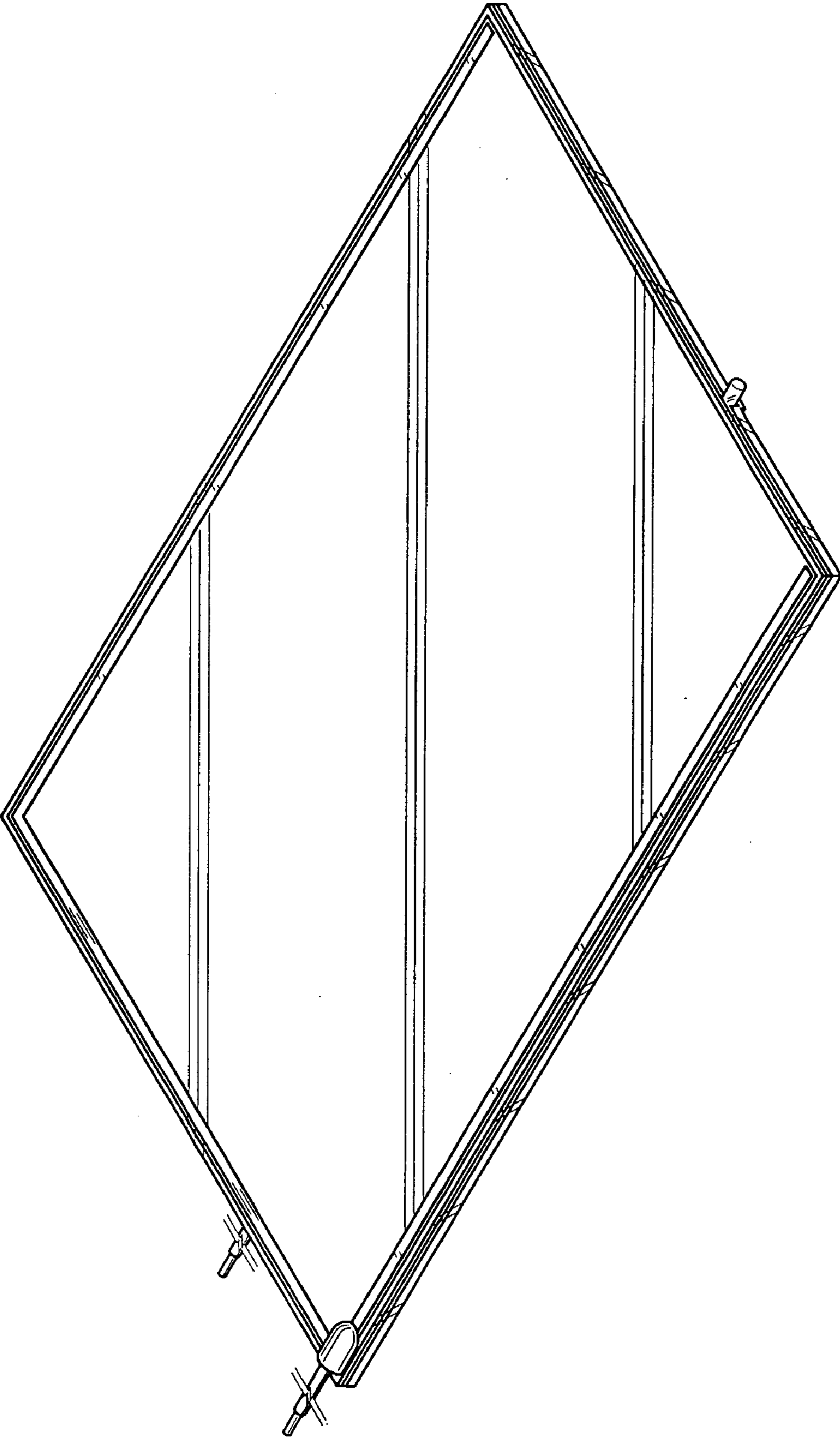


FIG. 2

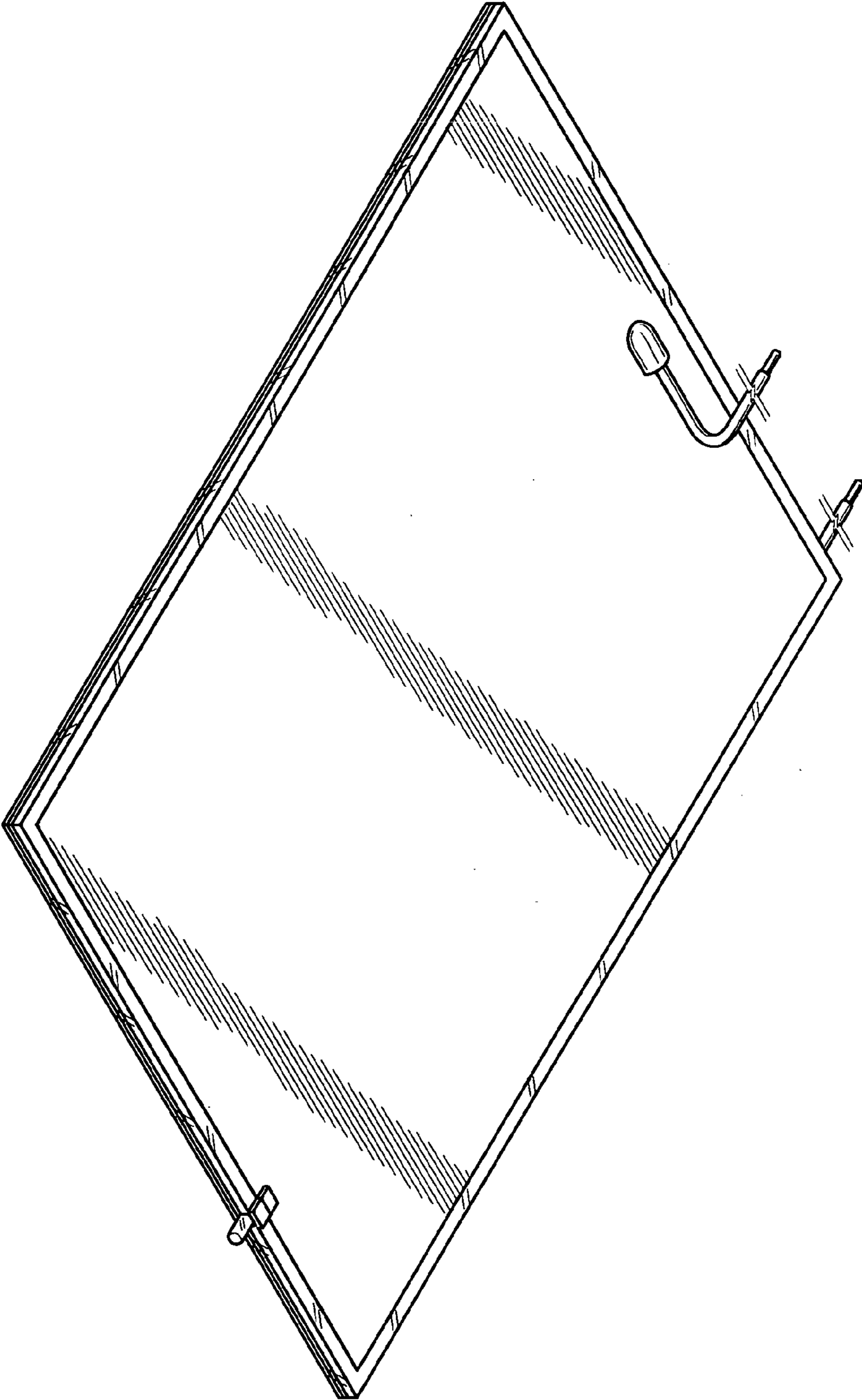


FIG. 3

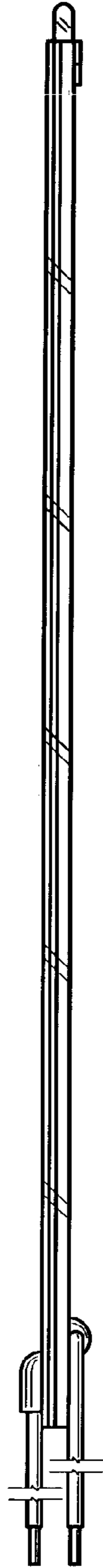


FIG. 4

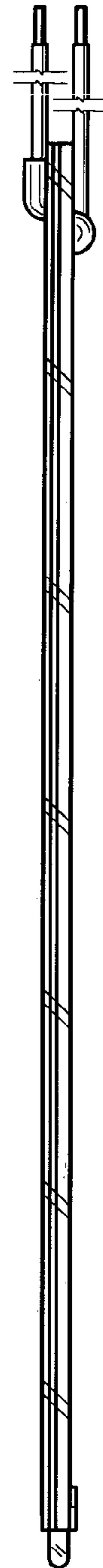


FIG. 5

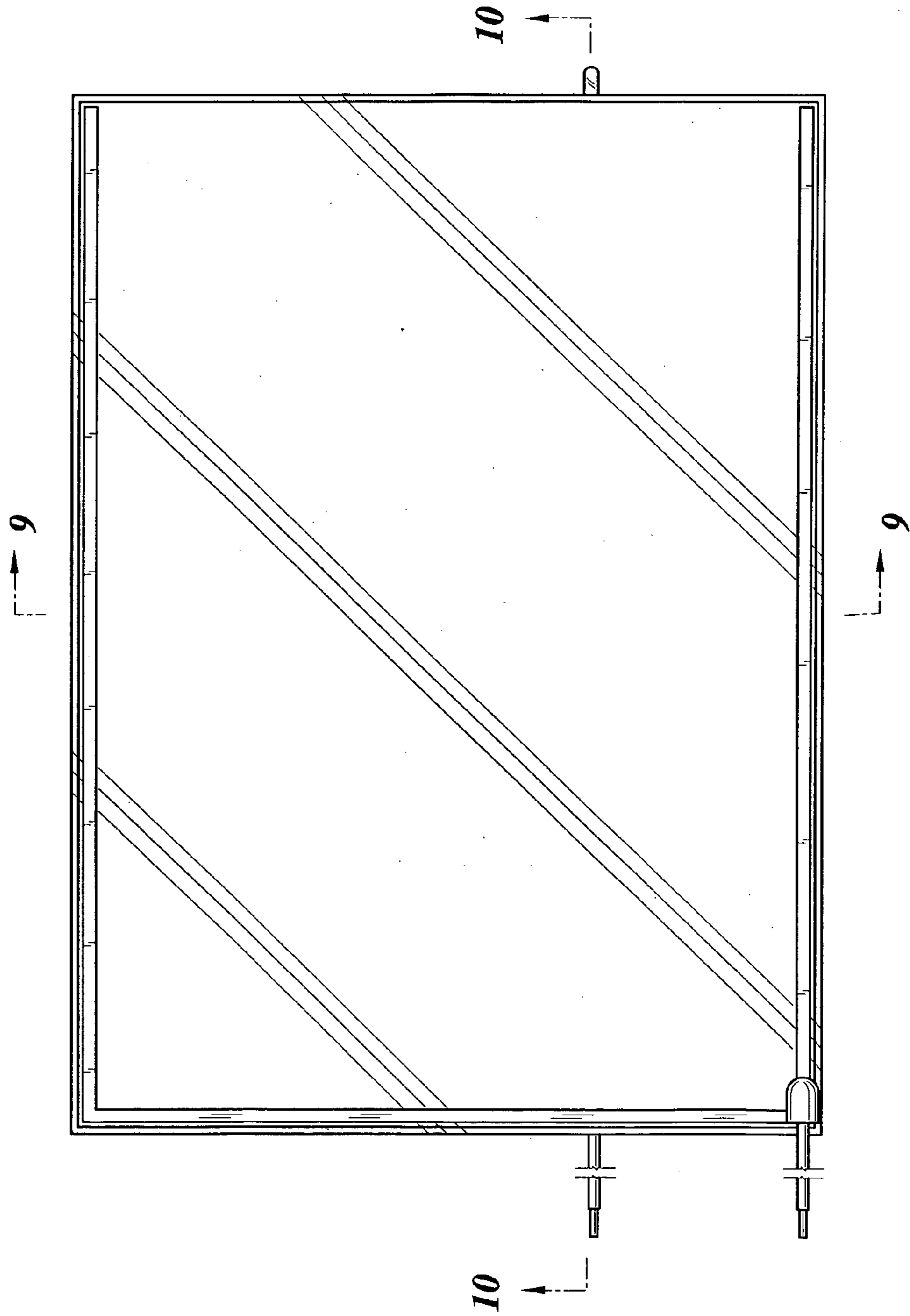


FIG. 6

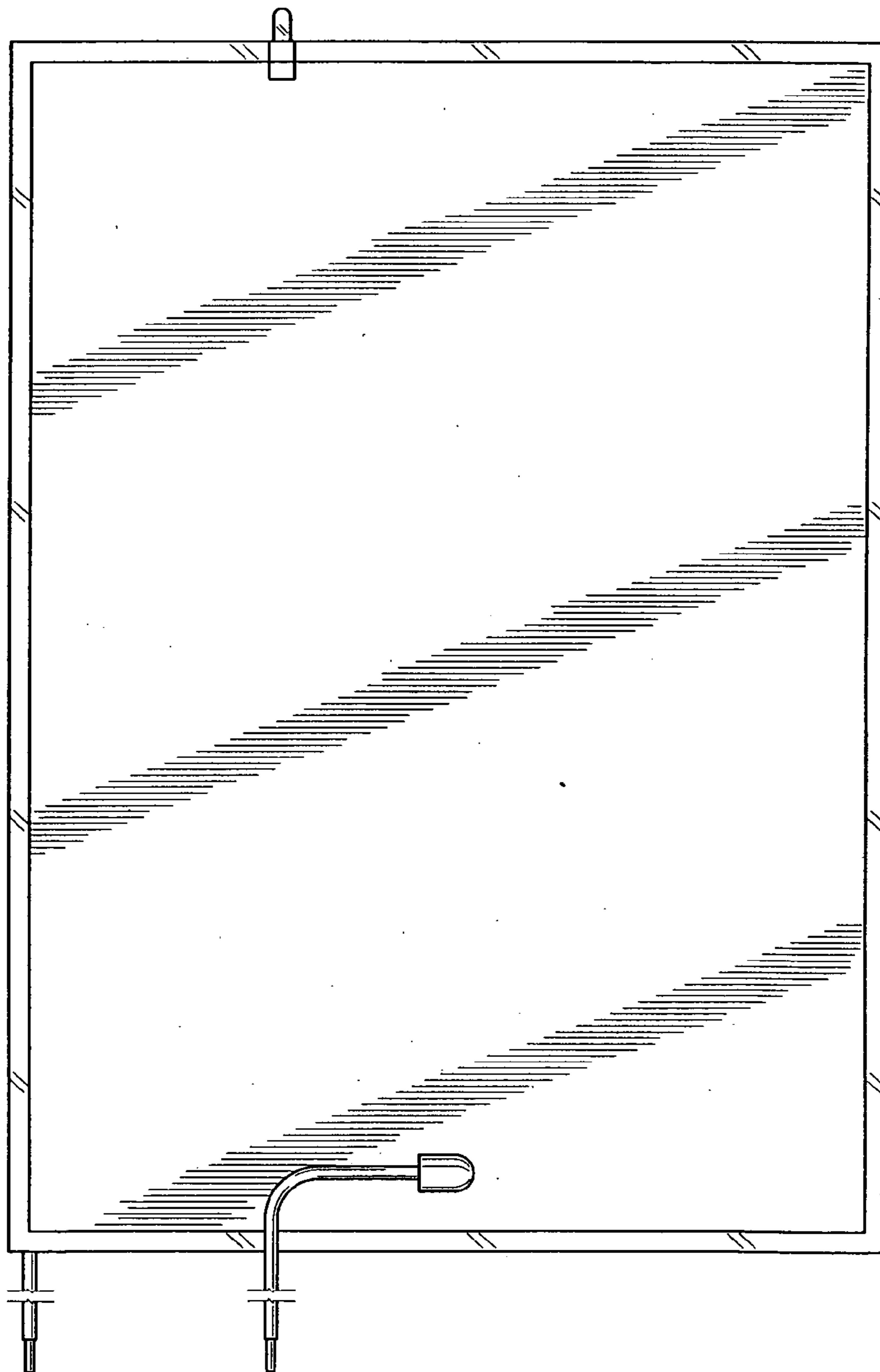


FIG. 7



FIG. 8



FIG. 9



FIG. 10

