



US00D564698S

(12) **United States Design Patent**
Homann

(10) **Patent No.:** **US D564,698 S**
(45) **Date of Patent:** **** Mar. 18, 2008**

(54) **LIGHTING FIXTURE**

(75) Inventor: **Alfred Homann**, Hellerûp (DK)

(73) Assignee: **Louis Poulsen Lighting, Inc.**, Ft. Lauderdale, FL (US)

(**) Term: **14 Years**

(21) Appl. No.: **29/253,733**

(22) Filed: **Feb. 13, 2006**

(51) **LOC (8) Cl.** **26-99**

(52) **U.S. Cl.** **D26/118**

(58) **Field of Classification Search** D26/72,
D26/63, 85, 28, 124, 118, 65, 60, 40, 41,
D26/42, 80, 87, 68, 67, 37, 49, 74, 77, 86,
D26/88, 89, 93, 103, 104, 105, 113, 114,
D26/119, 122, 123, 128, 138, 142, 143, 152;
362/365, 96, 147, 151, 153, 217, 643, 654,
362/257, 290, 296, 297, 301, 302, 309, 317,
362/341, 342, 343, 347, 348, 349, 362, 364,
362/395, 404, 405, 410, 441; 126/258
See application file for complete search history.

(56) **References Cited**

U.S. PATENT DOCUMENTS

4,420,799 A * 12/1983 Miller 362/216
4,692,848 A * 9/1987 Poyer 362/216
D297,373 S * 8/1988 Joosten et al. D26/63
D315,420 S * 3/1991 Layne D26/63
D323,566 S * 1/1992 Woodgate D26/63
D324,219 S * 2/1992 Besasie D14/225

5,743,632 A * 4/1998 Carl 362/294
5,816,692 A * 10/1998 Cooper et al. 362/293
6,402,348 B1 * 6/2002 Ouellette et al. 362/296
D469,212 S * 1/2003 Chiu D26/118
D487,320 S * 3/2004 Huang D26/28
D487,817 S * 3/2004 Benghozi D26/118
6,899,444 B1 * 5/2005 Biber et al. 362/345

* cited by examiner

Primary Examiner—Freda S. Nunn

Assistant Examiner—Kevin K Rudzinski

(74) *Attorney, Agent, or Firm*—Cermak Kenealy & Vaidya LLP; Ajit J. Vaidya

(57) **CLAIM**

The ornamental design for a lighting fixture, as shown and described.

DESCRIPTION

FIG. 1 is a perspective view of the lighting fixture;

FIG. 2 is a front view of the lighting fixture;

FIG. 3 is a back view of the lighting fixture;

FIG. 4 is a first side view of the lighting fixture;

FIG. 5 is a second side view of the lighting fixture;

FIG. 6 is a third side view of the lighting fixture; and,

FIG. 7 is a fourth side view of the lighting fixture.

The broken line showing of the rear of the lighting fixture is included for the purpose of illustration only and forms no part of the claimed design.

1 Claim, 6 Drawing Sheets

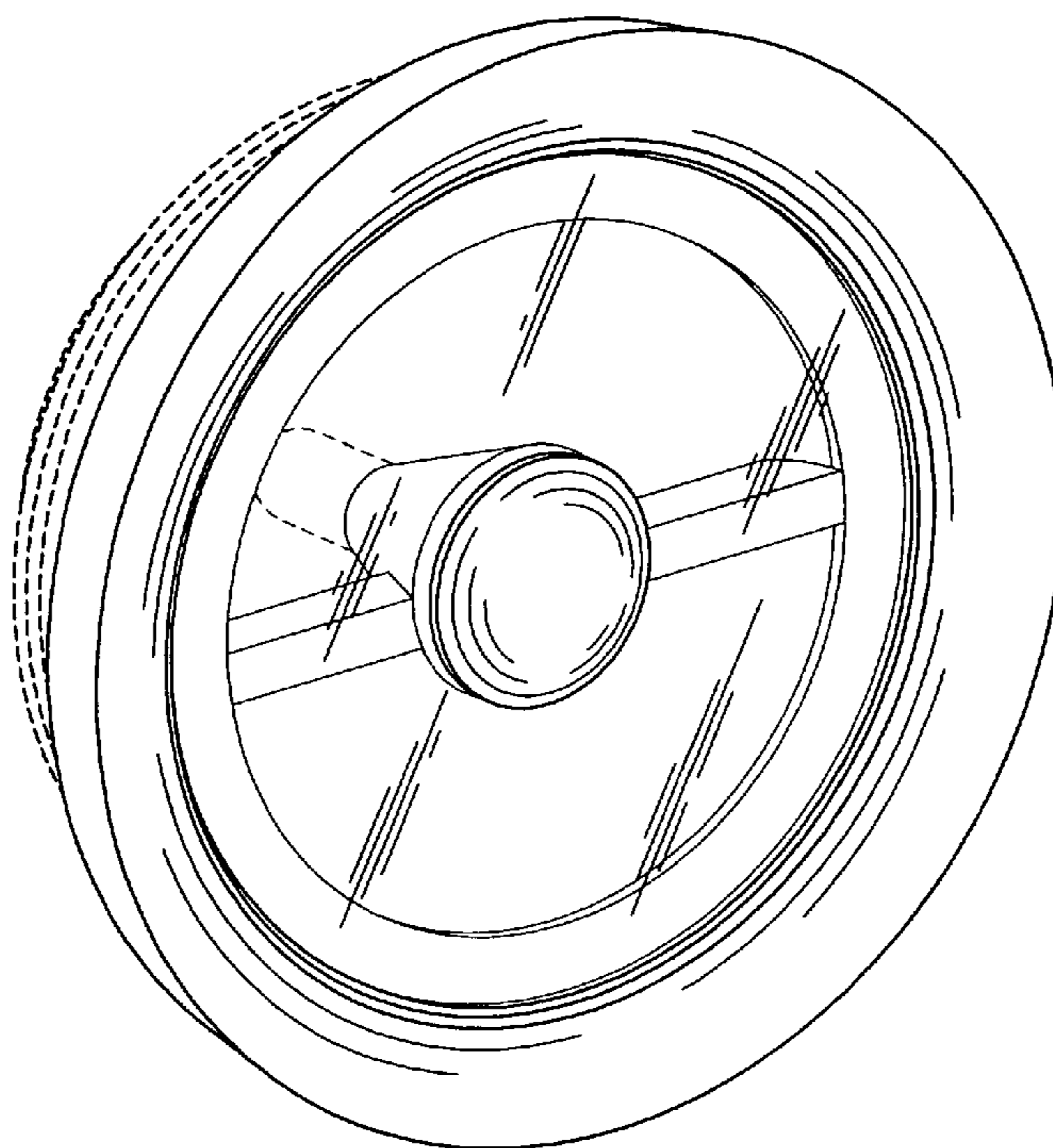


Fig. 1

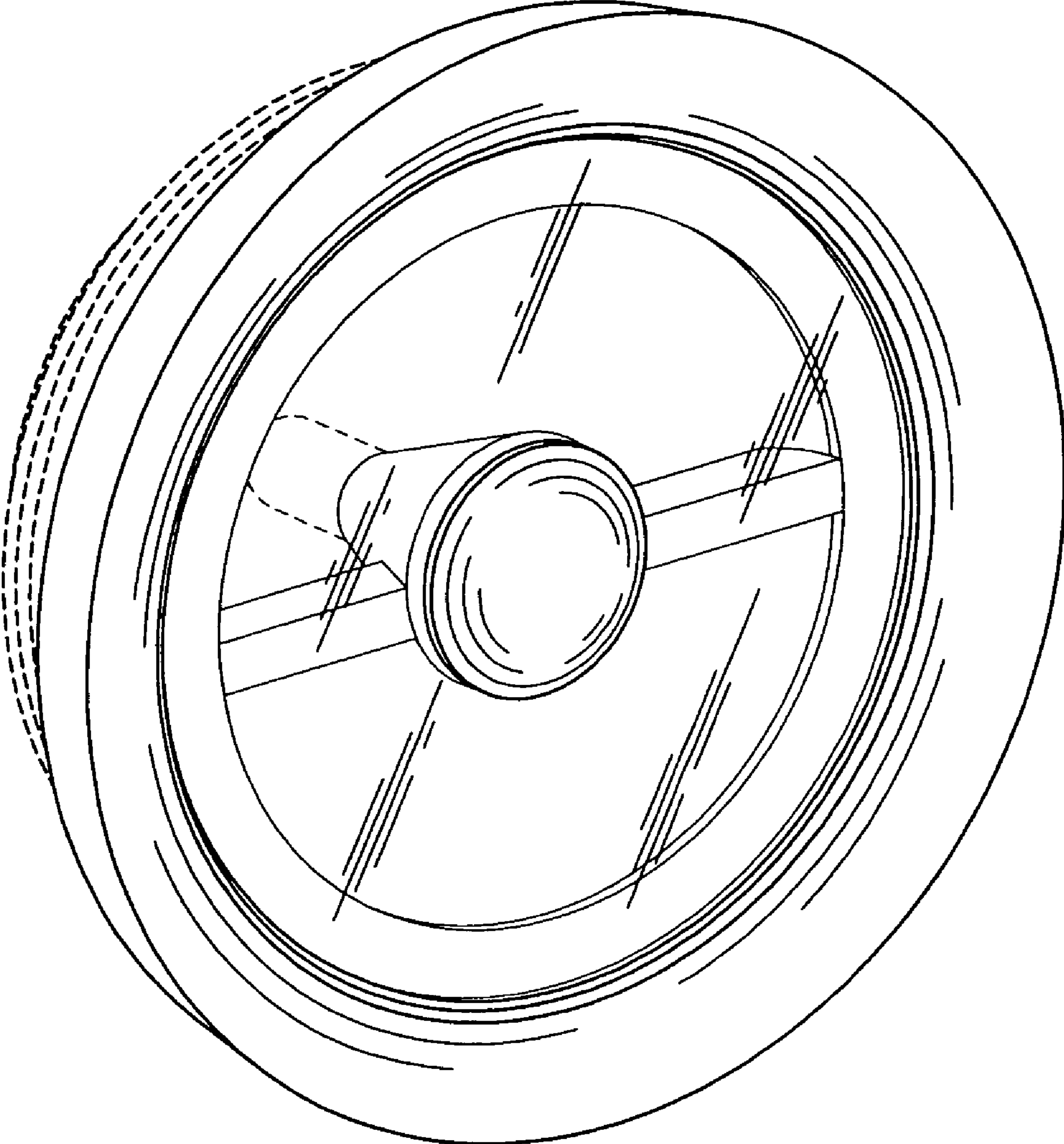


Fig. 2

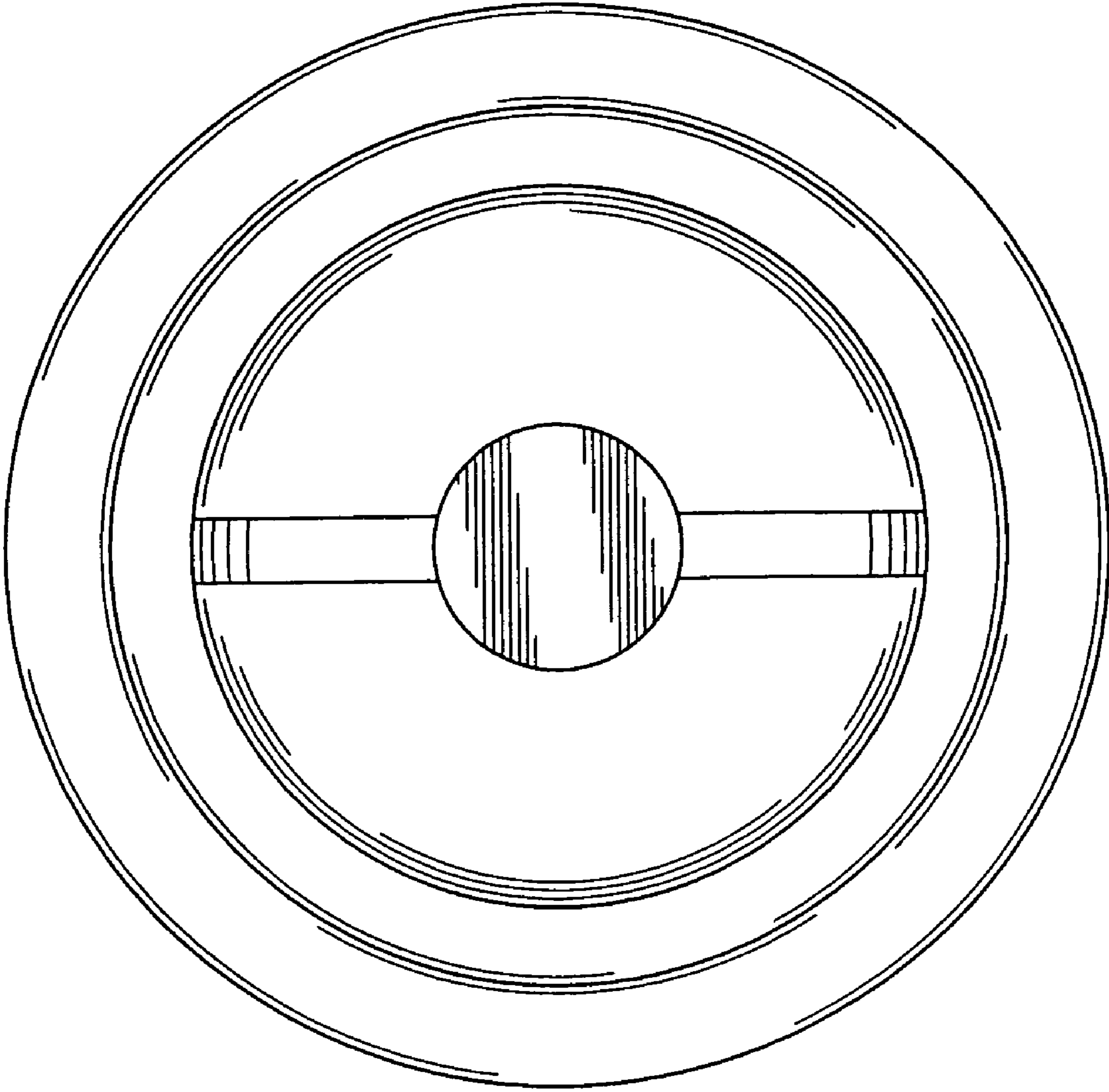


Fig. 3

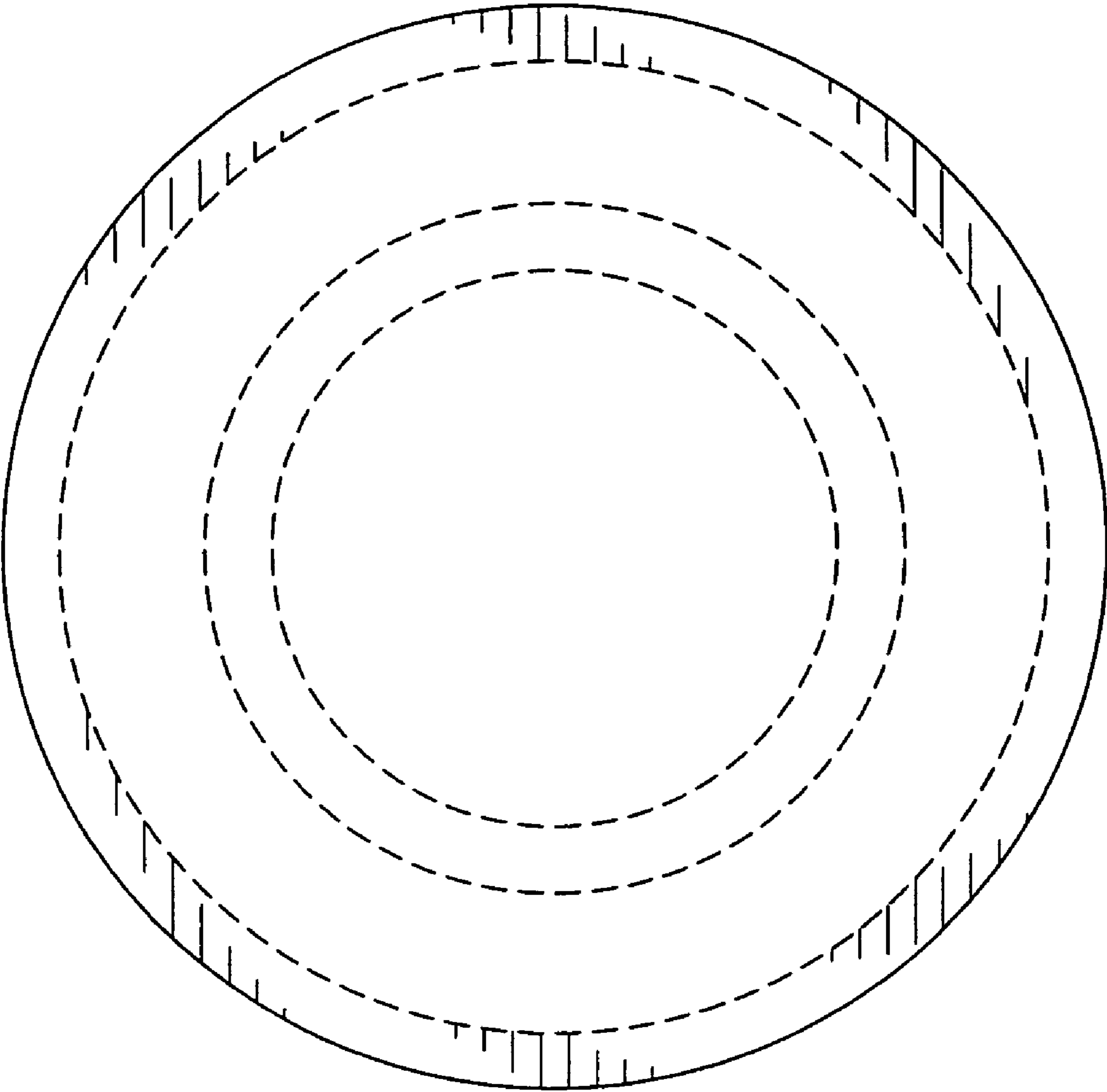


Fig. 4

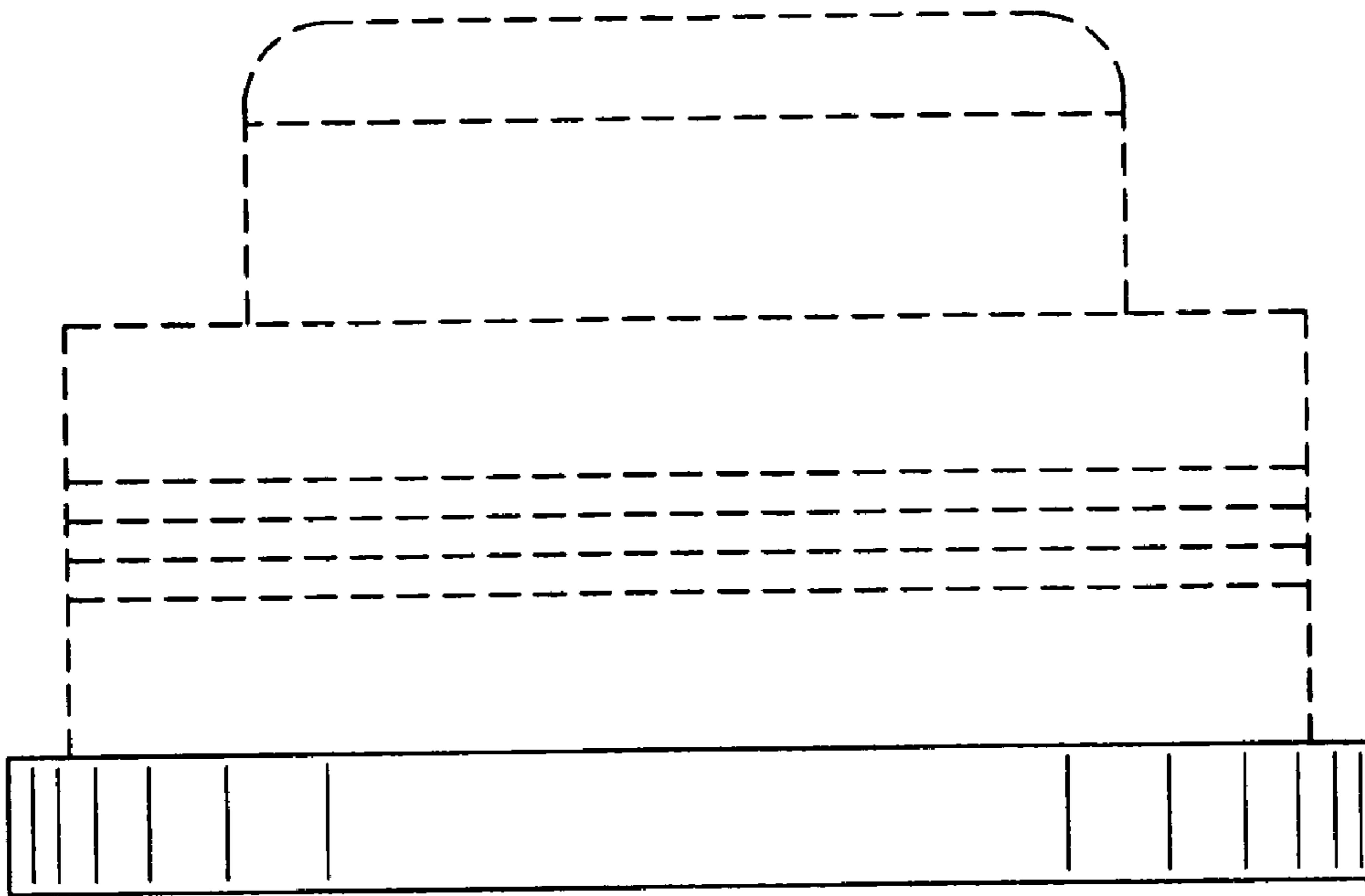


Fig. 5

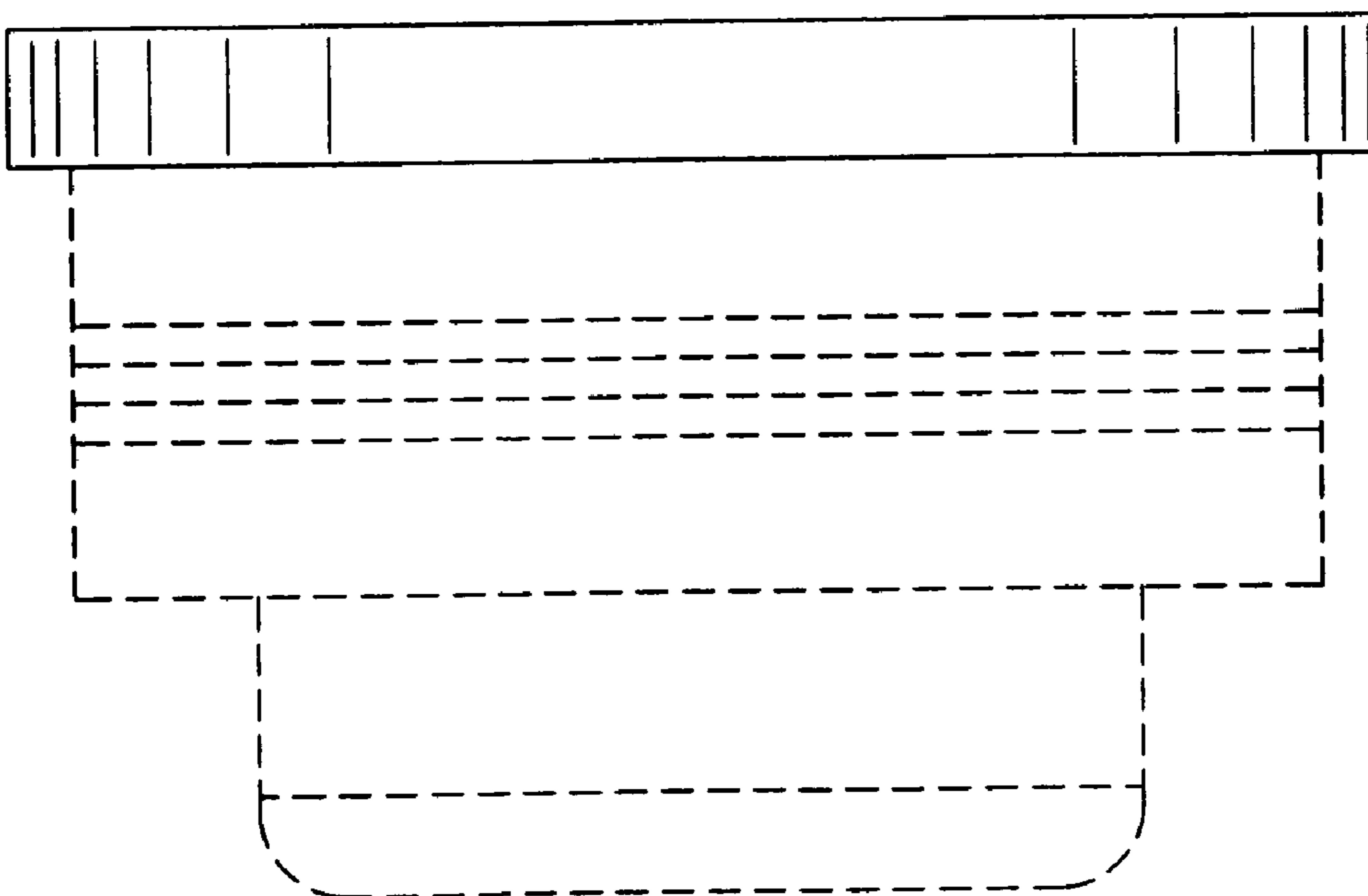


Fig. 6

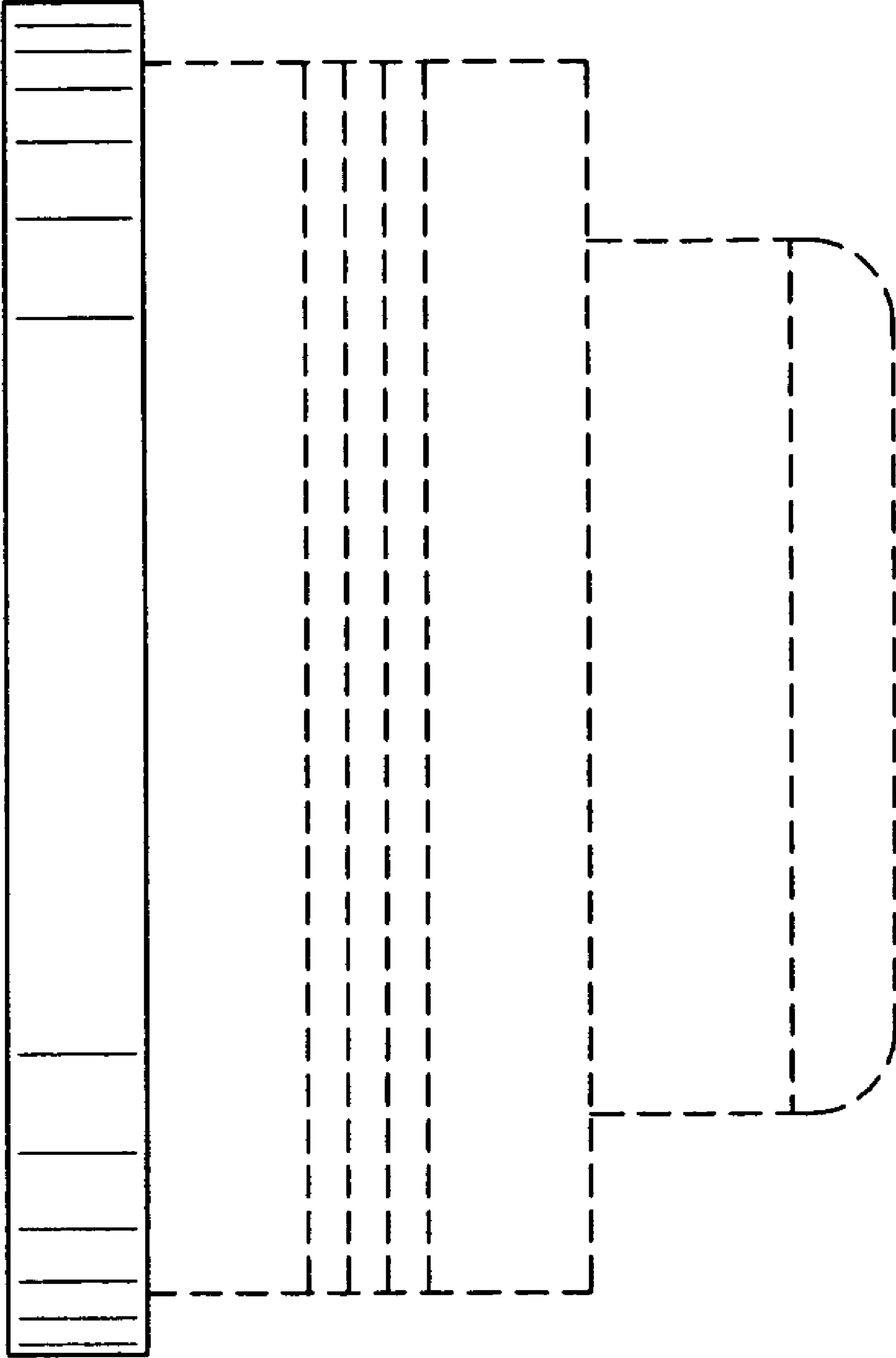


Fig. 7

