



US00D564695S

(12) **United States Design Patent**
Krause

(10) **Patent No.:** **US D564,695 S**

(45) **Date of Patent:** **** Mar. 18, 2008**

(54) **LAMP**

(76) Inventor: **Sierra Krause**, 204 N. Best Ave.,
Walnutport, PA (US) 18088

(**) Term: **14 Years**

(21) Appl. No.: **29/259,688**

(22) Filed: **May 12, 2006**

(51) **LOC (8) Cl.** **26-03**

(52) **U.S. Cl.** **D26/86; D26/85**

(58) **Field of Classification Search** D26/72,
D26/85, 88, 89; 362/147, 431, 432, 362
See application file for complete search history.

(56) **References Cited**

U.S. PATENT DOCUMENTS

D422,107 S	*	3/2000	Meier	D26/87
D456,932 S	*	5/2002	Crosby	D26/85
D480,494 S	*	10/2003	Targetti	D26/72
D519,667 S	*	4/2006	Zucker	D26/85

OTHER PUBLICATIONS

Item 2 from p. 304 of the IKEA 2005 catalog.*

Item 6 (TYFT wall lamp) from p. 305 of the 2005 IKEA catalog.*

Item 4521-FM from p. 122 of the Frederick Ramond 1991 catalog.*

* cited by examiner

Primary Examiner—Clare E Heflin

(74) *Attorney, Agent, or Firm*—The Martinez Group PLLC;
Mark Sgantzos

(57) **CLAIM**

The ornamental design for a lamp, as shown and described.

DESCRIPTION

FIG. 1 is a front perspective of the lamp in accordance with the presently disclosed design;

FIG. 2 is a Front view thereof;

FIG. 3 is Back view thereof;

FIG. 4 is a Left Side view thereof;

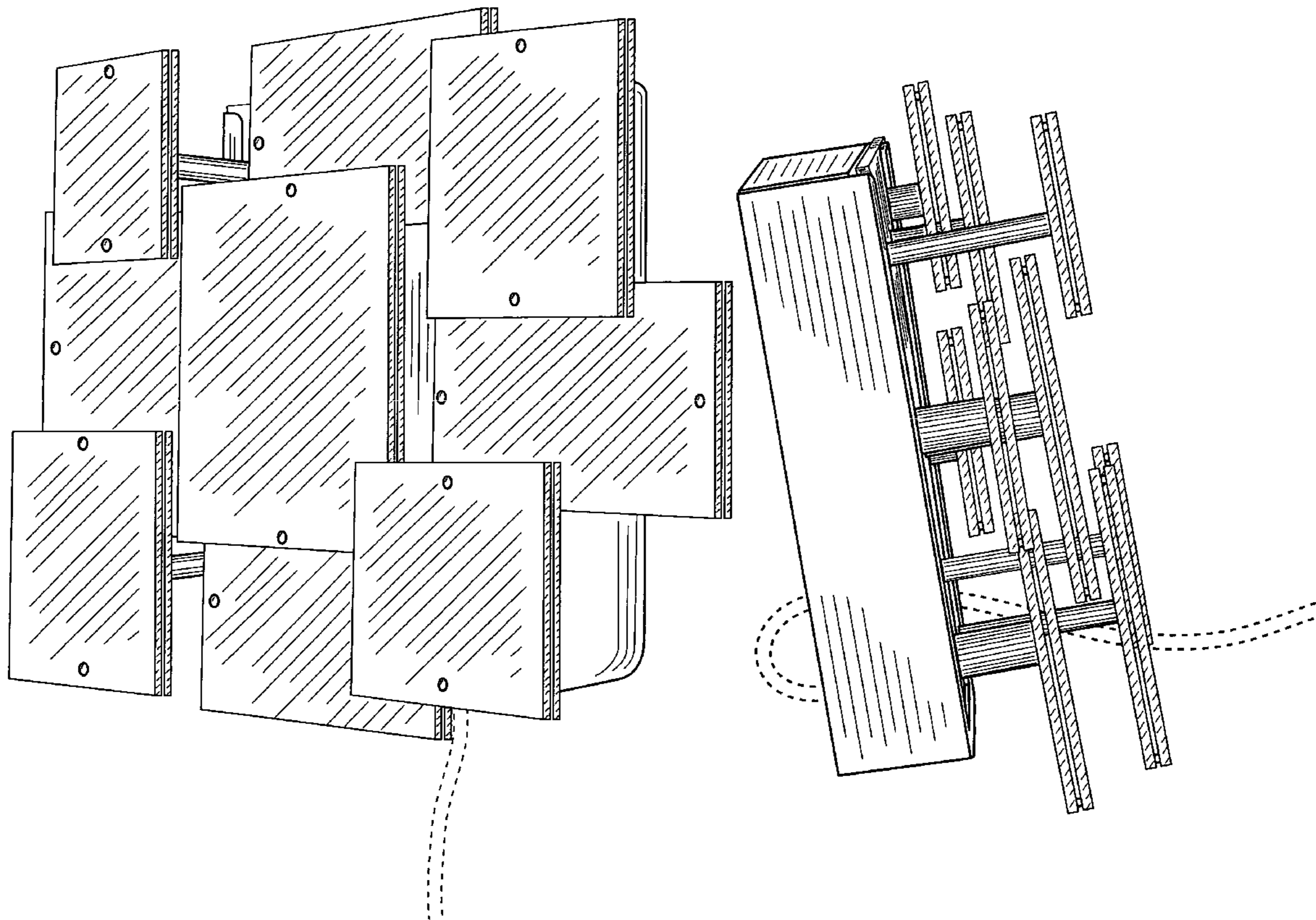
FIG. 5 is a Right Side view thereof;

FIG. 6 is a Top view thereof; and,

FIG. 7 is a Bottom view thereof.

The broken lines shown on the drawings are for illustrative purposes only and form no part of the claimed design.

1 Claim, 7 Drawing Sheets



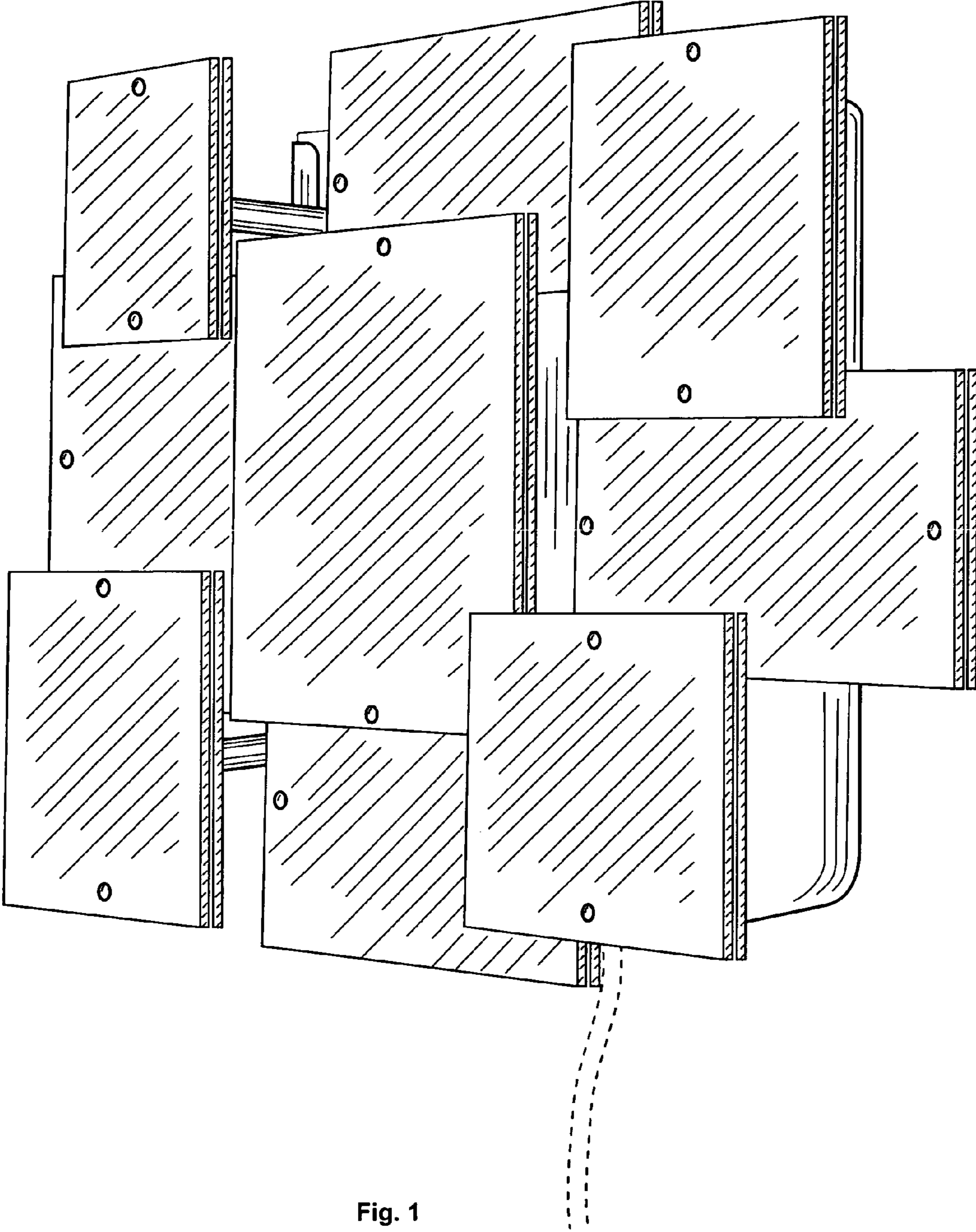


Fig. 1

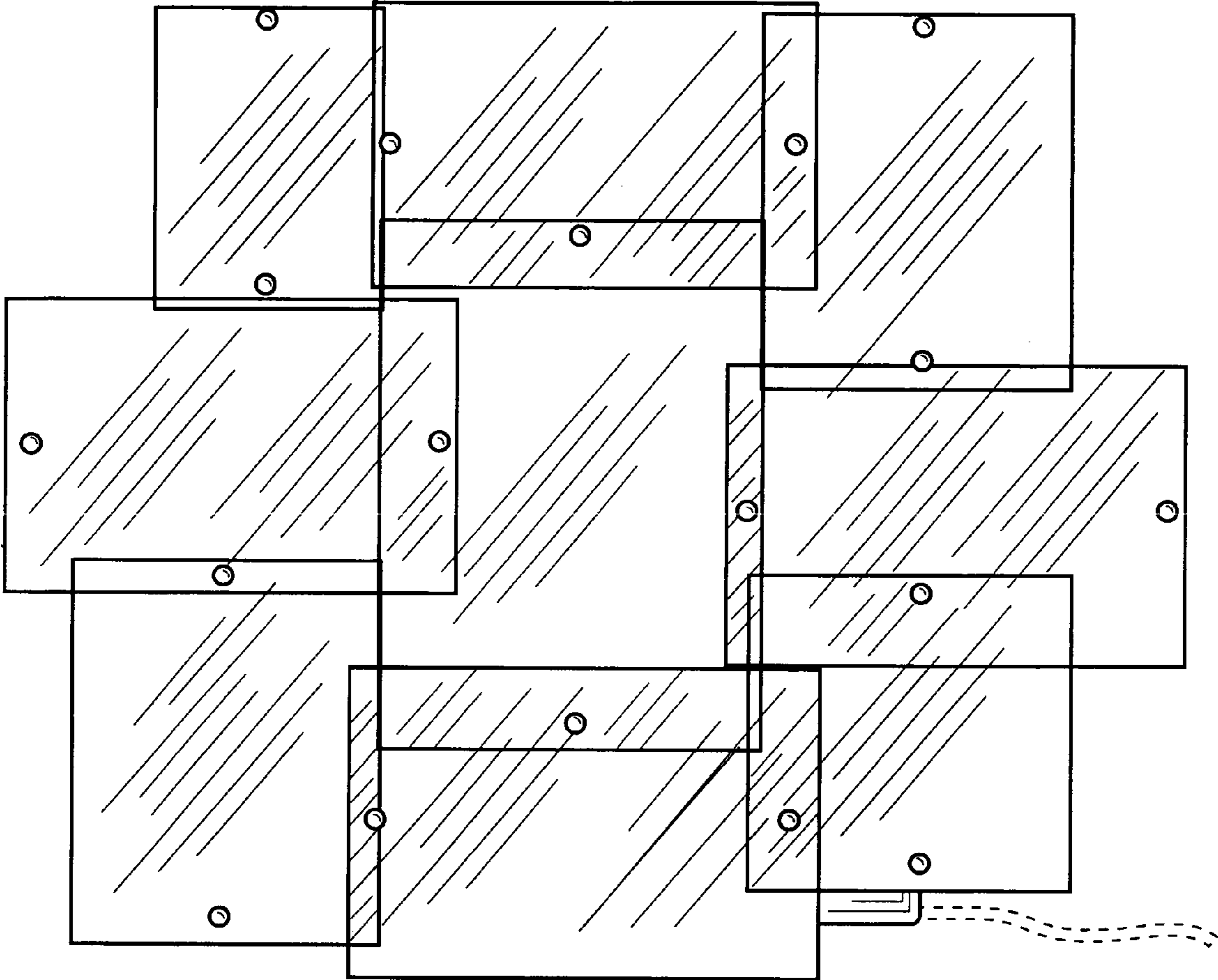


Fig. 2

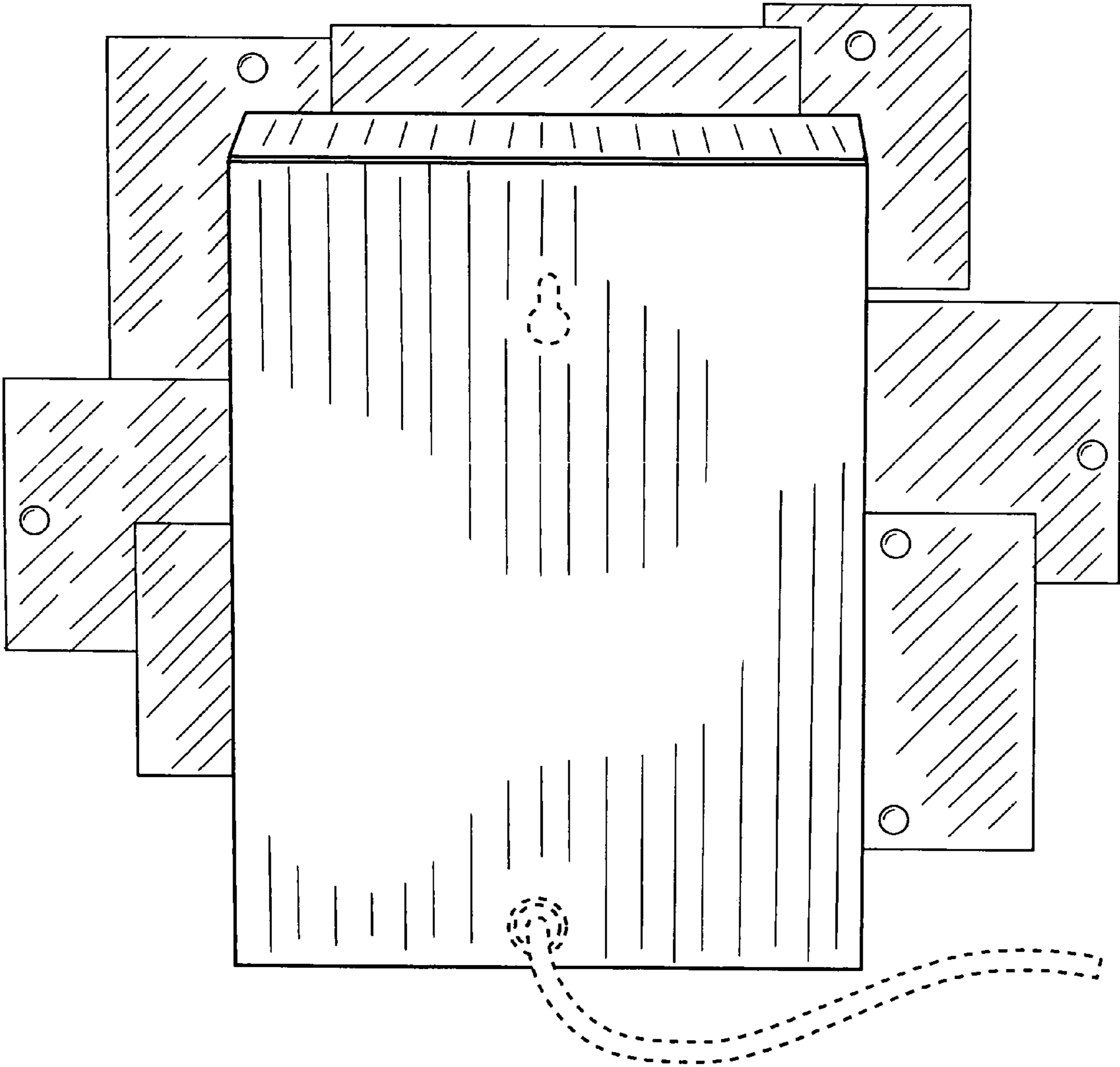


Fig. 3

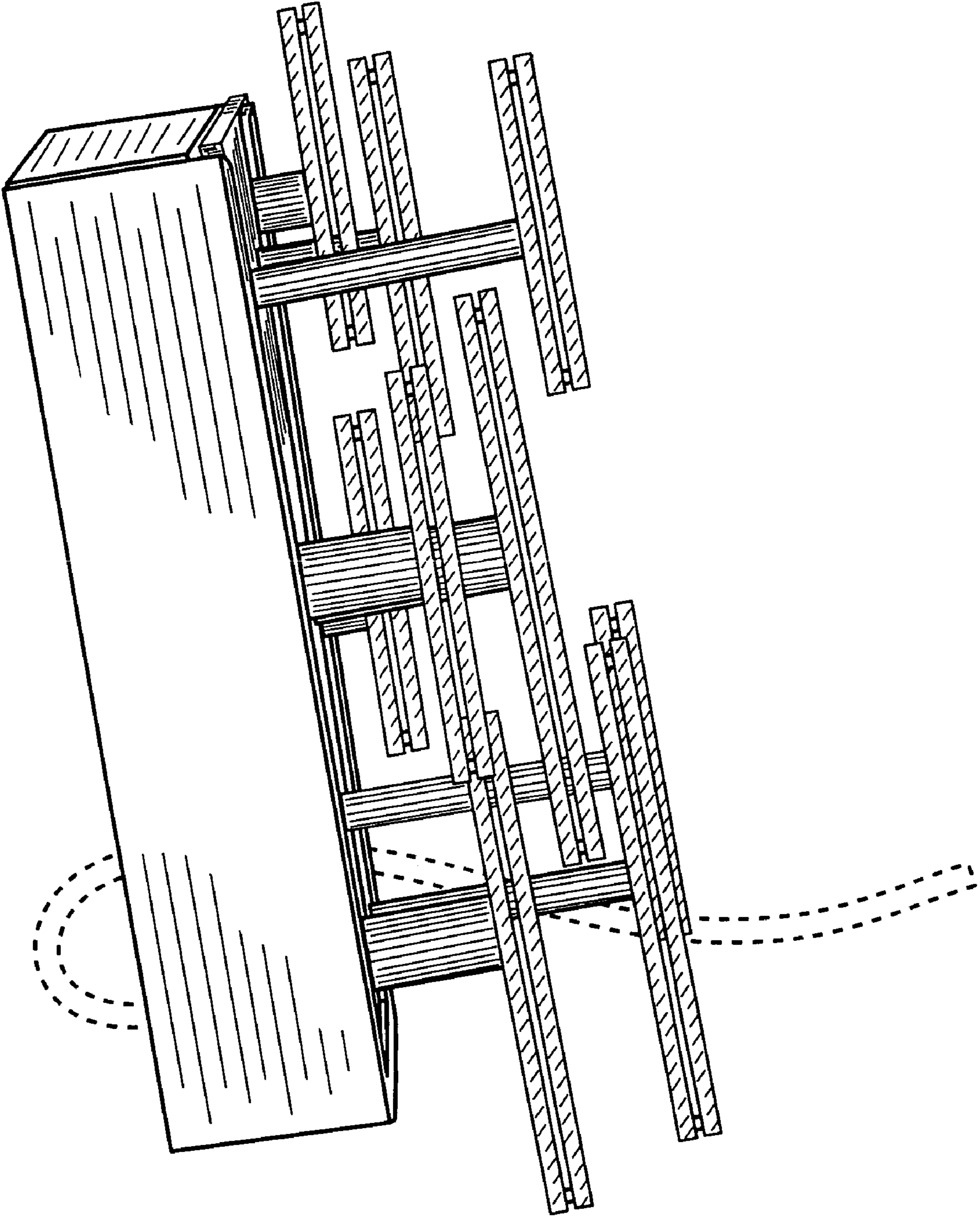


Fig. 4

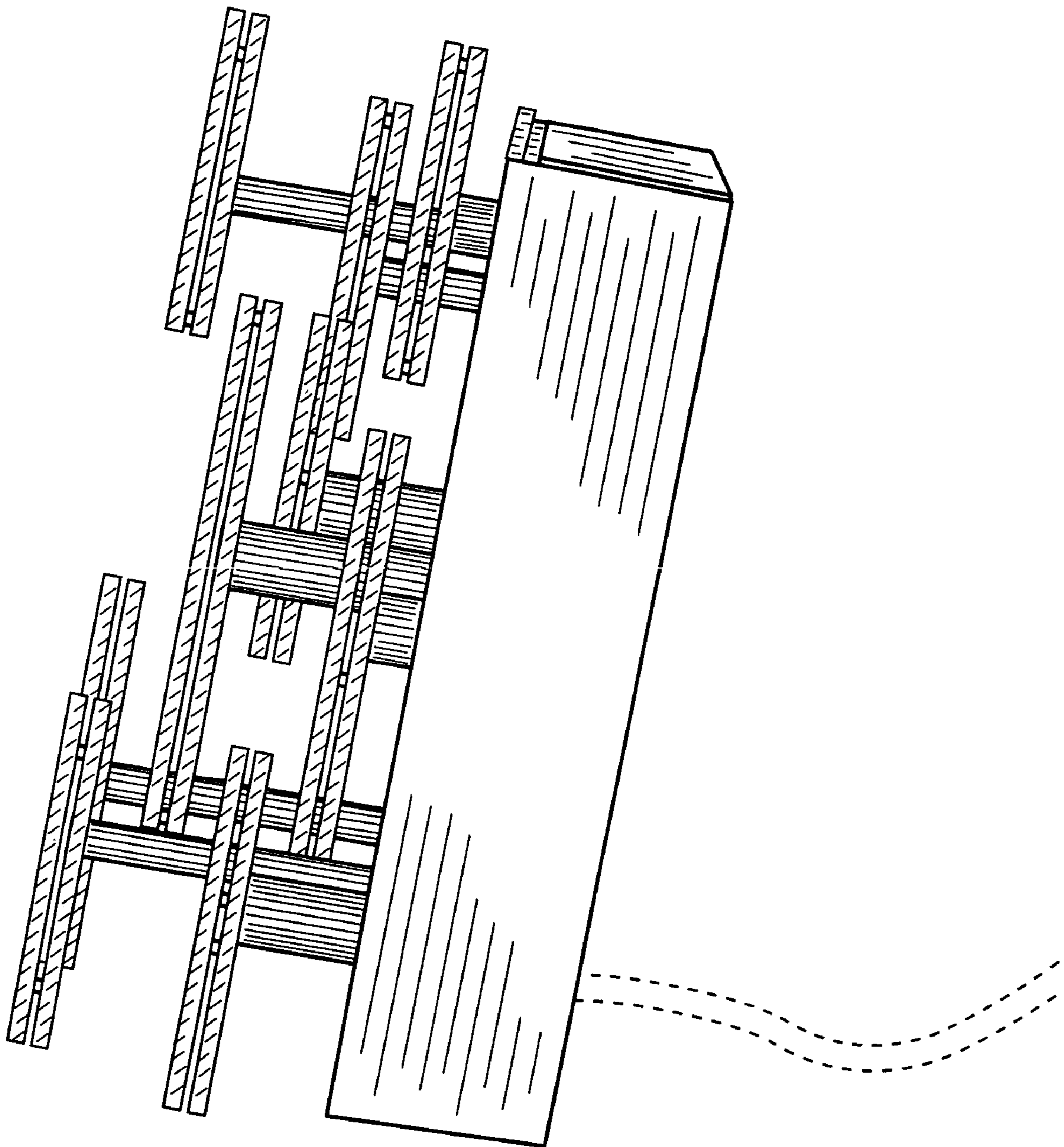


Fig. 5

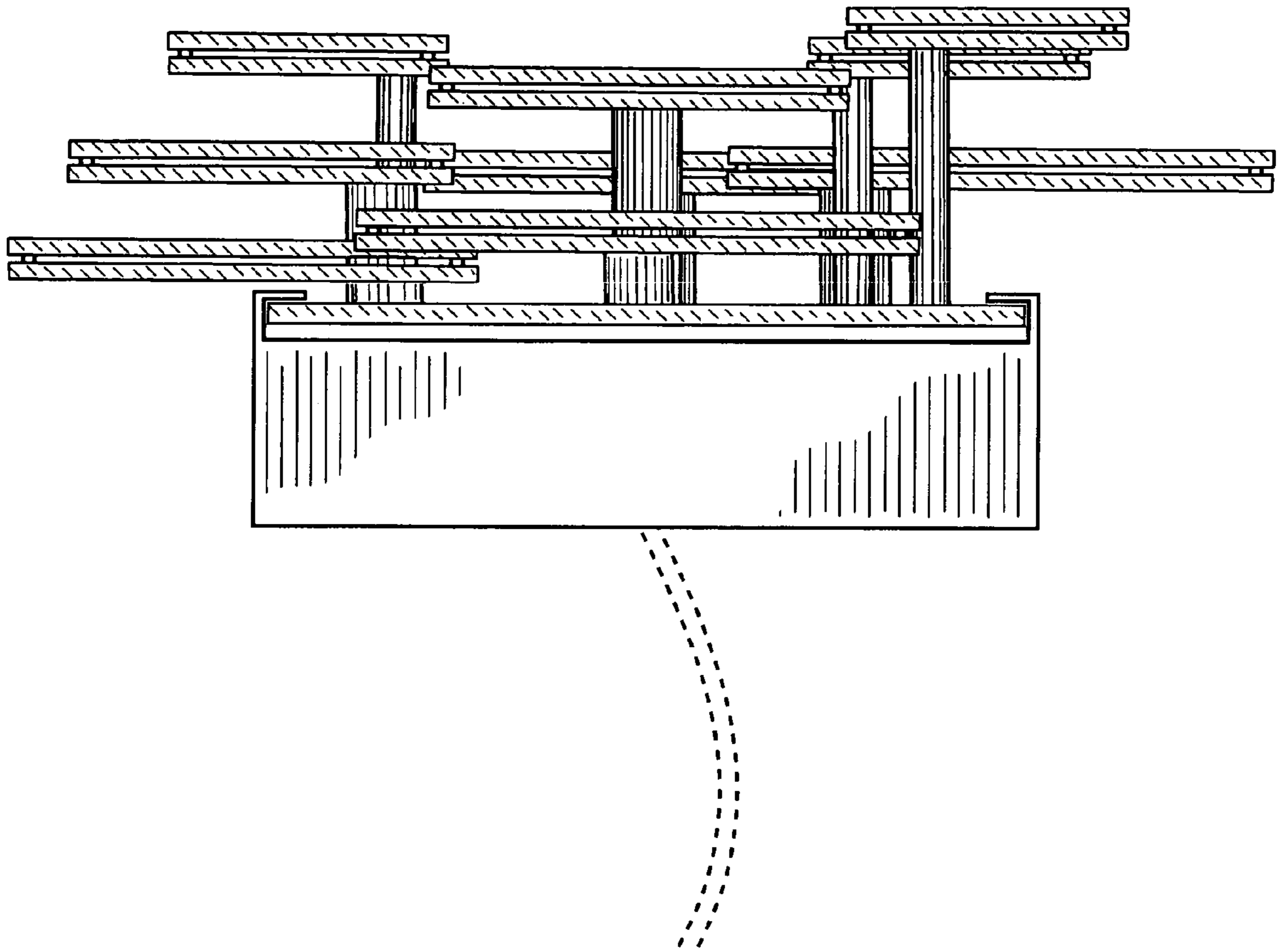


Fig. 6

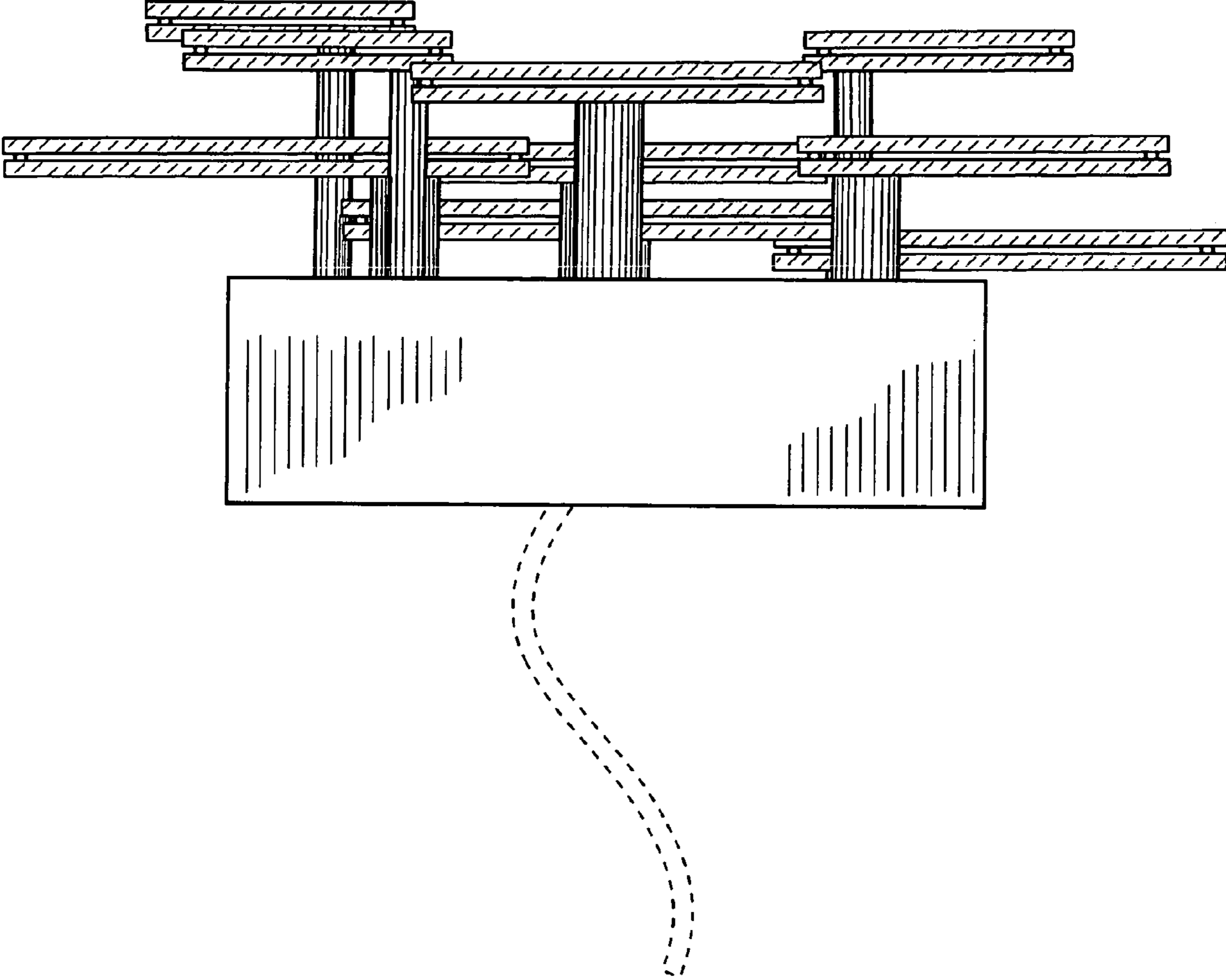


Fig. 7