

US00D564693S

(12) **United States Design Patent**
Ziliani

(10) **Patent No.:** **US D564,693 S**
(45) **Date of Patent:** **** Mar. 18, 2008**

(54) **WALL LAMP**

D552,290 S * 10/2007 Duggan D26/85

(75) Inventor: **Marcello Ziliani**, Brescia (IT)

OTHER PUBLICATIONS

(73) Assignee: **FLOS S.p.A.**, Brescia (IT)

Item 9312 on p. 360 of the Kichler Lighting catalog © 2003.*
All lamps shown on p. 361 of the Kichler Lighting catalog © 2003.*

(**) Term: **14 Years**

* cited by examiner

(21) Appl. No.: **29/247,802**

Primary Examiner—Clare E Heflin

(22) Filed: **Jul. 13, 2006**

(74) *Attorney, Agent, or Firm*—McGlew and Tuttle, P.C.

(30) **Foreign Application Priority Data**

(57) **CLAIM**

Jan. 16, 2006 (IT) BS2006 0 000002

The ornamental design for a wall lamp, as shown and described.

(51) **LOC (8) Cl.** **26-03**

DESCRIPTION

(52) **U.S. Cl.** **D26/85**

(58) **Field of Classification Search** D26/72,

D26/85-89; 362/147, 431, 432, 362

See application file for complete search history.

FIG. 1 is a perspective view of my new wall lamp design;

FIG. 2 is a front elevation view thereof;

FIG. 3 is a rear elevation view thereof;

FIG. 4 is a top view thereof;

FIG. 5 is a bottom view thereof;

FIG. 6 is a left side view thereof; and,

FIG. 7 is a right side view thereof.

(56) **References Cited**

U.S. PATENT DOCUMENTS

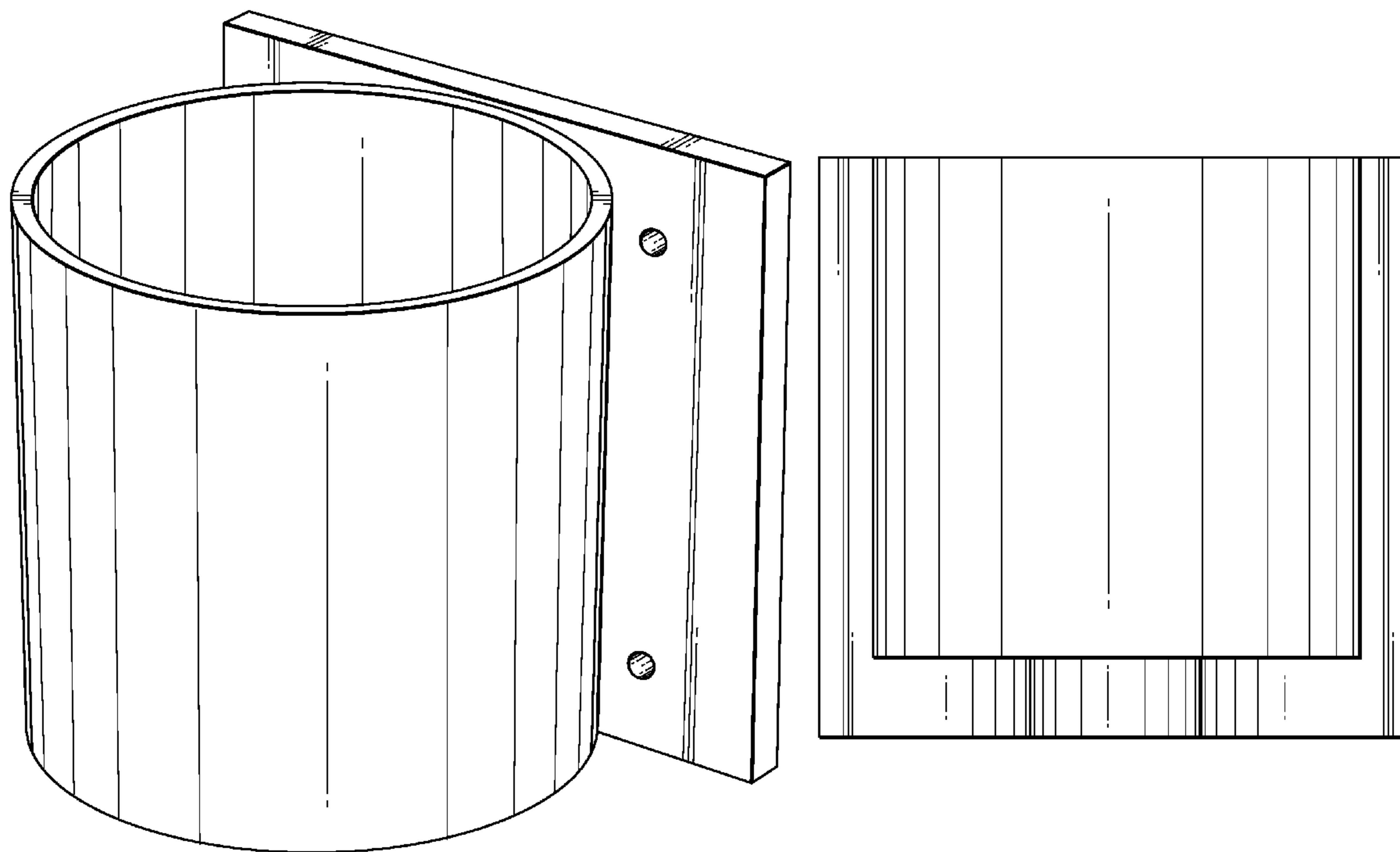
D114,805 S * 5/1939 Brooks D26/85

D160,809 S * 11/1950 Schear et al. D26/85

D185,974 S * 8/1959 Rambusch D26/85

D190,671 S * 6/1961 Rambusch D26/85

1 Claim, 4 Drawing Sheets



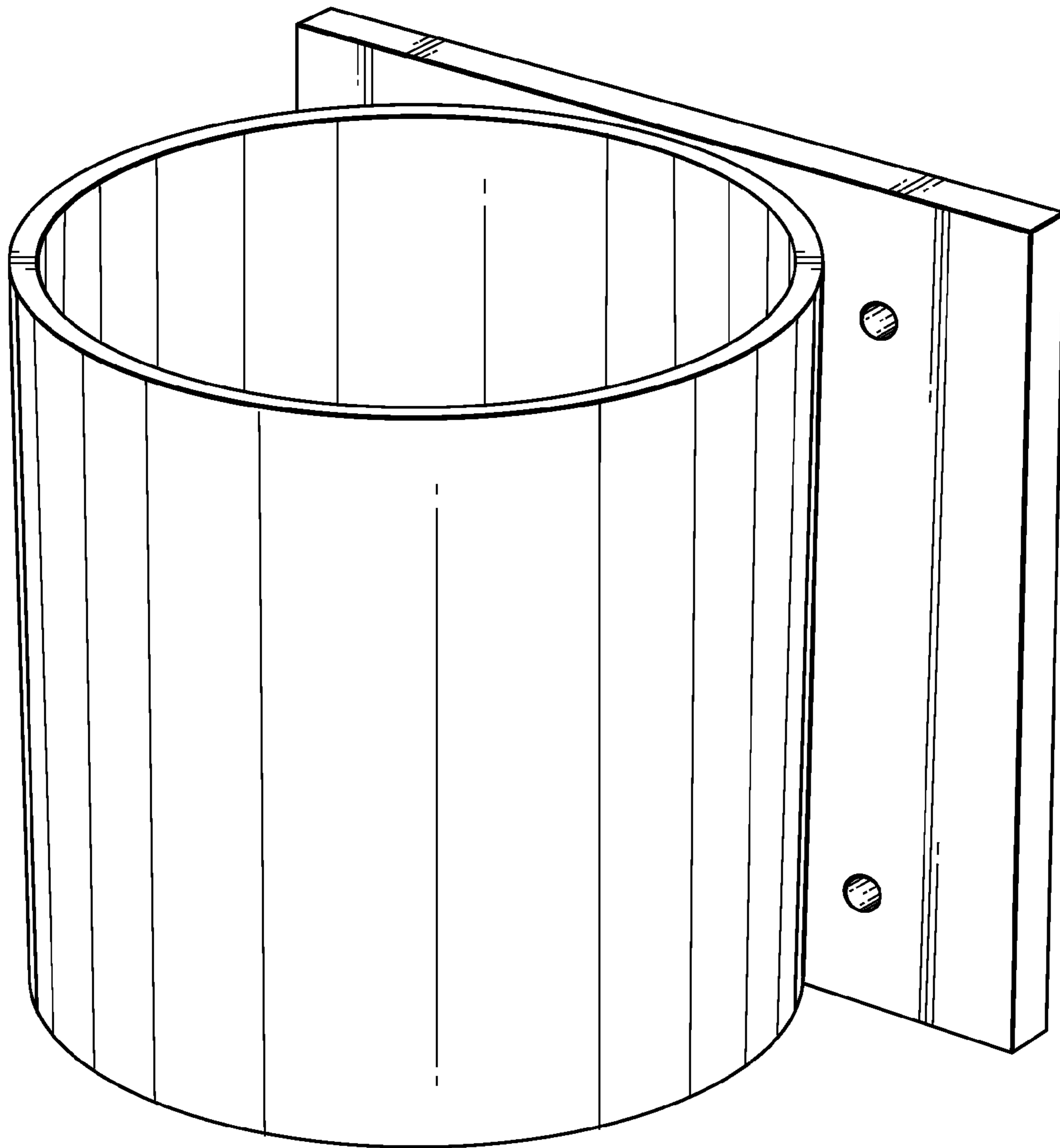


FIG. 1

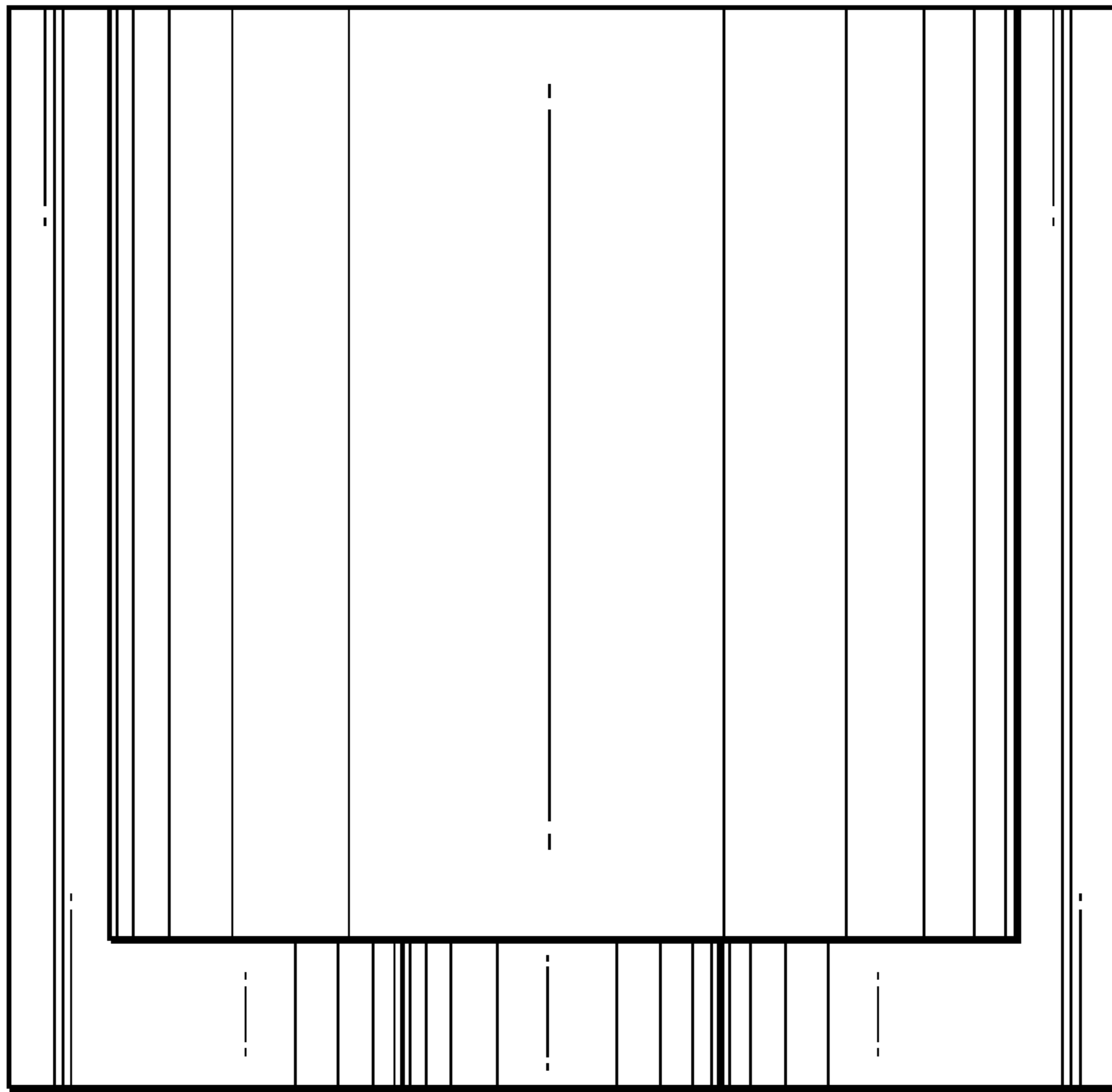


FIG. 2

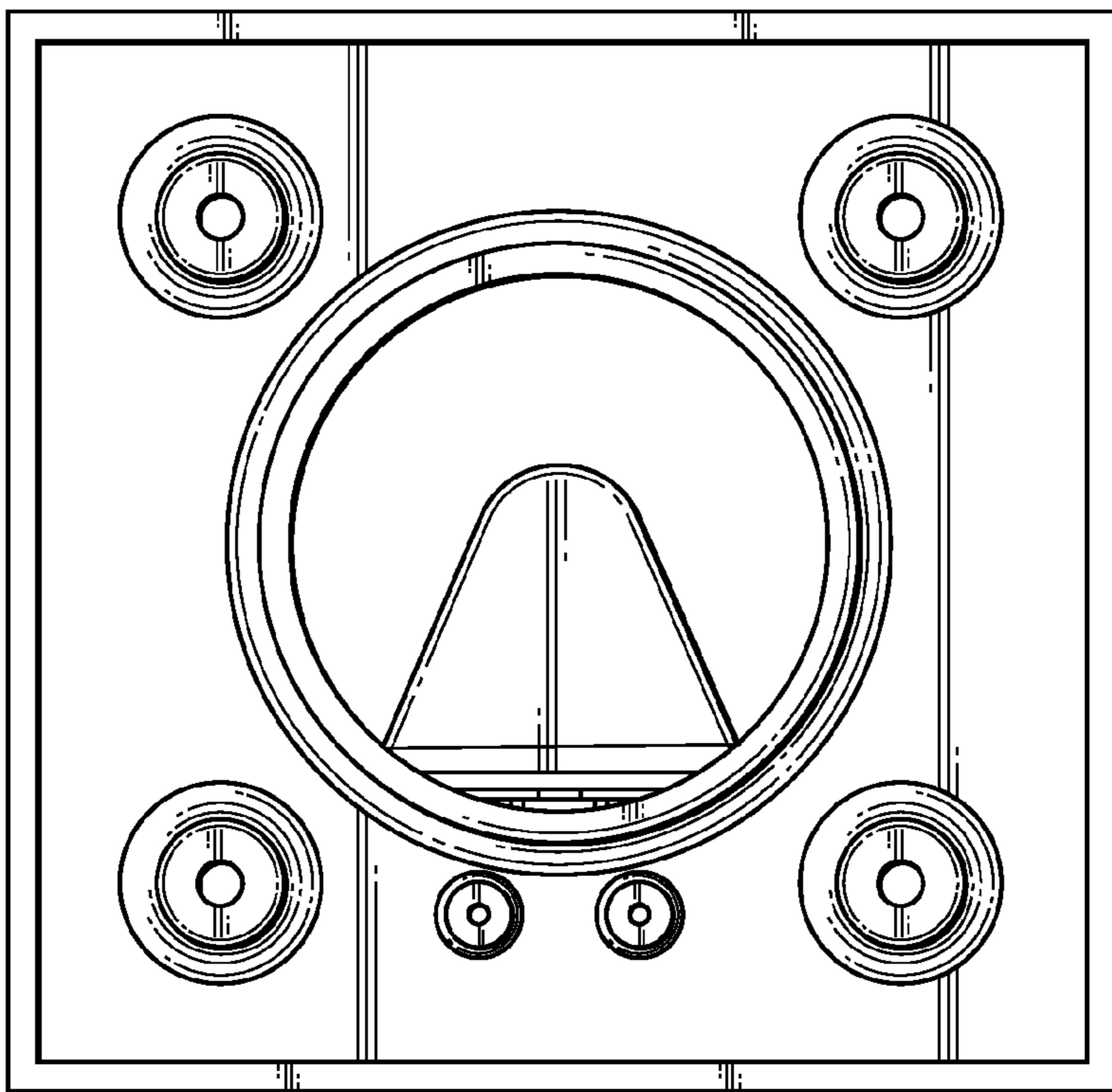


FIG. 3

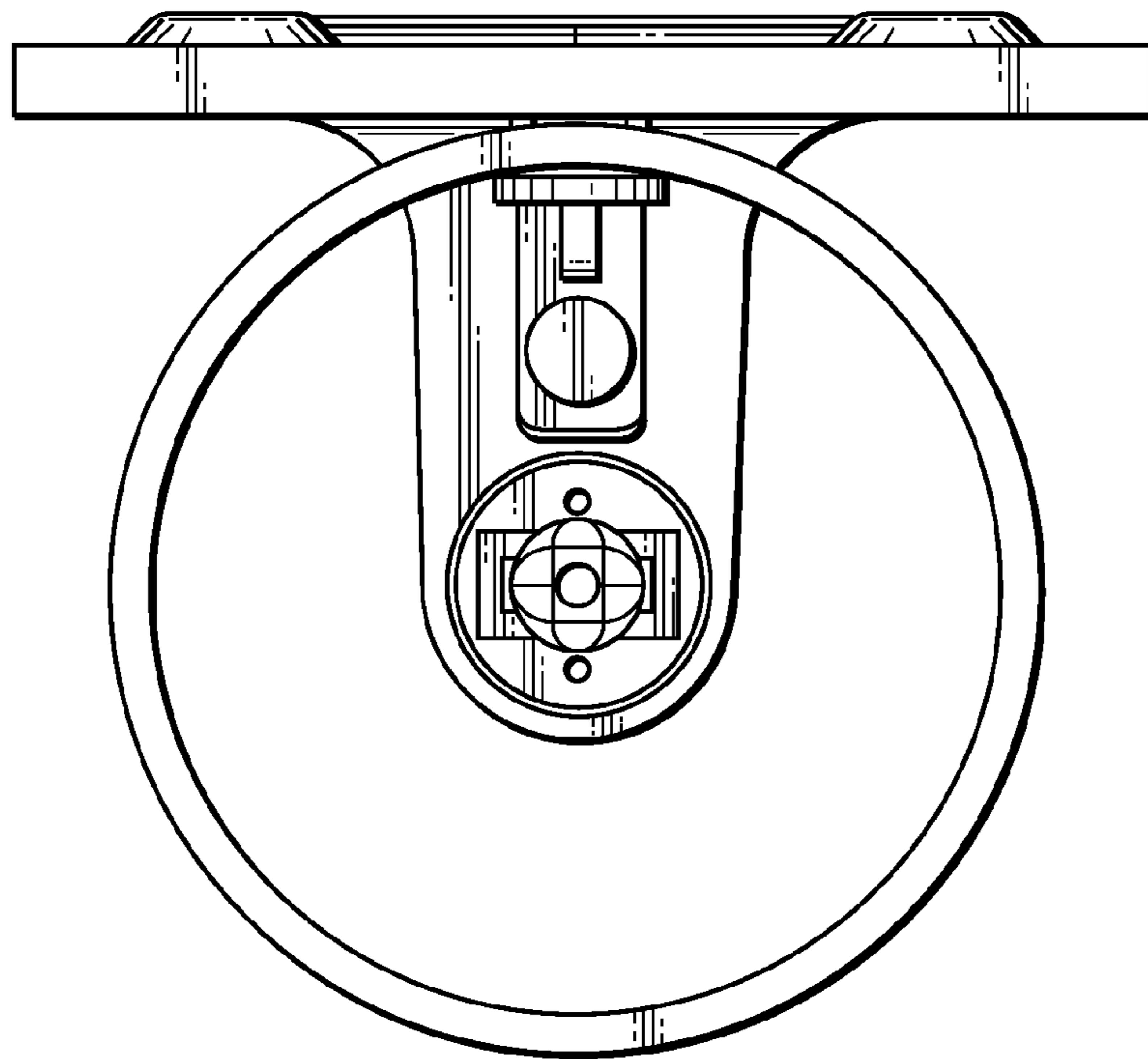


FIG. 4

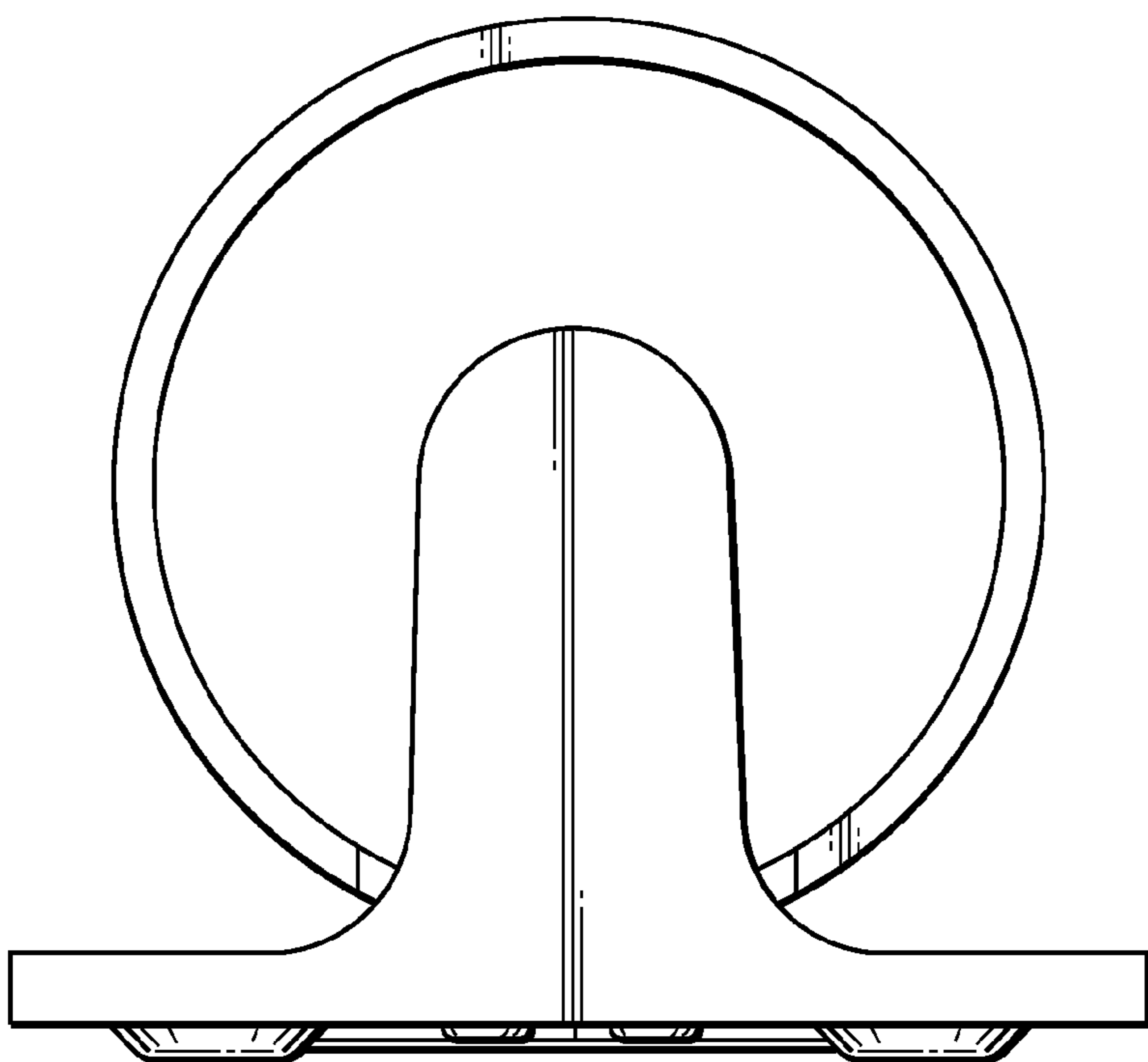


FIG. 5



FIG. 6

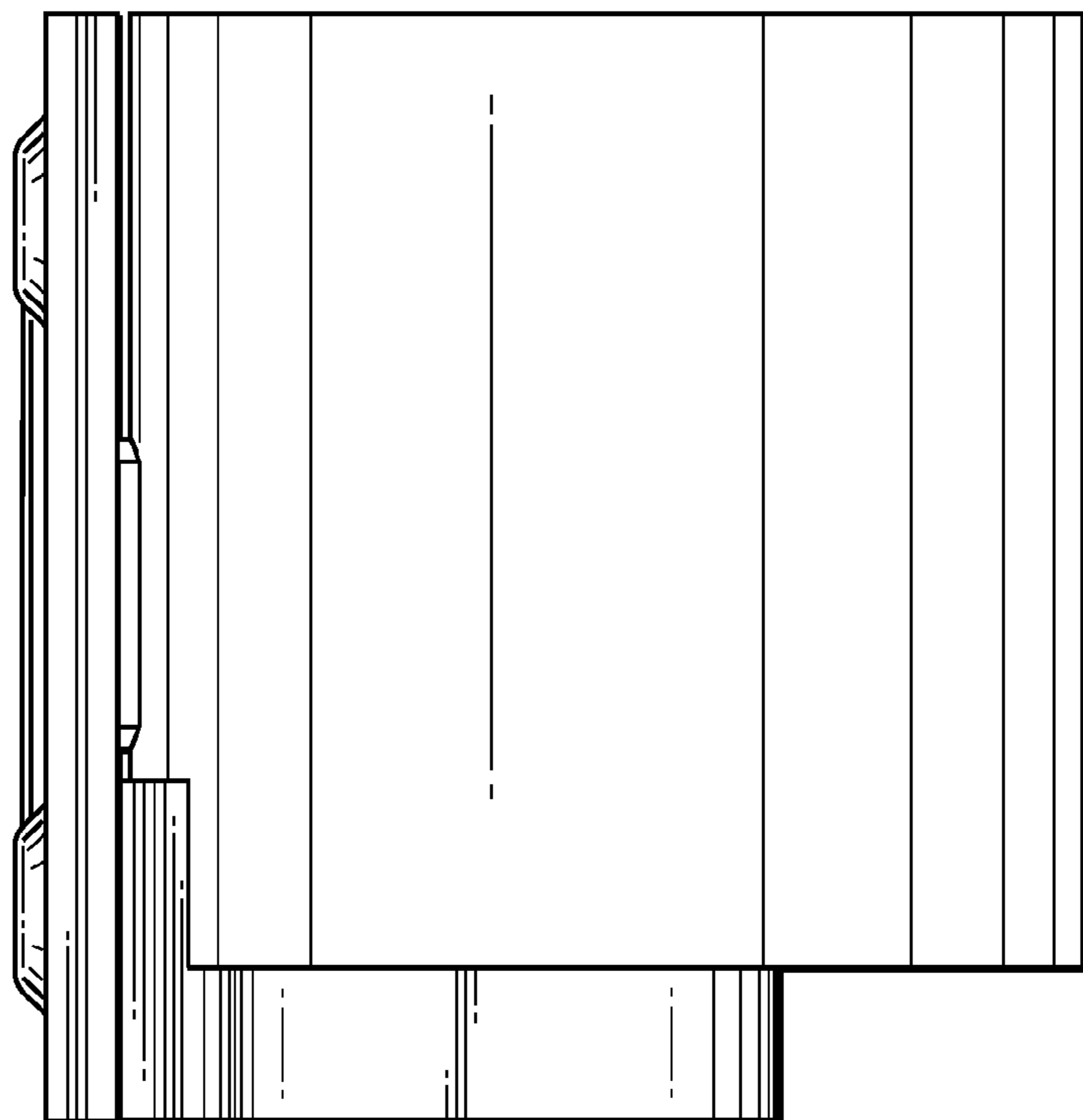


FIG. 7