



US00D564692S

(12) **United States Design Patent**
Pfund

(10) **Patent No.:** **US D564,692 S**

(45) **Date of Patent:** **** Mar. 18, 2008**

(54) **WORKSTATION LUMINAIRE**

(75) Inventor: **David Pfund**, Woodbridge, CT (US)

(73) Assignee: **Sylvan R. Shemitz Designs, Inc.**, West Haven, CT (US)

(**) Term: **14 Years**

(21) Appl. No.: **29/278,673**

(22) Filed: **Apr. 5, 2007**

Related U.S. Application Data

(62) Division of application No. 29/242,094, filed on Nov. 4, 2005.

(51) **LOC (8) Cl.** **26-05**

(52) **U.S. Cl.** **D26/72; D26/142**

(58) **Field of Classification Search** D26/72,
D26/74-79; 362/217-225, 283, 147, 363;
D6/349, 396, 405, 414, 574, 474

See application file for complete search history.

(56) **References Cited**

U.S. PATENT DOCUMENTS

2,345,235	A *	3/1944	Carter, Jr.	362/140
D191,628	S *	10/1961	Muller	D26/76
D205,192	S *	7/1966	Shearin	D26/51
3,389,246	A *	6/1968	Shemitz	362/147
3,700,877	A *	10/1972	Wilson	362/300
3,997,776	A *	12/1976	Ruud	362/127
4,323,955	A *	4/1982	Mark	362/278
4,351,017	A *	9/1982	Ball	362/147
D268,367	S *	3/1983	Paquette et al.	D26/76
4,388,676	A *	6/1983	Sato et al.	362/260
D286,916	S *	11/1986	Worrell	D26/72

4,660,131	A *	4/1987	Herst et al.	362/223
4,680,677	A *	7/1987	Ross	362/33
4,816,969	A *	3/1989	Miller	362/130
RE33,471	E *	12/1990	Herst et al.	362/223
D330,090	S *	10/1992	Walter et al.	D26/51
5,658,067	A *	8/1997	Engle et al.	362/222
D386,278	S *	11/1997	Engle et al.	D26/76
D400,899	S *	11/1998	Simms	D16/136
6,254,254	B1 *	7/2001	Chubb et al.	362/293
D452,340	S *	12/2001	Pickett et al.	D26/76
D464,457	S *	10/2002	Echito	D26/76
D464,757	S *	10/2002	Echito	D26/75
D496,750	S *	9/2004	Waldmann	D26/78
D502,565	S *	3/2005	Hetfield	D26/76
7,156,537	B1 *	1/2007	Cohrs	362/147

* cited by examiner

Primary Examiner—Carol Rademaker

Assistant Examiner—Susan E Krakower

(74) *Attorney, Agent, or Firm*—Cantor Colburn LLP

(57) **CLAIM**

I claim, the ornamental design for a workstation luminaire, as shown and described.

DESCRIPTION

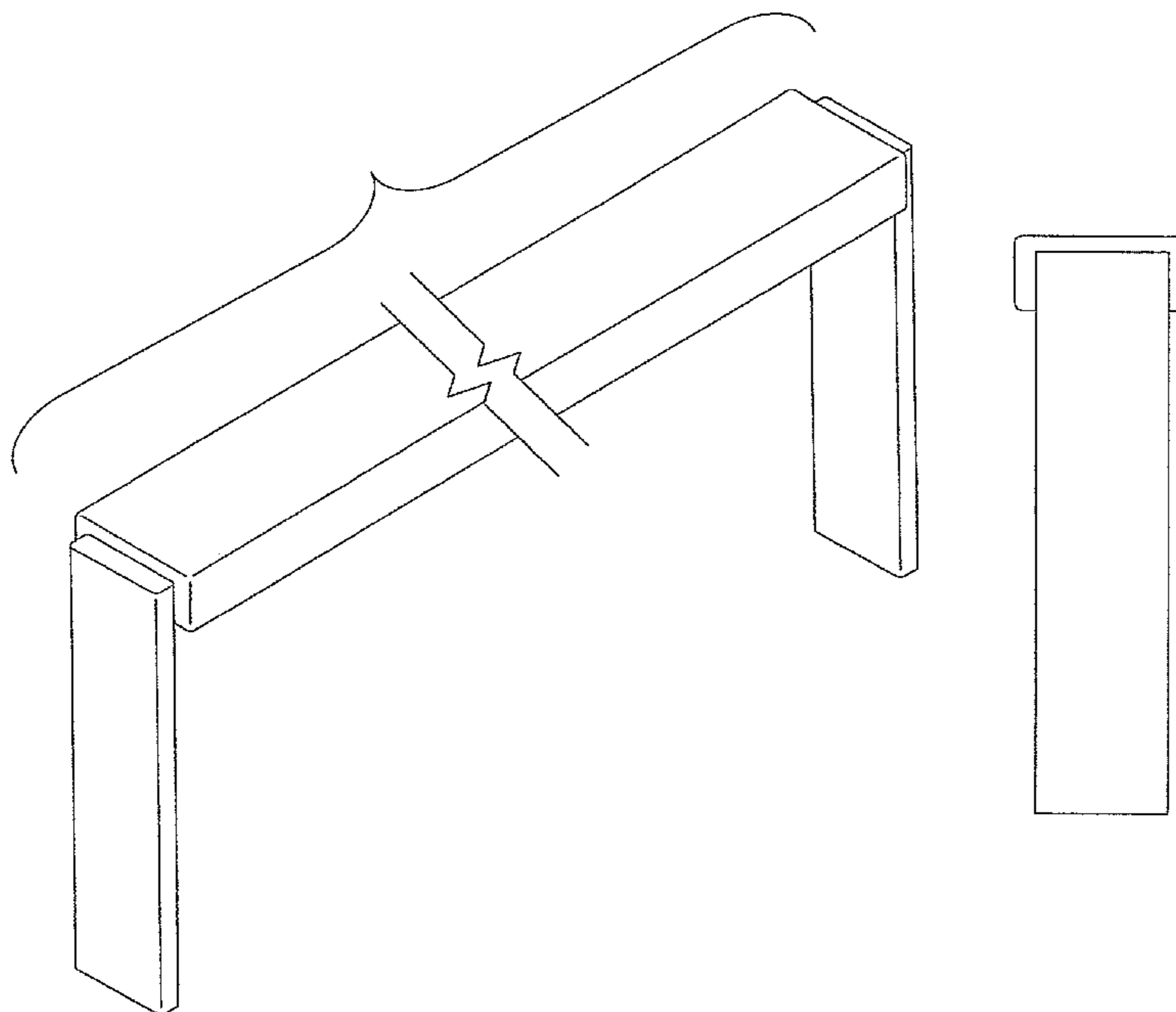
FIG. 1 is a perspective view of a workstation luminaire showing my new design;

FIG. 2 is a front elevation view thereof; and,

FIG. 3 is a side elevation view, the opposite side being a mirror image hereof.

The break lines shown in FIGS. 1 and 2 drawings views represent indeterminate length.

1 Claim, 2 Drawing Sheets



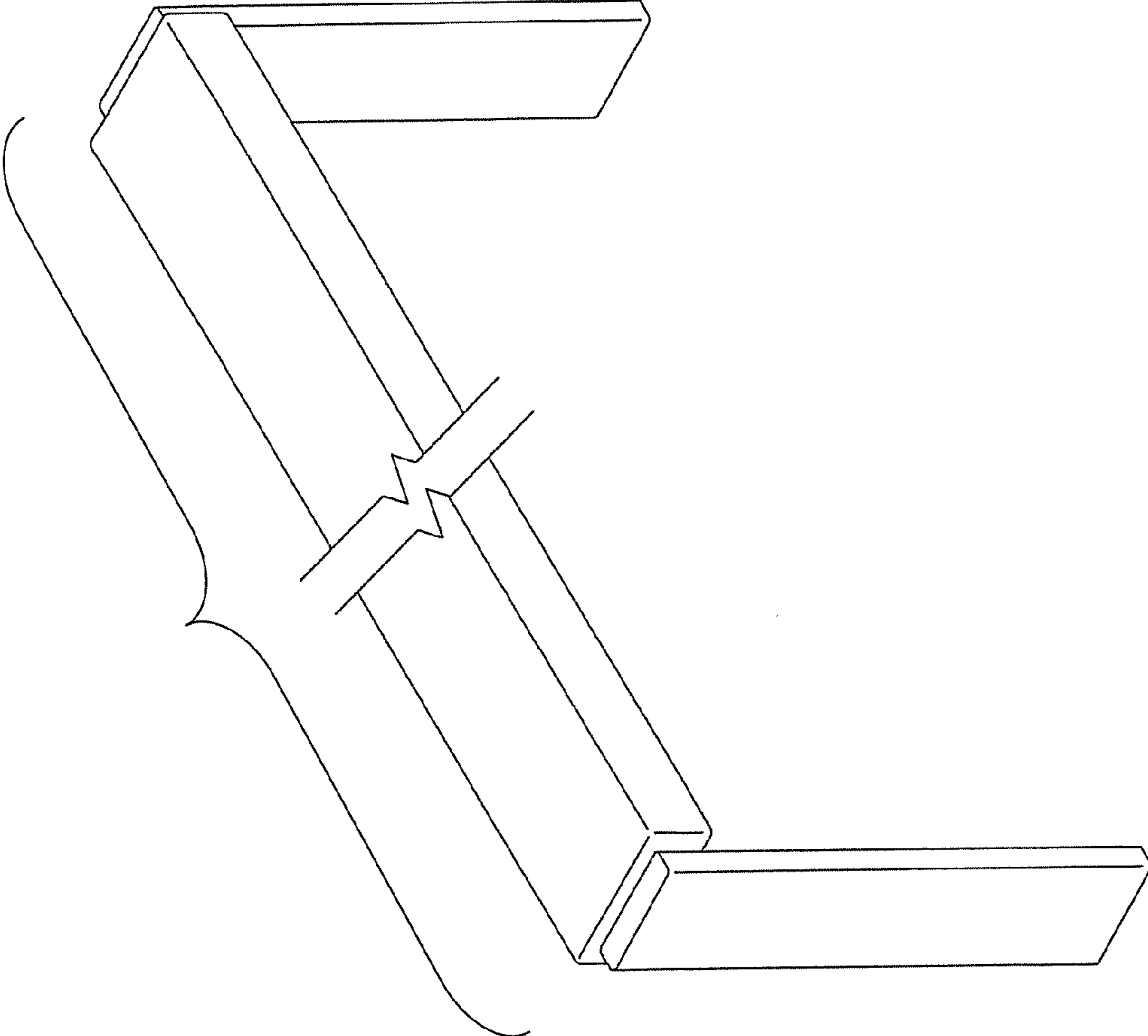


FIG. 1

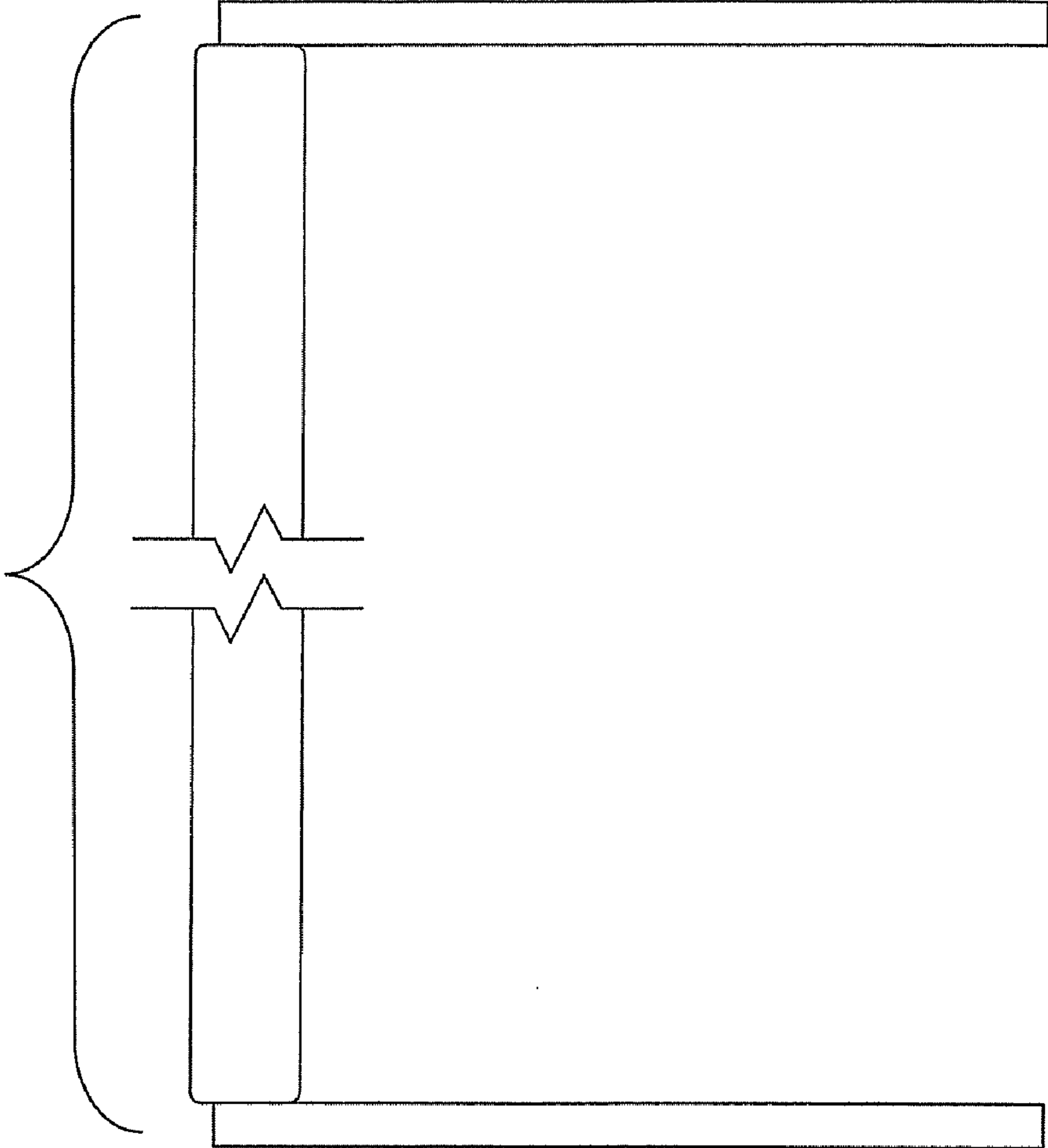


FIG. 2

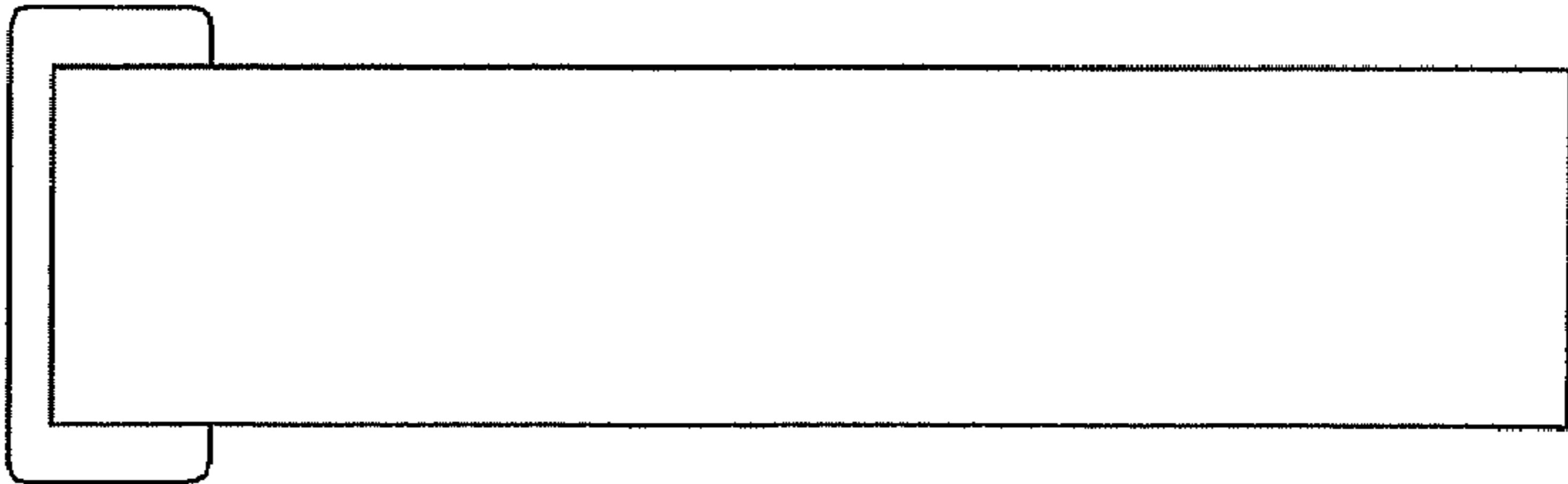


FIG. 3