

US00D564689S

(12) **United States Design Patent**
Korpi

(10) **Patent No.:** **US D564,689 S**
(45) **Date of Patent:** **** Mar. 18, 2008**

(54) **WORKLIGHT**

(75) Inventor: **Jari Korpi**, Helsinki (FI)

(73) Assignee: **Herrmans Oy AB**, Pietarsaari (FI)

(**) Term: **14 Years**

(21) Appl. No.: **29/286,680**

(22) Filed: **May 16, 2007**

(30) **Foreign Application Priority Data**

Dec. 14, 2006 (EM) 000637590

(51) **LOC (8) Cl.** **26-05**

(52) **U.S. Cl.** **D26/63**

(58) **Field of Classification Search** D26/60-66,
D26/71, 72; 362/269-271, 273, 285, 287,
362/289, 372, 396, 418, 426, 427, 430, 648,
362/650

See application file for complete search history.

(56) **References Cited**

U.S. PATENT DOCUMENTS

- 3,789,209 A * 1/1974 Weber et al. 362/253
- 4,636,925 A * 1/1987 Kristofek 362/277
- D319,891 S * 9/1991 Giese D26/67
- D354,823 S * 1/1995 Tsai D26/28
- D357,329 S * 4/1995 Iacovelli D26/28
- D357,548 S * 4/1995 Mattijssen D26/63
- D360,962 S * 8/1995 Cornell et al. D26/67
- D413,689 S * 9/1999 Hussaini et al. D26/29
- D432,700 S * 10/2000 Avila et al. D26/87
- D547,477 S * 7/2007 Guercio D26/63
- D548,374 S * 8/2007 Lassen et al. D26/28
- D550,878 S * 9/2007 Korpi D26/63
- D550,879 S * 9/2007 Korpi D26/63
- D550,880 S * 9/2007 Korpi D26/63

- D551,372 S * 9/2007 Korpi D26/63
- D551,373 S * 9/2007 Korpi D26/63
- D551,374 S * 9/2007 Korpi D26/63
- D552,782 S * 10/2007 Korpi D26/63

FOREIGN PATENT DOCUMENTS

- EM 000515416-0001 * 4/2006
- EM 000515416-0002 * 4/2006
- EM 000515416-0004 * 4/2006
- EM 000515416-0007 * 4/2006

OTHER PUBLICATIONS

U.S. Appl. No. 29/267,783, filed Oct. 20, 2006, Jari Korpi.

* cited by examiner

Primary Examiner—Cathron Brooks

Assistant Examiner—Barbara Fox

(74) *Attorney, Agent, or Firm*—Klauber & Jackson LLC

(57) **CLAIM**

The ornamental design for a worklight, as shown and described.

DESCRIPTION

FIG. 1 is a perspective view showing the right side and the bottom of the worklight of my new design;

FIG. 2 is perspective view showing the right side, the top and the back view thereof;

FIG. 3 is a front view thereof;

FIG. 4 is a back view thereof;

FIG. 5 is a left side view thereof;

FIG. 6 is a top view thereof; and,

FIG. 7 is a bottom view of the claimed design.

1 Claim, 3 Drawing Sheets

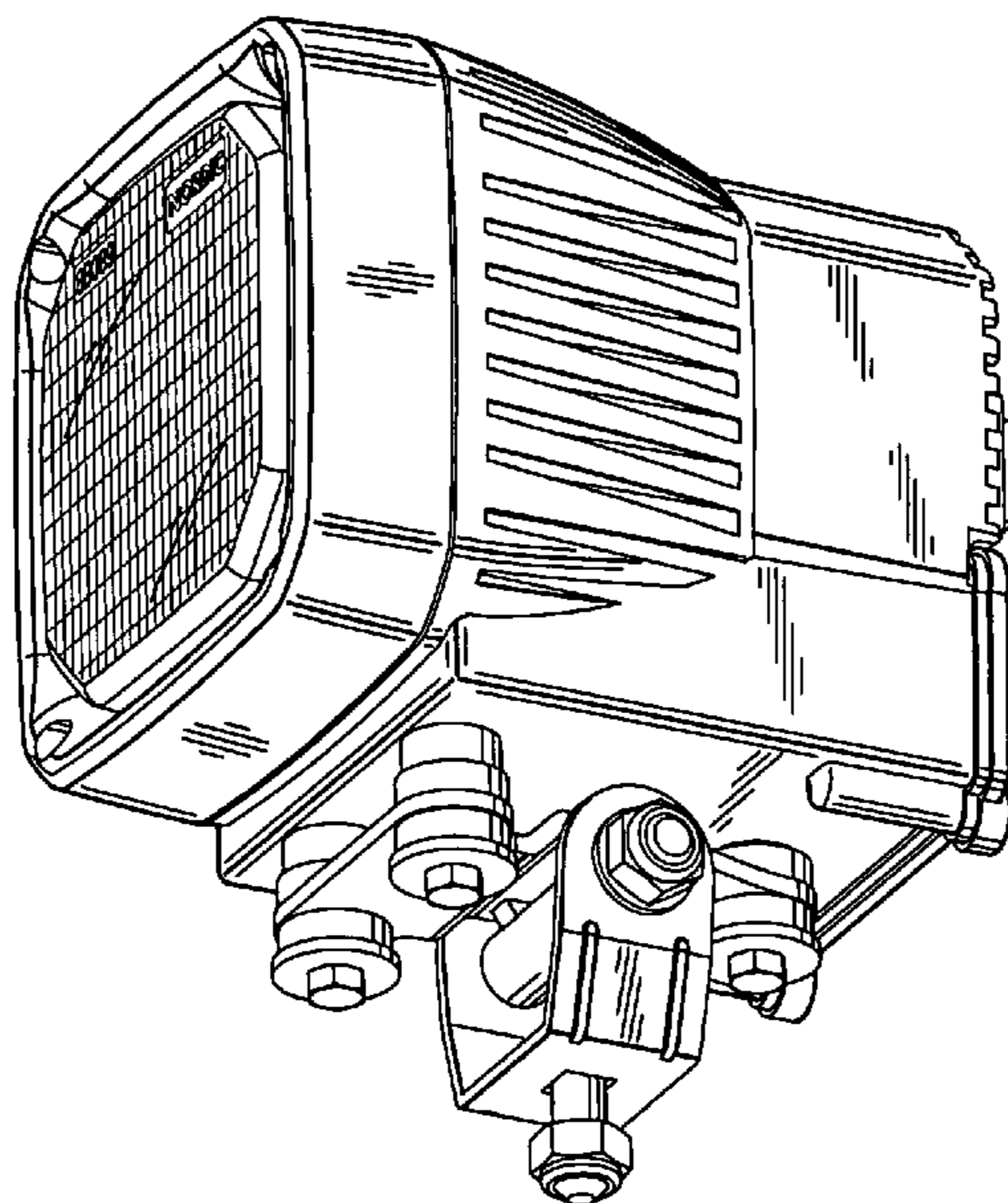


Fig. 1

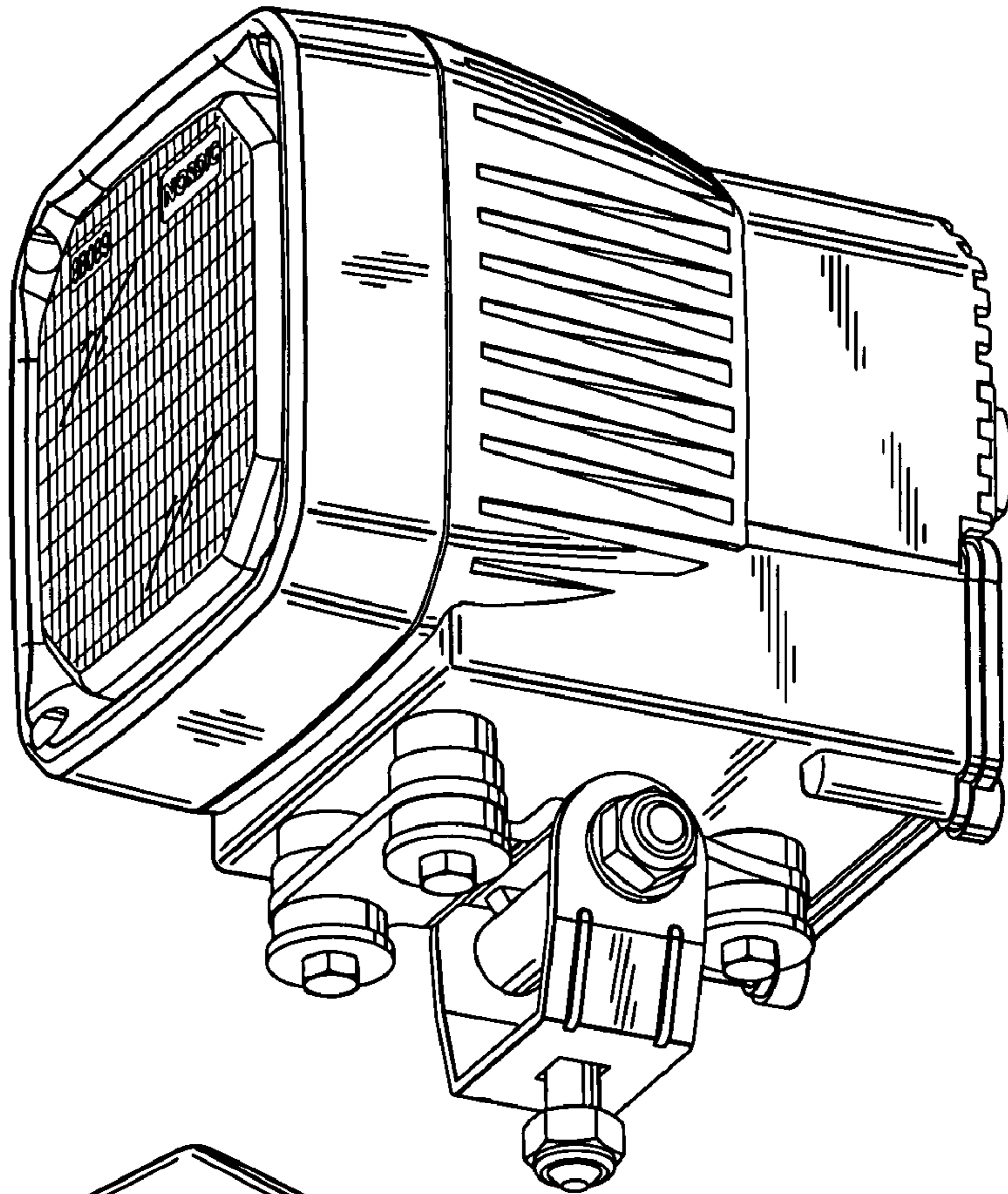


Fig. 2

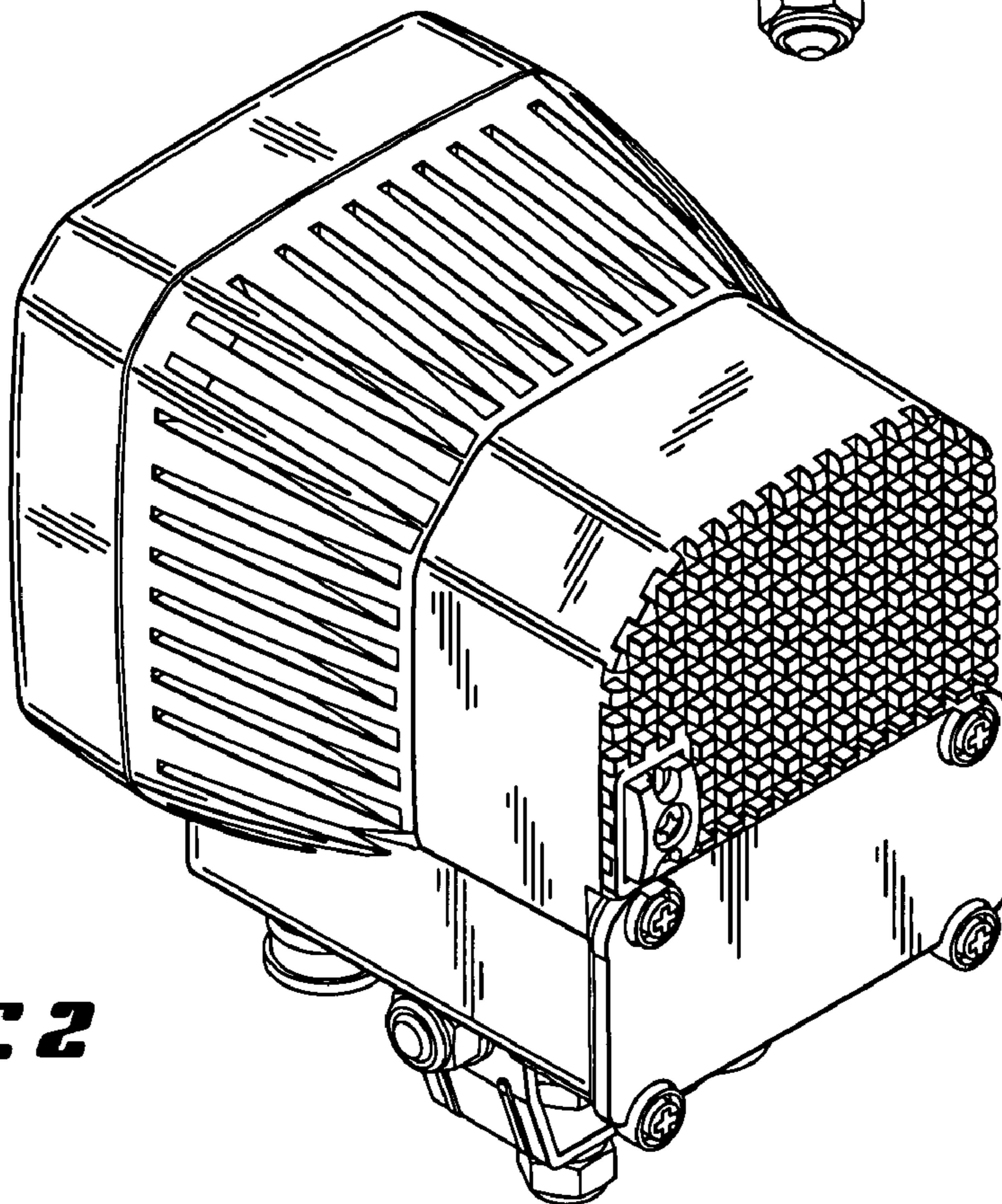


Fig. 3

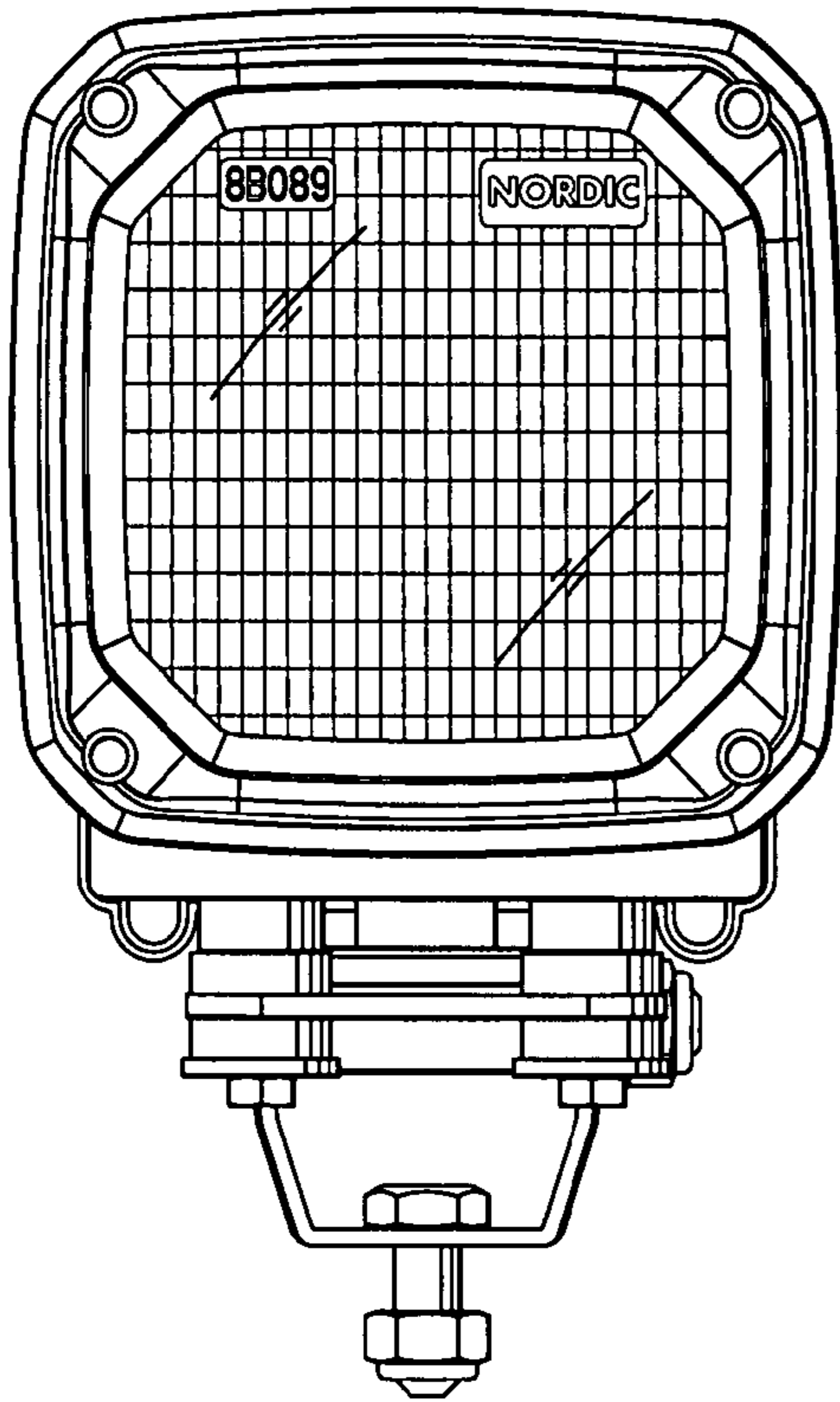


Fig. 4

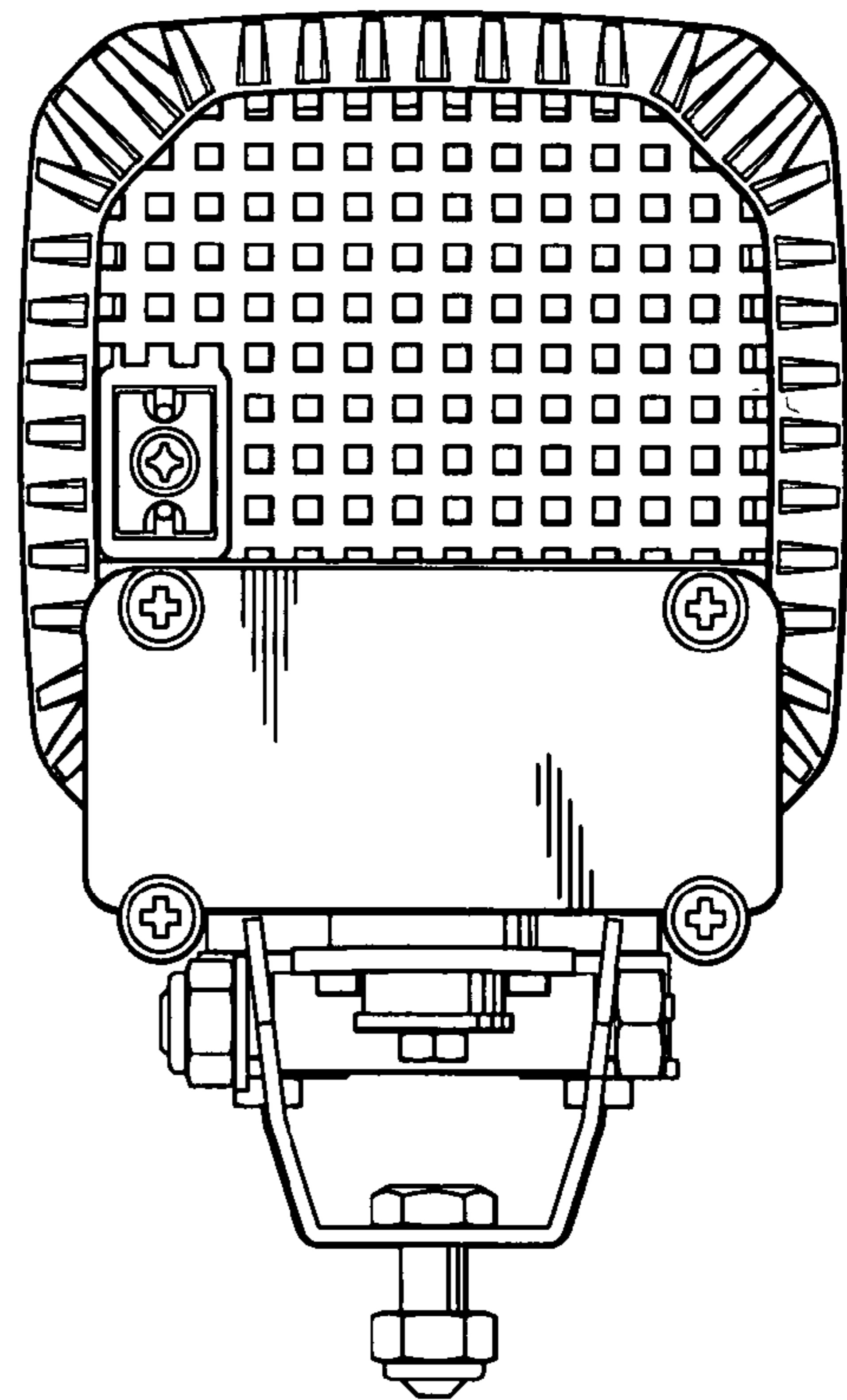


Fig. 5

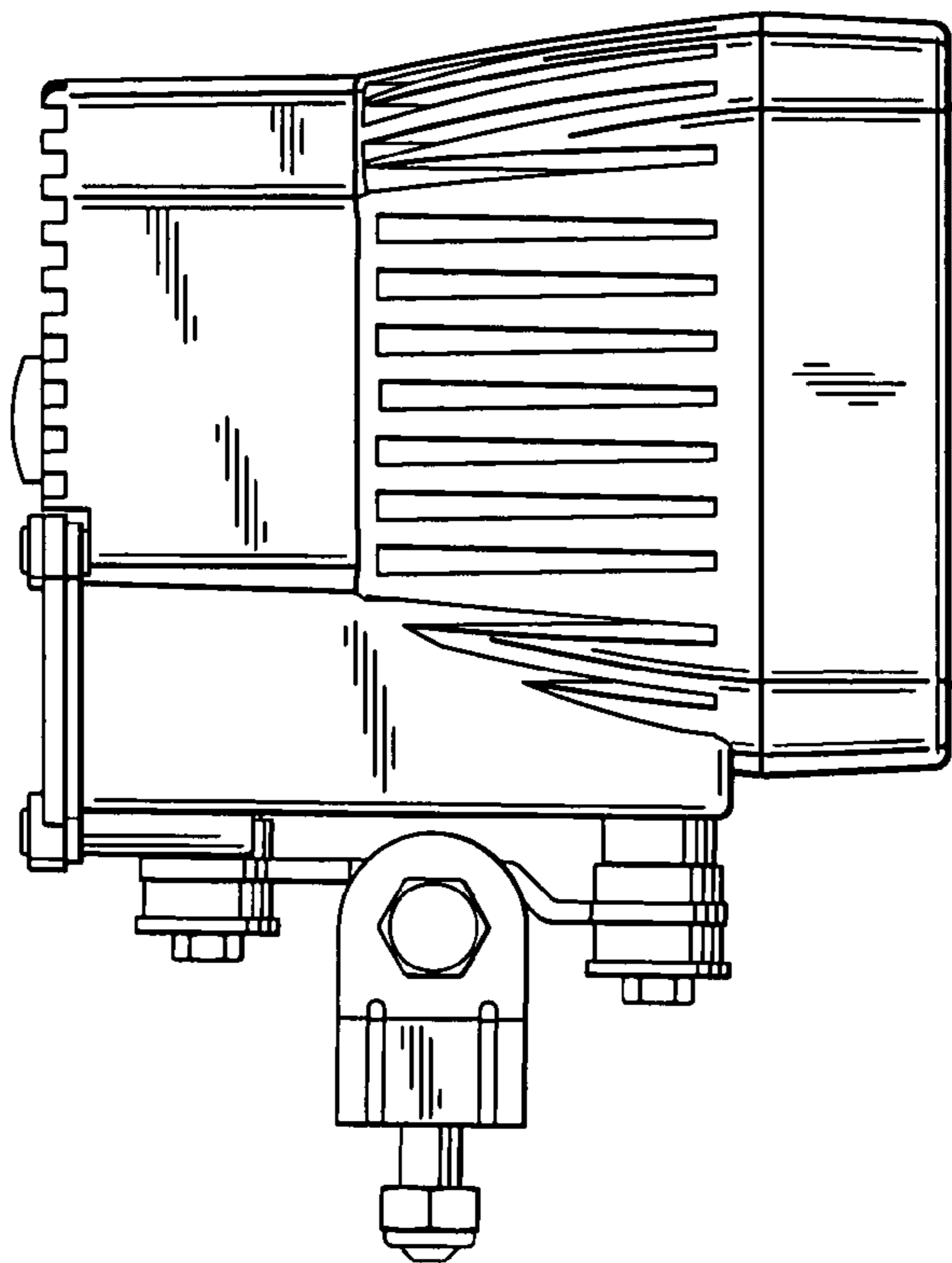


Fig. 6

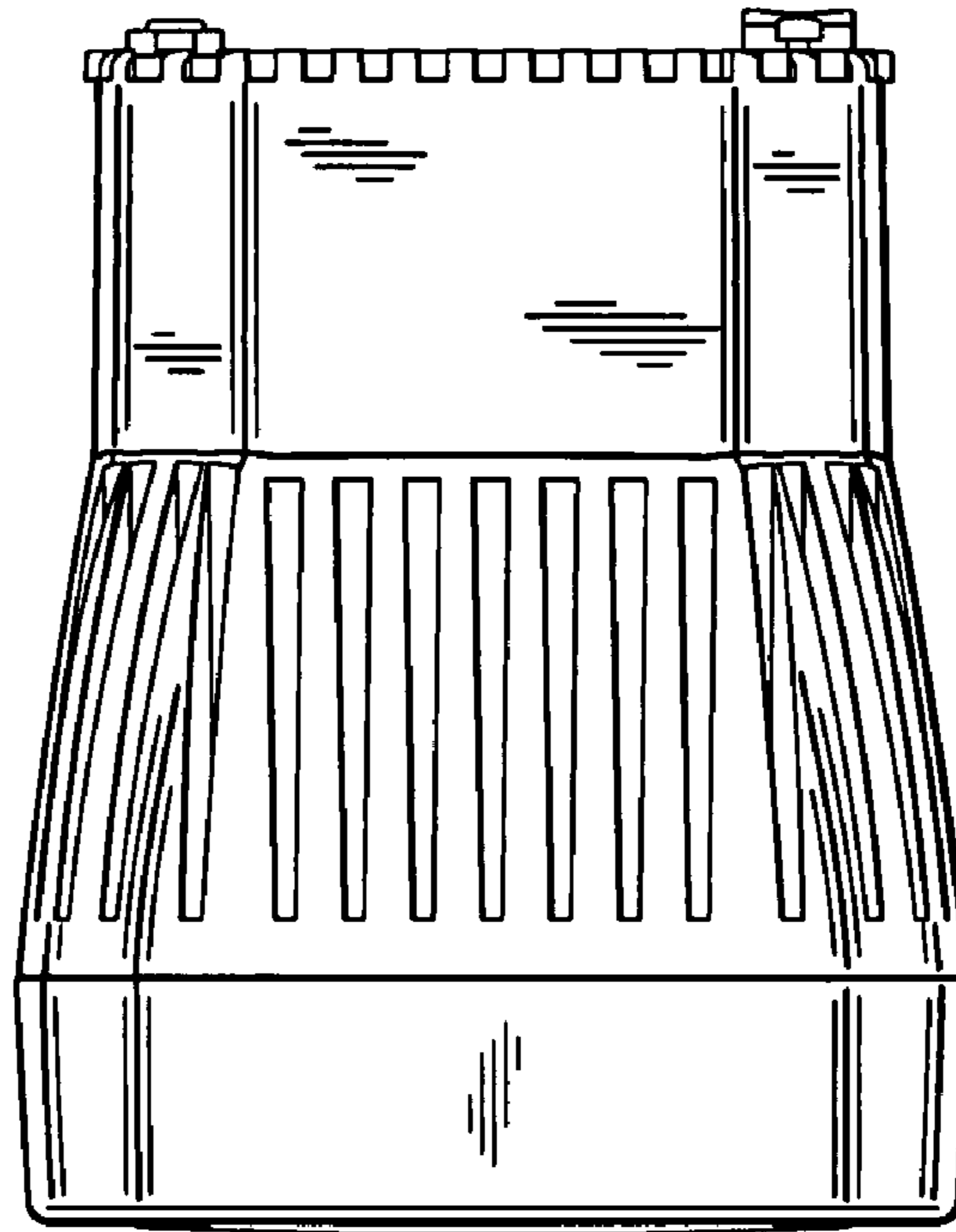


Fig. 7

