



US00D564688S

(12) **United States Design Patent**
Korpi

(10) **Patent No.:** **US D564,688 S**

(45) **Date of Patent:** **** Mar. 18, 2008**

(54) **WORKLIGHT**

(75) Inventor: **Jari Korpi**, Helsinki (FI)

(73) Assignee: **Herrmans Oy AB**, Pietarsaari (FI)

(**) Term: **14 Years**

(21) Appl. No.: **29/286,679**

(22) Filed: **May 16, 2007**

(30) **Foreign Application Priority Data**

Dec. 14, 2006 (EM) 000637590

(51) **LOC (8) Cl.** **26-05**

(52) **U.S. Cl.** **D26/63**

(58) **Field of Classification Search** D26/60-66,
D26/71, 72; 362/269-271, 273, 285, 287,
362/289, 372, 396, 418, 426, 427, 430, 648,
362/650

See application file for complete search history.

(56) **References Cited**

U.S. PATENT DOCUMENTS

3,789,209	A	*	1/1974	Weber et al.	362/253
4,636,925	A	*	1/1987	Kristofek	362/277
D319,891	S	*	9/1991	Giese	D26/67
D354,823	S	*	1/1995	Tsai	D26/28
D357,329	S	*	4/1995	Iacovelli	D26/28
D357,548	S	*	4/1995	Mattijssen	D26/63
D360,962	S	*	8/1995	Cornell et al.	D26/67
D413,689	S	*	9/1999	Hussaini et al.	D26/29
D432,700	S	*	10/2000	Avila et al.	D26/87
D547,477	S	*	7/2007	Guercio	D26/63
D548,374	S	*	8/2007	Lassen et al.	D26/28

D550,878	S	*	9/2007	Korpi et al.	D26/63
D550,879	S	*	9/2007	Korpi et al.	D26/63
D550,880	S	*	9/2007	Korpi et al.	D26/63
D551,372	S	*	9/2007	Korpi et al.	D26/63
D551,373	S	*	9/2007	Korpi et al.	D26/63
D551,374	S	*	9/2007	Korpi et al.	D26/63
D552,782	S	*	10/2007	Korpi	D26/63

FOREIGN PATENT DOCUMENTS

EM	000515416-0001	*	4/2006
EM	000515416-0002	*	4/2006
EM	000515416-0004	*	4/2006
EM	000515416-0007	*	4/2006

* cited by examiner

Primary Examiner—Cathron Brooks

Assistant Examiner—Barbara Fox

(74) *Attorney, Agent, or Firm*—Klauber & Jackson LLC

(57) **CLAIM**

The ornamental design for a worklight, as shown and described.

DESCRIPTION

FIG. 1 is a perspective view showing the left side, the top and the front of the worklight of my new design;

FIG. 2 is a front view thereof;

FIG. 3 is a back view thereof;

FIG. 4 is a left side view thereof;

FIG. 5 is a right side view thereof;

FIG. 6 is a top view thereof; and,

FIG. 7 is a bottom view of the claimed design.

1 Claim, 3 Drawing Sheets

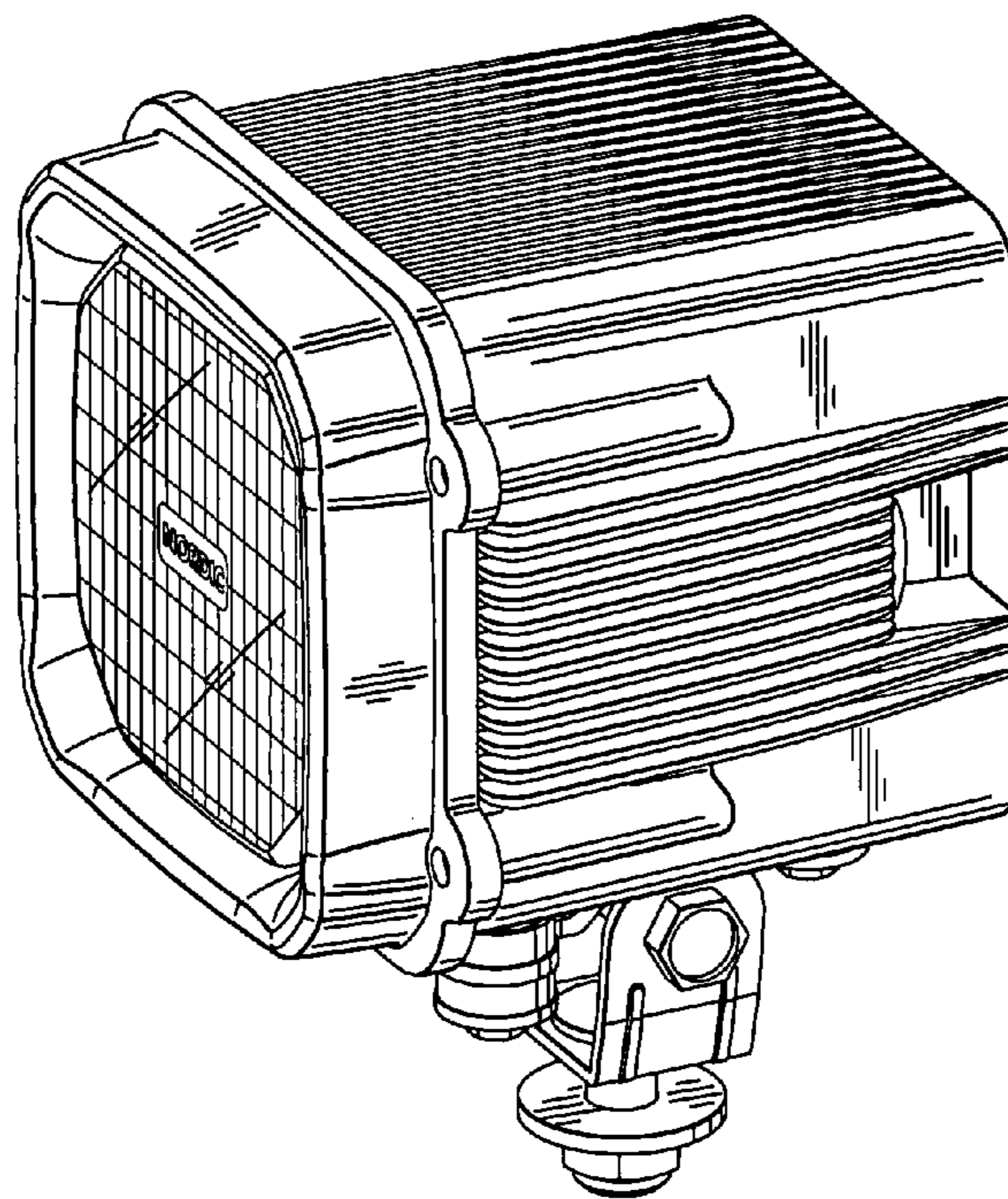


Fig. 1

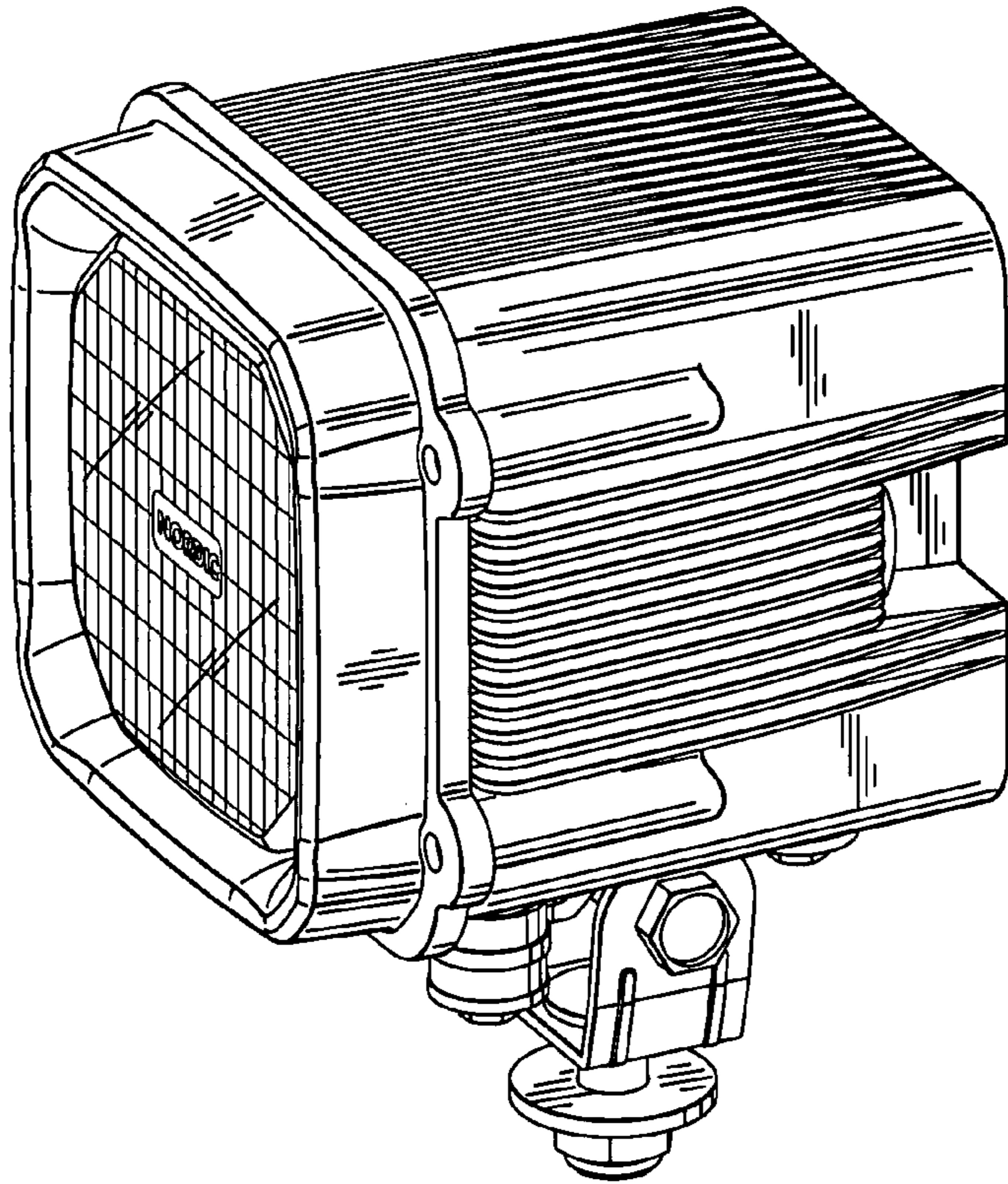


Fig. 2

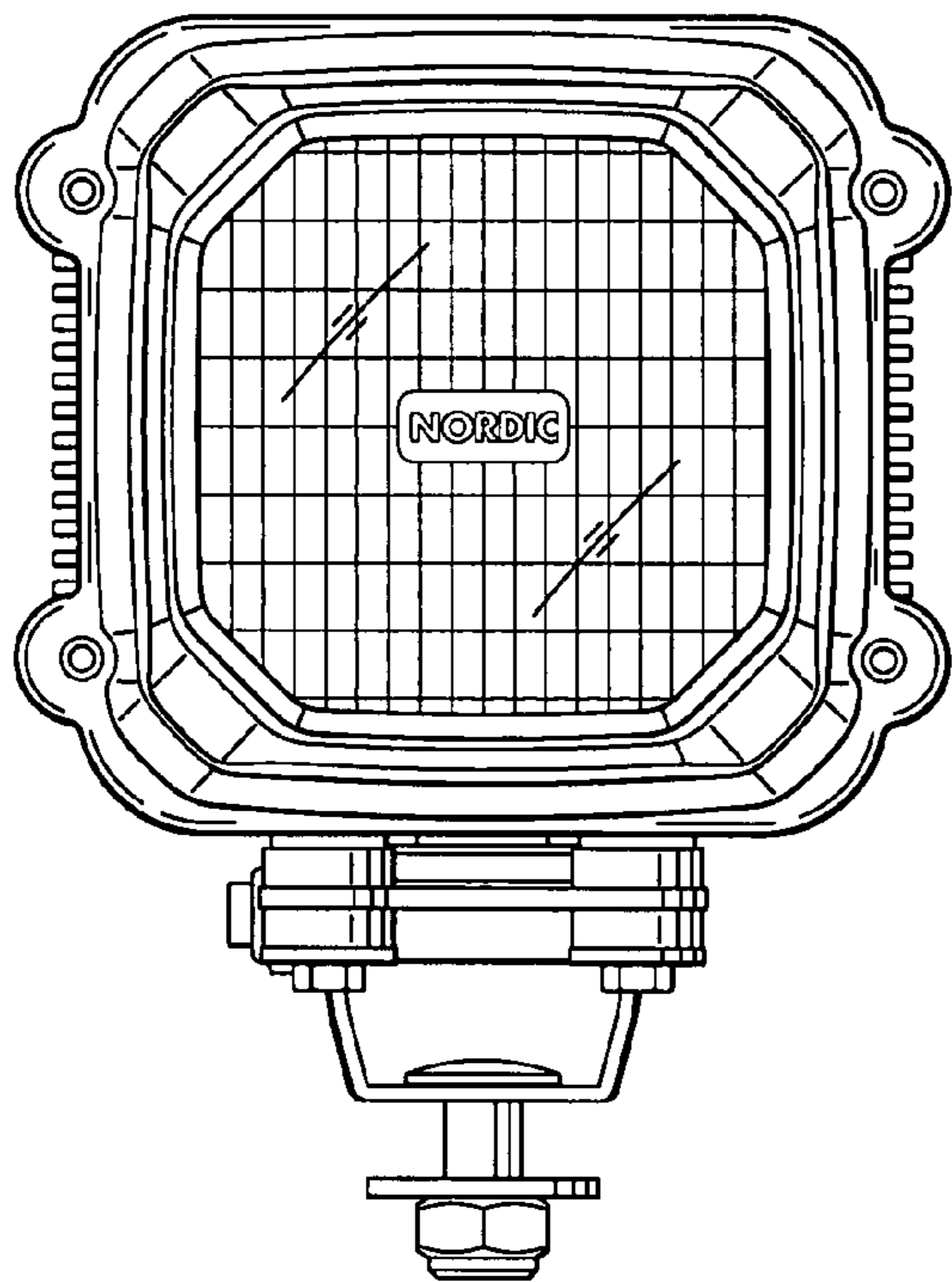


Fig. 3

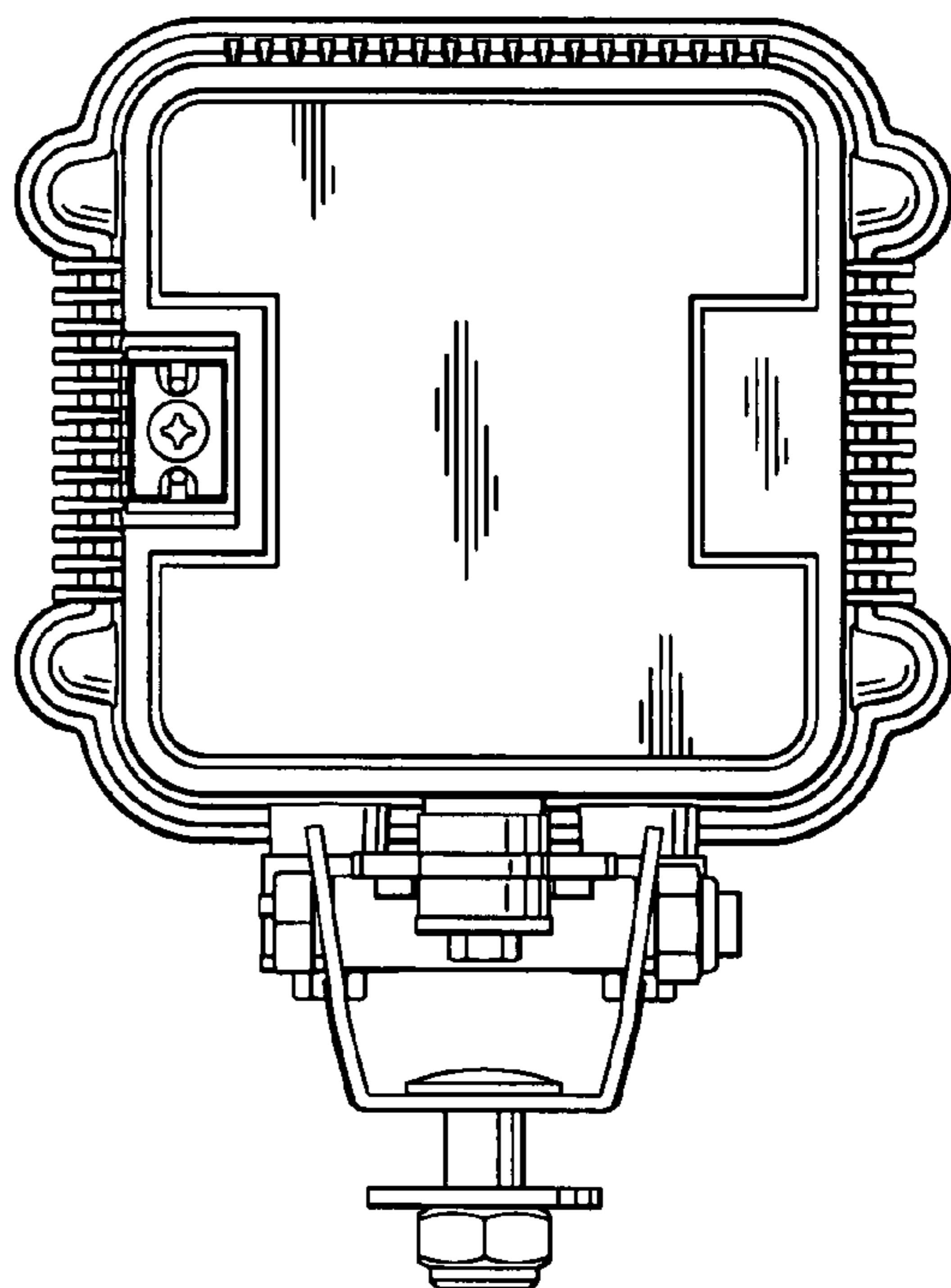


Fig. 4

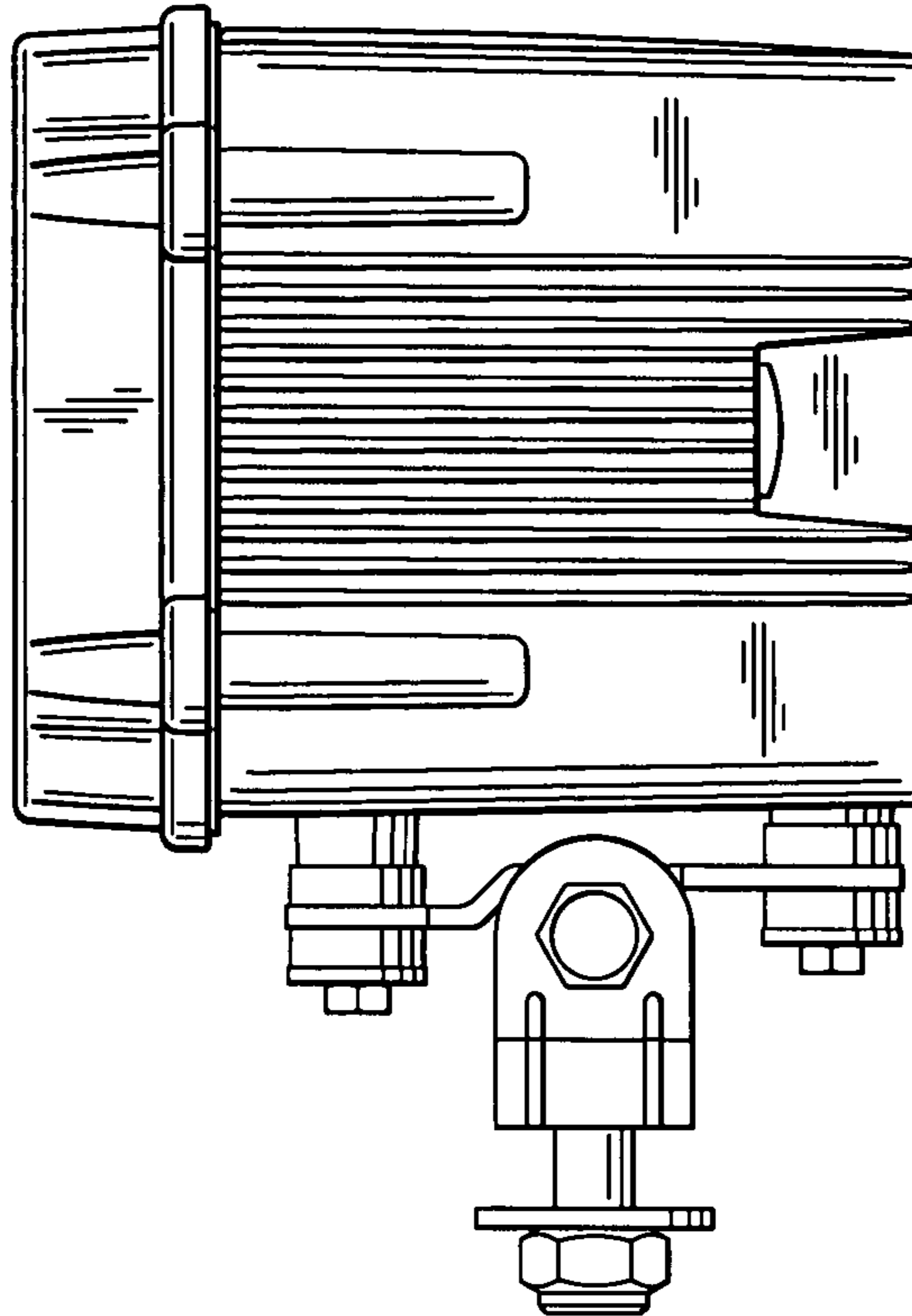


Fig. 5

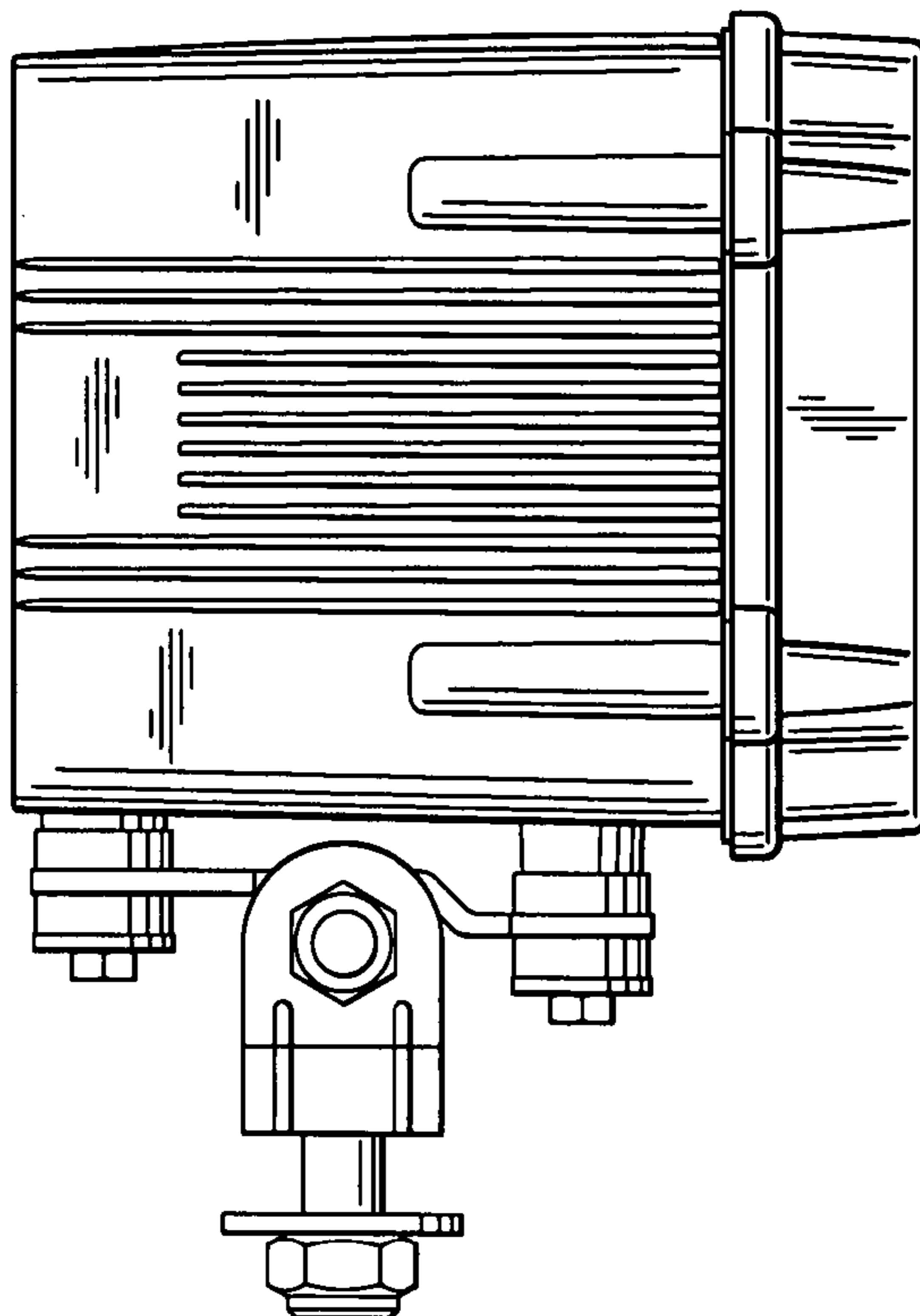


Fig. 6

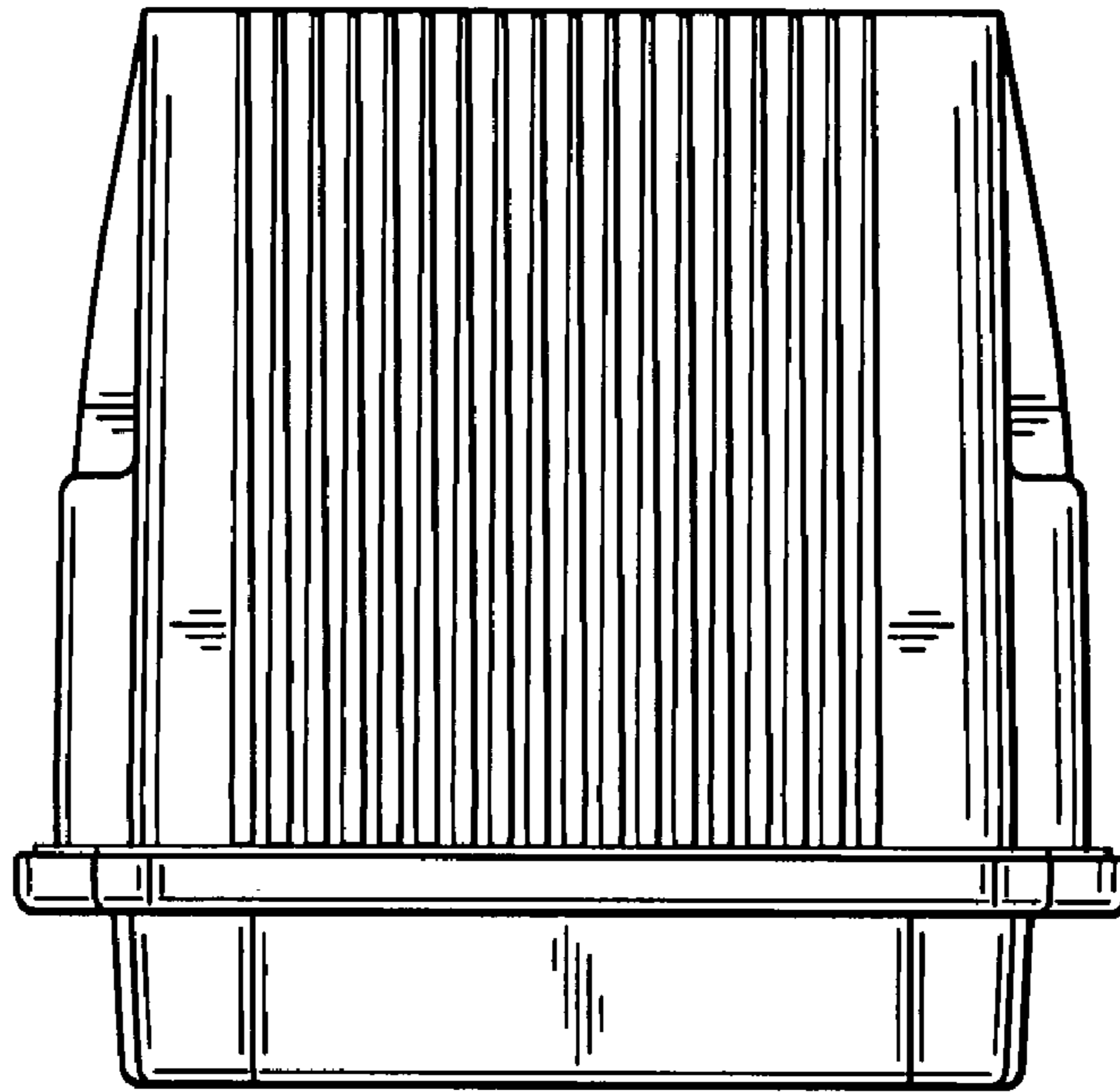


Fig. 7

