



US00D564687S

(12) **United States Design Patent**
Bucher et al.

(10) **Patent No.:** **US D564,687 S**
(45) **Date of Patent:** **** Mar. 18, 2008**

(54) **CLIP LIGHT**

2005/0117326 A1* 6/2005 Ma 362/102

(75) Inventors: **John C. Bucher**, Ft. Lauderdale, FL
(US); **Shouping Wang**, Taichung (TW)

OTHER PUBLICATIONS

Rechargeable Umbrella LED Light #B7791271 from p. 34 of the
Grill Lovers Early Summer 2007 Catalog.*

(73) Assignee: **King of Fans, Inc.**, Ft. Lauderdale, FL
(US)

* cited by examiner

(**) Term: **14 Years**

Primary Examiner—Clare E Heflin

(21) Appl. No.: **29/257,544**

(74) *Attorney, Agent, or Firm*—Marger Johnson &
McCullom, PC

(22) Filed: **Apr. 5, 2006**

(57) **CLAIM**

(51) **LOC (8) Cl.** **26-05**

The ornamental design for clip light, as shown and
described.

(52) **U.S. Cl.** **D26/60; D26/67; D26/70**

(58) **Field of Classification Search** D26/60,
D26/67-72, 85; 362/102, 240, 157-159,
362/183, 101, 431, 367

DESCRIPTION

See application file for complete search history.

FIG. 1 is a perspective view of clip light showing my new
design;

(56) **References Cited**

U.S. PATENT DOCUMENTS

4,225,909	A *	9/1980	Scholz et al.	362/367
D459,515	S *	6/2002	Gaskins et al.	D26/67
D468,472	S *	1/2003	Mullally et al.	D26/67
D475,801	S *	6/2003	Stewart	D26/67
7,134,762	B2 *	11/2006	Ma	362/102
D542,454	S *	5/2007	Chan	D26/60

FIG. 2 is a front elevational view thereof;

FIG. 3 is a rear elevational view thereof;

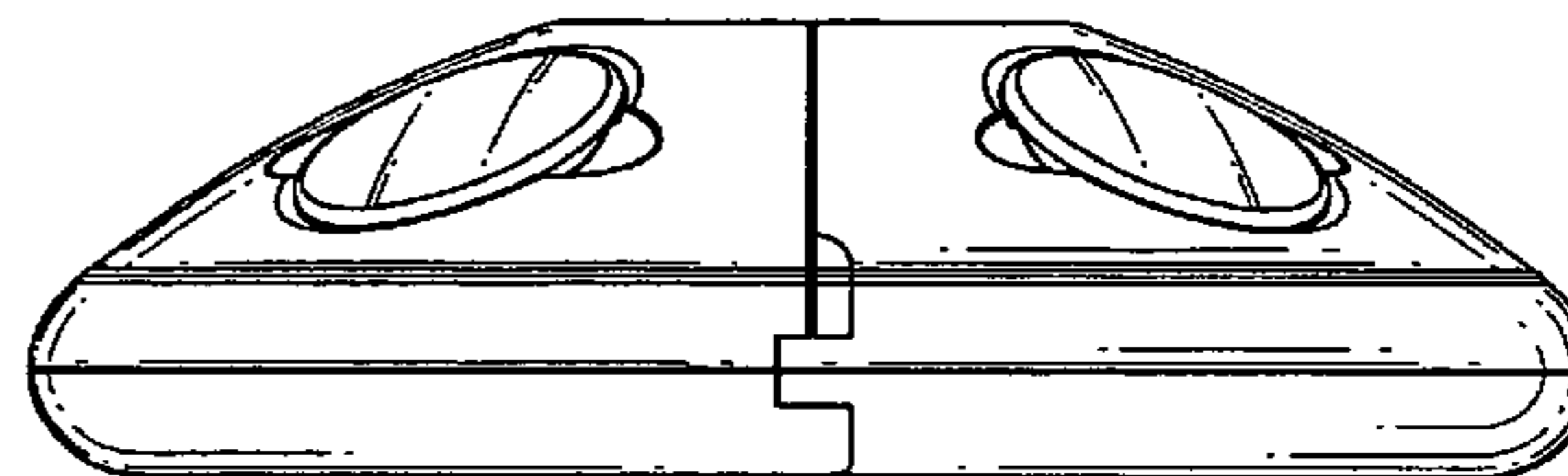
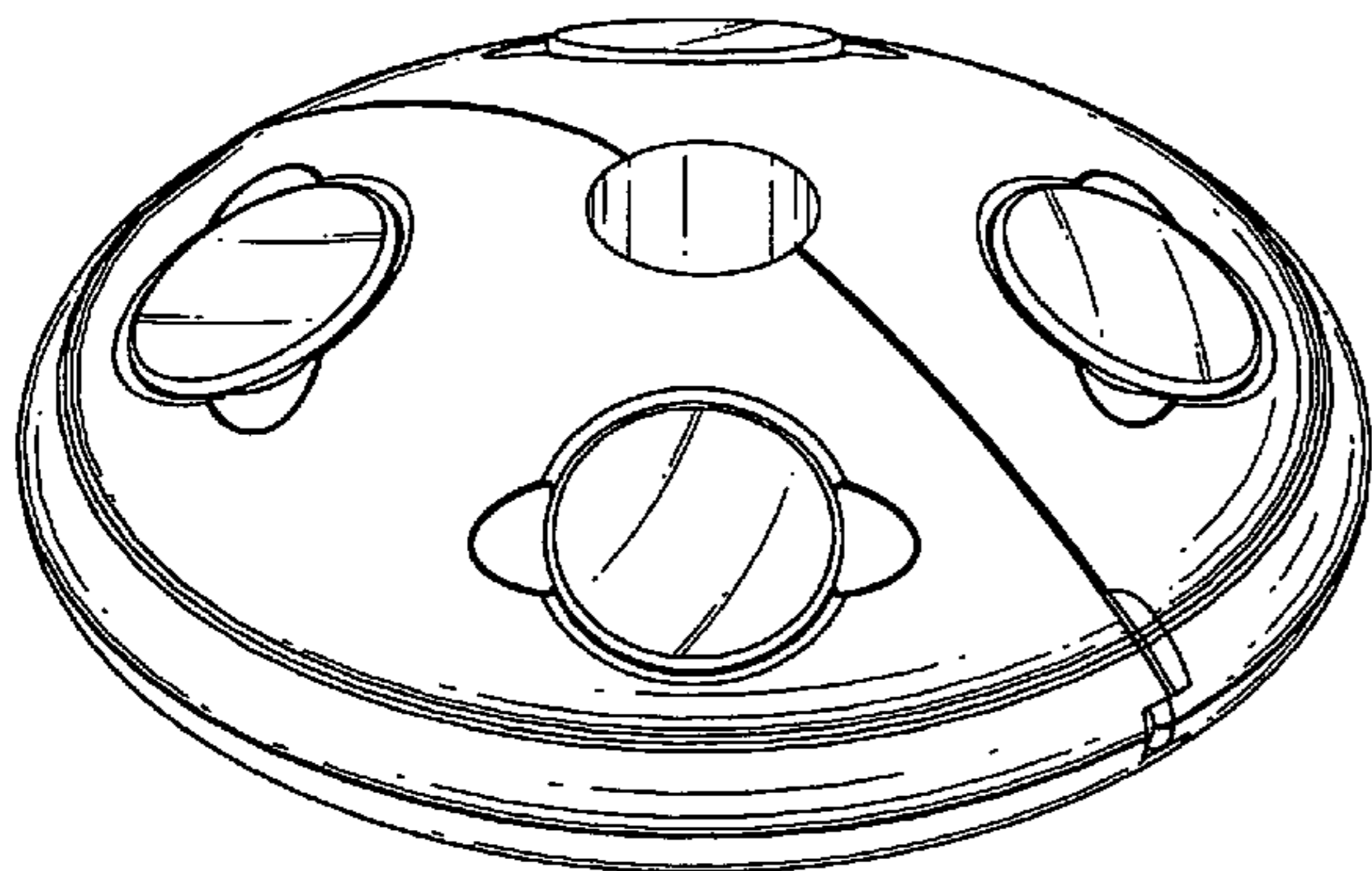
FIG. 4 is a left side elevational view thereof;

FIG. 5 is a right side elevational view thereof;

FIG. 6 is a top plan view thereof; and,

FIG. 7 is a bottom plan view thereof.

1 Claim, 5 Drawing Sheets



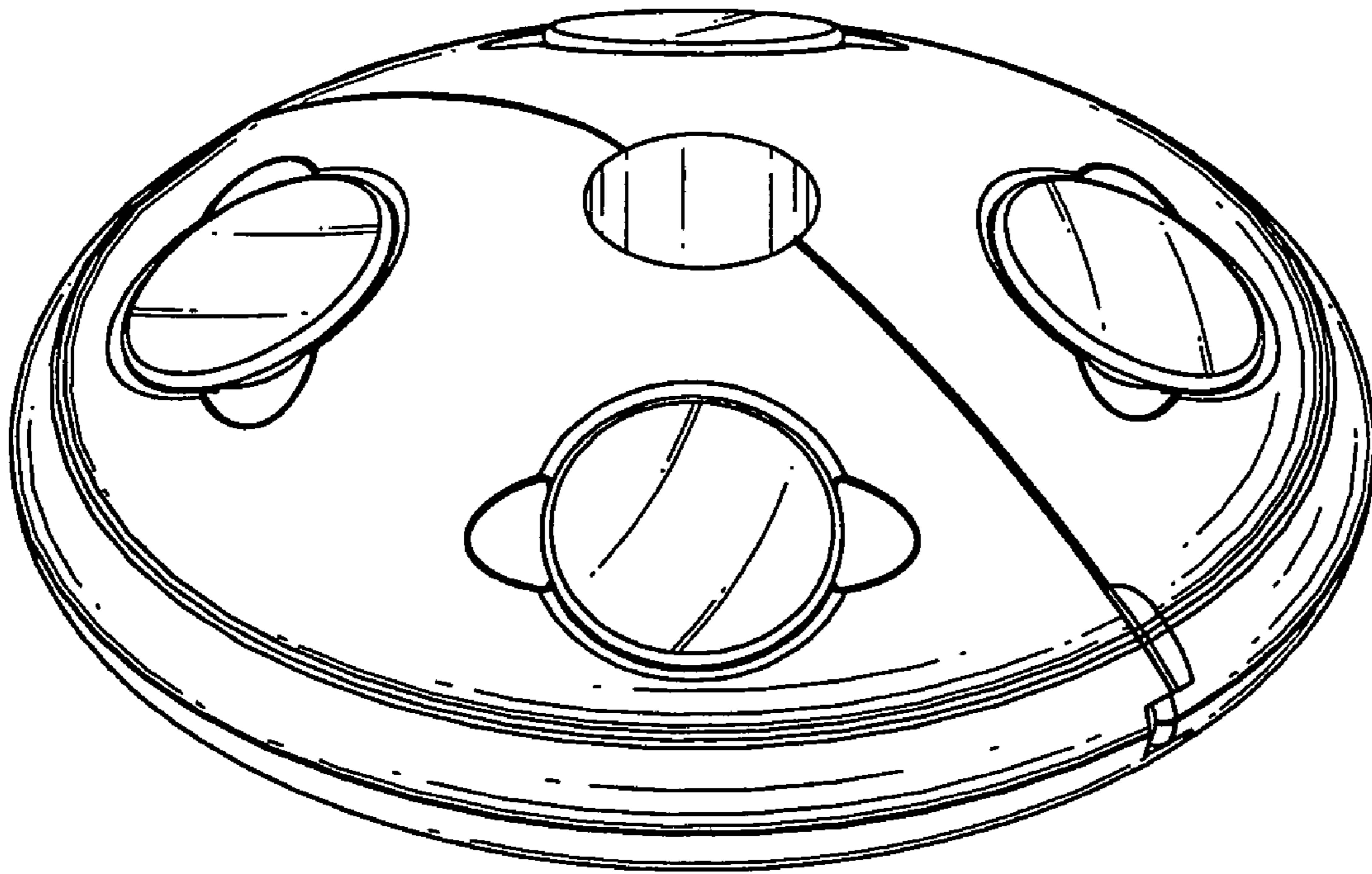


FIG. 1

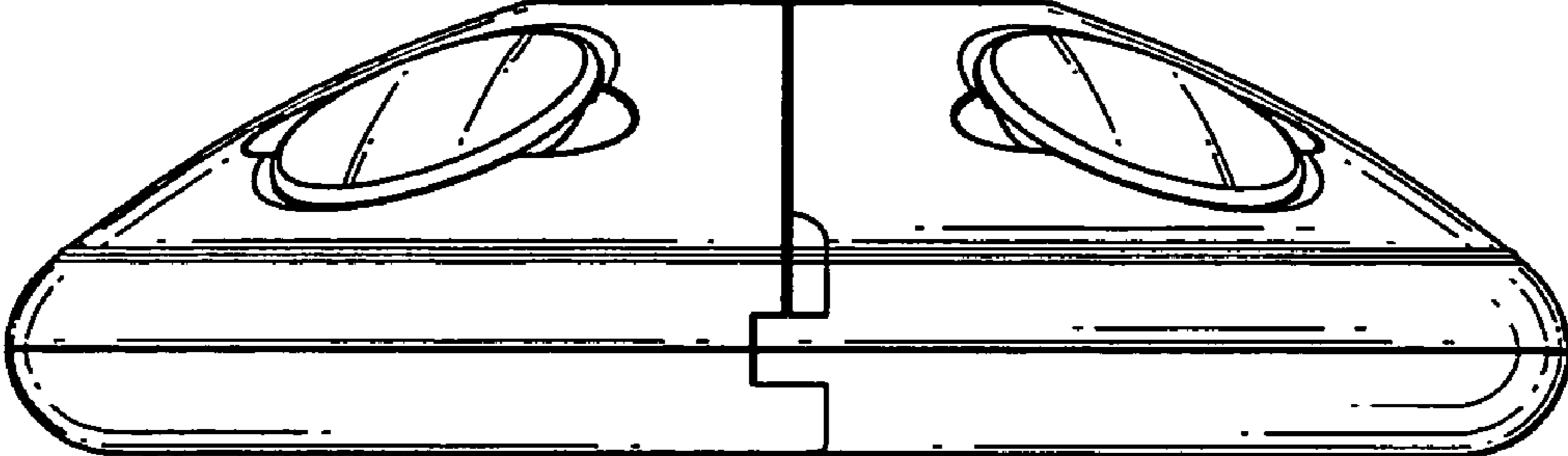


FIG. 2

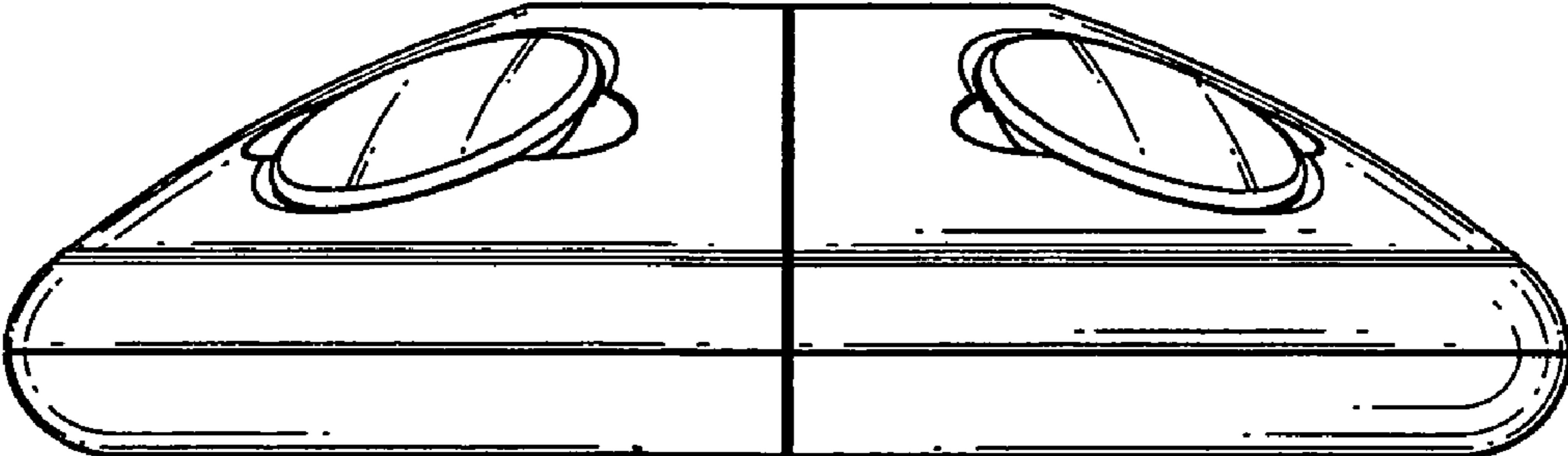


FIG. 3

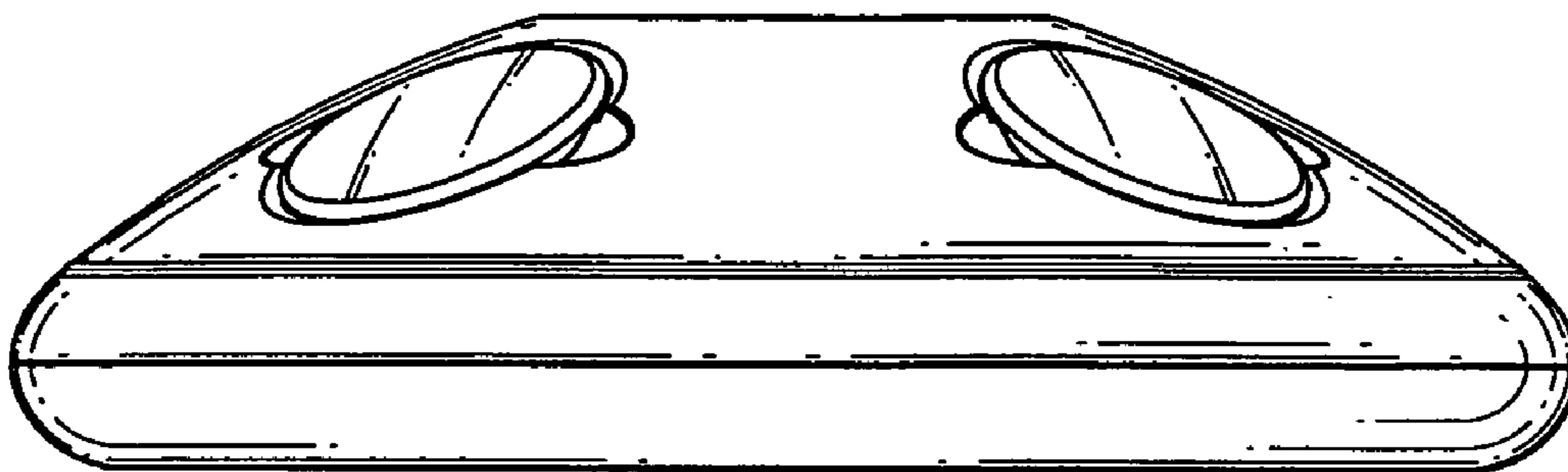


FIG. 4

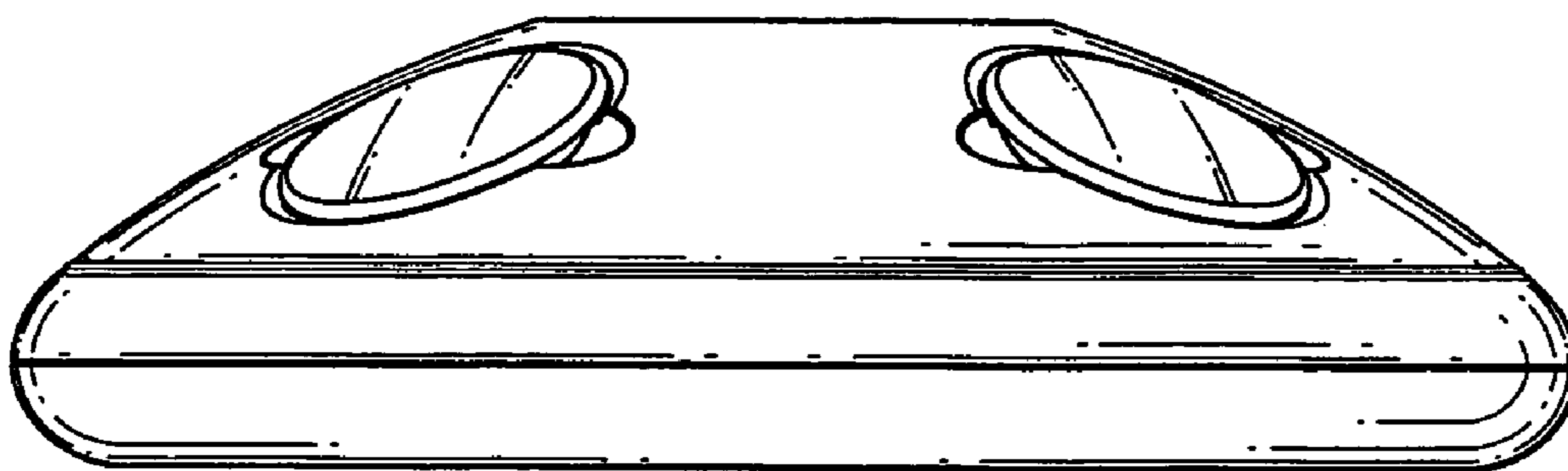


FIG. 5

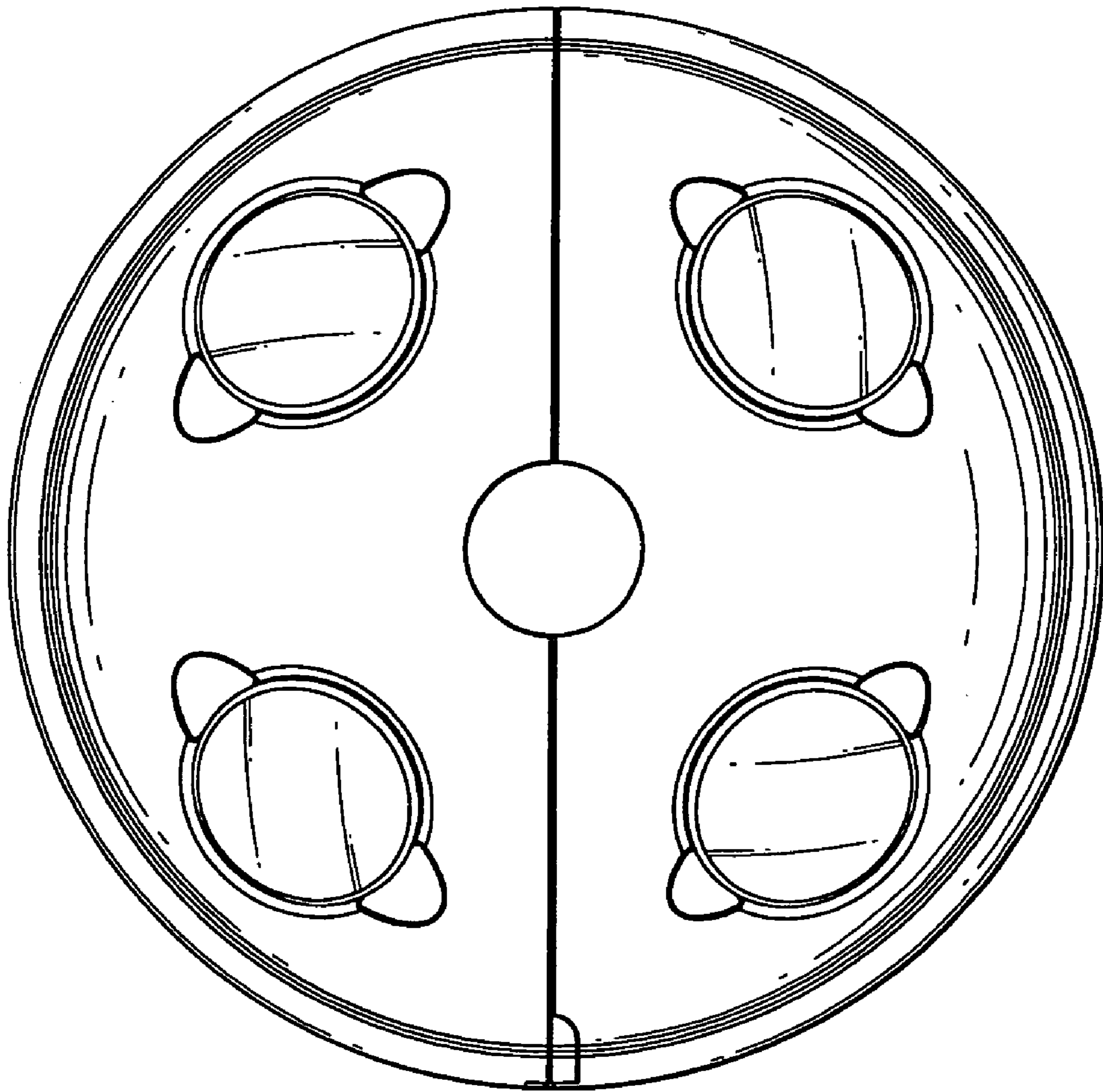


FIG. 6

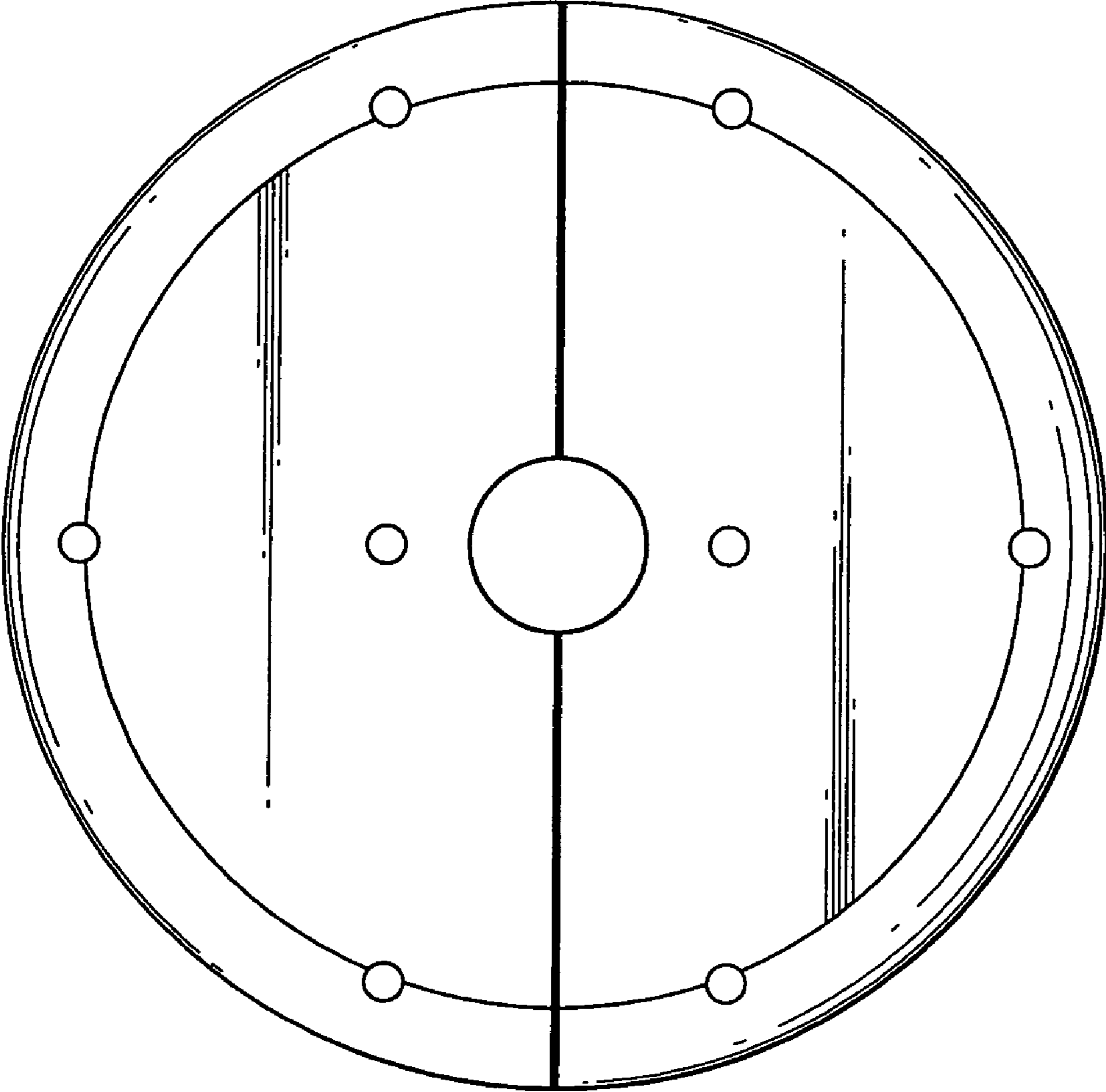


FIG. 7