



US00D564686S

(12) **United States Design Patent**
Anderson

(10) **Patent No.:** **US D564,686 S**
(45) **Date of Patent:** **** Mar. 18, 2008**

(54) **CORDLESS LAMP**

D529,651 S 10/2006 Chan
D544,124 S 6/2007 Chan
7,268,690 B2 9/2007 Nguyen et al.

(76) Inventor: **Gary Anderson**, 2005 Upton Ave.
South, Minneapolis, MN (US) 55405

(**) Term: **14 Years**

* cited by examiner

(21) Appl. No.: **29/256,555**

Primary Examiner—Clare E Heflin

(22) Filed: **Mar. 22, 2006**

(74) *Attorney, Agent, or Firm*—Patterson, Thuente, Skaar & Christensen, PA

(51) **LOC (8) Cl.** **26-05**

(57) **CLAIM**

(52) **U.S. Cl.** **D26/60; D26/62**

(58) **Field of Classification Search** D26/37,
D26/43, 44, 60–63, 65, 39, 51; 362/98, 99,
362/109–114, 191, 197, 198, 287, 427, 396;
D22/108–110

I claim the ornamental design for cordless lamp, as shown and described.

See application file for complete search history.

DESCRIPTION

(56) **References Cited**

U.S. PATENT DOCUMENTS

D130,127 S *	10/1941	Ludwig	D26/60
D130,339 S *	11/1941	Mitchell	D26/60
D147,374 S *	8/1947	Nemeroff	D26/60
D243,711 S *	3/1977	Haft	D26/62
D249,292 S	9/1978	Ishikawa et al.		
4,432,042 A	2/1984	Zeller		
D296,480 S	6/1988	Engel		
4,885,667 A	12/1989	Selden		
4,974,135 A	11/1990	Wen-tsung		
5,103,384 A *	4/1992	Drohan	362/191
5,172,974 A	12/1992	Riban		
D337,390 S	7/1993	Lin		
D376,219 S	12/1996	Heuel		
D385,052 S *	10/1997	Huang	D26/60
D391,381 S *	2/1998	Yang	D26/60
D408,092 S	4/1999	Schaak		
D427,348 S	6/2000	Huang		
D437,072 S	1/2001	Newhouse		
6,318,879 B1	11/2001	Huang		
6,322,226 B1	11/2001	Dickson		
6,402,339 B1	6/2002	Mukogawa et al.		
6,808,289 B2	10/2004	Reed		
D509,300 S *	9/2005	Muller	D24/209
7,066,621 B2	6/2006	Booty		
7,075,250 B2	7/2006	Colwell		

FIG. 1 is a perspective view of a cordless lamp according to an embodiment of the invention with device support legs shown in a folded position;

FIG. 2 is a bottom plan view of a cordless lamp according to an embodiment of the invention with device support legs shown in a folded position;

FIG. 3 is a rear elevational view of a cordless lamp according to an embodiment of the invention with device support legs shown in a folded position;

FIG. 4 is a side elevational view of a cordless lamp according to an embodiment of the invention with device support legs shown in a folded position;

FIG. 5 is a side elevational view of a cordless lamp according to an embodiment of the invention with device support legs shown in a folded position;

FIG. 6 is a top plan view of a cordless lamp according to an embodiment of the invention with device support legs shown in a folded position;

FIG. 7 is a front elevational view of a cordless lamp according to an embodiment of the invention with device support legs shown in a folded position;

FIG. 8 is a perspective view of a cordless lamp according to an embodiment of the invention with device support legs shown in an extended position;

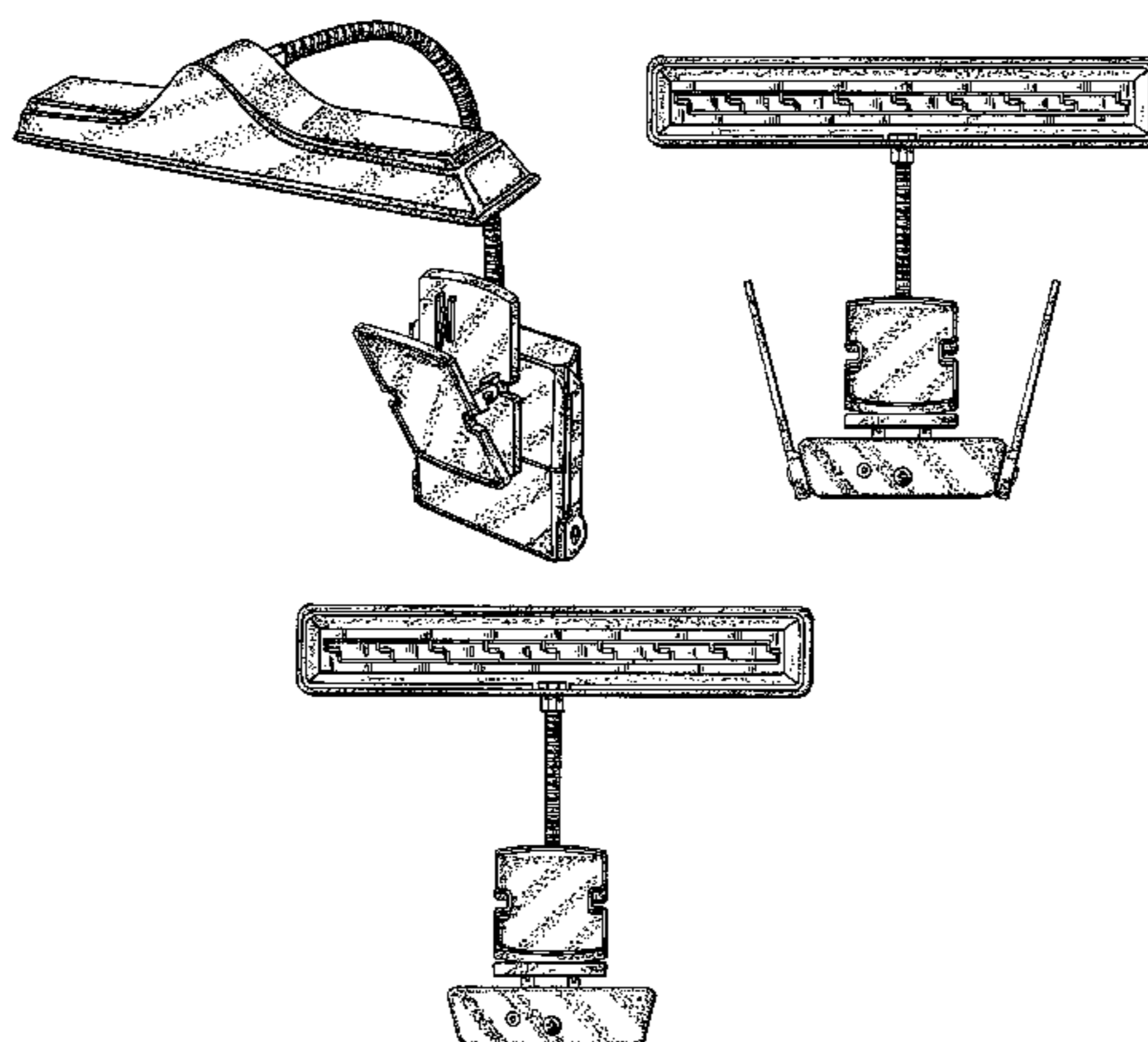


FIG. **9** is a bottom plan view of a cordless lamp according to an embodiment of the invention with device support legs shown in an extended position;

FIG. **10** is a rear elevational view of a cordless lamp according to an embodiment of the invention with device support legs shown in an extended position;

FIG. **11** is a side elevational view of a cordless lamp according to an embodiment of the invention with device support legs shown in an extended position;

FIG. **12** is a side elevational view of a cordless lamp according to an embodiment of the invention with device support legs shown in an extended position;

FIG. **13** is a top plan view of a cordless lamp according to an embodiment of the invention with device support legs shown in an extended position;

FIG. **14** is a front elevational view of a cordless lamp according to an embodiment of the invention with device support legs shown in an extended position;

FIG. **15** is a perspective view of a cordless lamp according to an embodiment of the invention;

FIG. **16** is a bottom plan view of a cordless lamp according to an embodiment of the invention;

FIG. **17** is a rear elevational view of a cordless lamp according to an embodiment of the invention;

FIG. **18** is a side elevational view of a cordless lamp according to an embodiment of the invention;

FIG. **19** is a side elevational view of a cordless lamp according to an embodiment of the invention;

FIG. **20** is a top plan view of a cordless lamp according to an embodiment of the invention; and,

FIG. **21** is a front elevational view of a cordless lamp according to an embodiment of the invention.

1 Claim, 12 Drawing Sheets

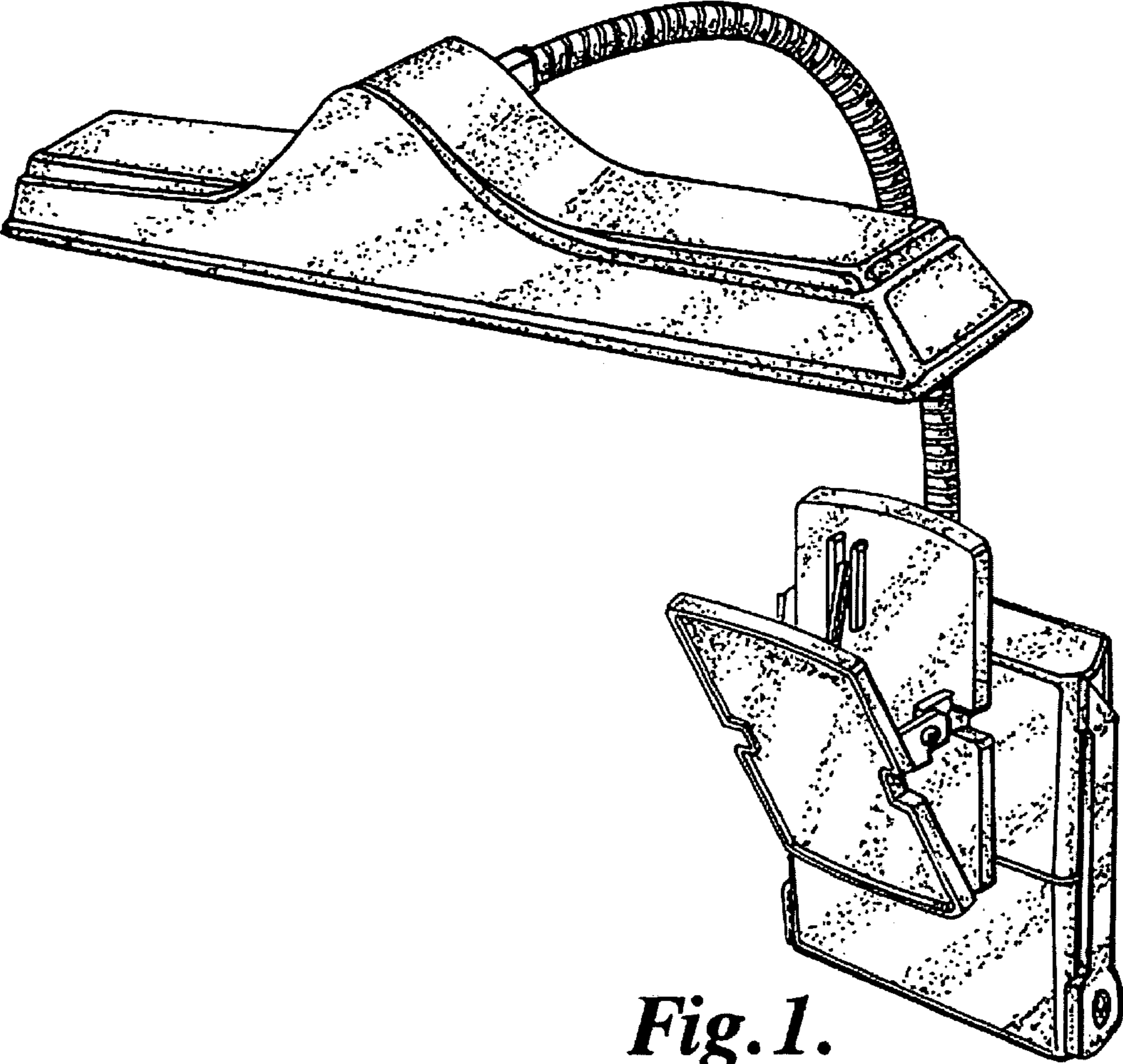


Fig. 1.

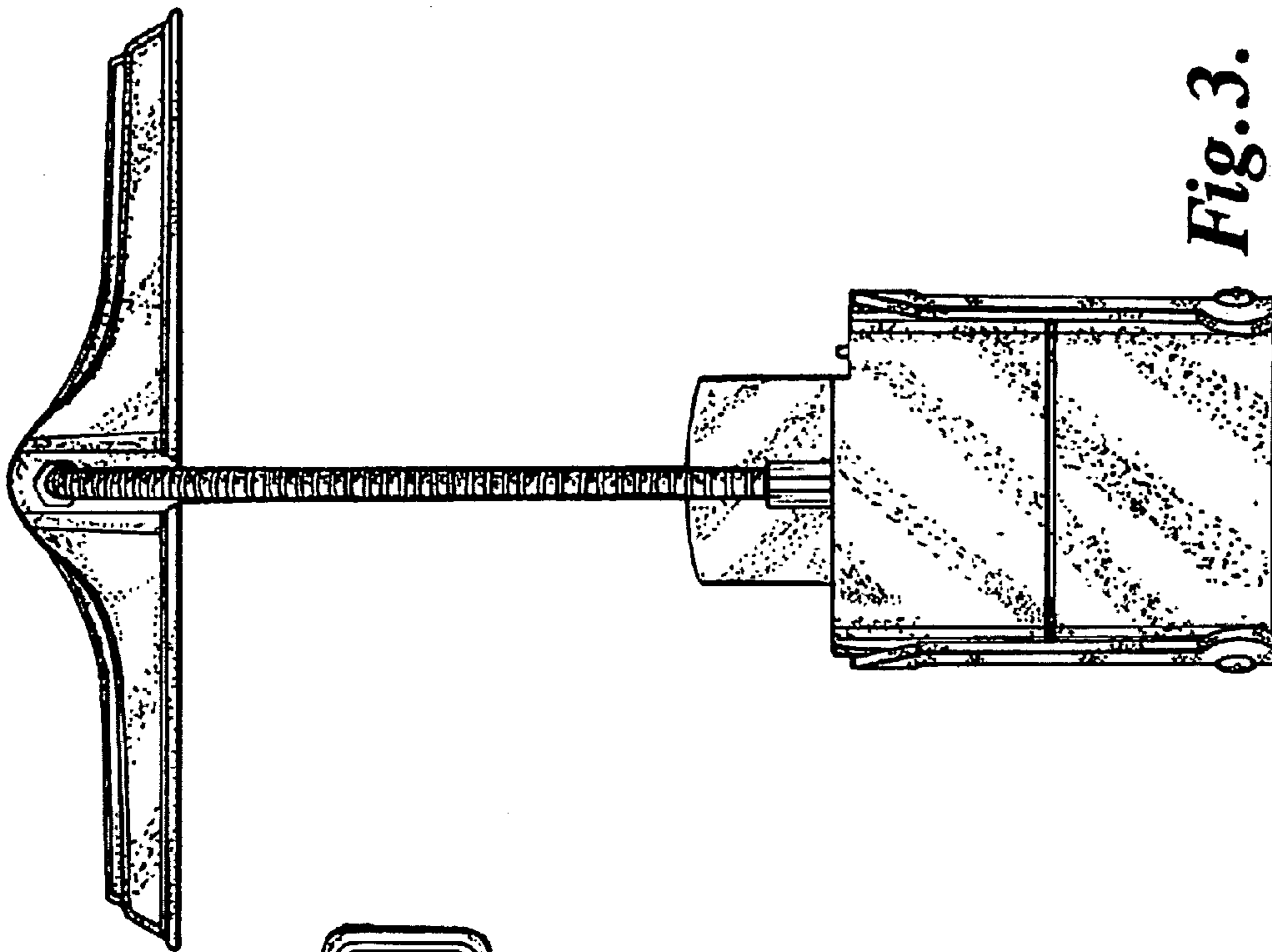


Fig. 3.

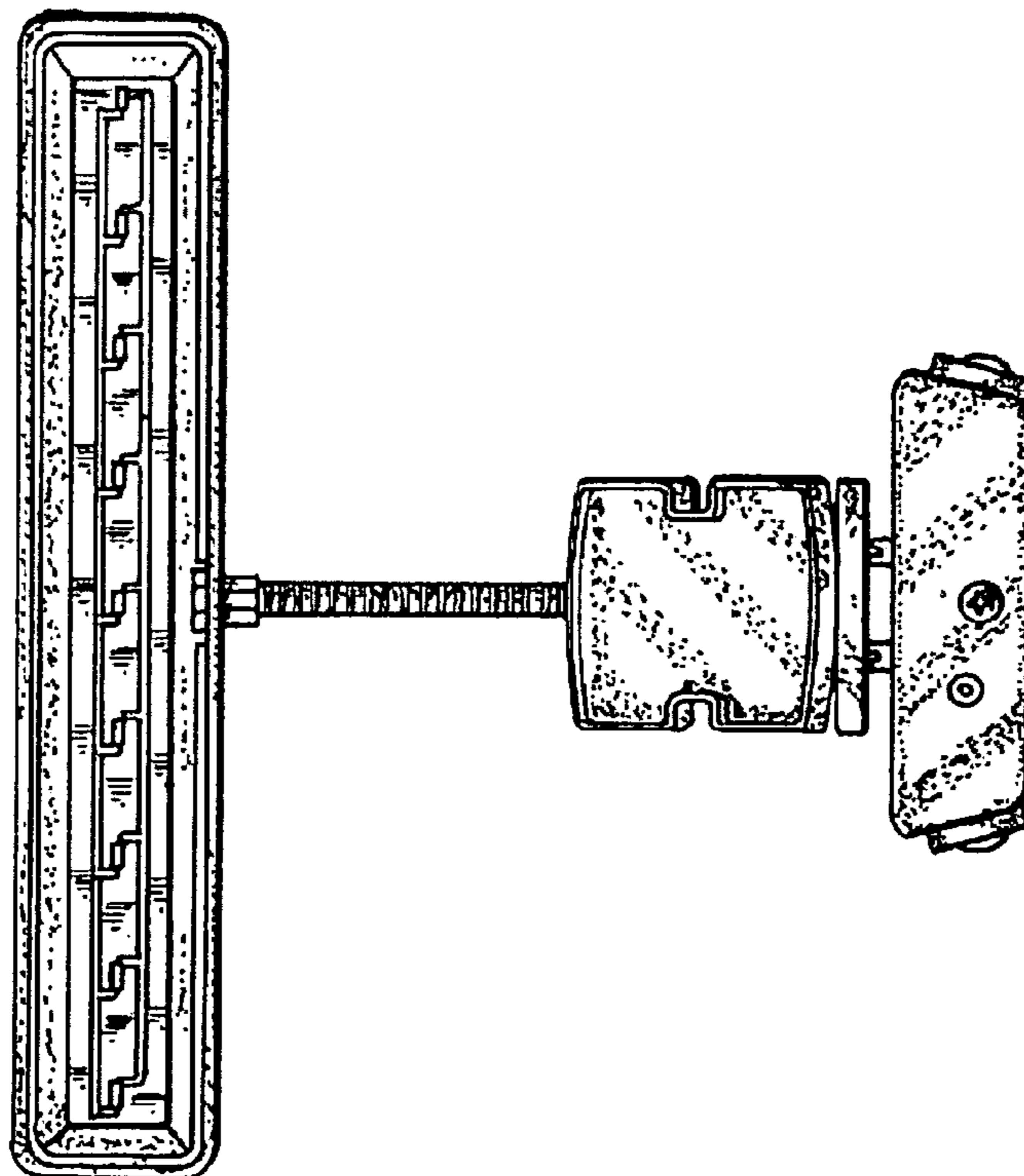


Fig. 2.

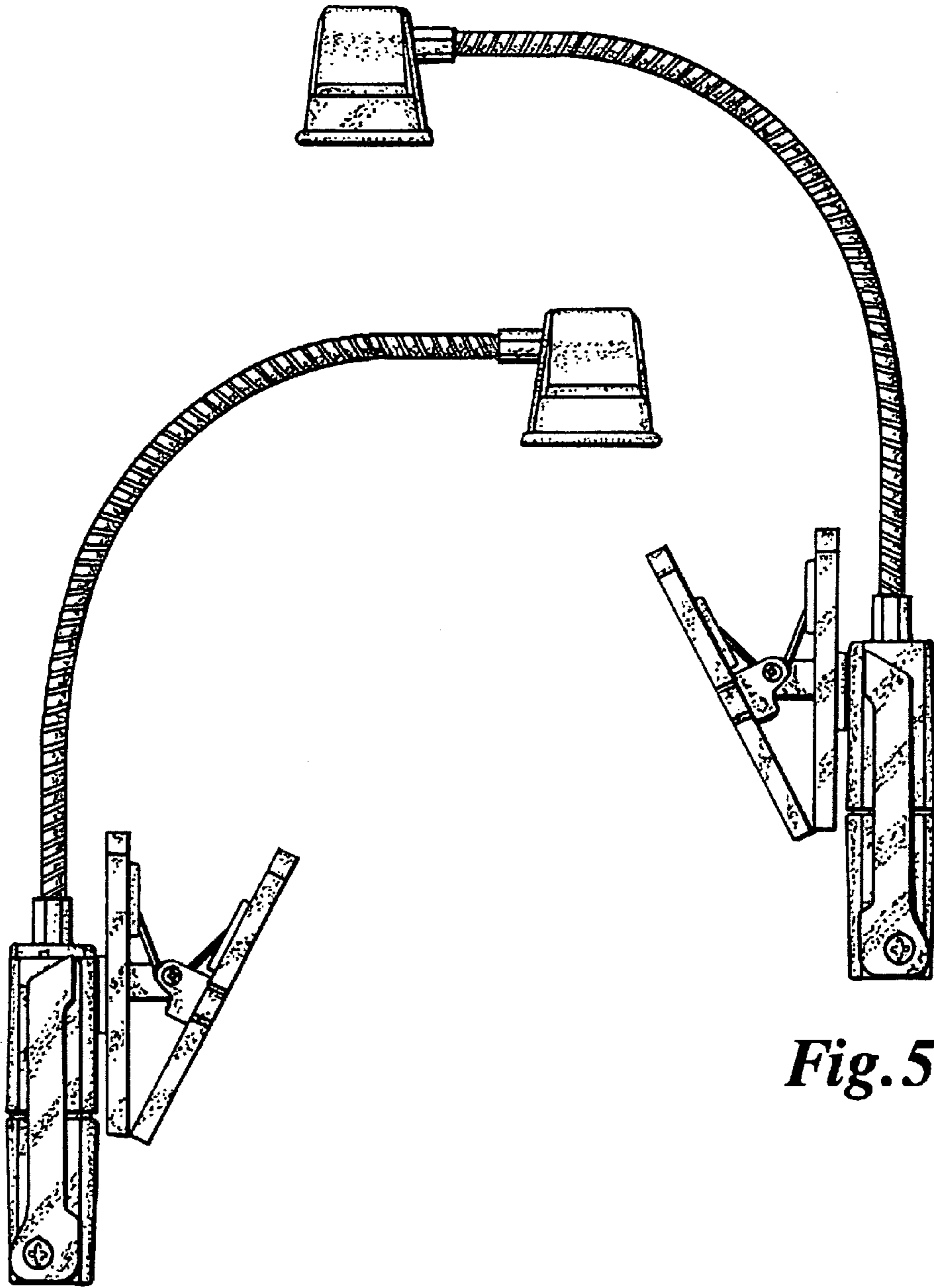


Fig. 4.

Fig. 5.

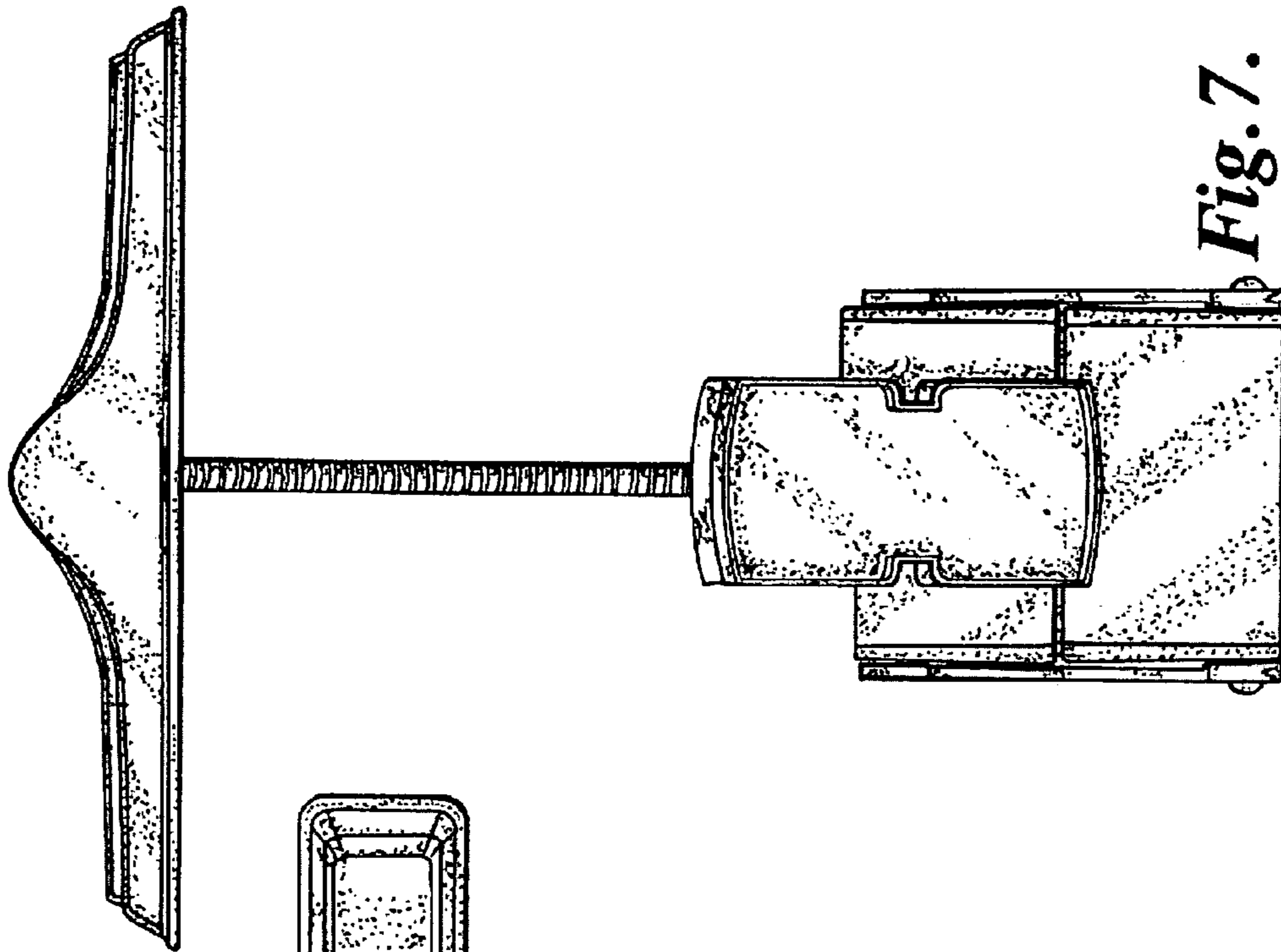


Fig. 7.

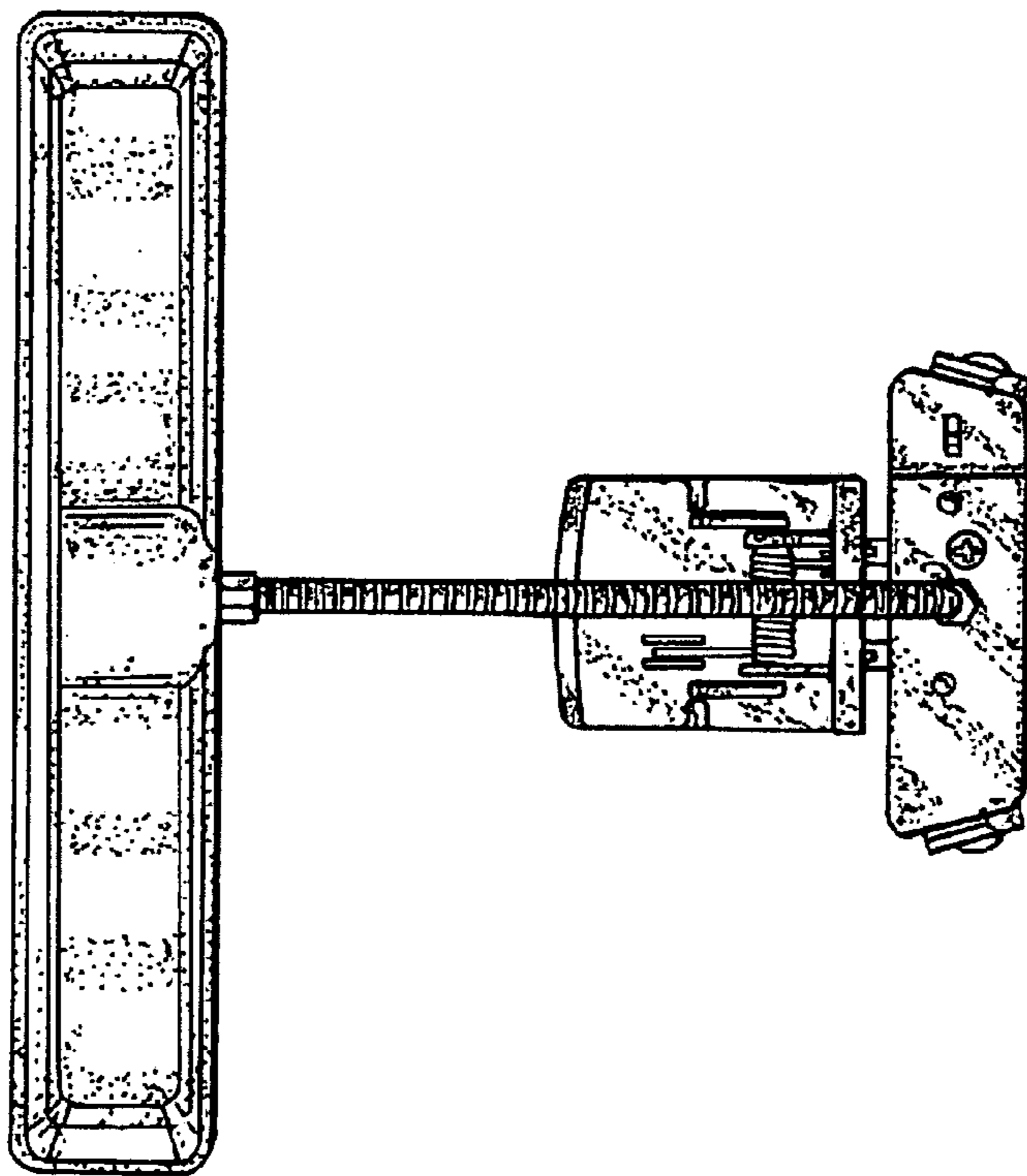


Fig. 6.

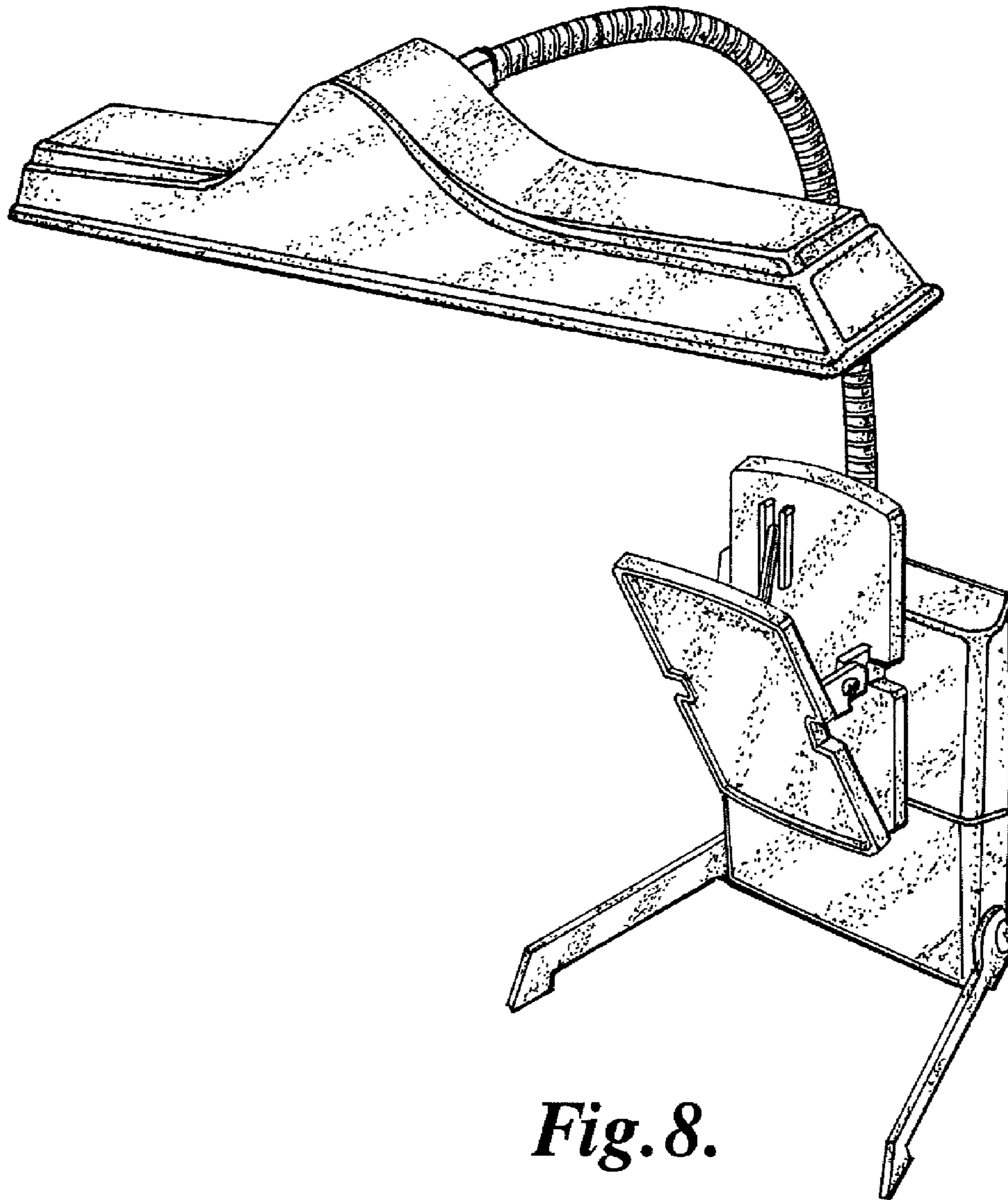


Fig. 8.

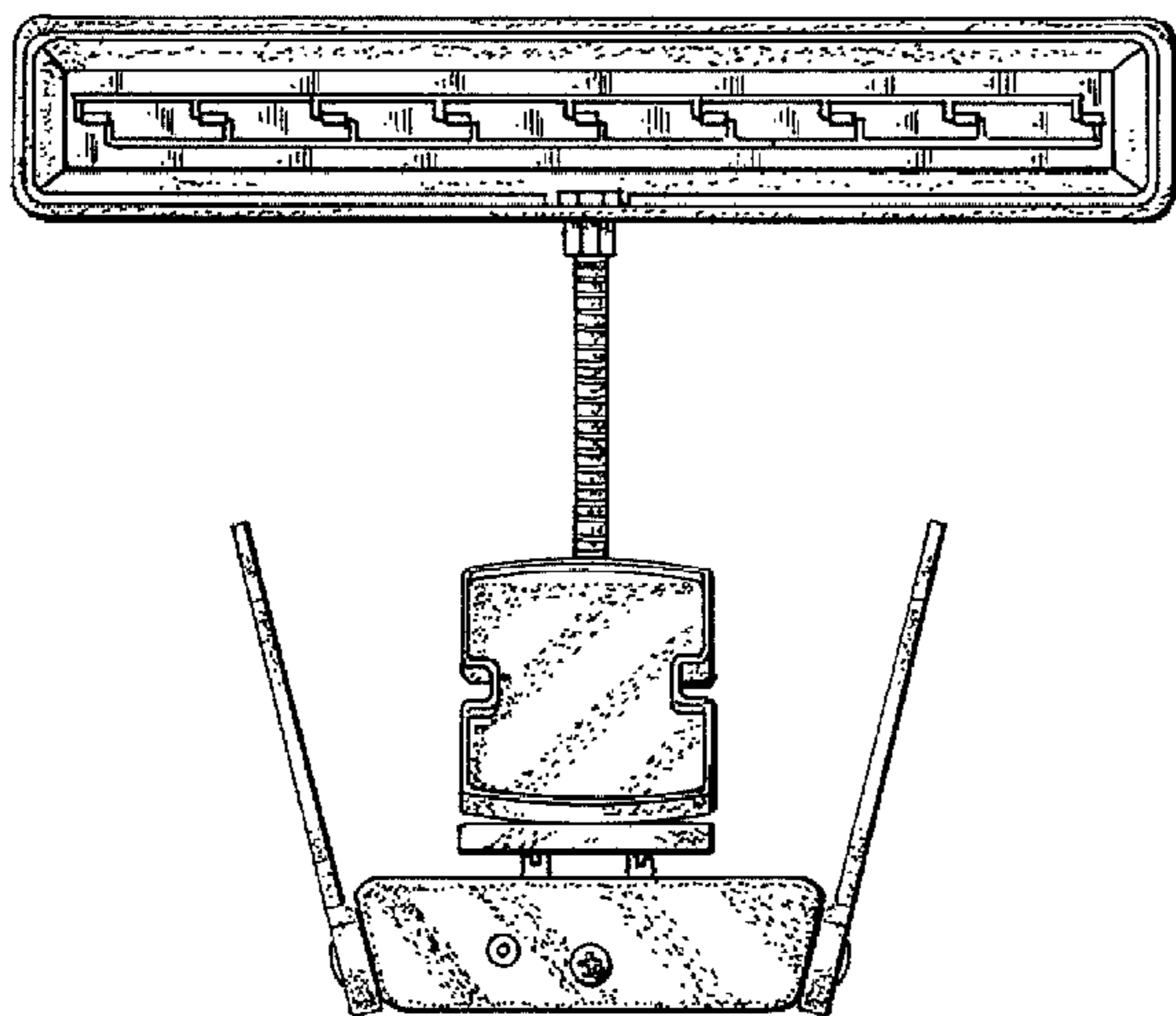


Fig. 9.

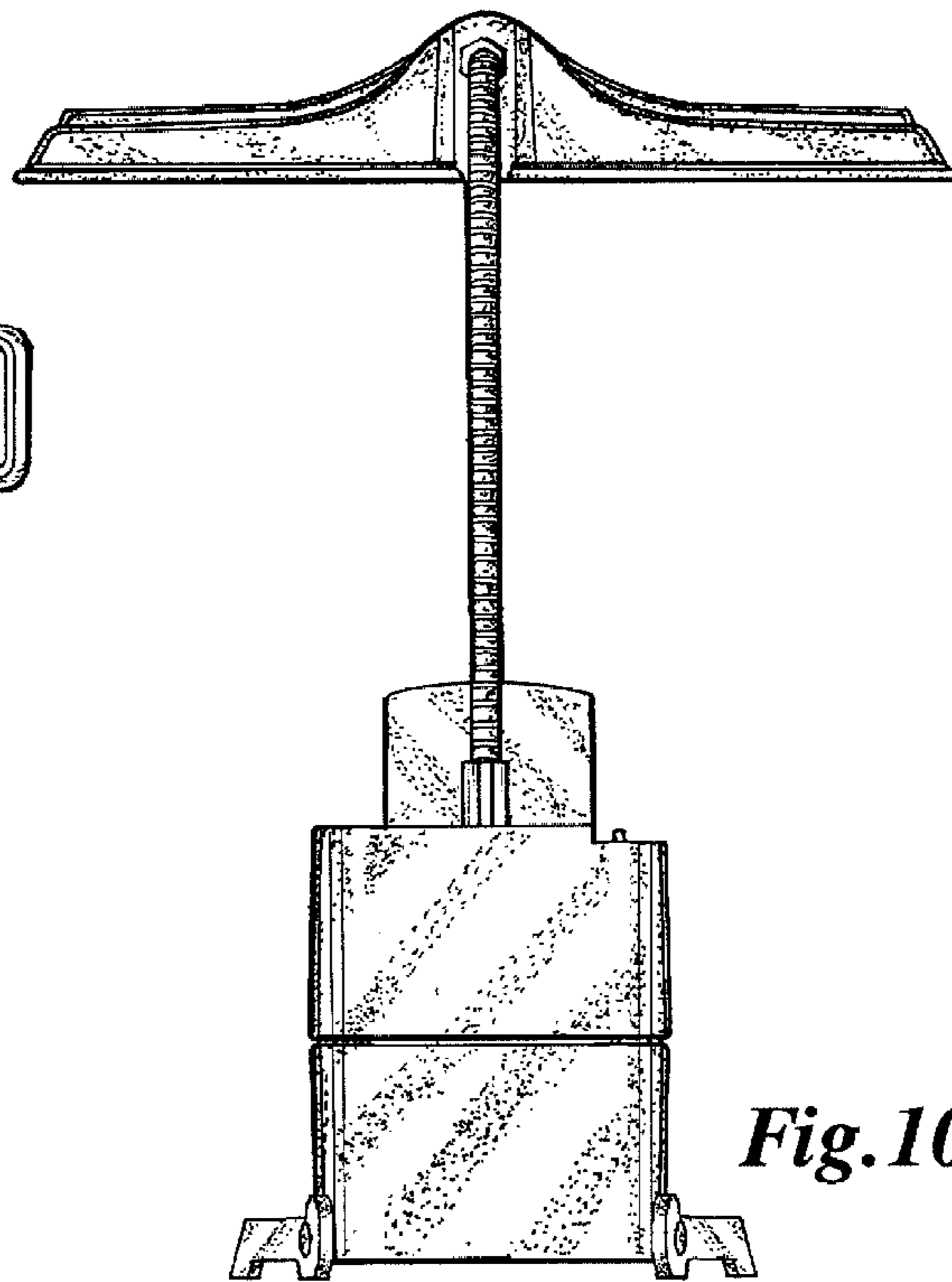


Fig. 10.

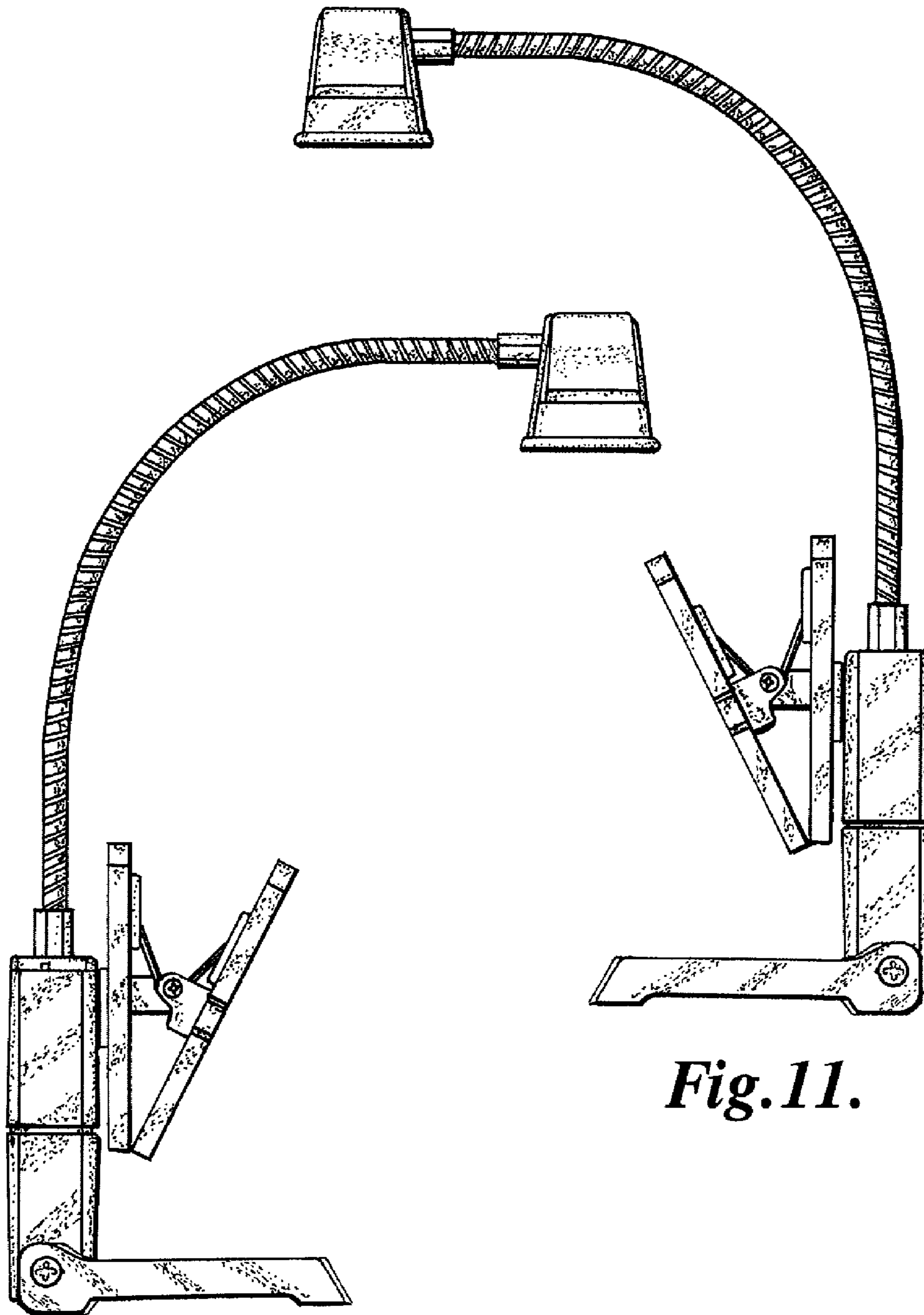


Fig. 11.

Fig. 12.

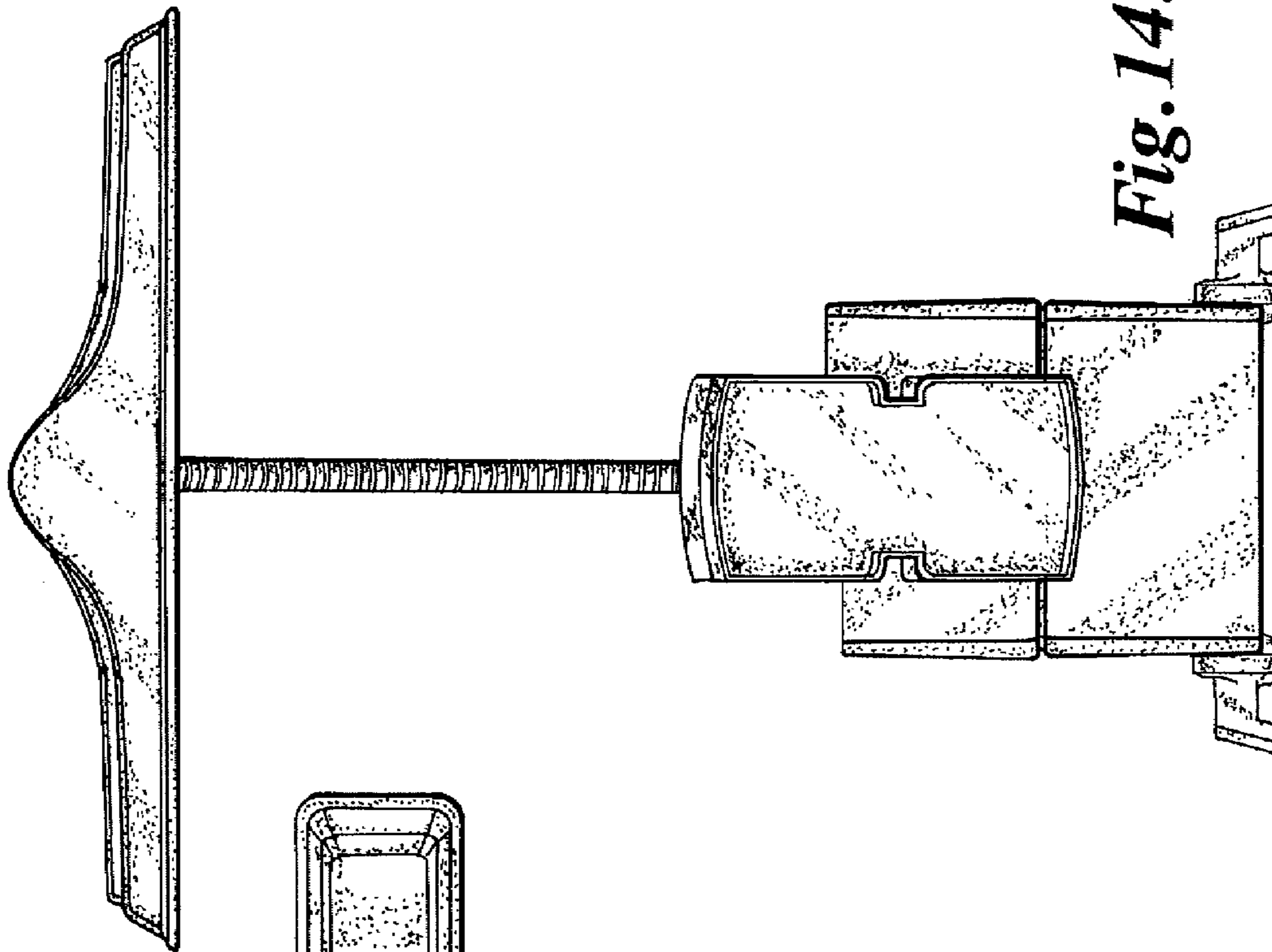


Fig. 14.

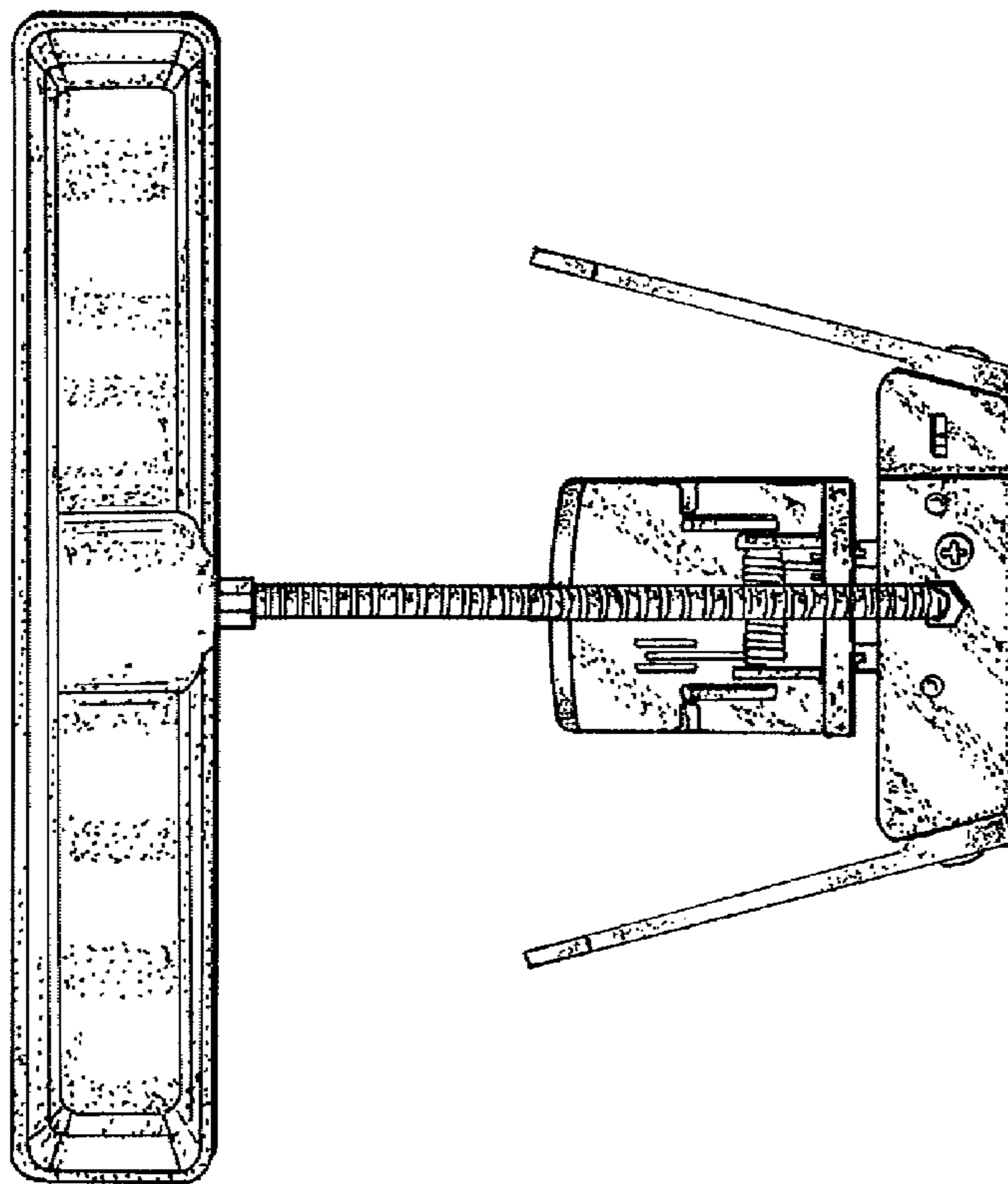


Fig. 13.

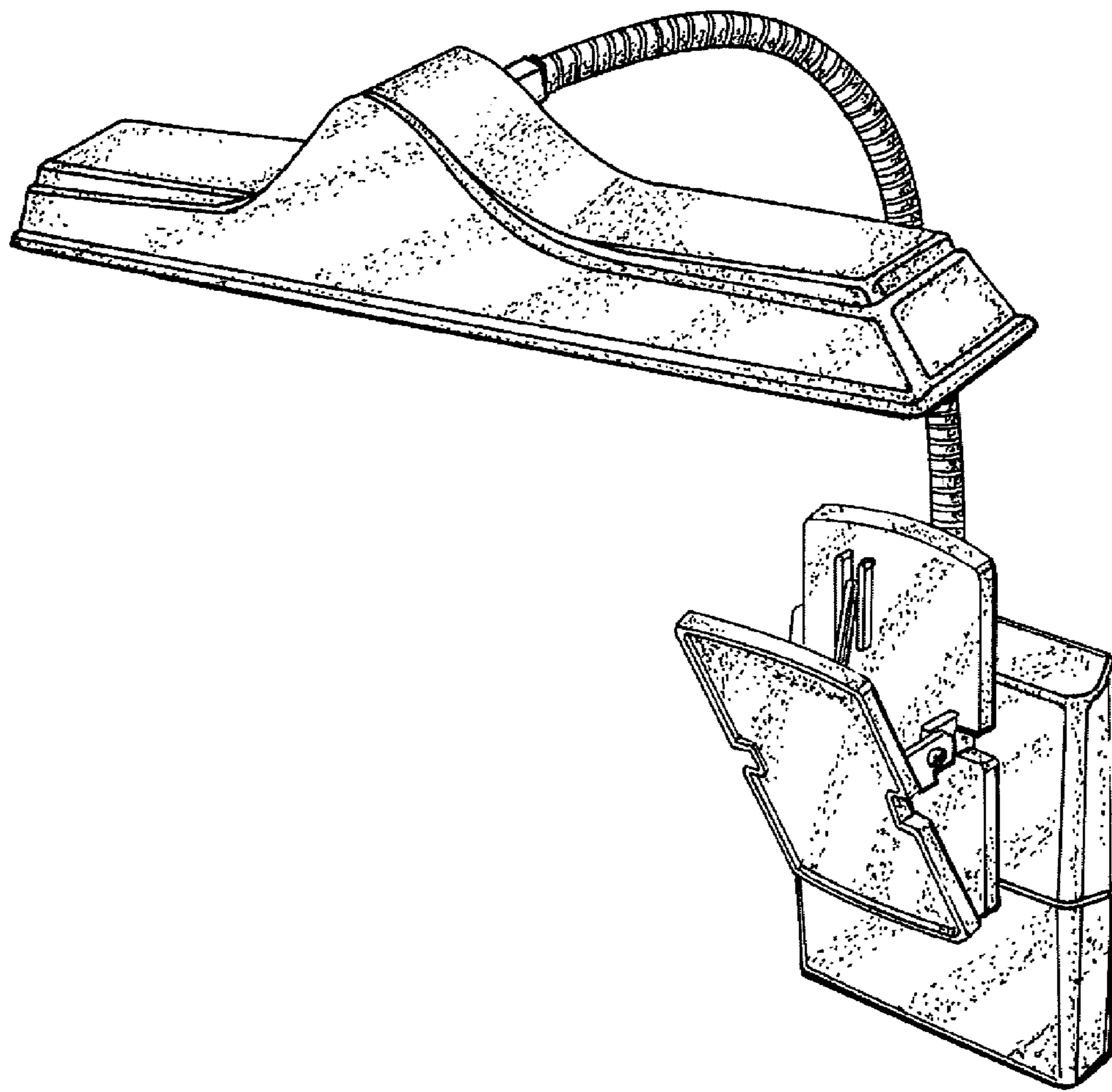


Fig. 15.

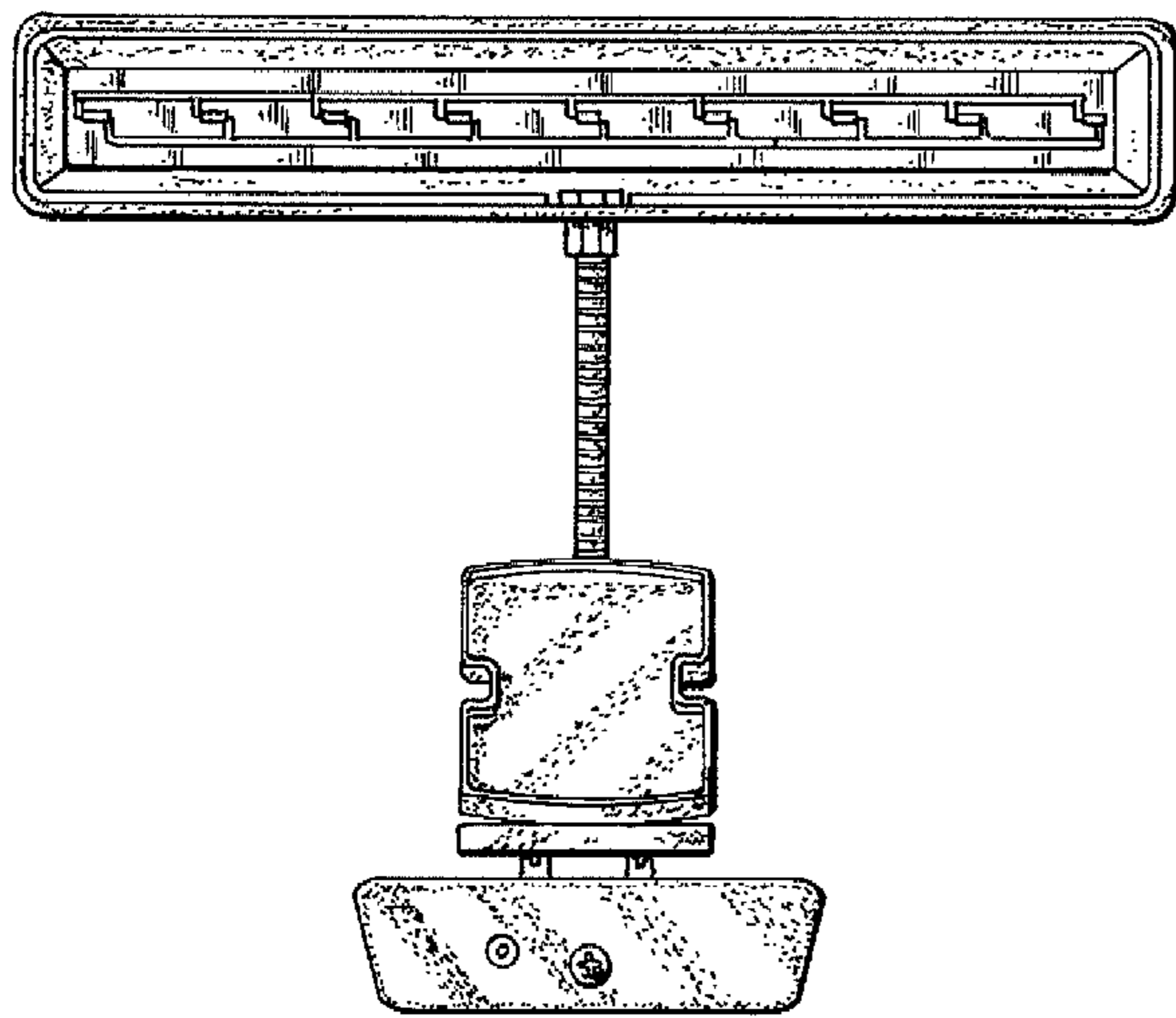


Fig. 16.

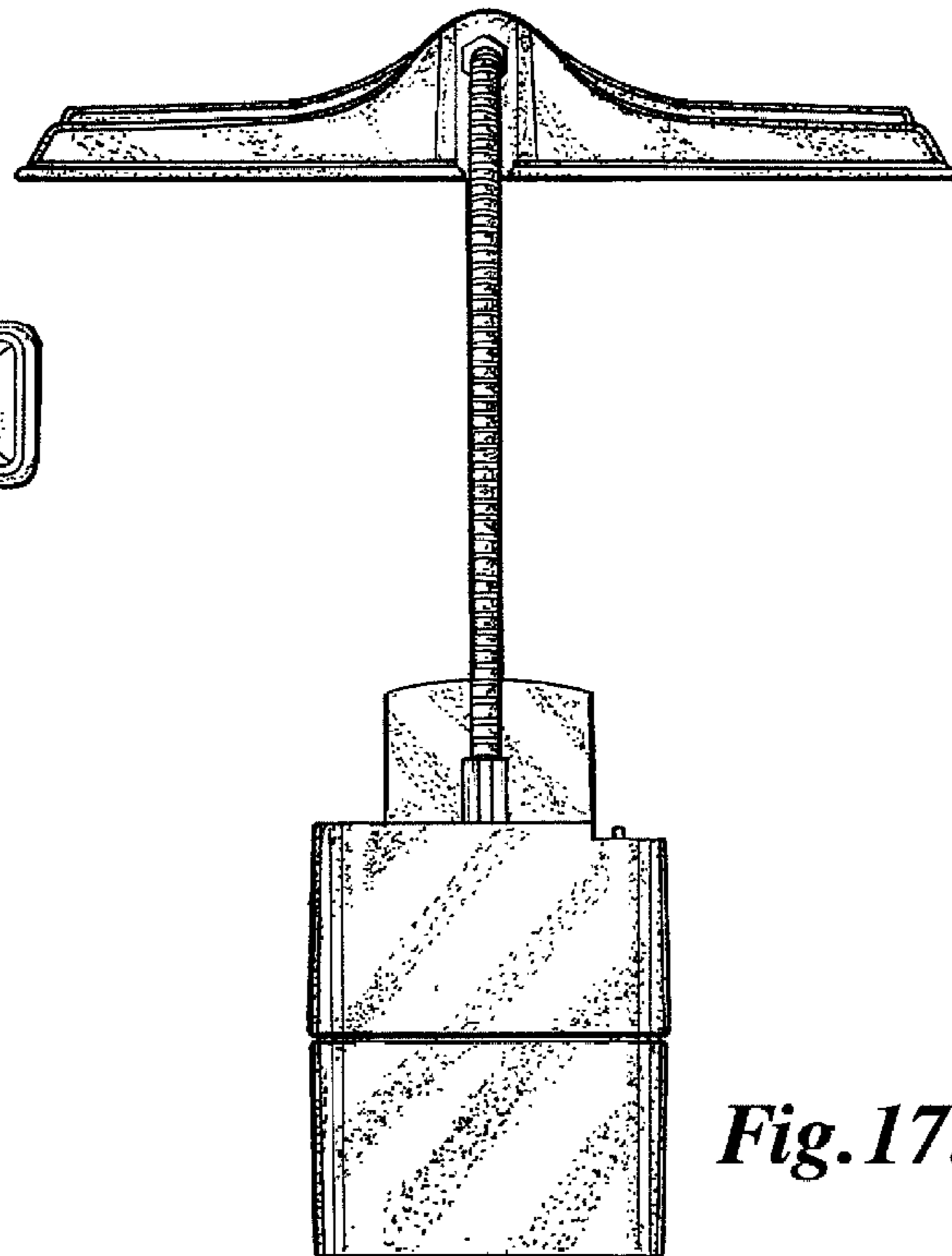


Fig. 17.

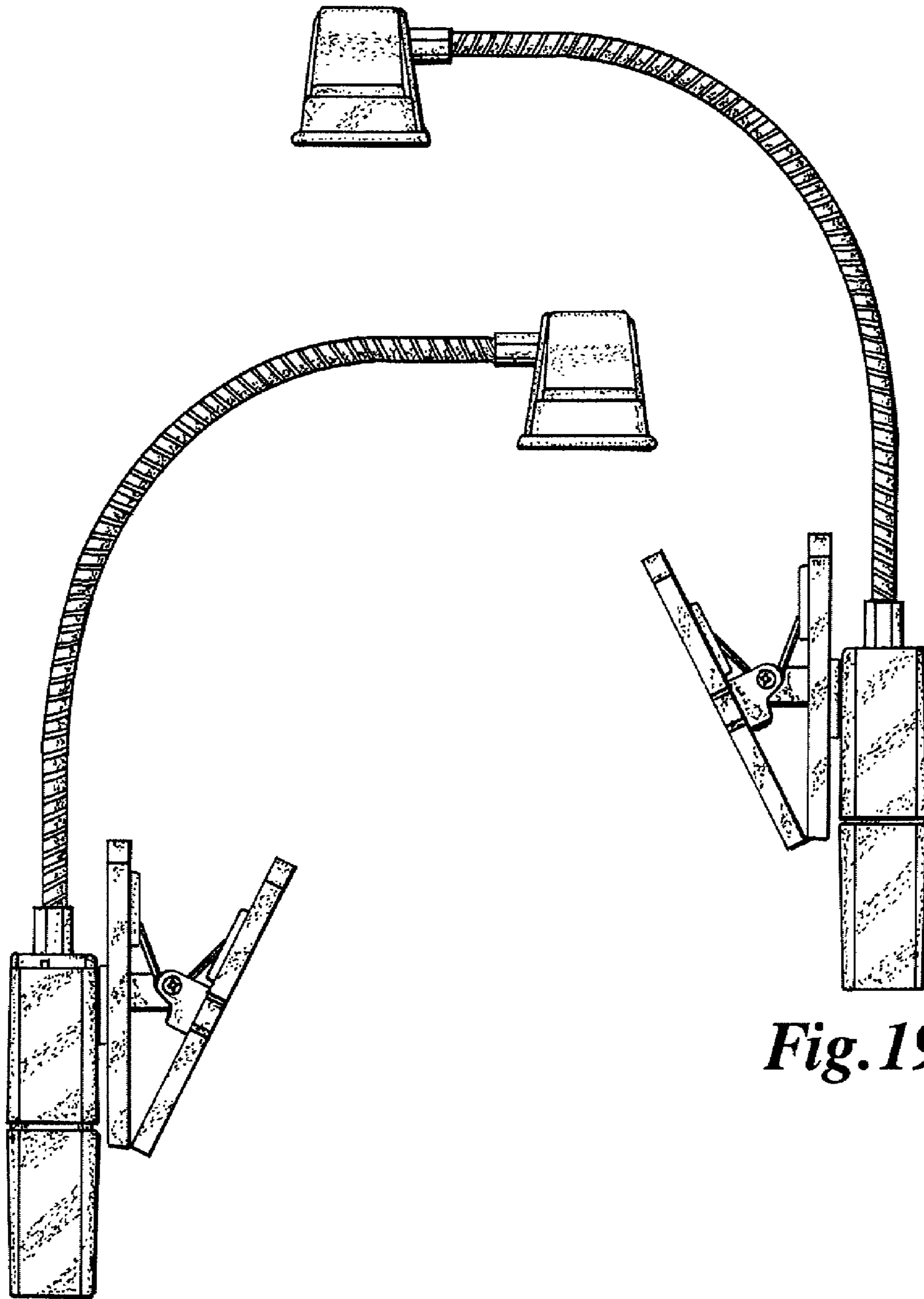


Fig. 18.

Fig. 19.

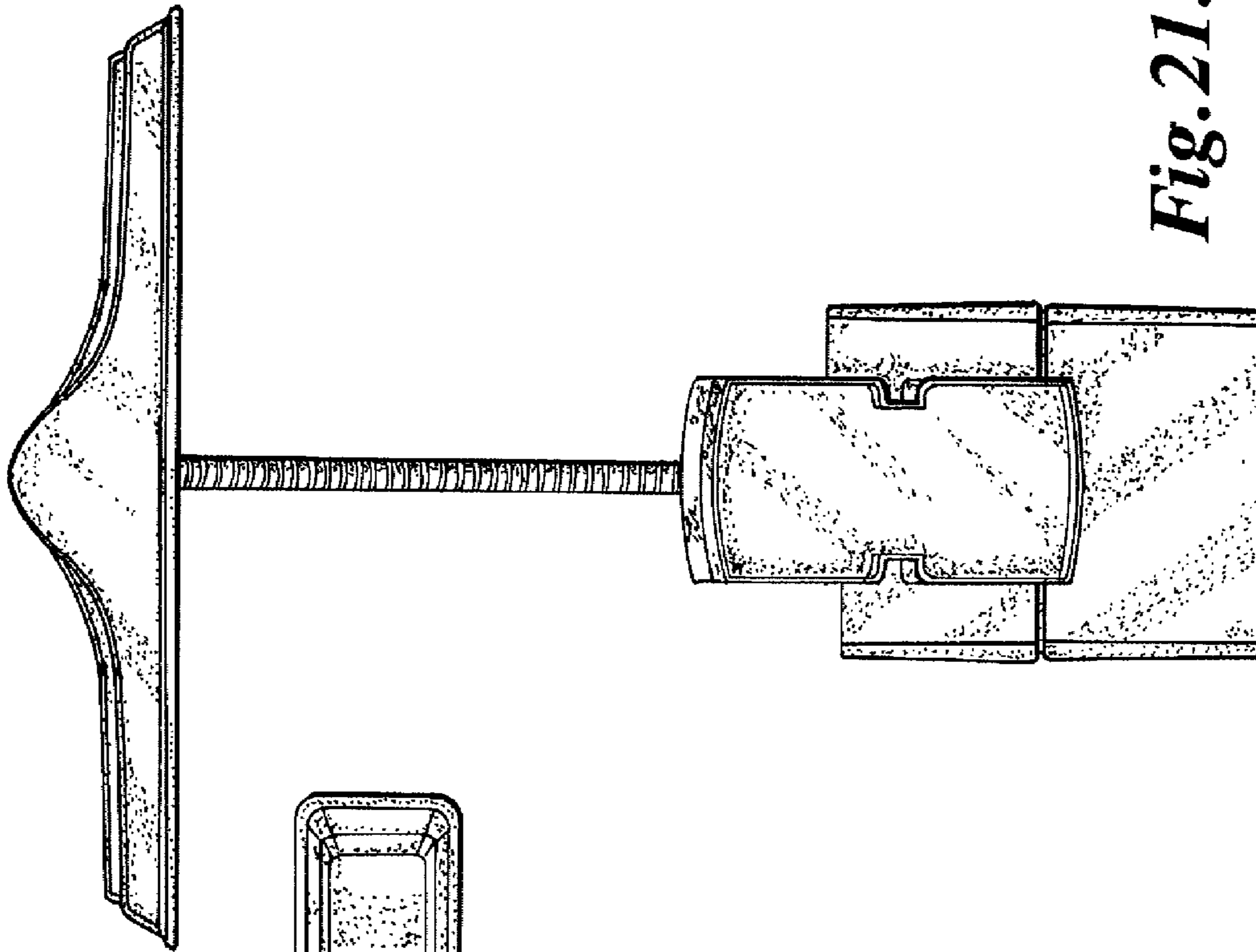


Fig. 21.

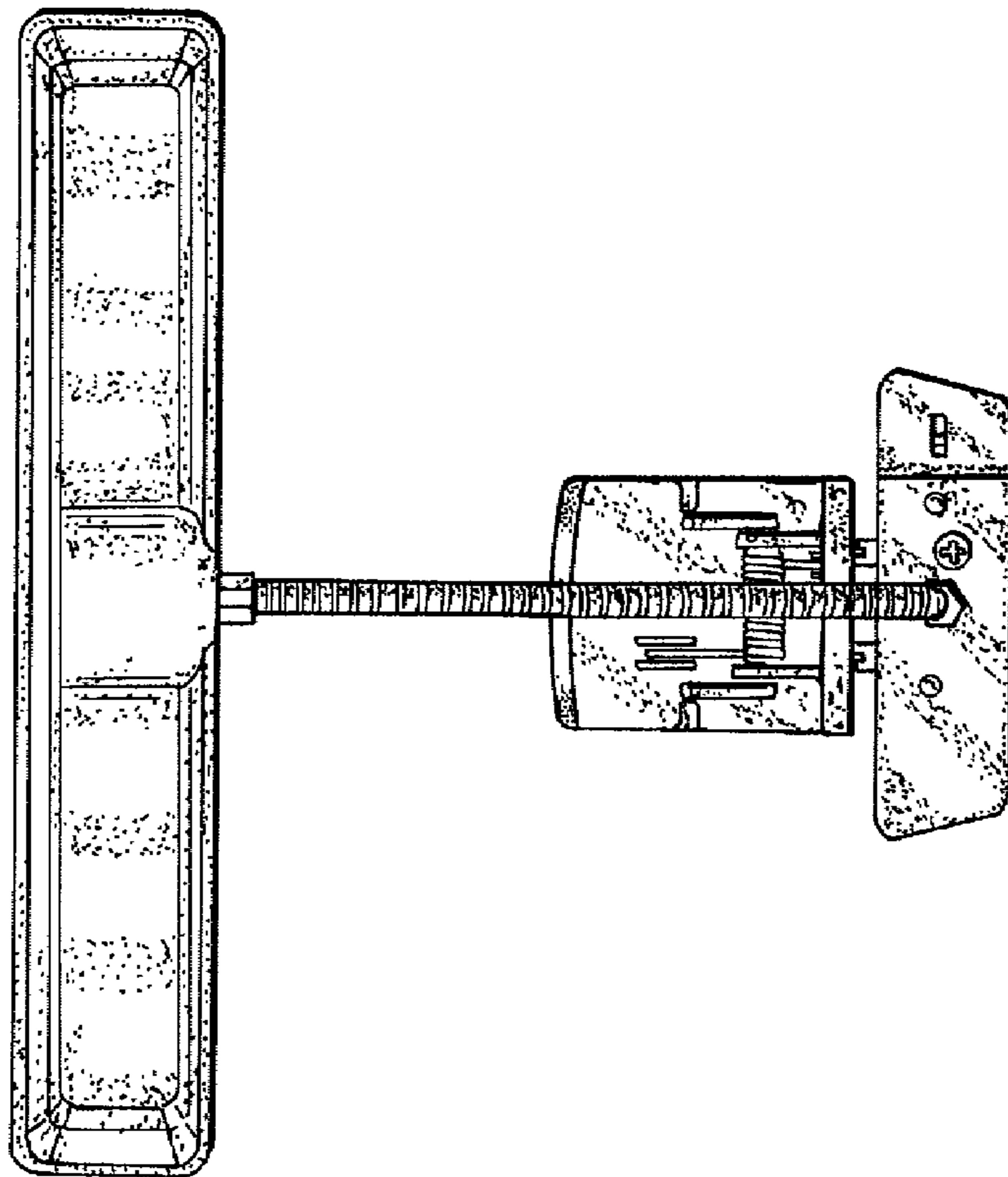


Fig. 20.