

US00D564685S

(12) **United States Design Patent**  
**Schnell**

(10) **Patent No.:** **US D564,685 S**  
(45) **Date of Patent:** **\*\* Mar. 18, 2008**

(54) **CAP LIGHT**

D544,121 S \* 6/2007 Yang ..... D26/39

(75) Inventor: **Tim Schnell**, Rancho Santa Fe, CA  
(US)

\* cited by examiner

(73) Assignee: **IP Holdings, Inc.**, Grand Prairie, TX  
(US)

*Primary Examiner*—Marcus A. Jackson  
(74) *Attorney, Agent, or Firm*—Schwegman, Lundberg &  
Woessner, P.A.

(\*\*) Term: **14 Years**

(57) **CLAIM**

(21) Appl. No.: **29/283,333**

The ornamental design for a cap light, as shown and described.

(22) Filed: **Aug. 10, 2007**

**DESCRIPTION**

(51) **LOC (8) Cl.** ..... **26-02**

(52) **U.S. Cl.** ..... **D26/39**

(58) **Field of Classification Search** ..... D26/37-50;  
362/157, 158, 171-174, 183-208  
See application file for complete search history.

FIG. 1 is a perspective view of a cap light, incorporating the new design;

FIG. 2 is a front view of the cap light of FIG. 1;

FIG. 3 is a back view of the cap light of FIG. 1;

FIG. 4 is a top view of the cap light of FIG. 1;

FIG. 5 is a bottom view of the cap light of FIG. 1;

FIG. 6 is a left side of the cap light of FIG. 1; and,

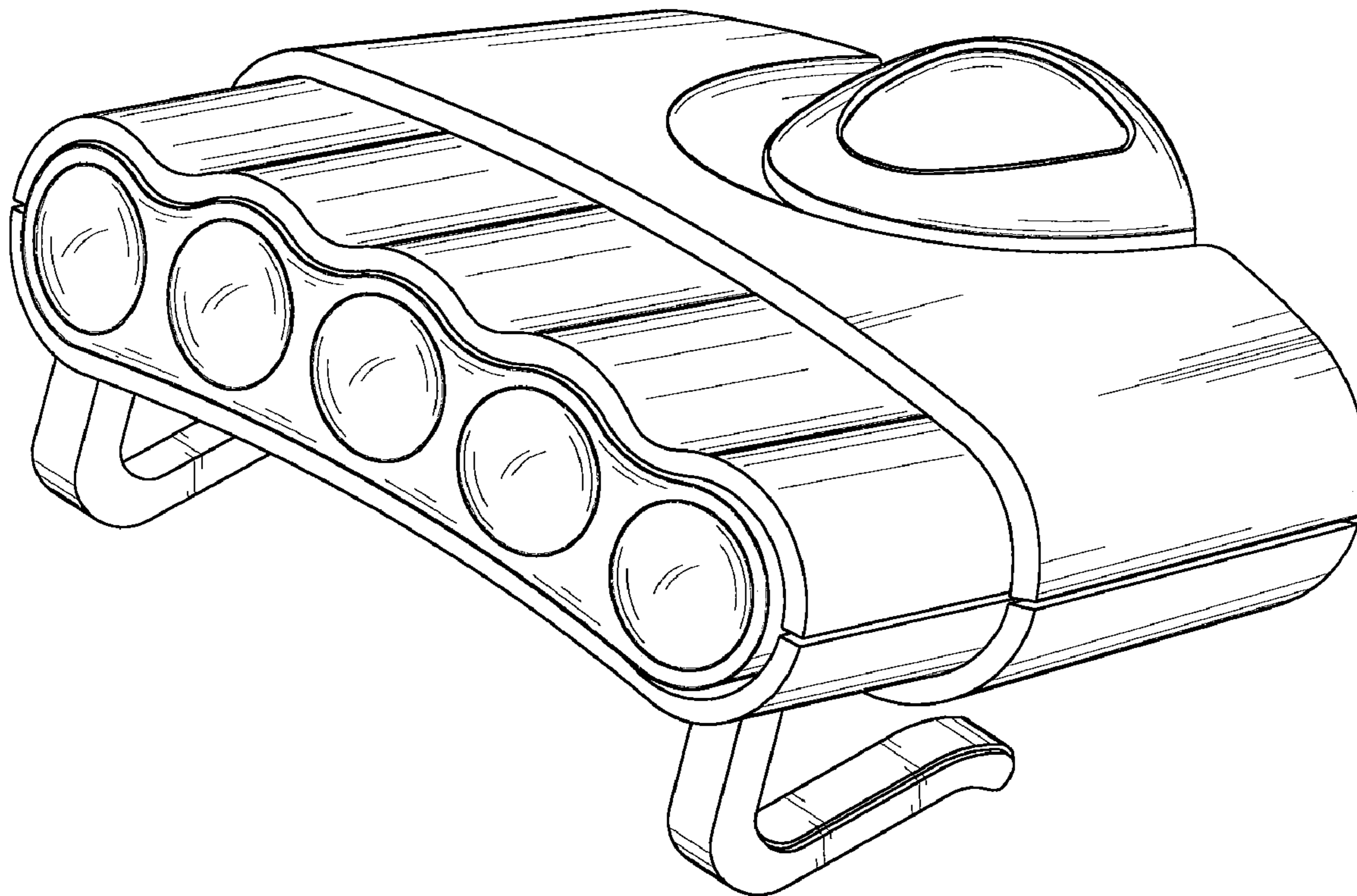
FIG. 7 is a right side of the cap light of FIG. 1.

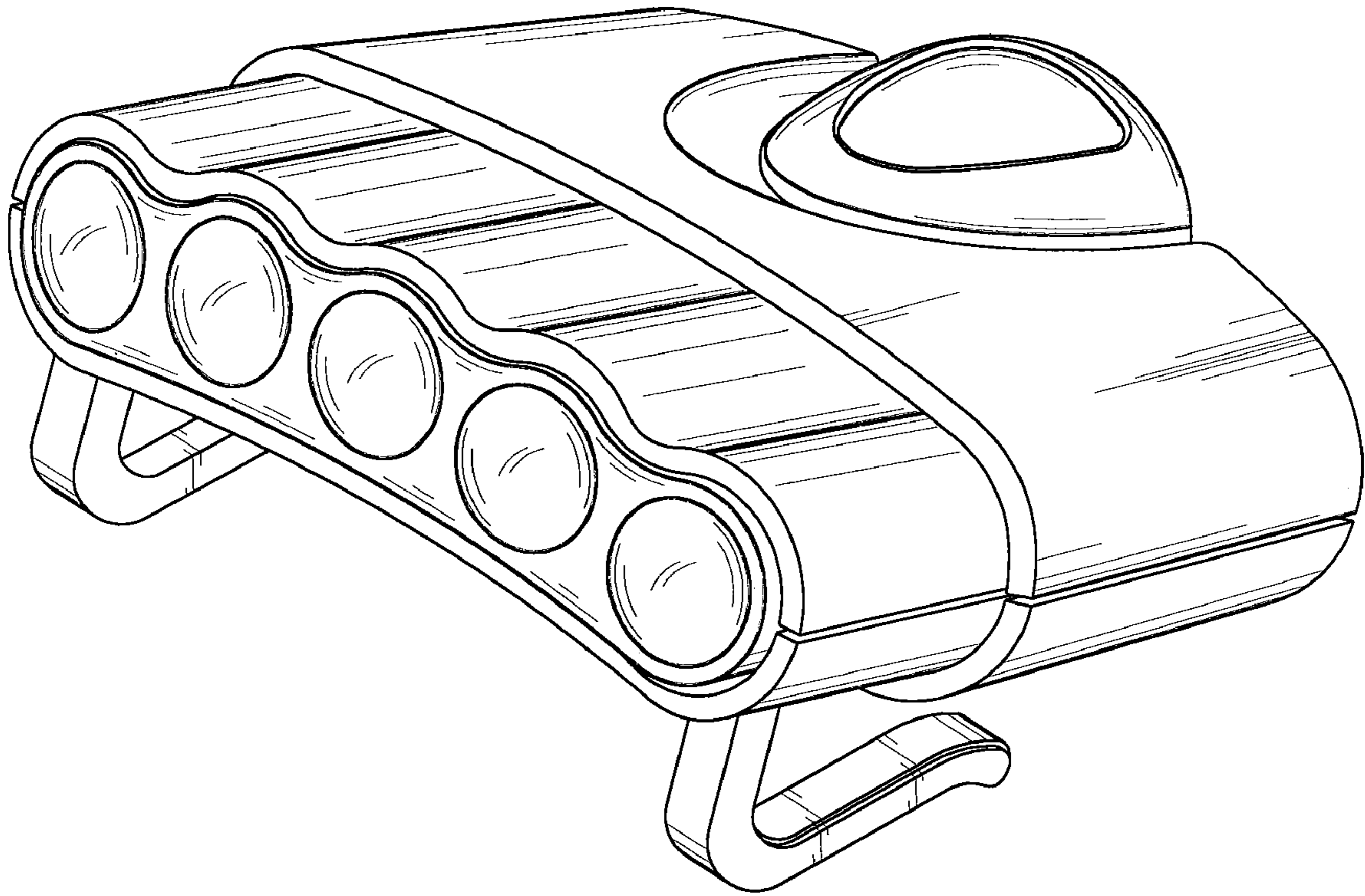
(56) **References Cited**

**U.S. PATENT DOCUMENTS**

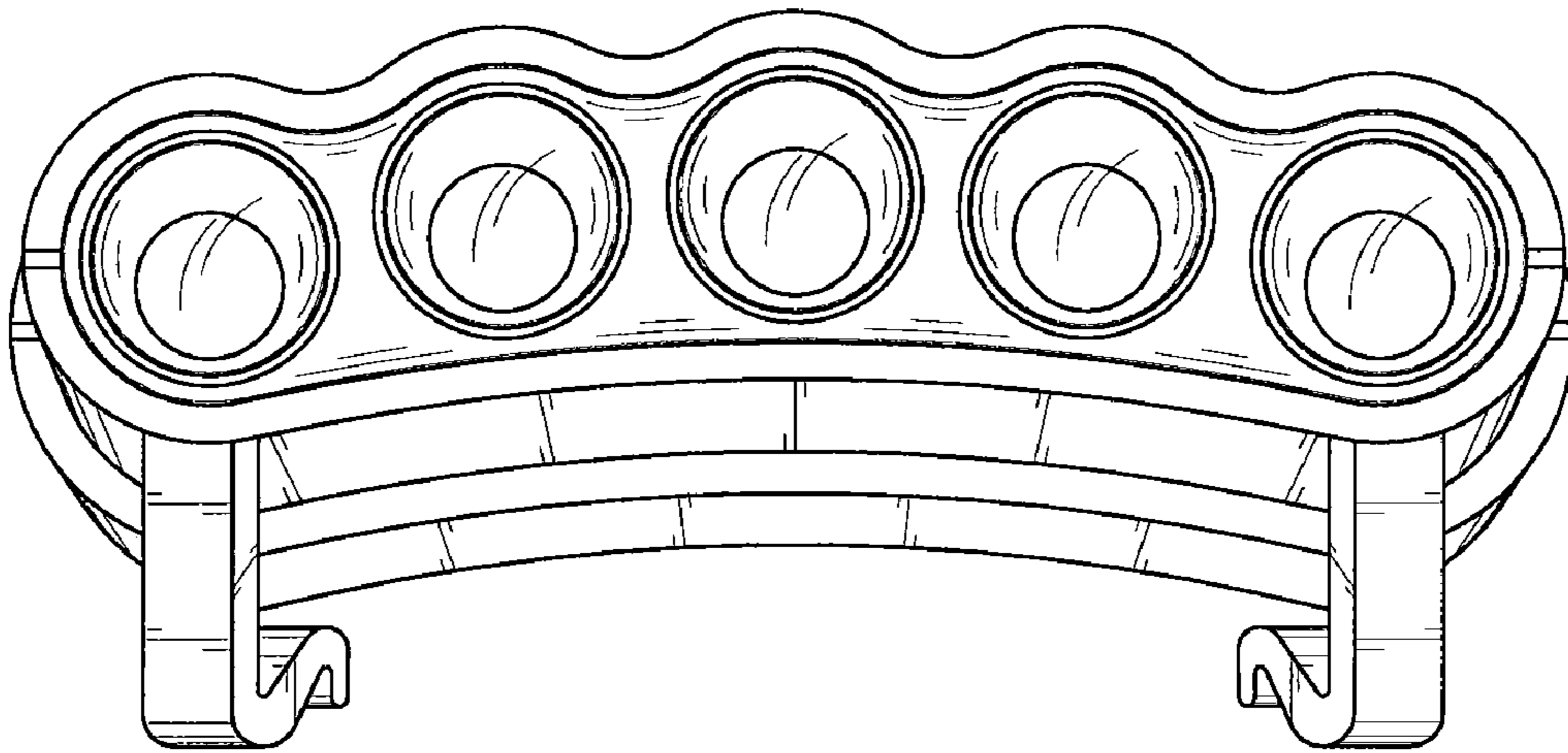
D447,586 S *	9/2001	Shing .....	D26/39
D500,377 S *	12/2004	Yamamoto et al. ....	D26/39
D507,065 S *	7/2005	Son .....	D26/39
D541,452 S *	4/2007	Schnell .....	D26/39

**1 Claim, 4 Drawing Sheets**

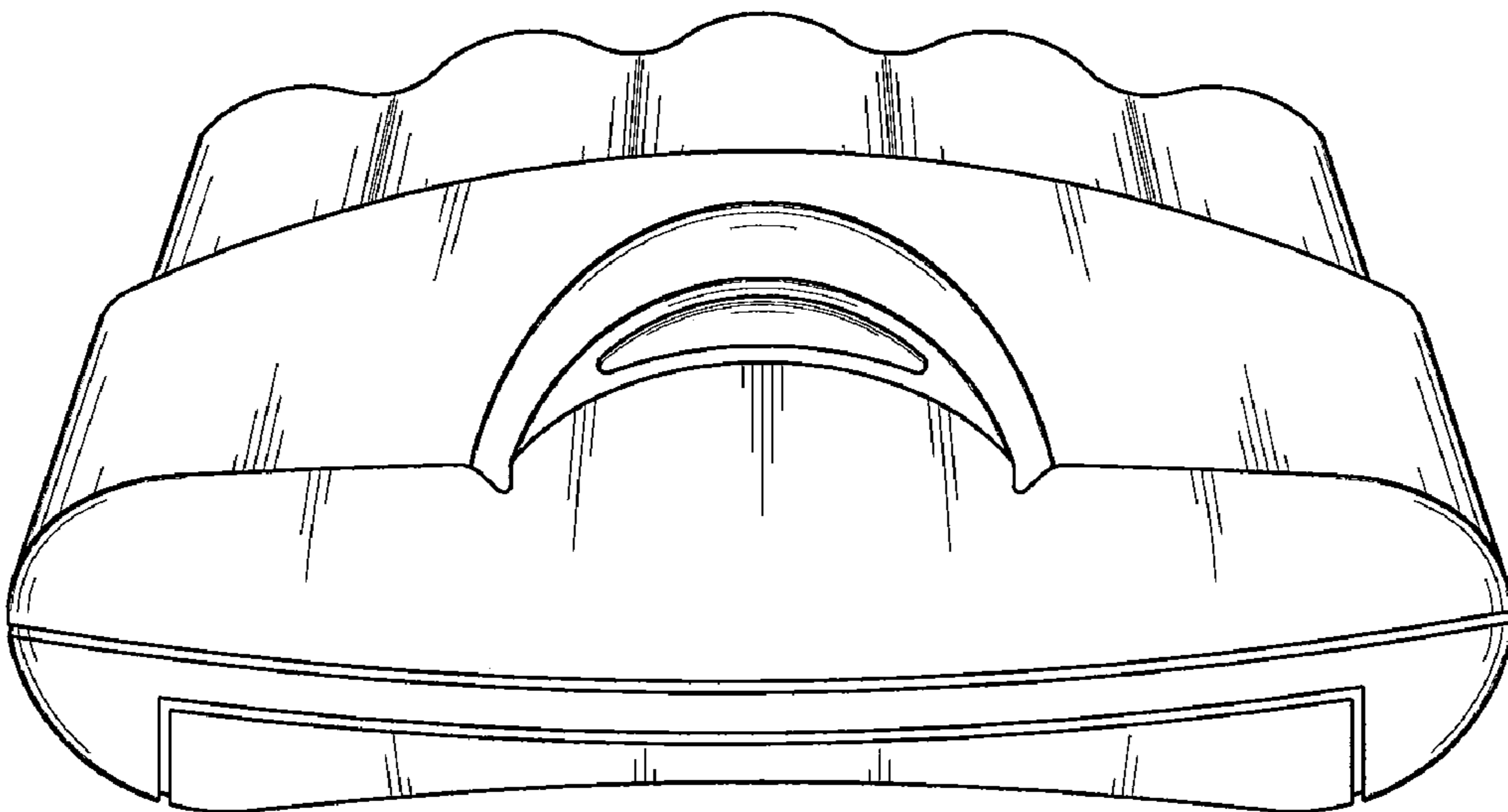




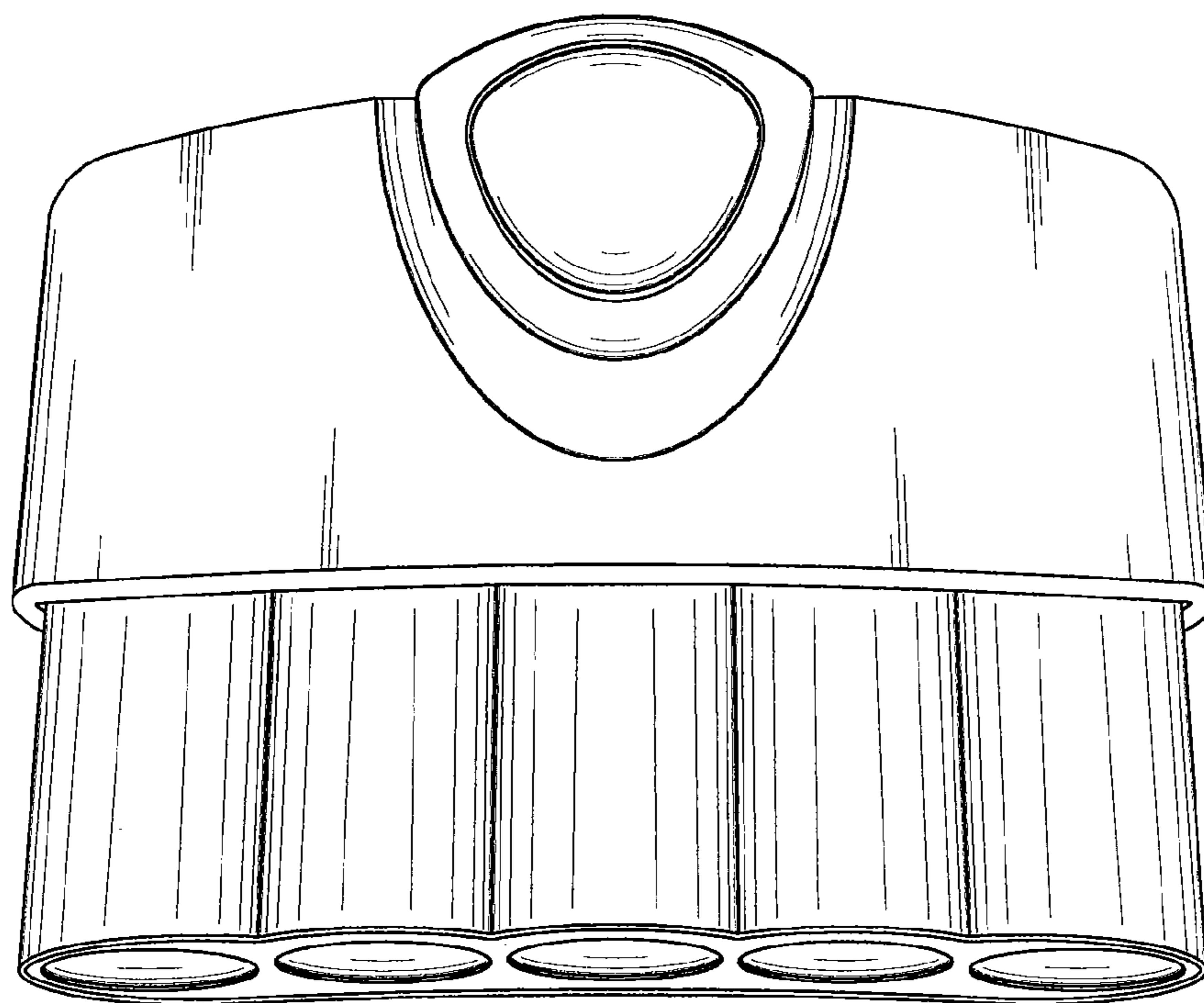
*FIG. 1*



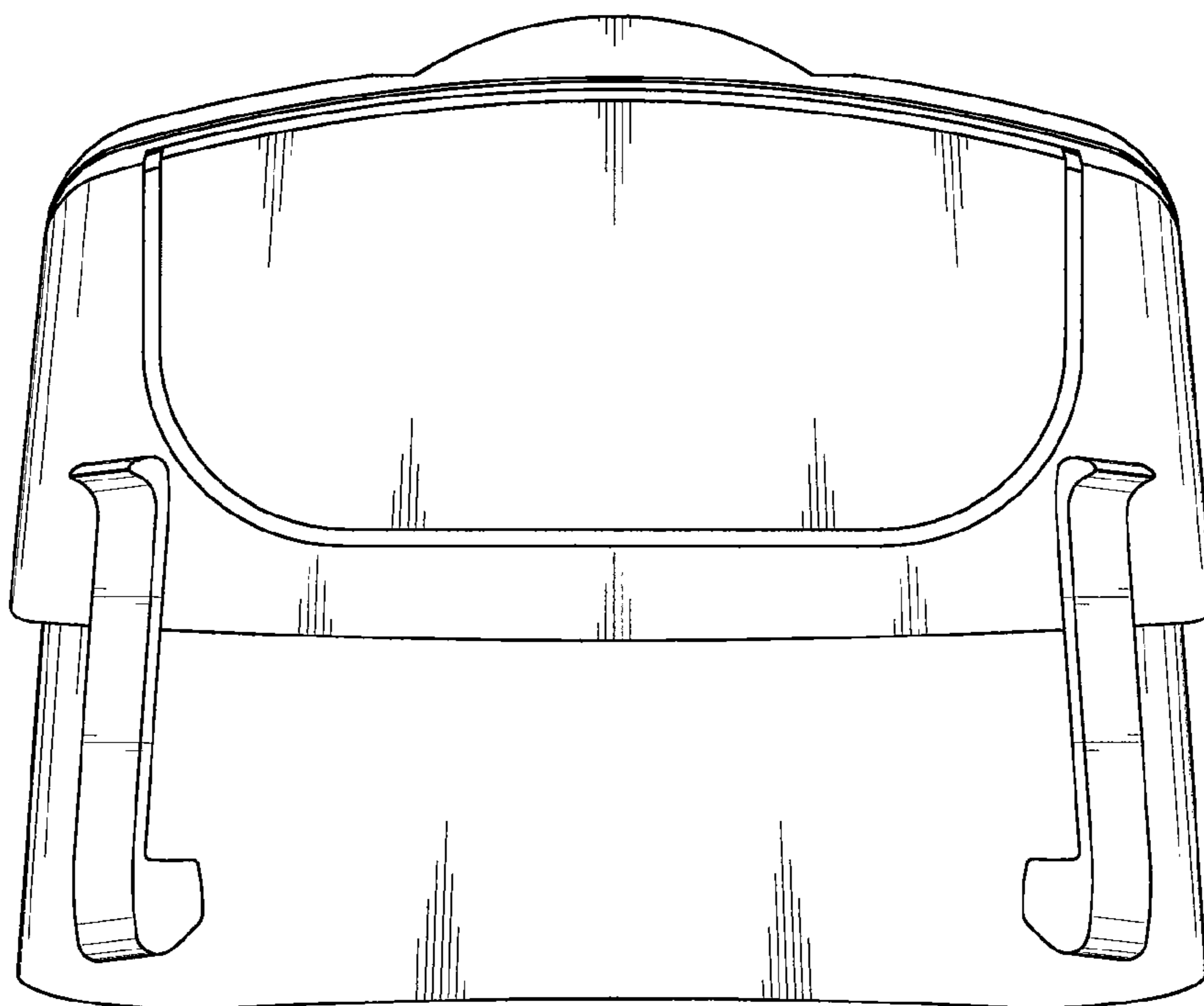
*FIG. 2*



*FIG. 3*



*FIG. 4*



*FIG. 5*



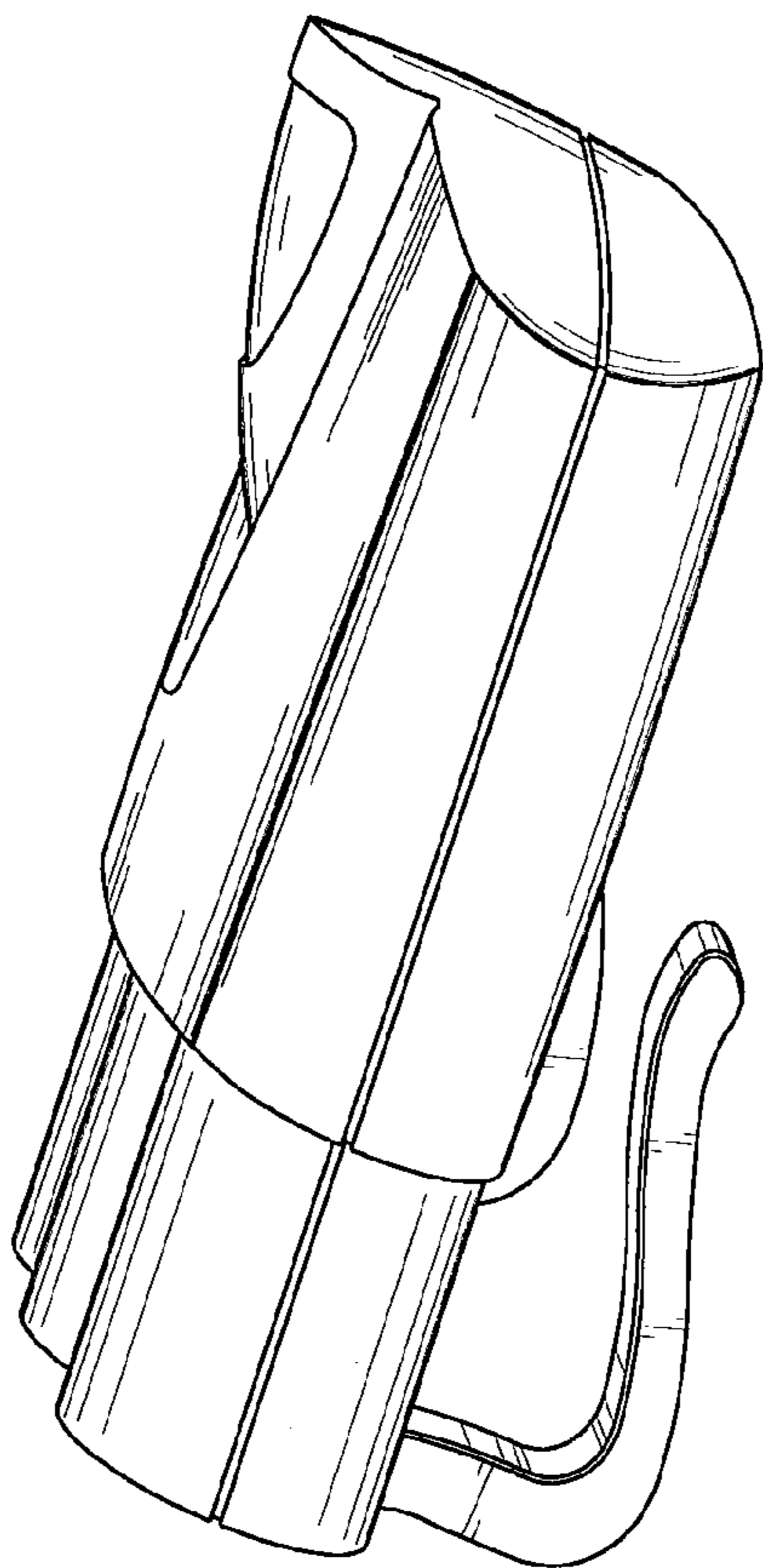


FIG. 7

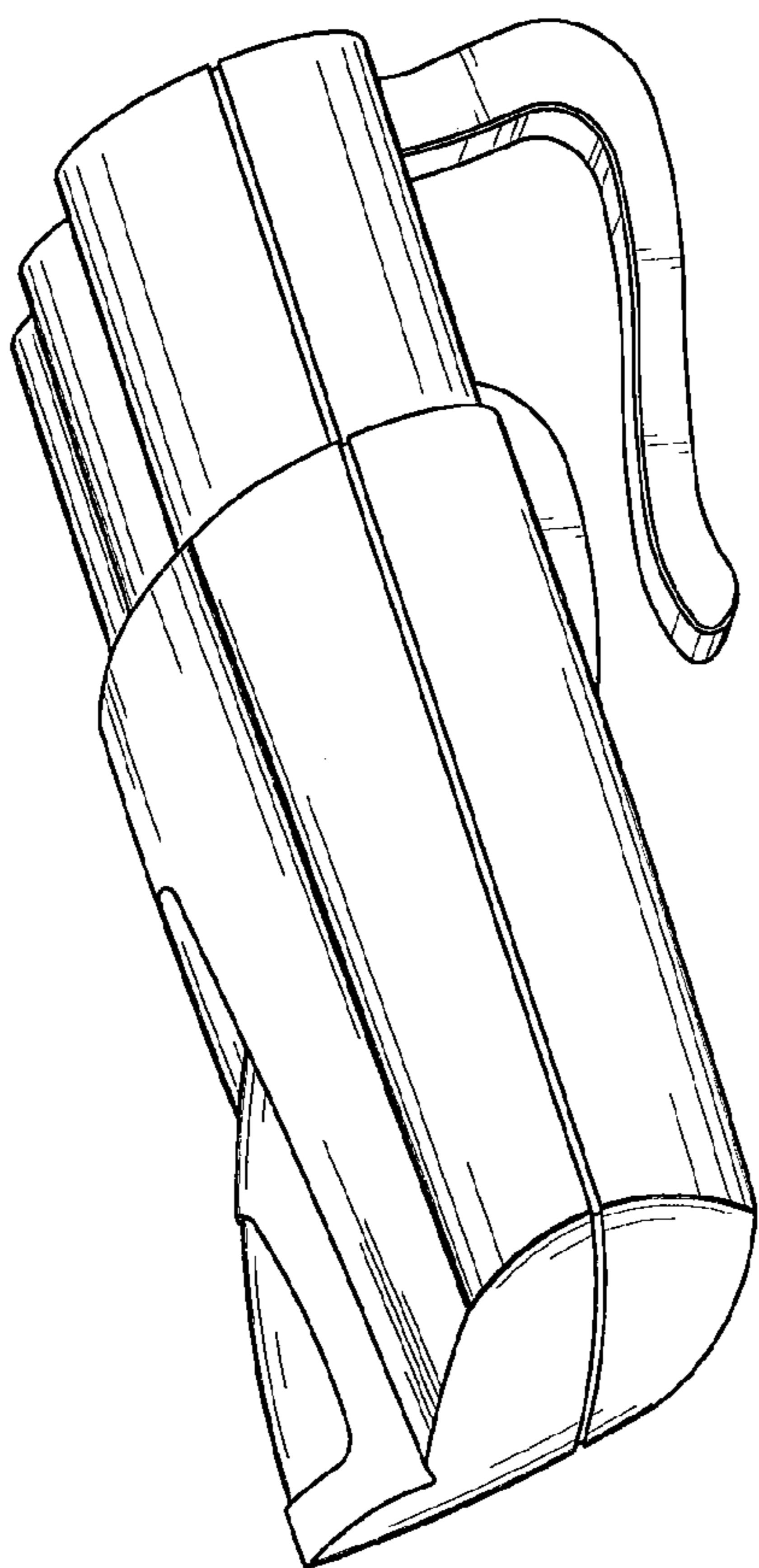


FIG. 6