



US00D564684S

(12) **United States Design Patent**
Leung et al.

(10) **Patent No.:** **US D564,684 S**
(45) **Date of Patent:** **** Mar. 18, 2008**

(54) **FLASHLIGHT**

D544,974 S * 6/2007 Lee D26/37
D544,975 S * 6/2007 Lee D26/37

(76) Inventors: **Ambrose Shing-Yin Leung**, Unit 901,
53-57 Kwai Fung Crescent, Kwai
Chung, New Territories (HK); **Benson
Chung-Pun Leung**, Unit 901, 53-57
Kwai Fung Crescent, Kwai Chung, New
Territories (HK)

* cited by examiner

Primary Examiner—Ian Simmons
Assistant Examiner—Carissa C Fitts
(74) *Attorney, Agent, or Firm*—McDermott Will & Emery
LLP

(**) **Term:** **14 Years**

(57) **CLAIM**

(21) **Appl. No.:** **29/268,894**

We claim the ornamental design for a flashlight, as shown
and described.

(22) **Filed:** **Nov. 15, 2006**

(51) **LOC (8) Cl.** **26-02**

(52) **U.S. Cl.** **D26/37**

(58) **Field of Classification Search** D26/37,
D26/46, 49, 48, 50; 362/157, 158, 183, 184,
362/195, 196, 202, 203, 204, 205, 206, 208
See application file for complete search history.

DESCRIPTION

FIG. 1 is an elevated perspective view of the flashlight of the
claimed invention:

FIG. 2 is a front view of the flashlight shown in FIG. 1;

FIG. 3 is a right side view of the flashlight shown in FIG. 1;

FIG. 4 is a left side view of the flashlight shown in FIG. 1;

FIG. 5 is a rear view of the flashlight shown in FIG. 1;

FIG. 6 is a top view of the flashlight shown in FIG. 1; and,

FIG. 7 is a bottom view of the flashlight shown in FIG. 1.

Features shown in broken lines in the drawings are not part
of the claim.

(56) **References Cited**

U.S. PATENT DOCUMENTS

D537,965 S * 3/2007 Lee D26/37
D540,968 S * 4/2007 Lee D26/37
D541,960 S * 5/2007 Rothman D26/37
D543,299 S * 5/2007 Lee D26/37
D543,300 S * 5/2007 Lee D26/37
D543,649 S * 5/2007 Bhavnani D26/37

1 Claim, 3 Drawing Sheets

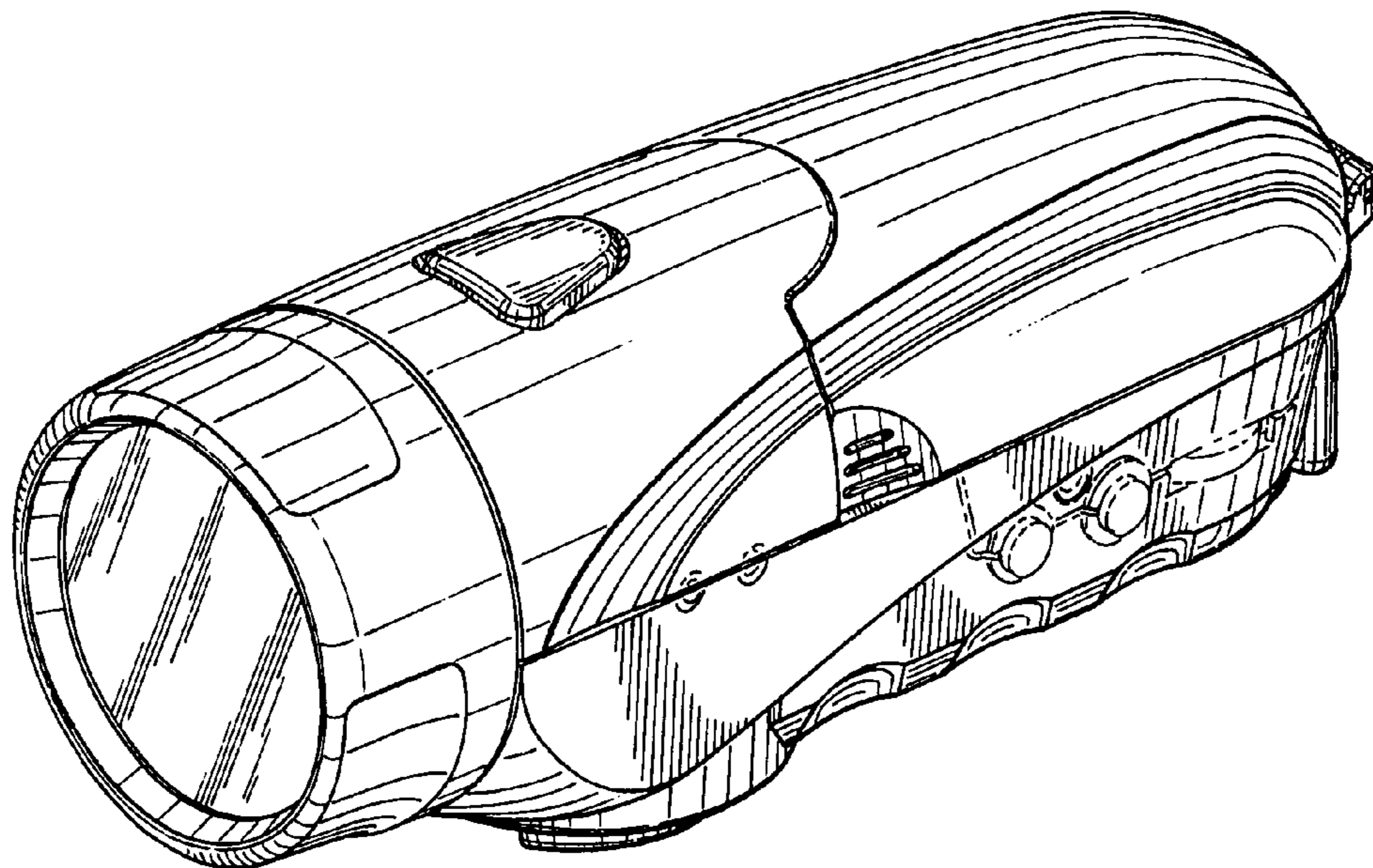


FIG. 1

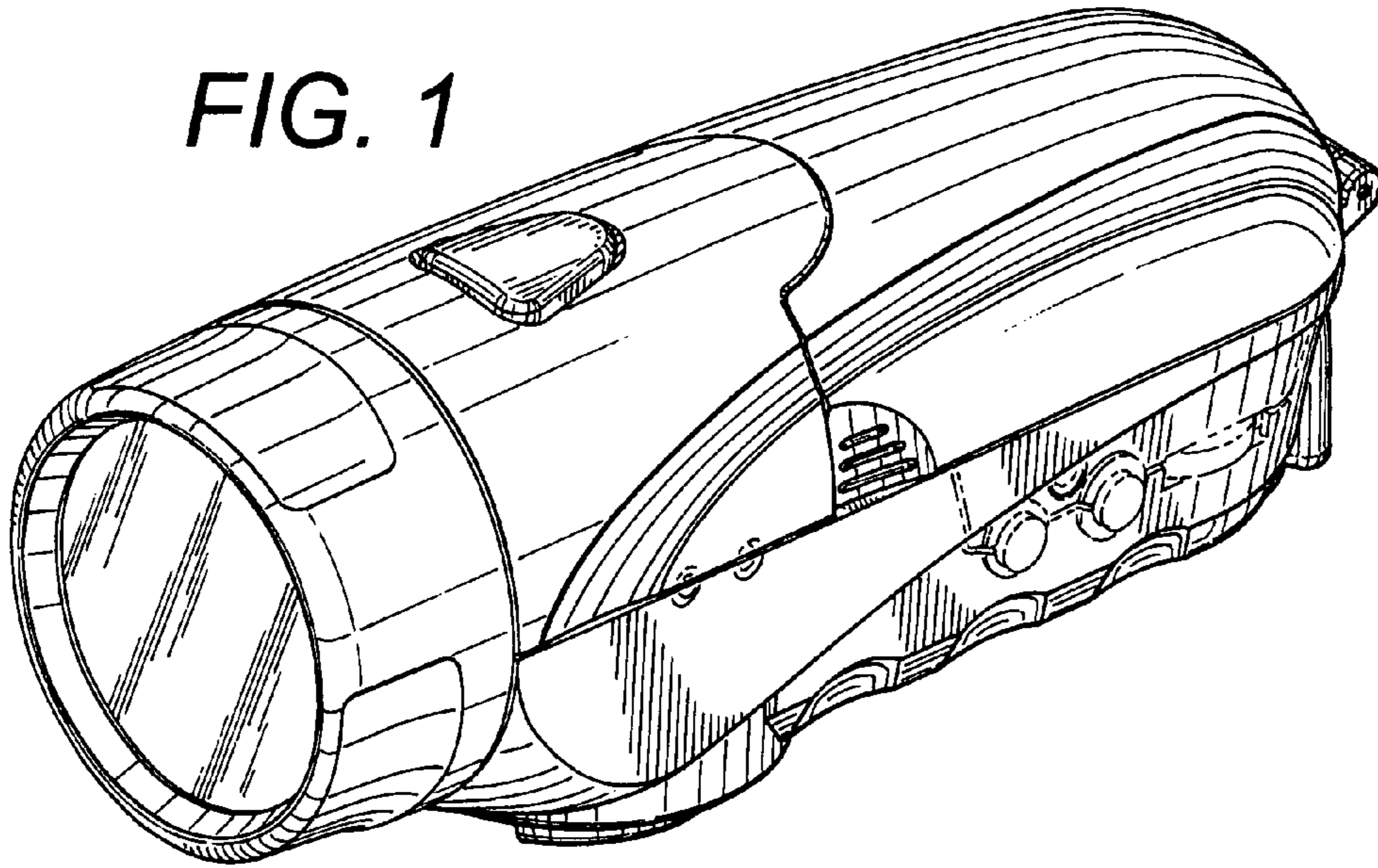


FIG. 2

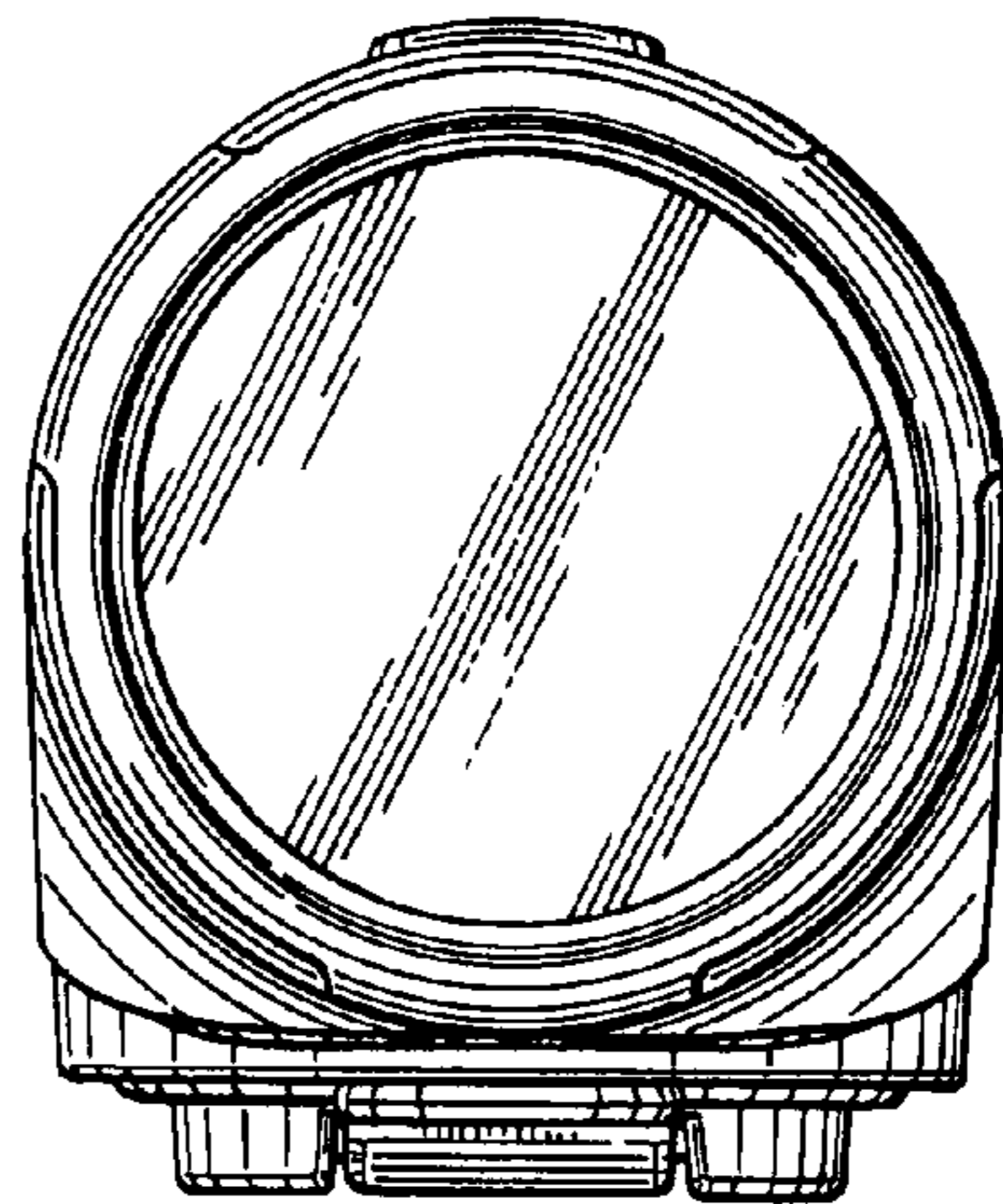


FIG. 3

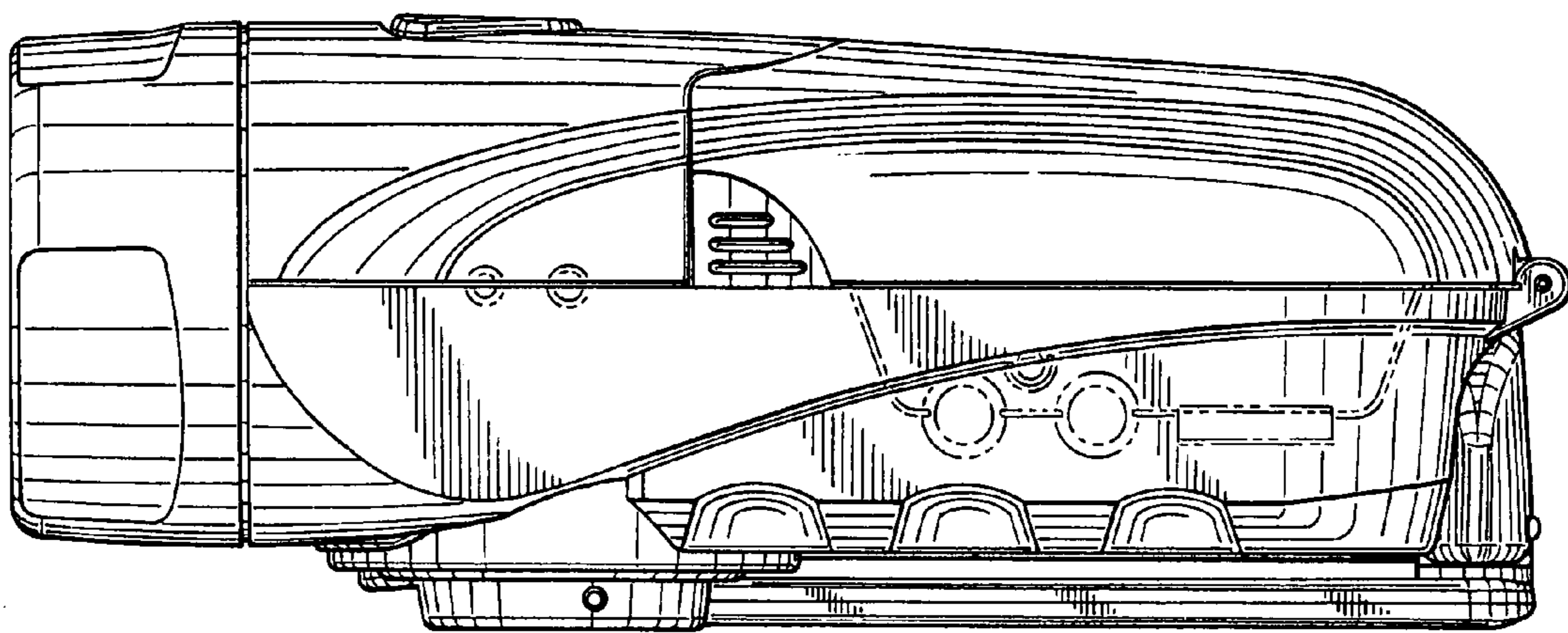


FIG. 4

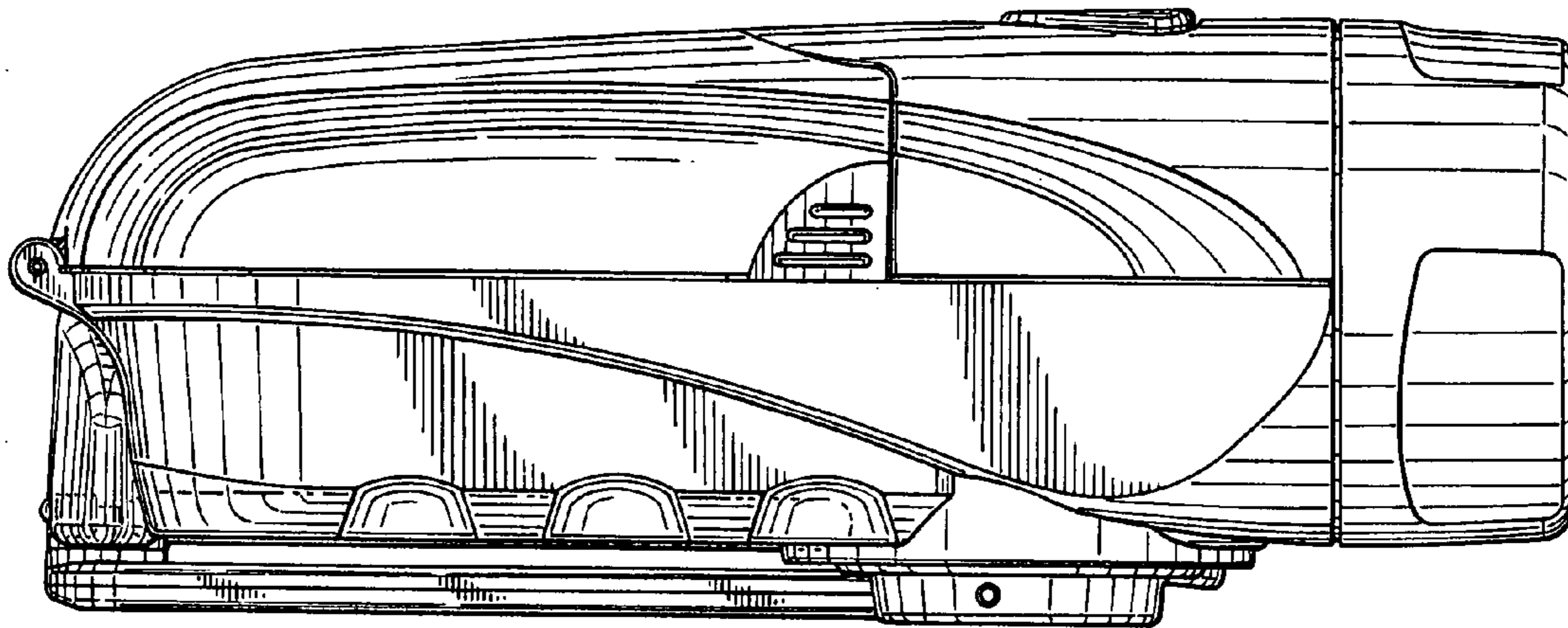


FIG. 5

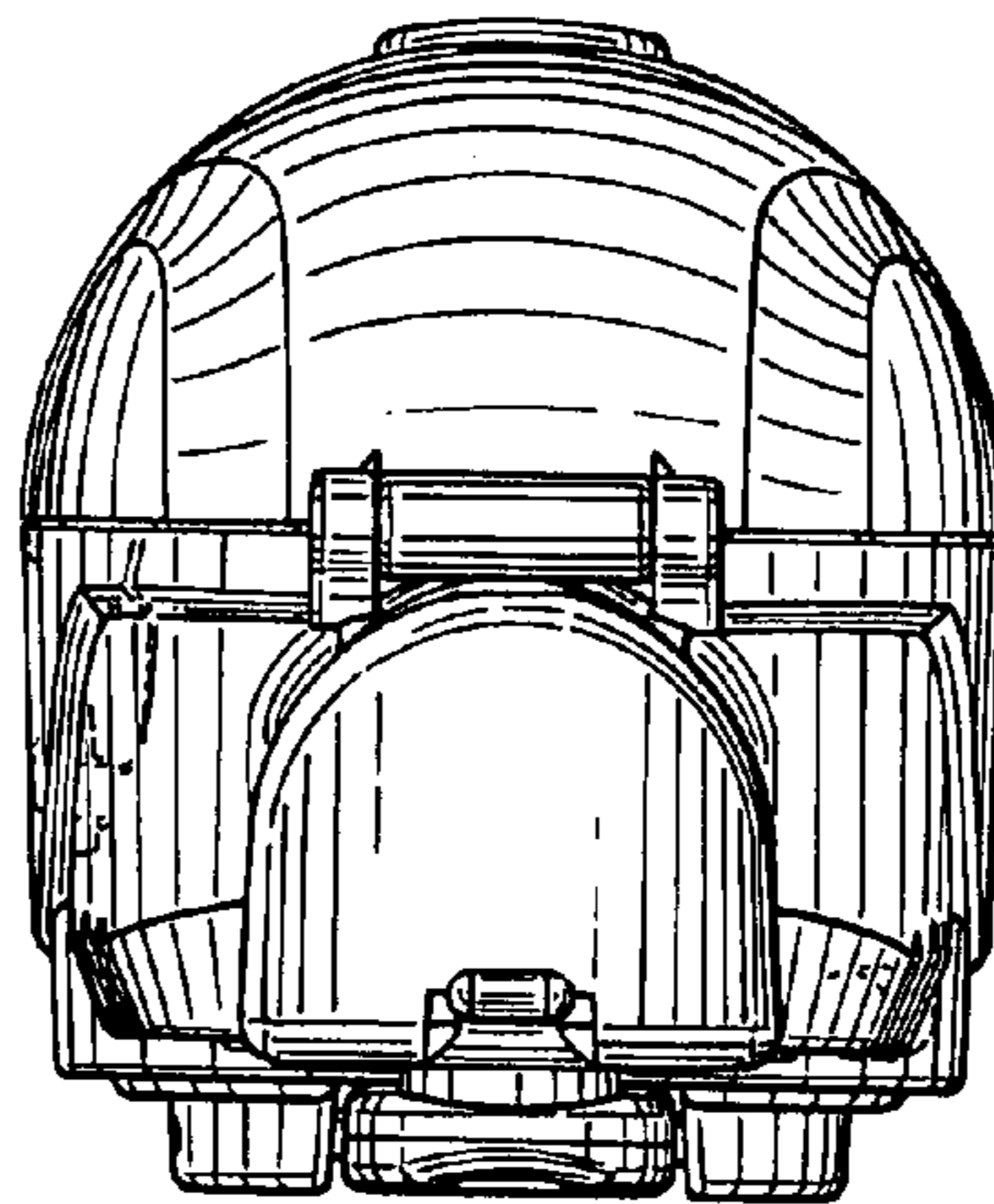


FIG. 6

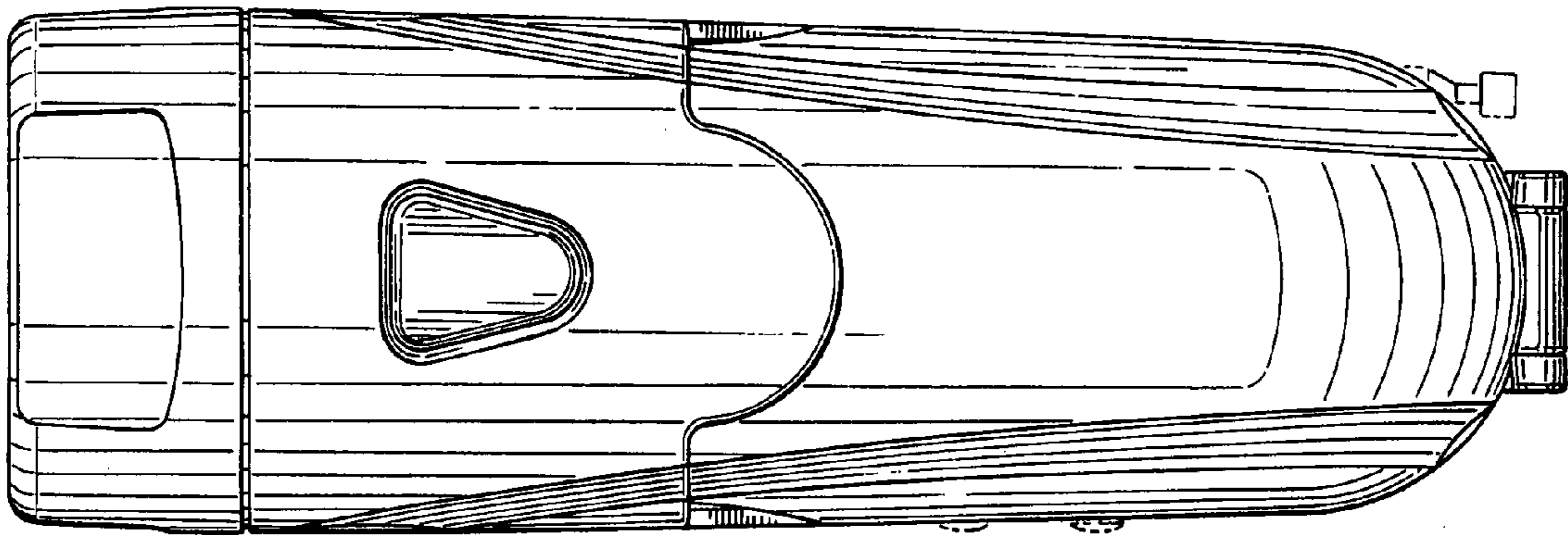


FIG. 7

