



US00D564679S

(12) **United States Design Patent**  
**Lax**

(10) **Patent No.:** **US D564,679 S**  
(45) **Date of Patent:** **\*\* Mar. 18, 2008**

(54) **GROUND ANCHOR**

(76) Inventor: **Beril Lax**, 11 Independence Dr.,  
Aberdeen, NJ (US) 07747

(\*\*) Term: **14 Years**

(21) Appl. No.: **29/260,457**

(22) Filed: **May 25, 2006**

(51) **LOC (8) Cl.** ..... **25-01**

(52) **U.S. Cl.** ..... **D25/134**

(58) **Field of Classification Search** ..... D25/134;  
52/155, 156

See application file for complete search history.

(56) **References Cited**

**U.S. PATENT DOCUMENTS**

3,938,344 A *	2/1976	Asayama .....	405/238
5,396,743 A *	3/1995	Bellette .....	52/154
6,032,880 A *	3/2000	Verrills et al. ....	248/530
D442,295 S *	5/2001	Stahl .....	D25/134

\* cited by examiner

*Primary Examiner*—Doris Clark

(74) *Attorney, Agent, or Firm*—Kirschstein et al.

(57) **CLAIM**

The ornamental design for a ground anchor, as shown and described.

**DESCRIPTION**

FIG. 1 is a perspective view of a ground anchor according to the design of my invention, the phantom lines depicting a preferred environment;

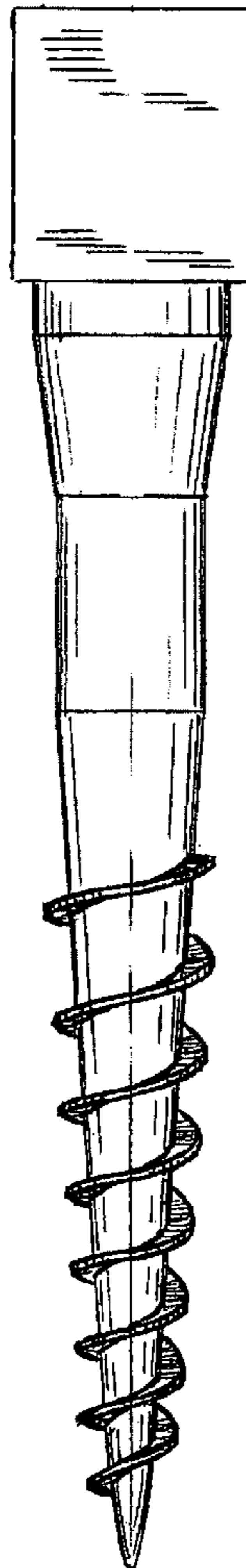
FIG. 2 is an enlarged top plan view thereof;

FIG. 3 is a side elevational view thereof; and,

FIG. 4 is a bottom plan view thereof.

The phantom lines are for environmental purposes only and form no part of this invention.

**1 Claim, 2 Drawing Sheets**



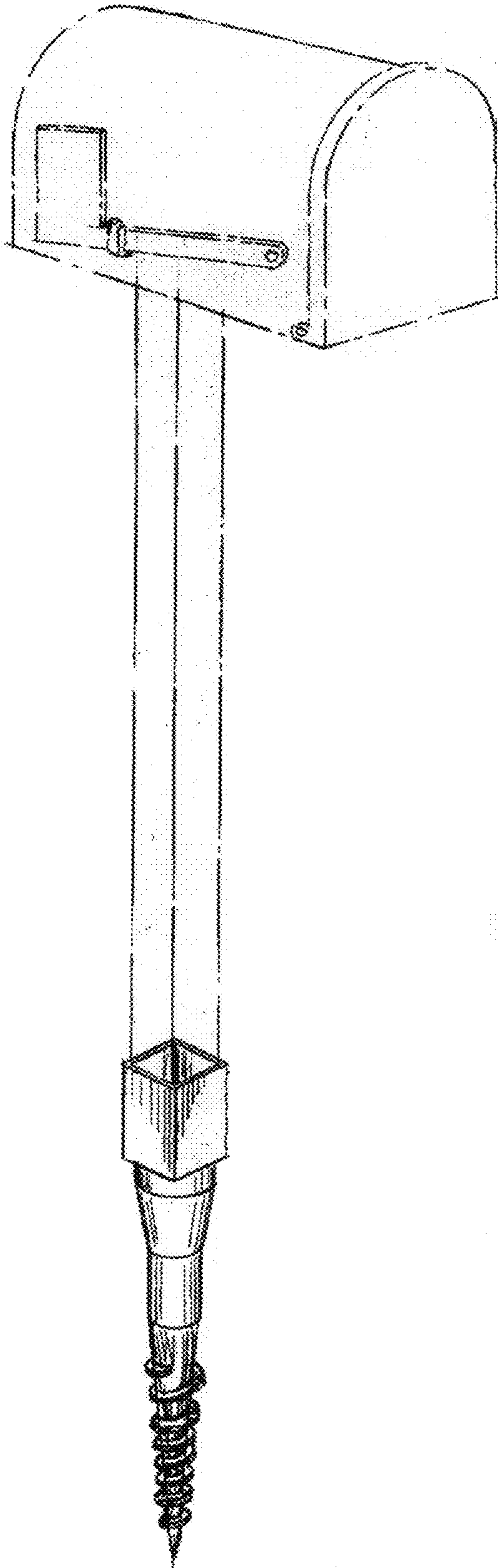


FIG. 1

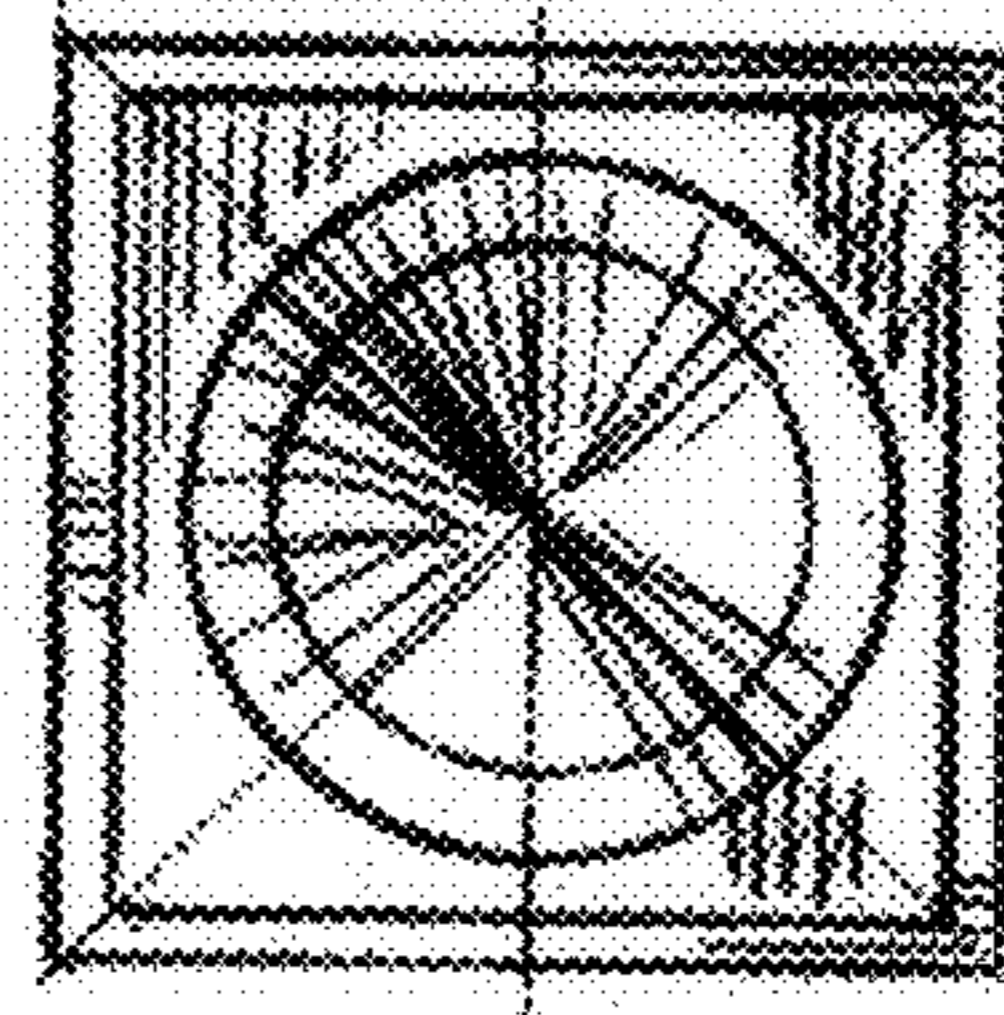


FIG. 2

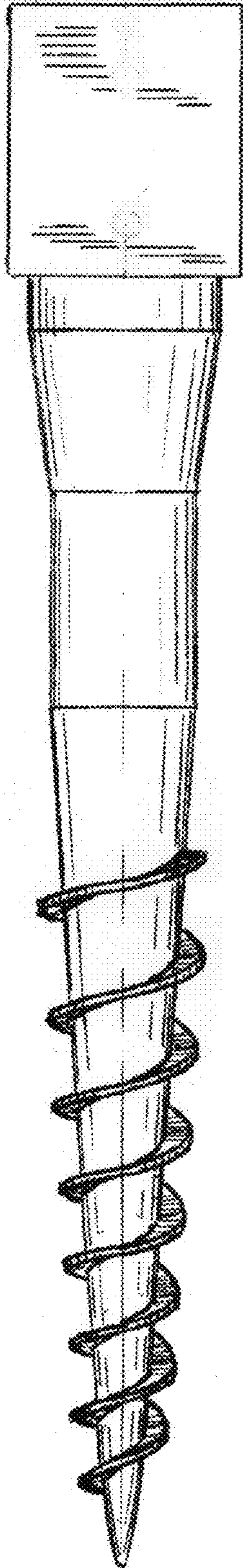


FIG. 3

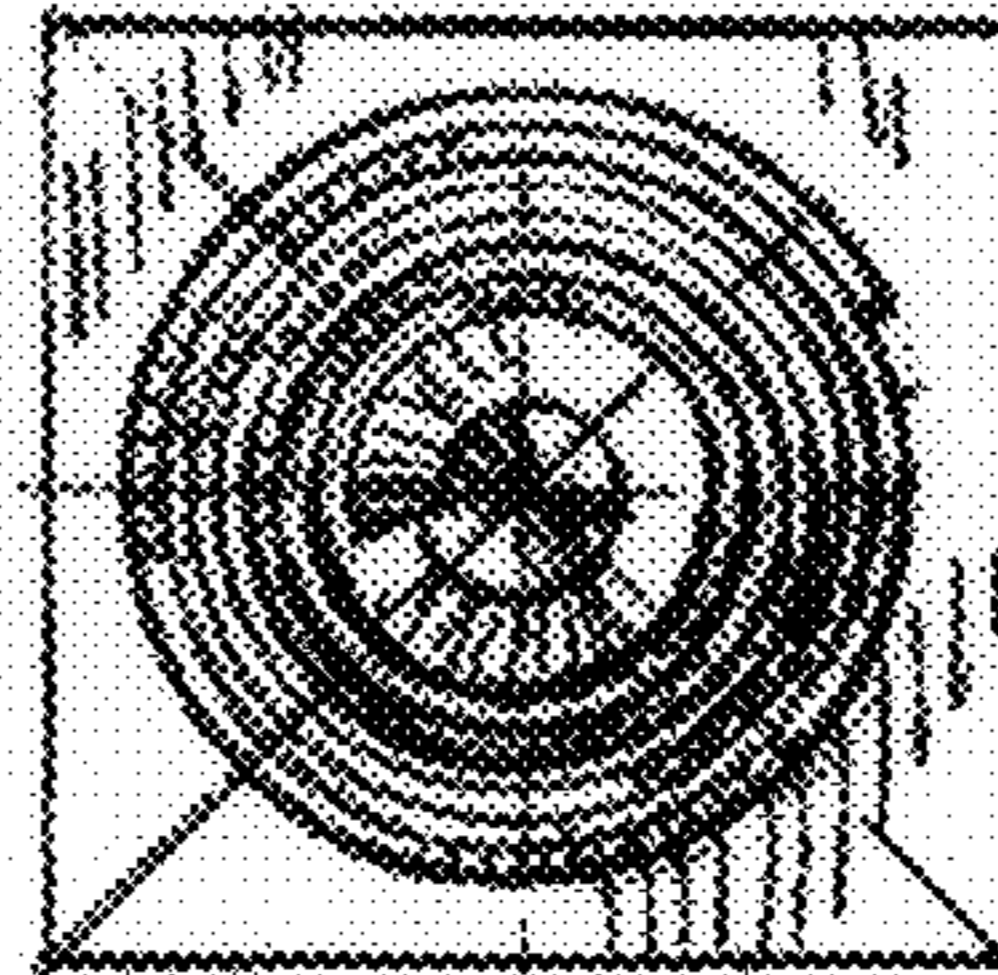


FIG. 4