

US00D564678S

(12) **United States Design Patent**  
**Simko**

(10) **Patent No.:** **US D564,678 S**  
(45) **Date of Patent:** **\*\* Mar. 18, 2008**

(54) **CONSTRUCTION MEMBER**

(75) Inventor: **Peter J. Simko**, Barrie (CA)

(73) Assignee: **Carney Timber Company**, Barrie,  
Ontario (CA)

(\*\*) Term: **14 Years**

(21) Appl. No.: **29/234,843**

(22) Filed: **Jul. 25, 2005**

(51) **LOC (8) Cl.** ..... **25-01**

(52) **U.S. Cl.** ..... **D25/122**

(58) **Field of Classification Search** ..... D25/138,  
D25/122; 52/292, 299, 177, 181; 119/406,  
119/407, 525, 529; 405/34

See application file for complete search history.

(56) **References Cited**

**U.S. PATENT DOCUMENTS**

D329,914 S *	9/1992	Veilleux	.....	D25/138
5,862,642 A	1/1999	Erwin		
D423,116 S	4/2000	Gregori		
D431,658 S	10/2000	Gregori		
D443,936 S *	6/2001	Biro	.....	D25/122
6,427,395 B1 *	8/2002	Elsasser et al.	.....	52/181
D464,742 S	10/2002	Gregori		
D465,286 S	11/2002	Gregori		

6,505,449 B1	1/2003	Gregori		
D473,955 S	4/2003	Gregori		
D474,286 S	5/2003	Gregori		
6,637,163 B2 *	10/2003	Thibault et al.	.....	52/177
D492,797 S	7/2004	Simko et al.		
6,826,884 B2	12/2004	Pabedinskas et al.		
6,948,286 B2 *	9/2005	Hystad	.....	52/177

\* cited by examiner

*Primary Examiner*—Doris Clark

(57) **CLAIM**

The ornamental design for a construction member, as shown and described.

**DESCRIPTION**

FIG. 1 is a front, right perspective view of my design, the front right side perspective view is a mirror image;

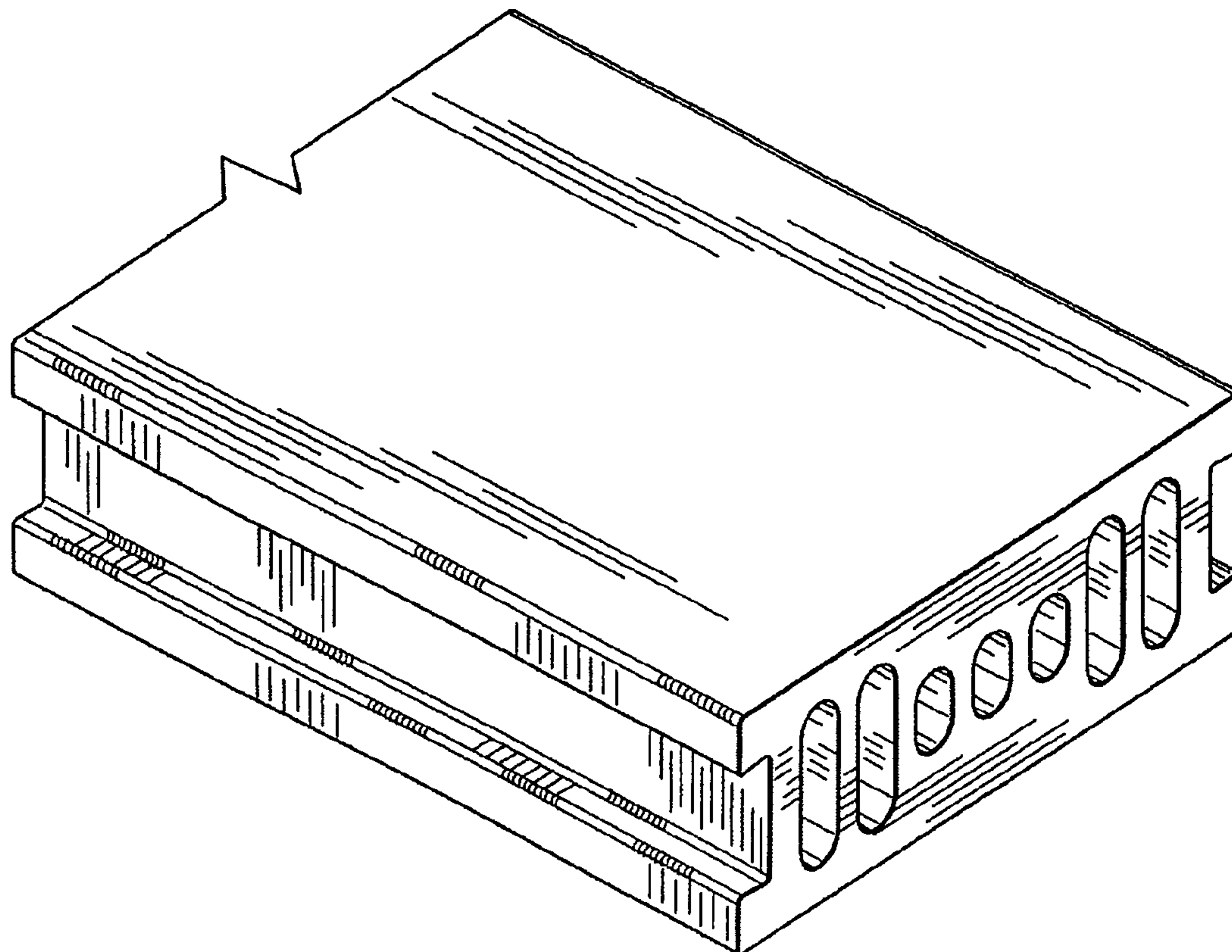
FIG. 2 is a front elevation view of my design, the rear elevation view is a mirror image;

FIG. 3 is a right side view of my design, the left side view is a mirror image; and,

FIG. 4 is a top plan view of my design, the bottom plan view is a mirror image.

The claimed design is broken on one end to indicate indefinite length.

**1 Claim, 2 Drawing Sheets**



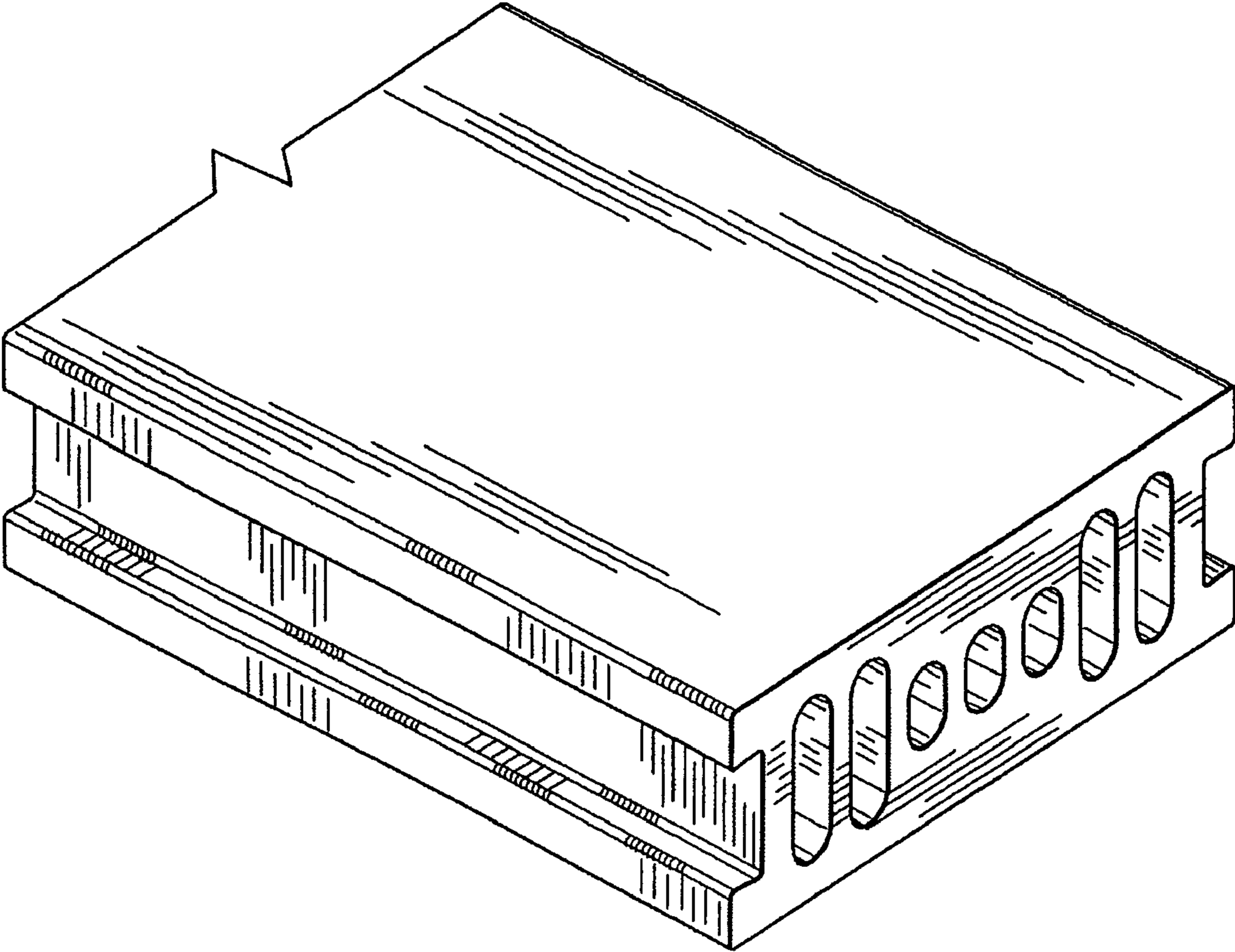


FIG. 1

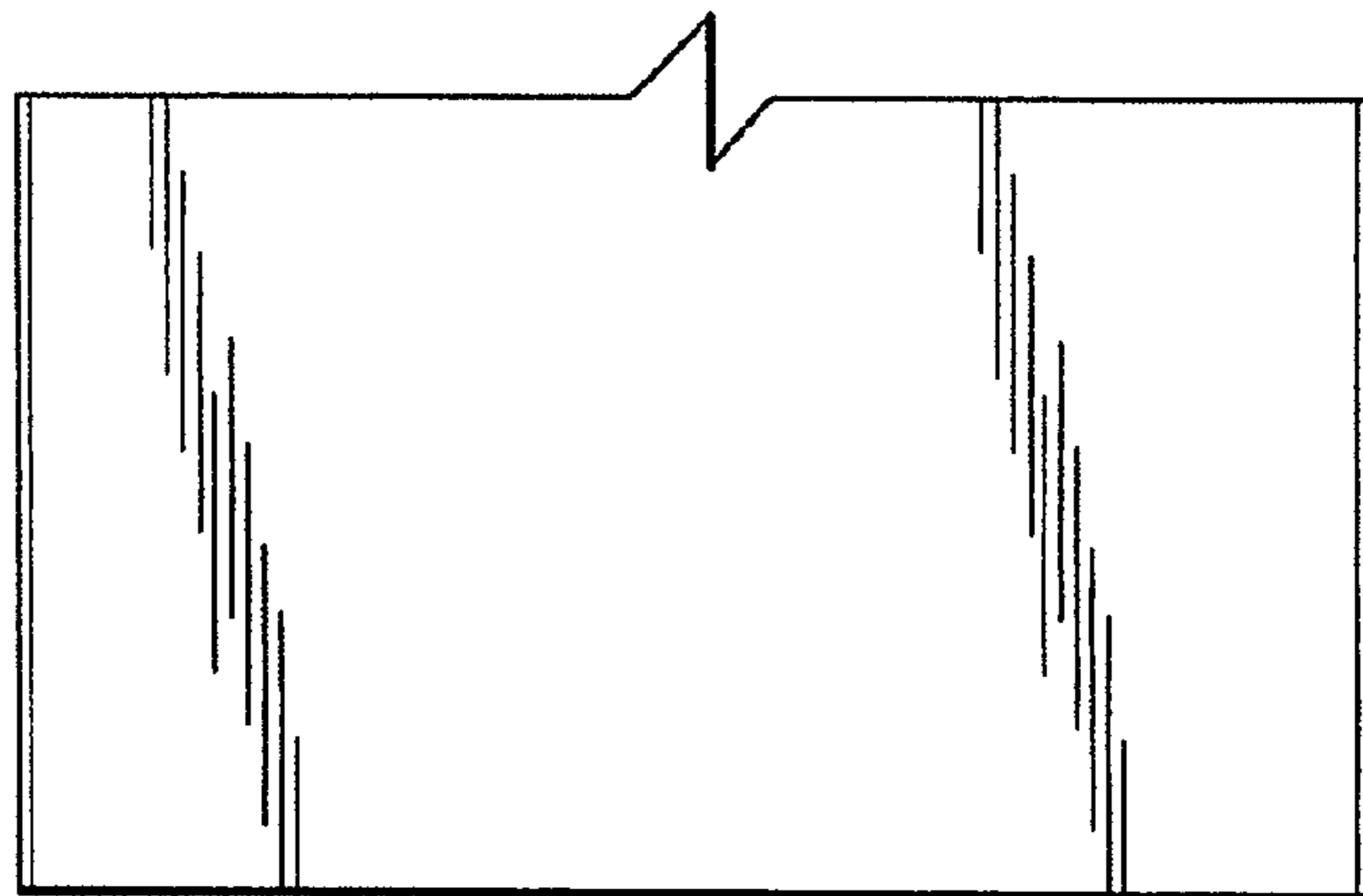


FIG. 4

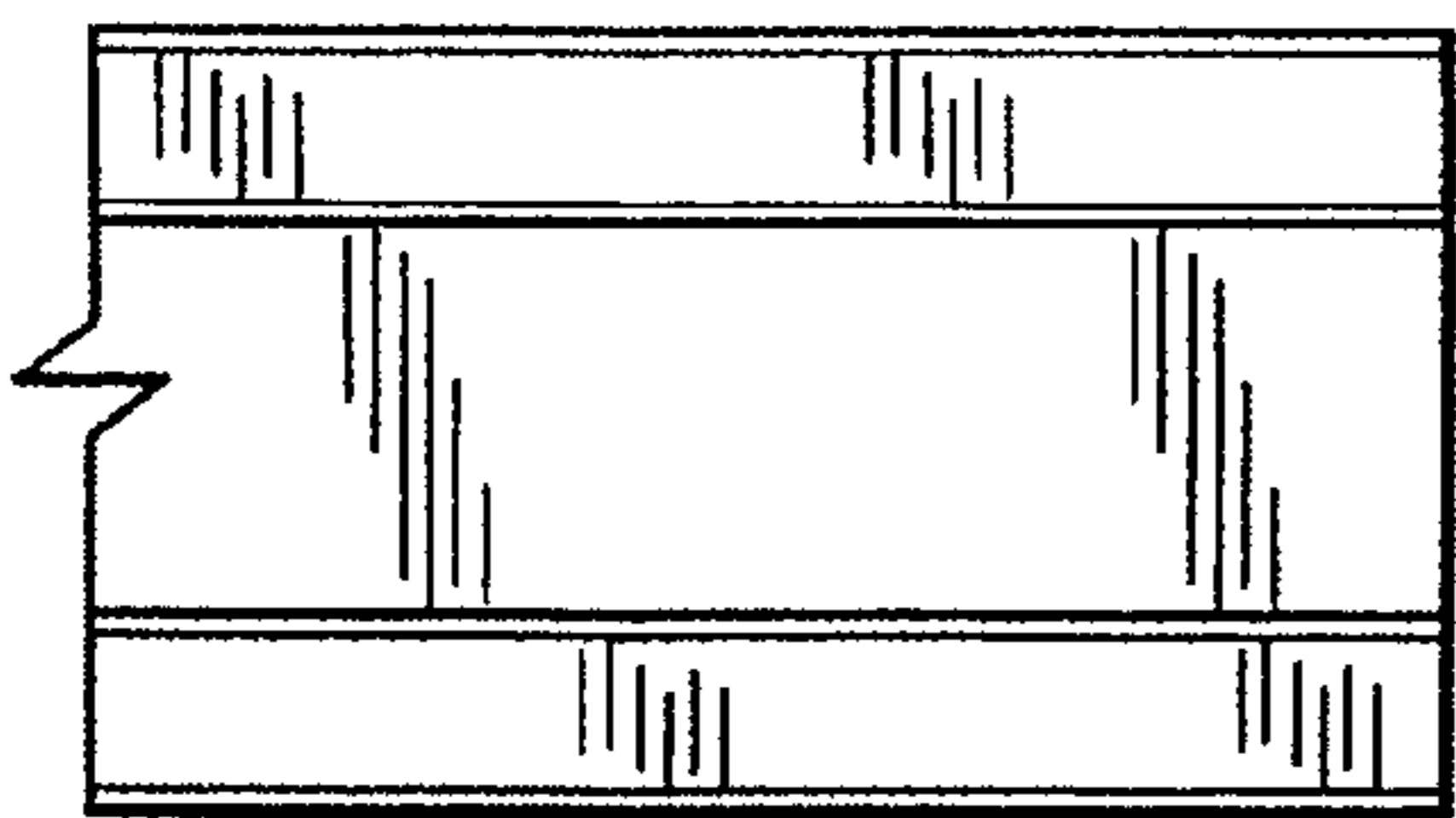


FIG. 3

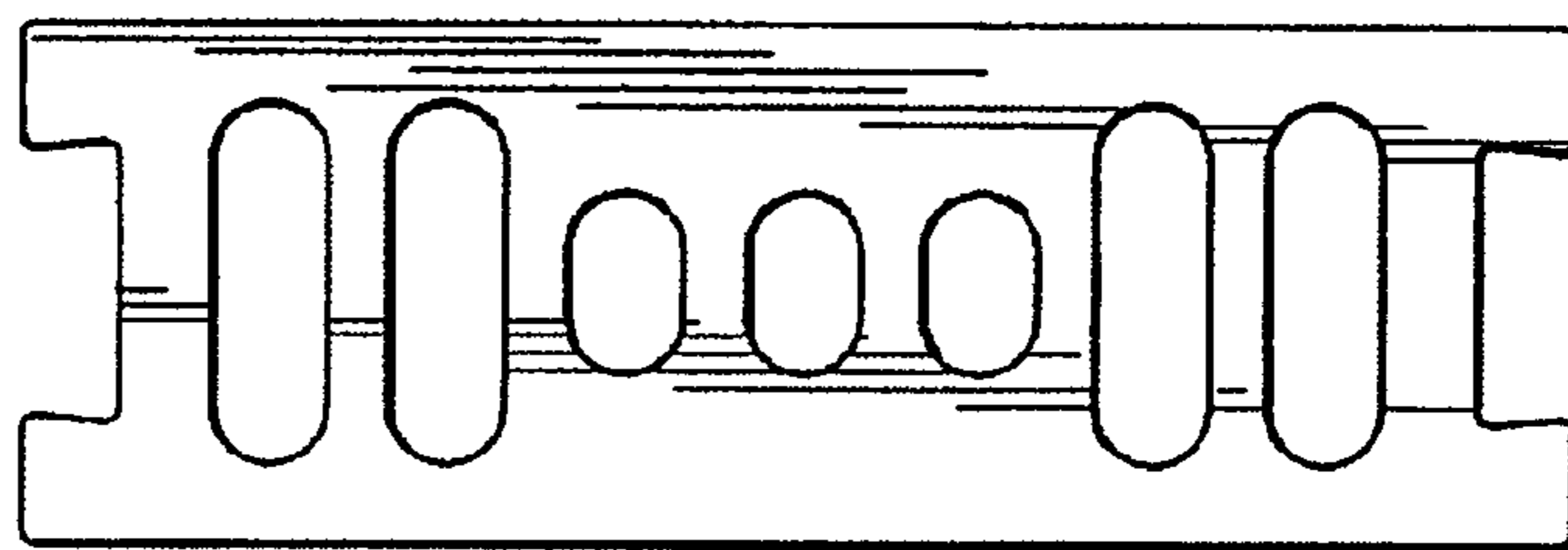


FIG. 2