



US00D564677S

(12) **United States Design Patent**
Farber et al.

(10) **Patent No.:** **US D564,677 S**
(45) **Date of Patent:** **** Mar. 18, 2008**

(54) **STEP STOOL TRAY**
(75) Inventors: **Robert Farber**, Montreal (CA); **Jason C. Farber**, Montreal (CA)
(73) Assignee: **GSC Technologies Corporation**, St. Jean (CA)
(**) Term: **14 Years**

D444,574 S 7/2001 Gibson et al.
D447,818 S * 9/2001 Weber D25/68
D449,385 S 10/2001 Rosko
6,390,238 B1 * 5/2002 Gibson et al. 182/161
6,443,260 B1 * 9/2002 Katz et al. 182/129
6,450,290 B1 * 9/2002 Spak D25/64
D465,289 S 11/2002 Gibson et al.
D466,225 S 11/2002 Rosko
D530,025 S 10/2006 Patton et al.
D531,322 S 10/2006 Patton et al.

(21) Appl. No.: **29/277,599**
(22) Filed: **Mar. 2, 2007**

* cited by examiner

(51) **LOC (8) Cl.** **25-04**
(52) **U.S. Cl.** **D25/68**
(58) **Field of Classification Search** D25/65,
D25/64, 68; 182/152, 156, 163, 165, 33,
182/22, 115, 116; 248/238
See application file for complete search history.

Primary Examiner—Doris Clark
(74) *Attorney, Agent, or Firm*—Cook, Alex, McFarron,
Manzo, Cummings & Mehler, Ltd.

(57) **CLAIM**

The ornamental design for the step stool tray, as shown and described.

(56) **References Cited**
U.S. PATENT DOCUMENTS

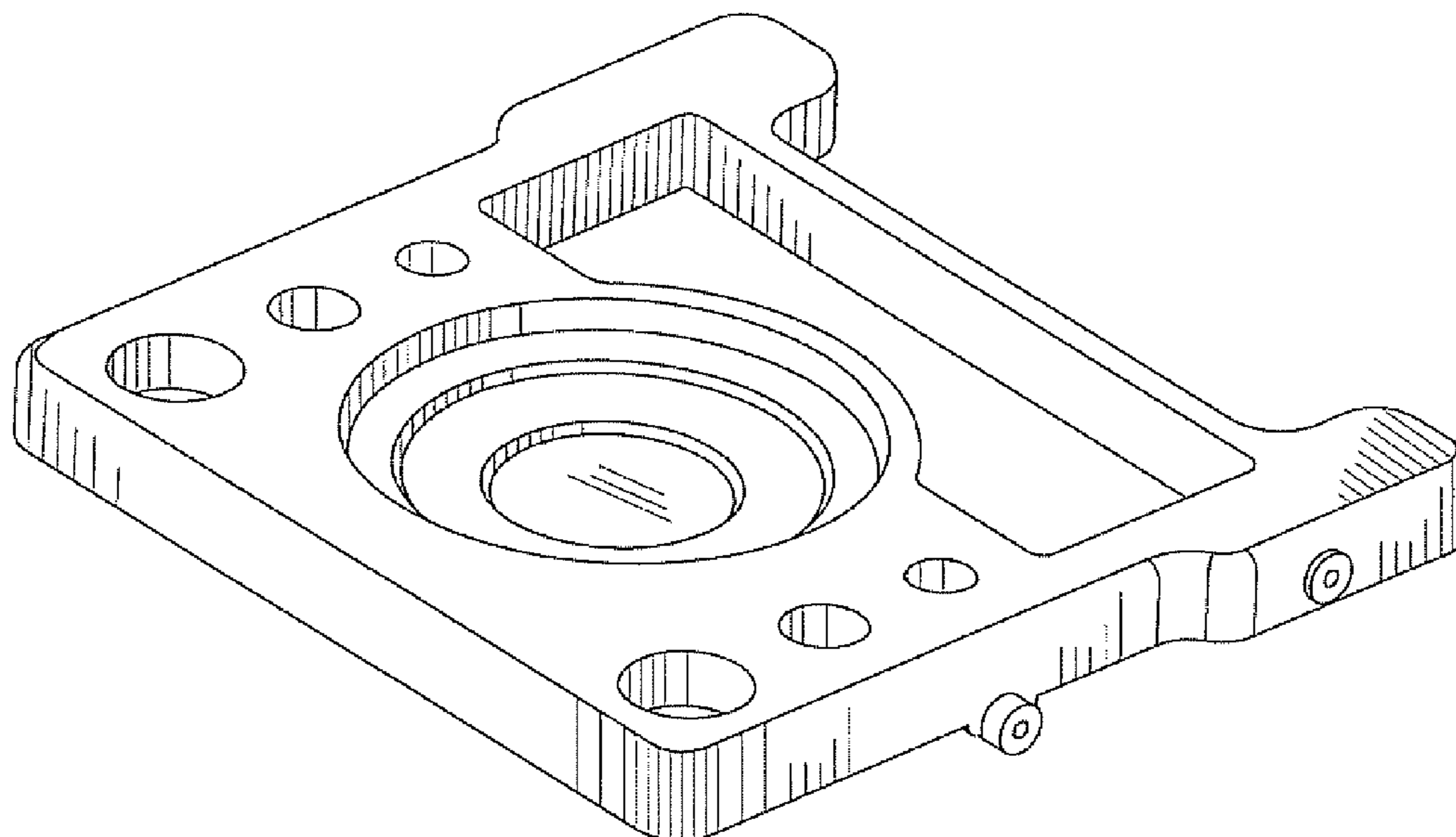
DESCRIPTION

3,127,953 A * 4/1964 Shore 182/106
D310,884 S 9/1990 Patton et al.
D340,291 S * 10/1993 Bartnicki et al. D25/68
D340,773 S 10/1993 Bartnicki et al.
5,259,480 A 11/1993 Bartnicki et al.
5,358,070 A 10/1994 Bartnicki et al.
D372,105 S 7/1996 Plotner
5,573,081 A 11/1996 Bartnicki et al.
D388,882 S * 1/1998 Kain D25/64
D397,228 S 8/1998 Bell et al.
D401,353 S 11/1998 Bell et al.
D410,550 S 6/1999 Meyers
D413,990 S 9/1999 Bartnicki et al.
D414,566 S 9/1999 Gibson et al.
6,012,548 A * 1/2000 Kim 182/165
D422,717 S 4/2000 Bartnicki et al.
D433,156 S 10/2000 Gibson et al.

FIG. 1 is a perspective rear view of the design of the present invention.
FIG. 2 is a front view of the design shown in FIG. 1.
FIG. 3 is a right side view of the design shown in FIG. 1.
FIG. 4 is a left side view of the design shown in FIG. 1.
FIG. 5 is a top view of the design shown in FIG. 1.
FIG. 6 is a bottom view of the design shown in FIG. 1; and,
FIG. 7 is a perspective rear view of the design shown in FIG. 1, illustrated with a step stool not forming part of the claimed design.

The broken lines are for illustrative purposes only and form no part of the claimed design.

1 Claim, 7 Drawing Sheets



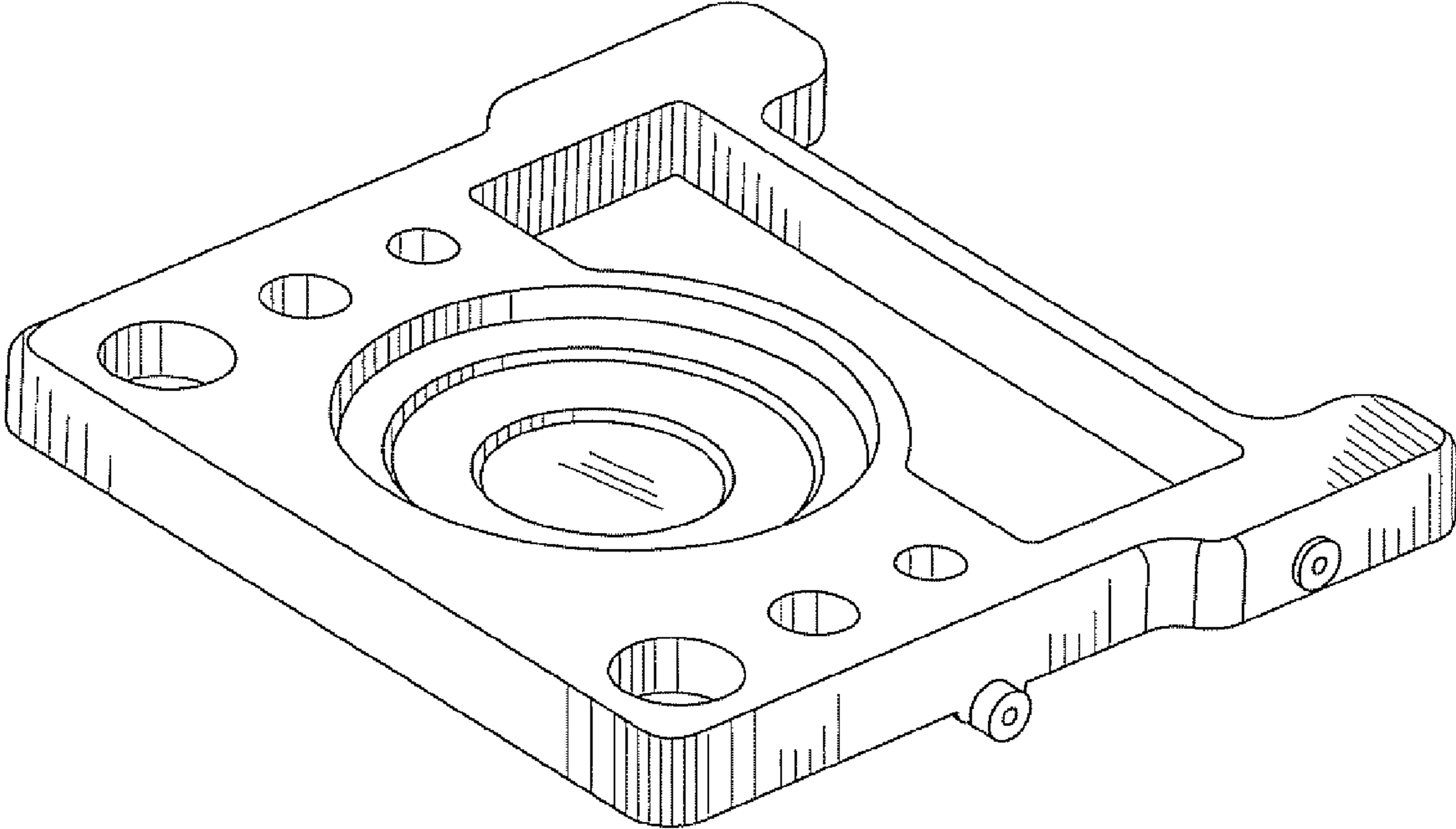


Fig. 1

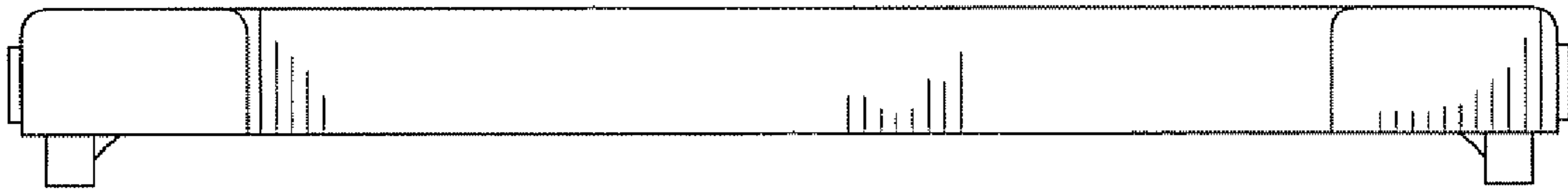


Fig. 2

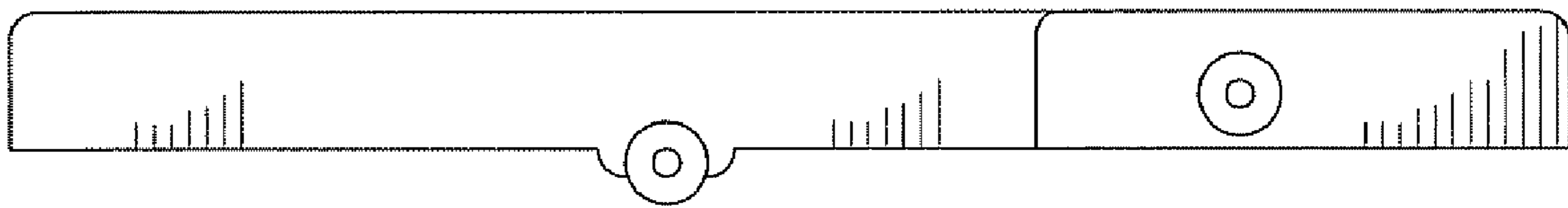


Fig. 3

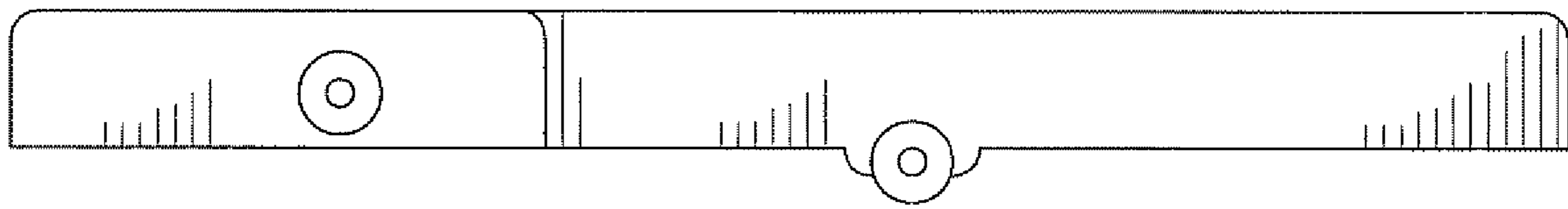


Fig. 4

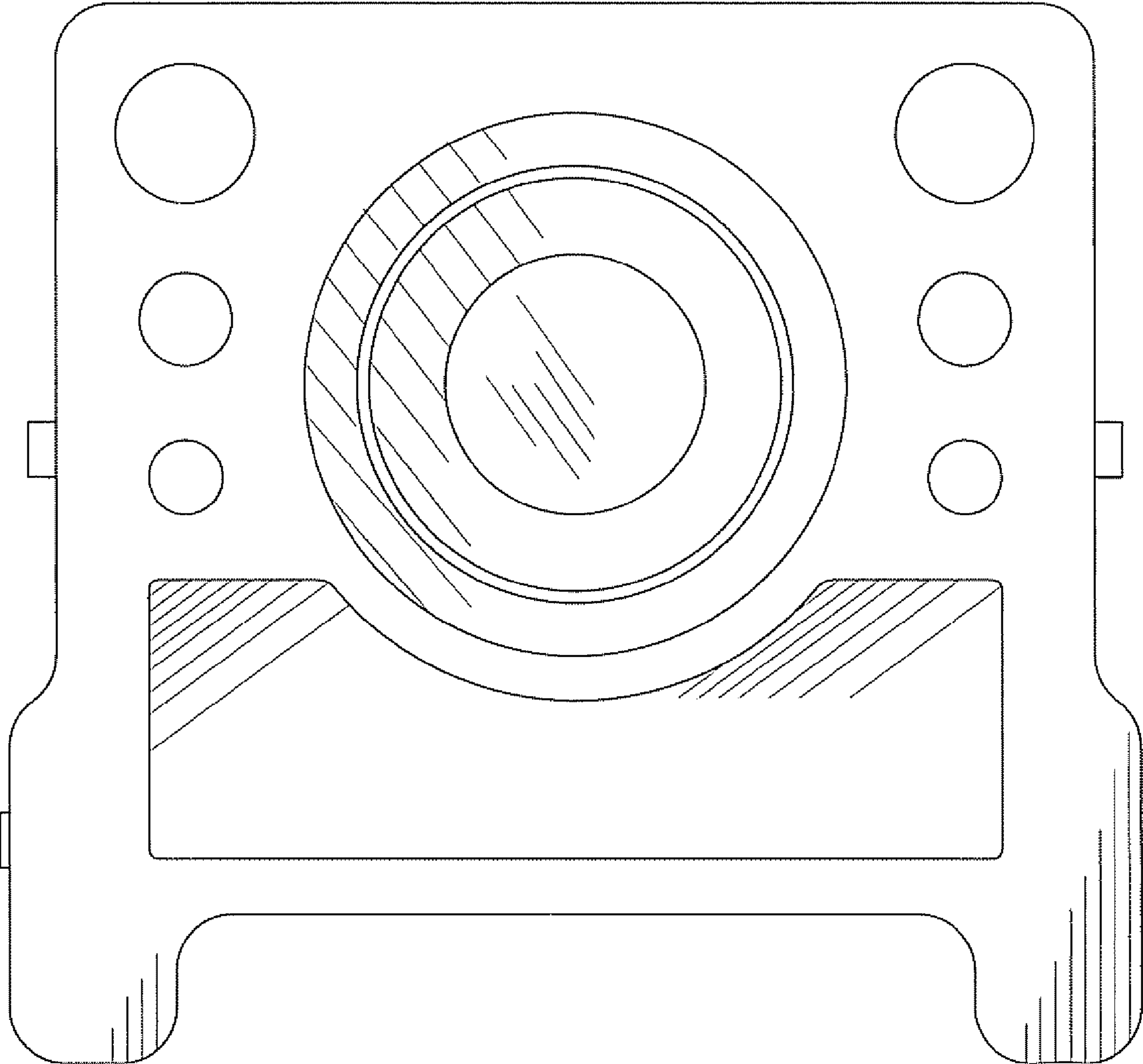


Fig. 5

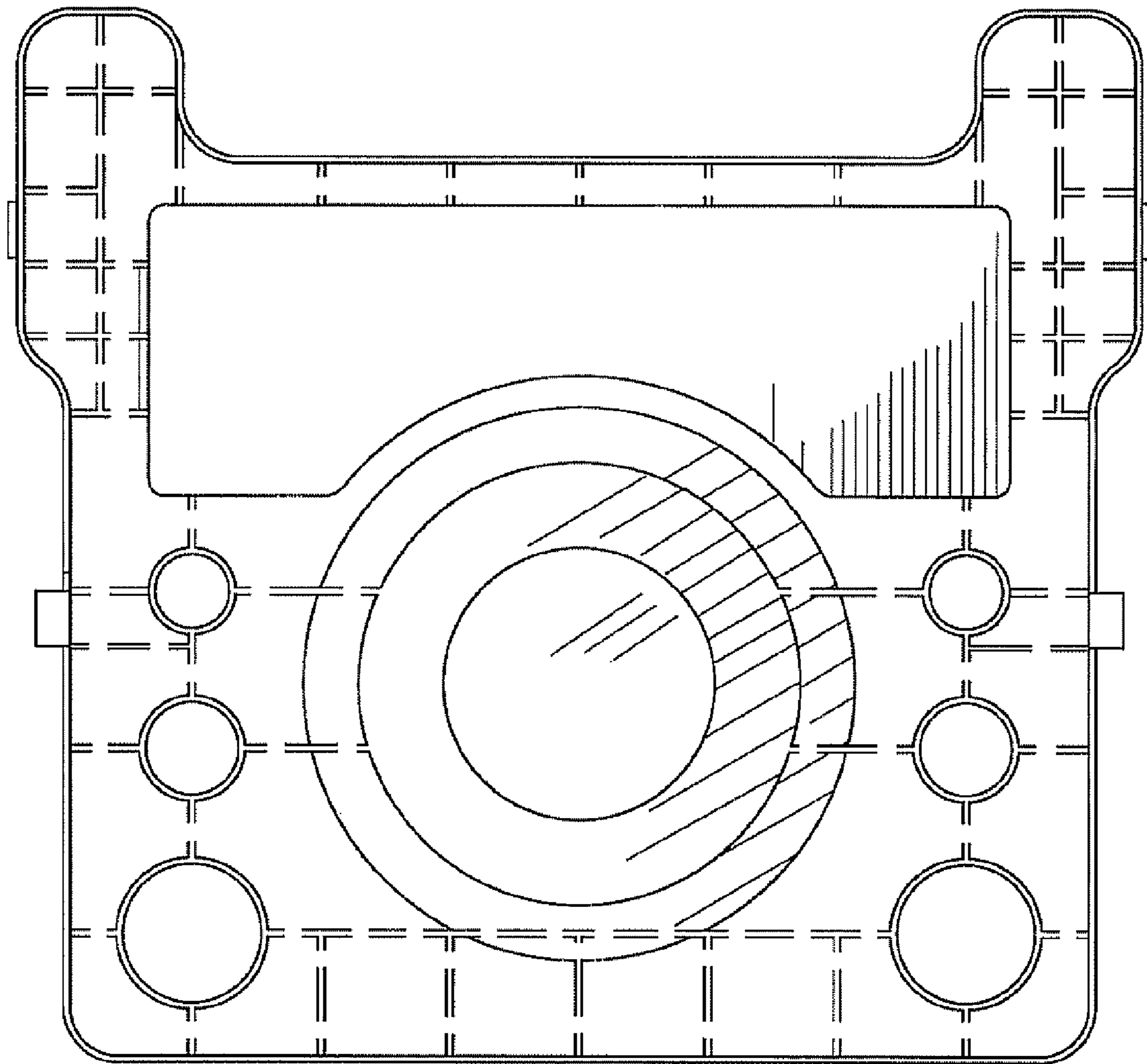


Fig. 6

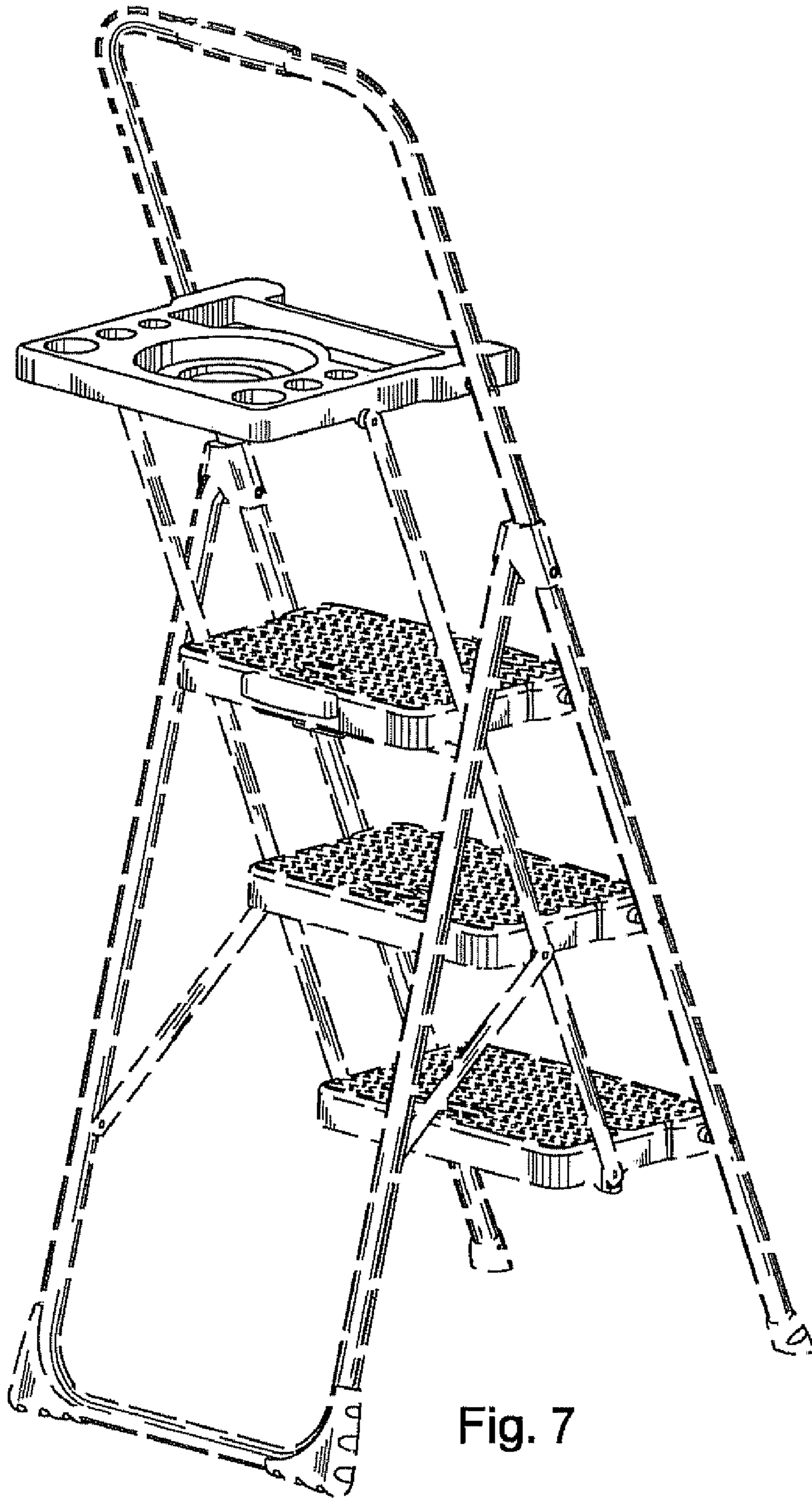


Fig. 7