



US00D564664S

(12) **United States Design Patent**
Bailey et al.

(10) **Patent No.:** **US D564,664 S**
(45) **Date of Patent:** **** Mar. 18, 2008**

(54) **EARPIECE**

D532,520 S * 11/2006 Kampmeier et al. D24/174
D532,770 S * 11/2006 Engstrom et al. D14/205

(75) Inventors: **John Bailey**, Crawley (GB); **Roland Keplinger**, Nürnberg (DE)

(73) Assignee: **Siemens Aktiengesellschaft**, Munich (DE)

* cited by examiner

(**) Term: **14 Years**

Primary Examiner—Stella M. Reid
Assistant Examiner—Anhdao Doan

(21) Appl. No.: **29/266,642**

(57) **CLAIM**

(22) Filed: **Sep. 26, 2006**

I claim the ornamental design for a earpiece, as shown and described.

Related U.S. Application Data

(62) Division of application No. 29/226,959, filed on Apr. 5, 2005, now Pat. No. Des. 532,110.

DESCRIPTION

(30) **Foreign Application Priority Data**

Dec. 17, 2004 (EM) 000270699

FIG. 1 is a perspective view of an earpiece showing our new design;

(51) **LOC (8) Cl.** **24-99**

FIG. 2 is a front view thereof;

(52) **U.S. Cl.** **D24/174**

FIG. 3 is a rear view thereof;

(58) **Field of Classification Search** D24/173,
D24/174; D14/205, 223; 381/23.1, 312,
381/322-330, 380-382; 181/129, 130, 134,
181/135, 137

FIG. 4 is a left side view thereof;

FIG. 5 is a right side view thereof;

See application file for complete search history.

FIG. 6 is a top view thereof; and,

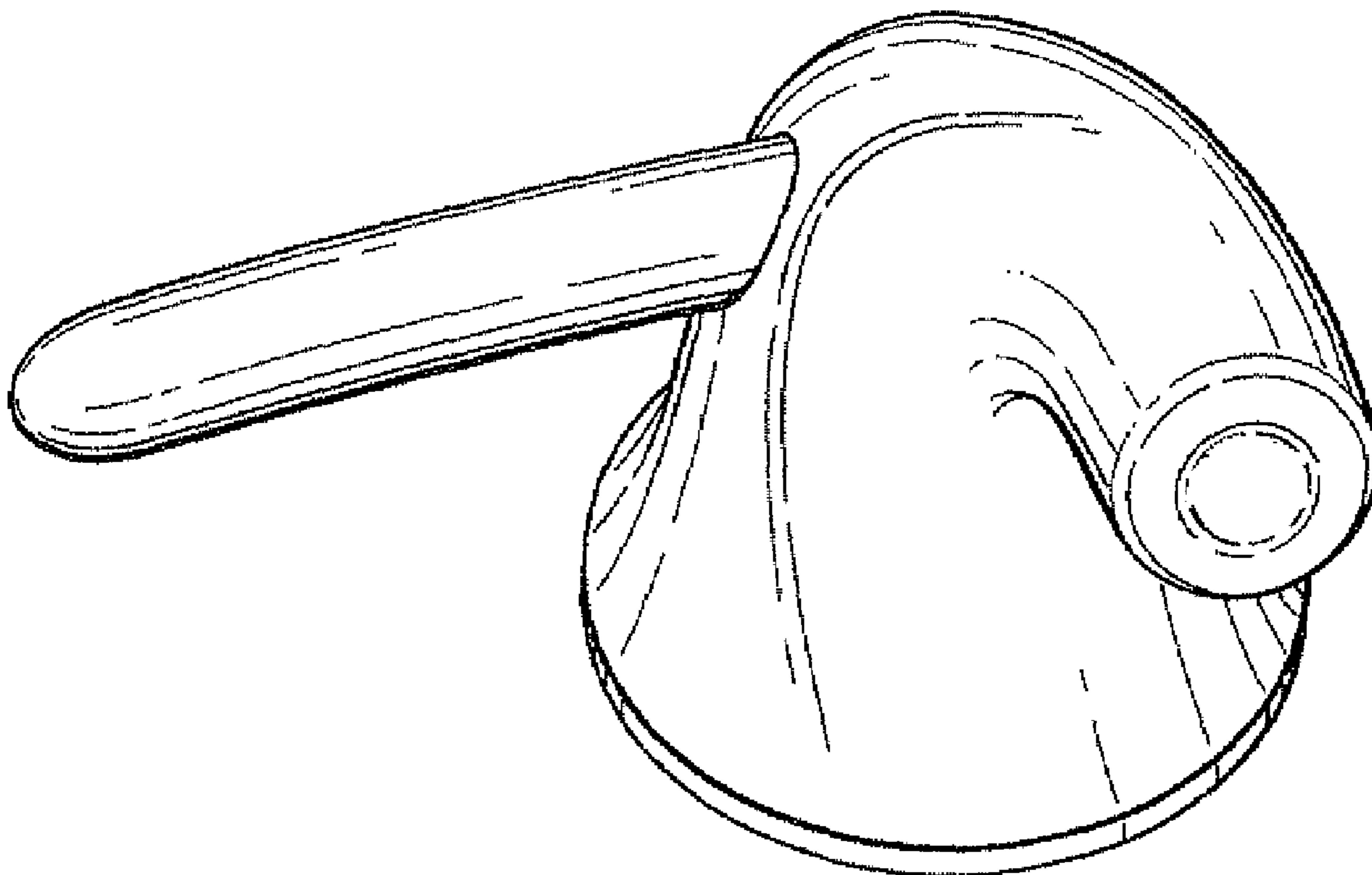
FIG. 7 is a bottom view thereof, wherein the broken lines are included for the purpose of illustrating a portion of the earpiece that forms no part of the claimed design.

(56) **References Cited**

U.S. PATENT DOCUMENTS

D478,991 S * 8/2003 Dyer et al. D24/174

1 Claim, 7 Drawing Sheets



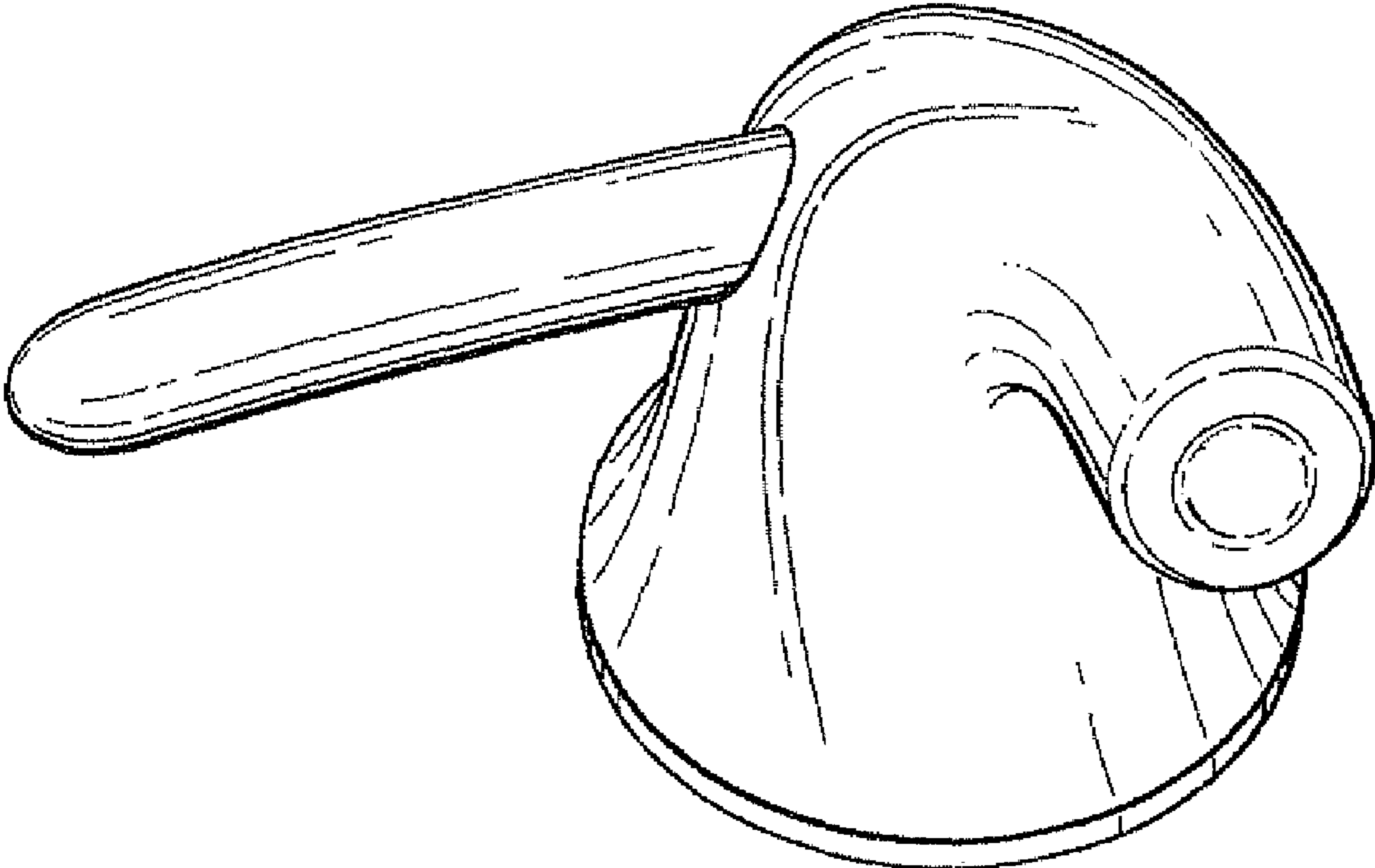


FIGURE 1

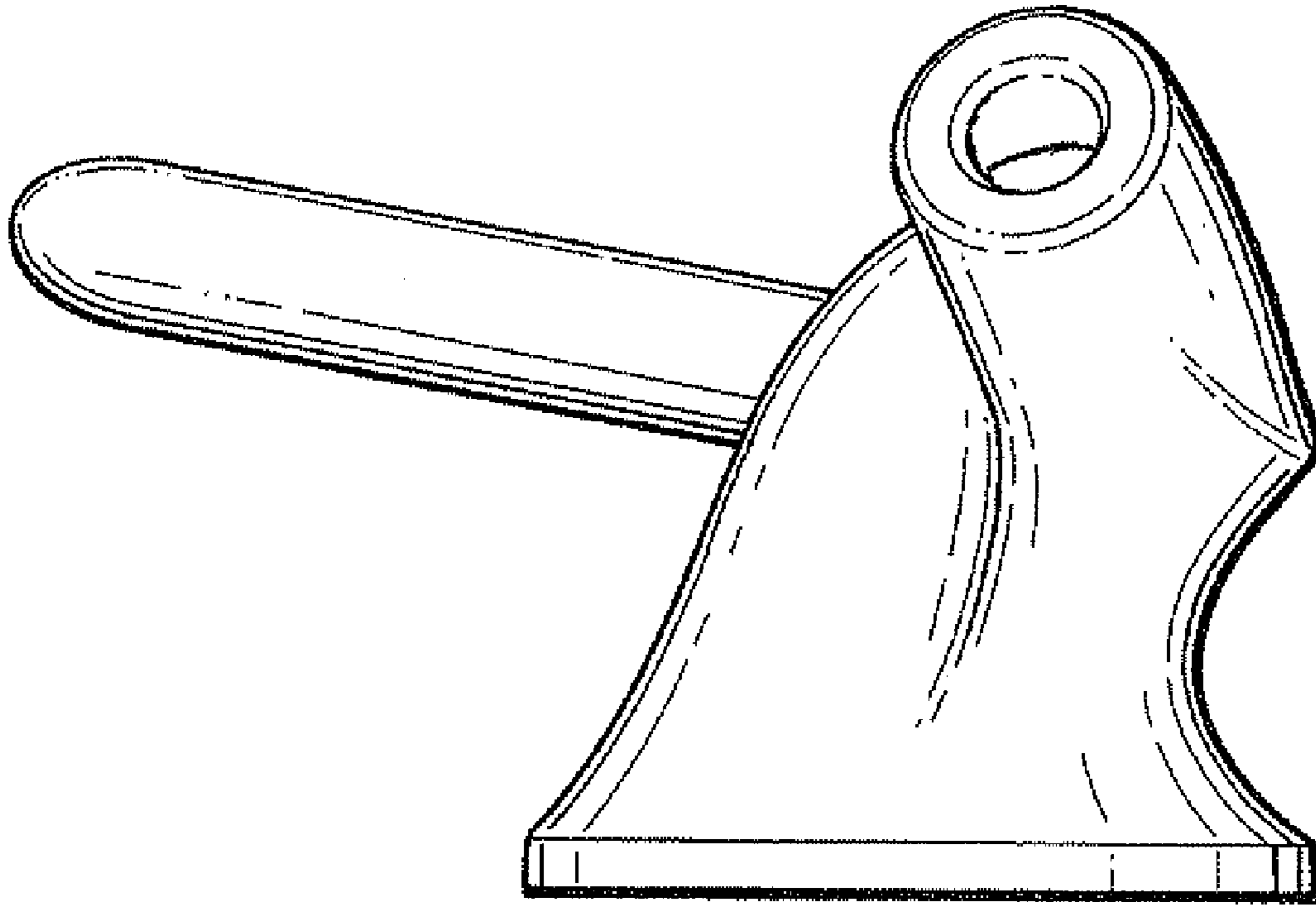


FIGURE 2

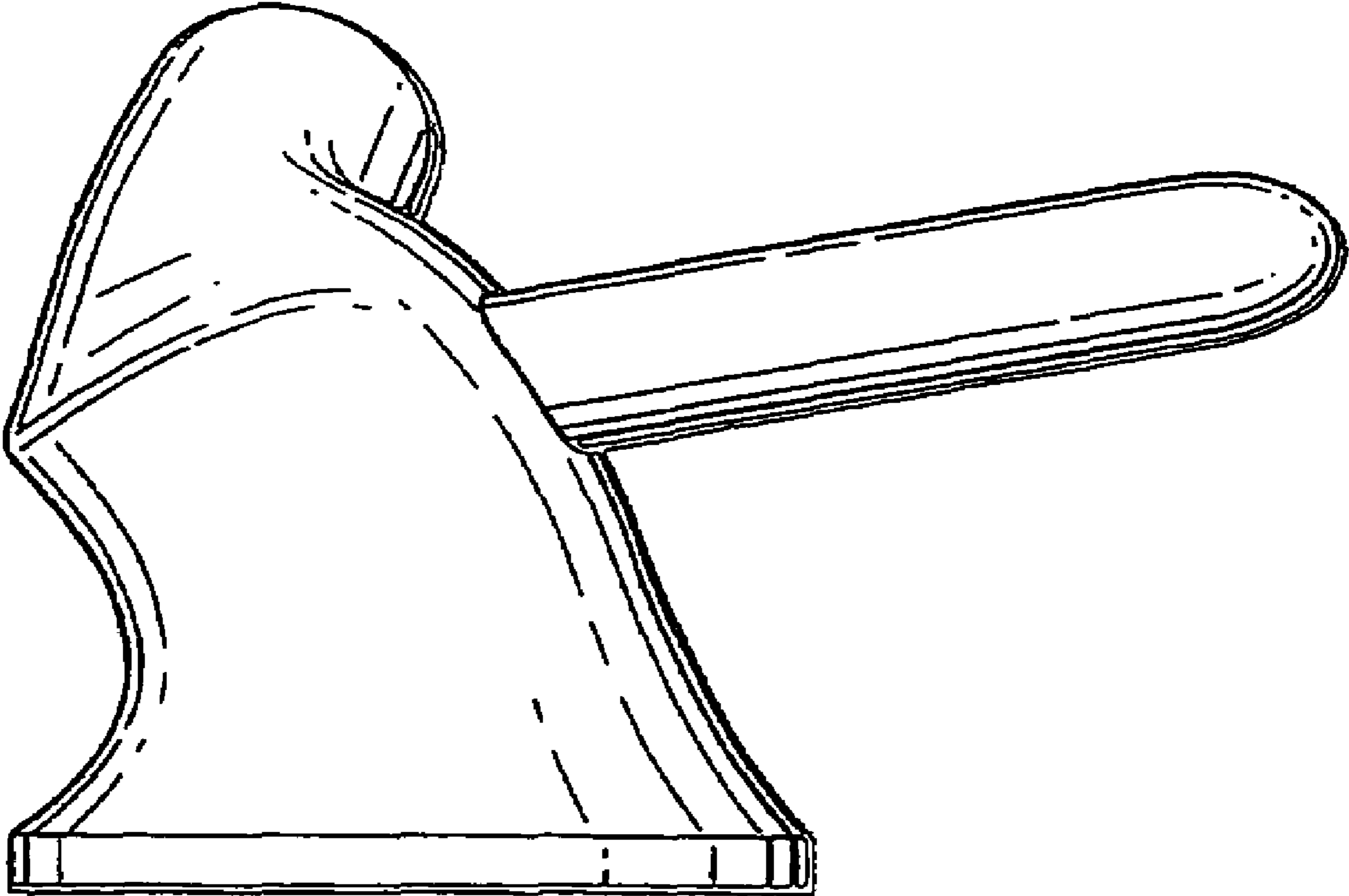


FIGURE 3

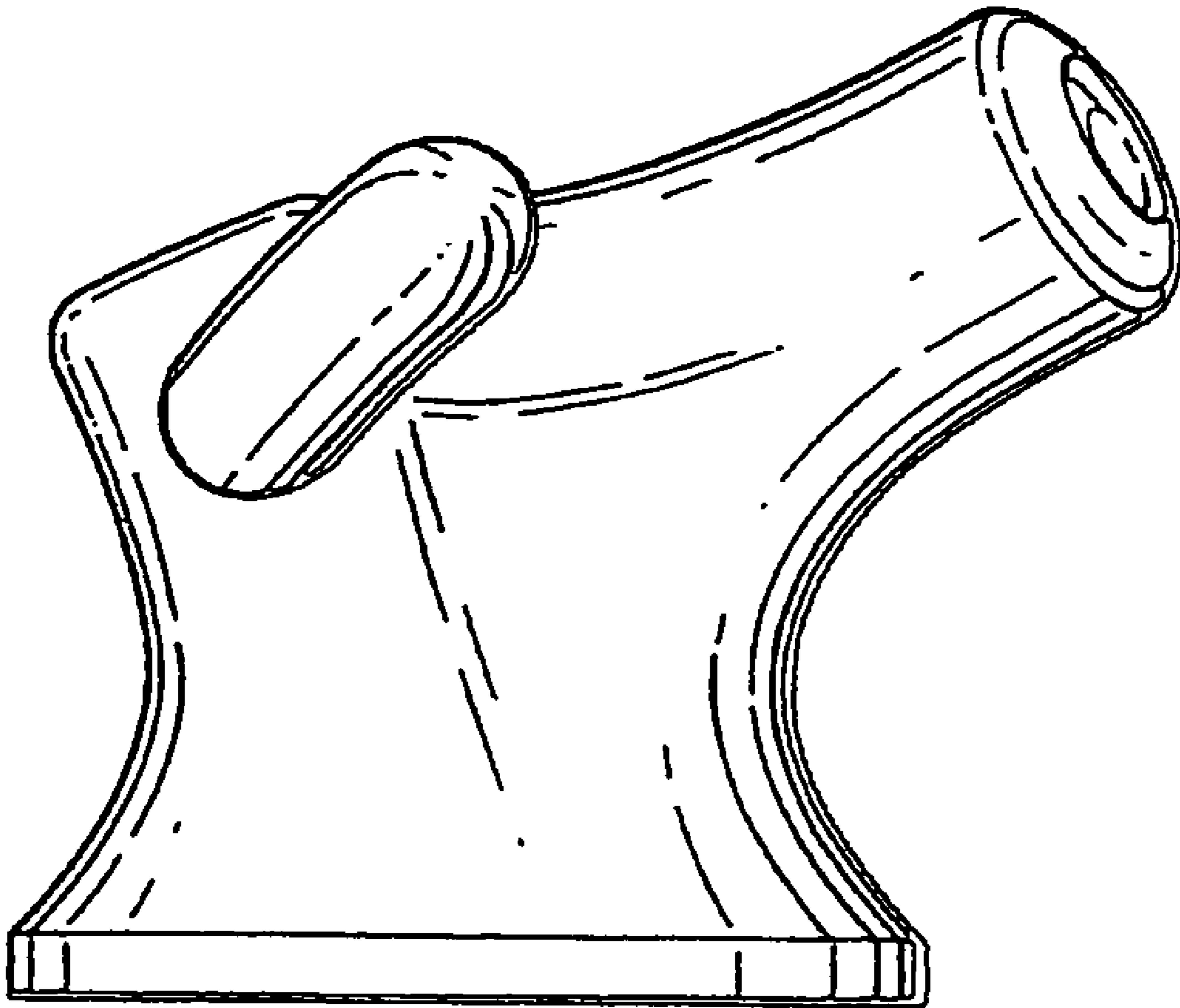


FIGURE 4

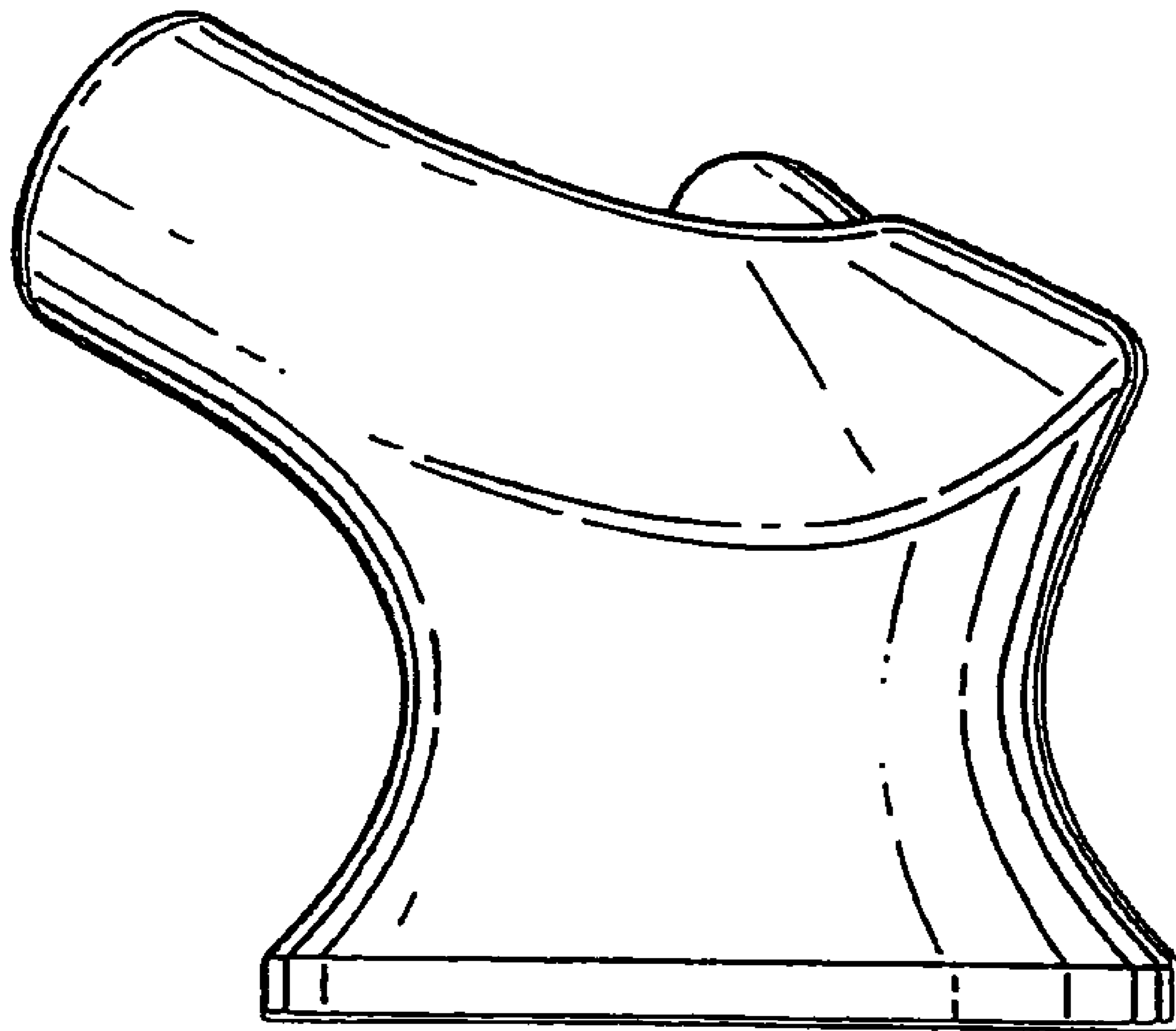


FIGURE 5

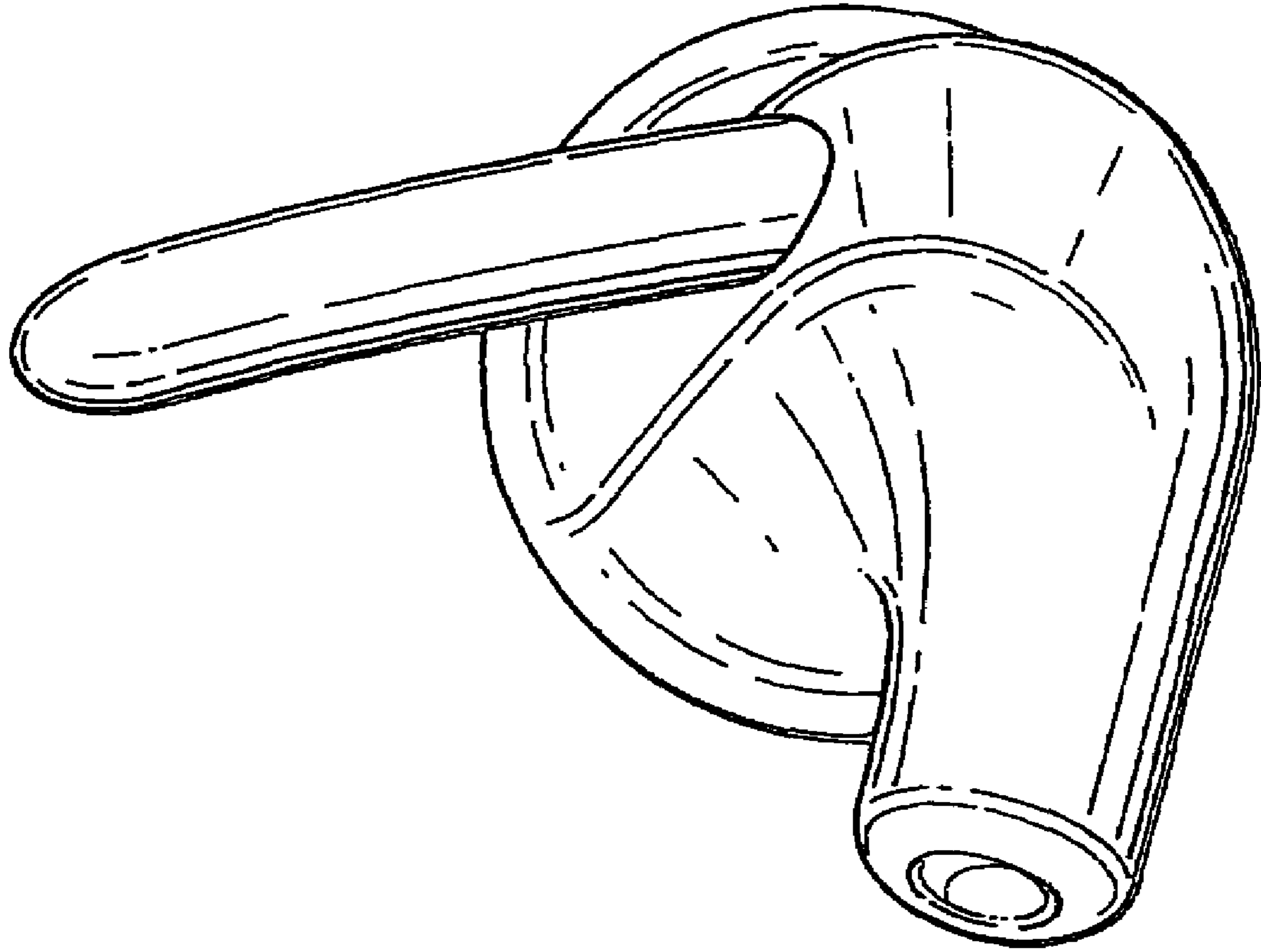


FIGURE 6

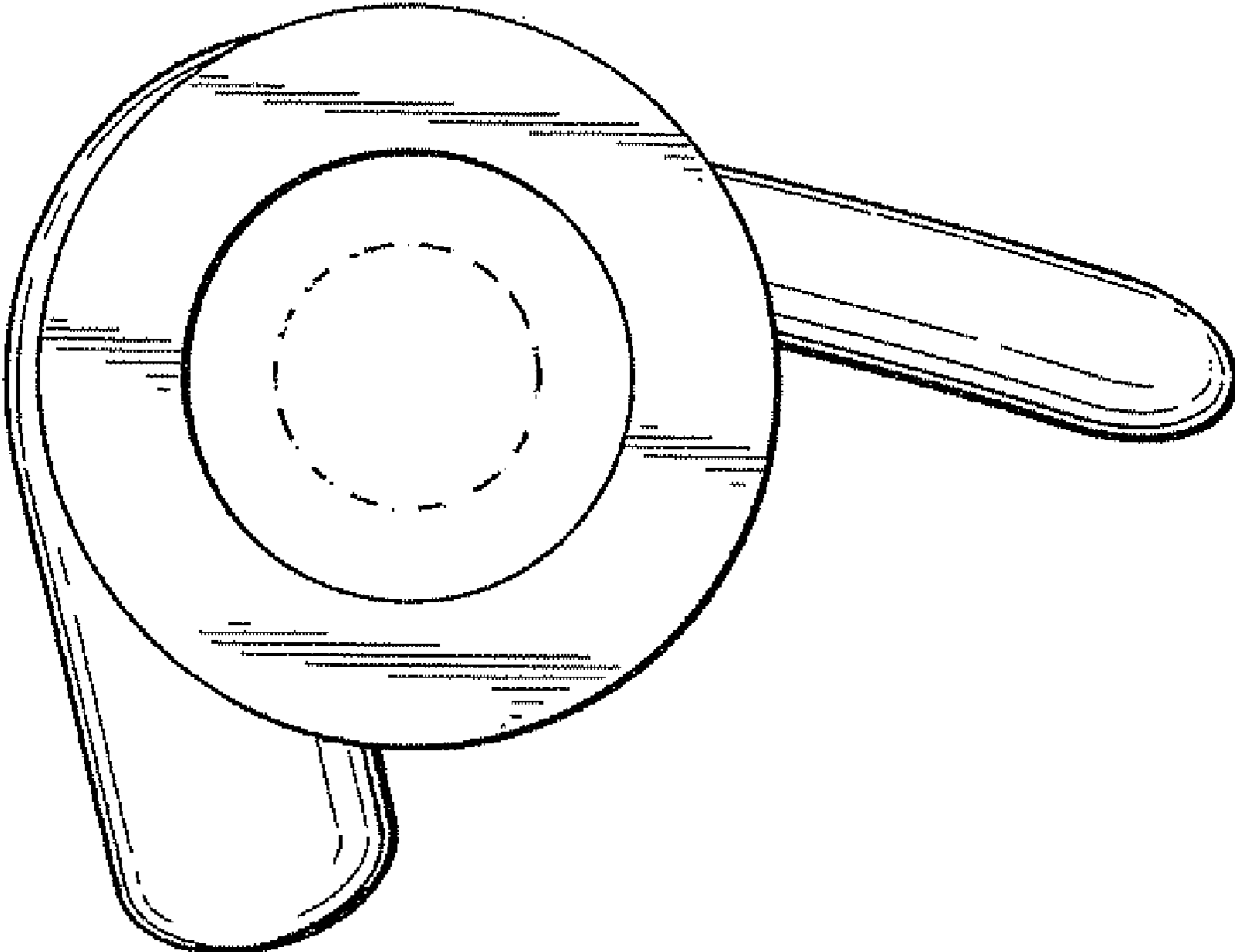


FIGURE 7