



US00D564663S

(12) **United States Design Patent**
Udagawa et al.

(10) **Patent No.:** **US D564,663 S**
(45) **Date of Patent:** **** Mar. 18, 2008**

(54) **IMAGING STATION**

2006/0092315 A1 5/2006 Payonk et al.

(75) Inventors: **Masamichi Udagawa**, New York, NY (US); **Sigrid Moeslinger**, New York, NY (US)

OTHER PUBLICATIONS

Webpage on VISIA Imaging System from Canfield Scientific, Inc., Fairfield, NJ, 2007, pp. 1; and "VISIA Complexion Analysis" brochure from Canfield Imaging Systems, Inc., Fairfield, NJ, (4 pages).

(73) Assignee: **Johnson & Johnson Consumer Companies, Inc.**, Skillman, NJ (US)

* cited by examiner

(**) Term: **14 Years**

Primary Examiner—Stella M. Reid
Assistant Examiner—Anhdao Doan

(21) Appl. No.: **29/266,978**

(22) Filed: **Oct. 2, 2006**

(57) **CLAIM**

The ornamental design for an imaging station, as shown.

(51) **LOC (8) Cl.** **24-01**

(52) **U.S. Cl.** **D24/158**

(58) **Field of Classification Search** D24/158-161;
378/4, 19-21, 23, 25, 27, 146; D16/205,
D16/208, 215; 396/15, 18

See application file for complete search history.

DESCRIPTION

FIG. 1 is a front perspective view of an imaging station showing my new design;

FIG. 2 is a rear perspective view thereof;

FIG. 3 is a front elevational view thereof;

FIG. 4 is a rear elevational view thereof;

FIG. 5 is a left side elevational view thereof;

FIG. 6 is a right side elevational view thereof;

FIG. 7 is a top plan view thereof; and,

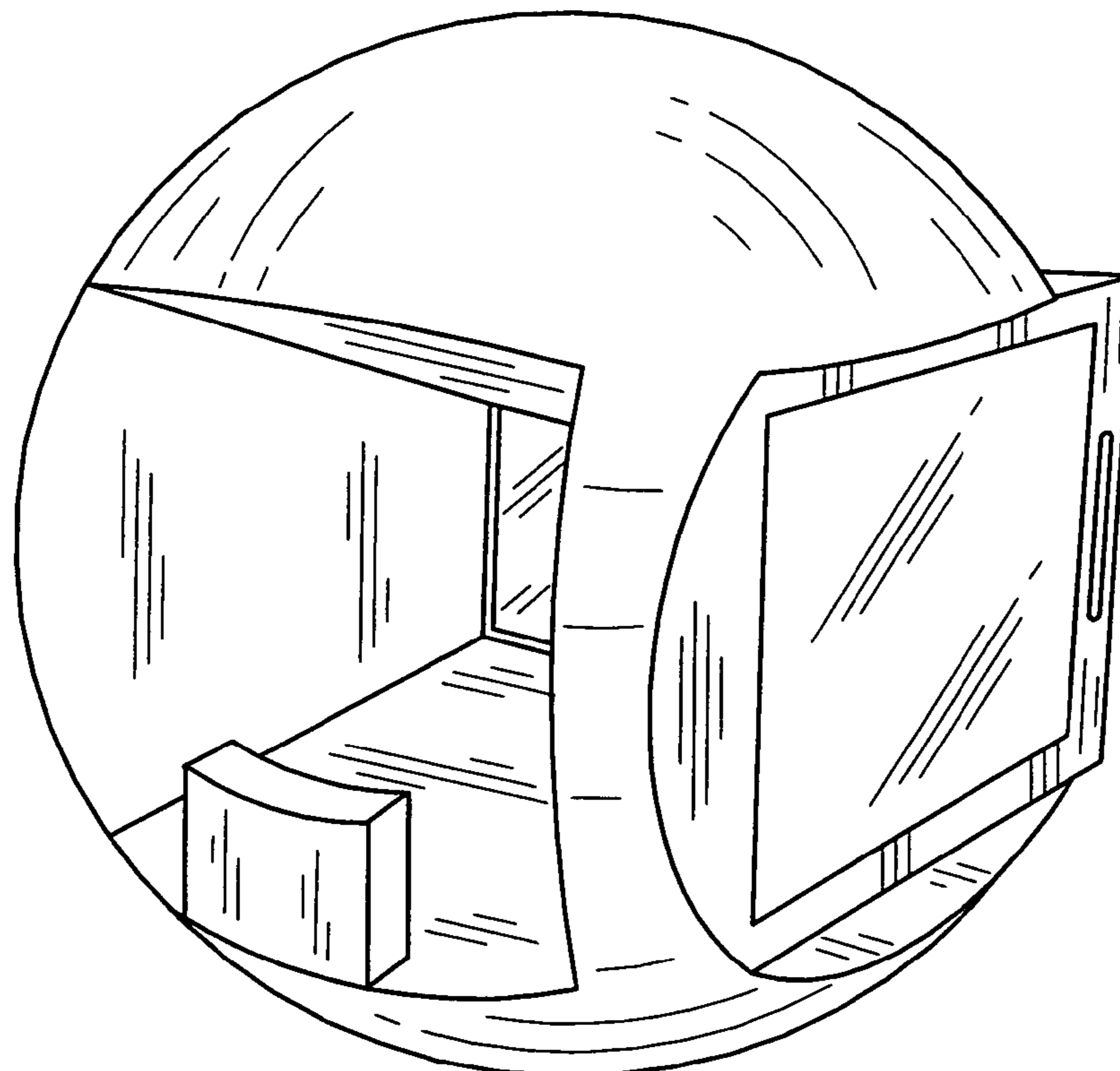
FIG. 8 is a bottom plan view thereof.

(56) **References Cited**

U.S. PATENT DOCUMENTS

D345,606 S *	3/1994	Perusek	D24/159
D408,915 S *	4/1999	Ogiwara	D24/158
D421,446 S *	3/2000	Tringali	D16/215
7,034,535 B2 *	4/2006	Yamagata	324/318
D548,326 S *	8/2007	Asai	D24/107
2003/0067545 A1	4/2003	Giron et al.		
2005/0195316 A1	9/2005	Kollias et al.		

1 Claim, 8 Drawing Sheets



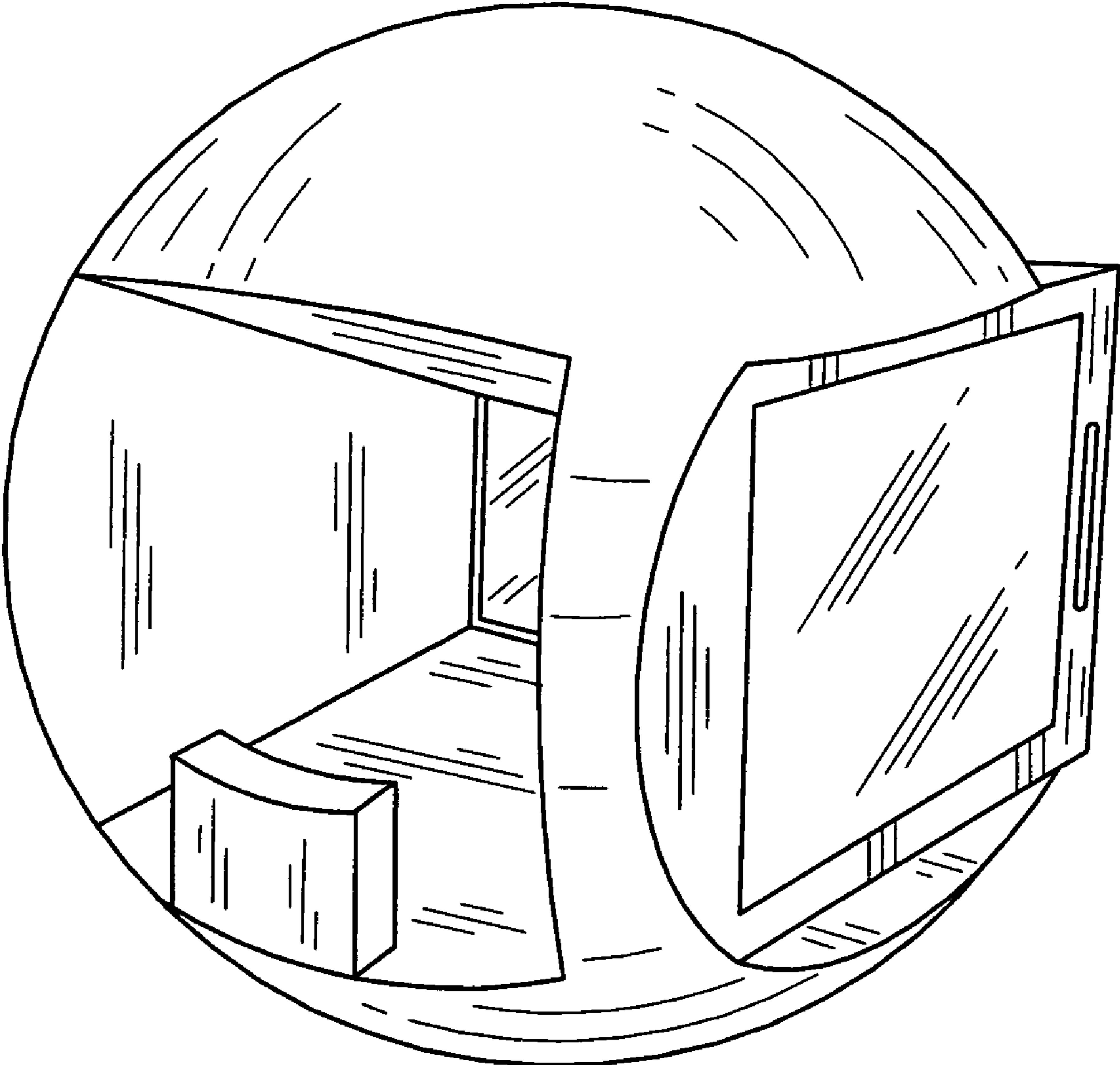


FIG. 1

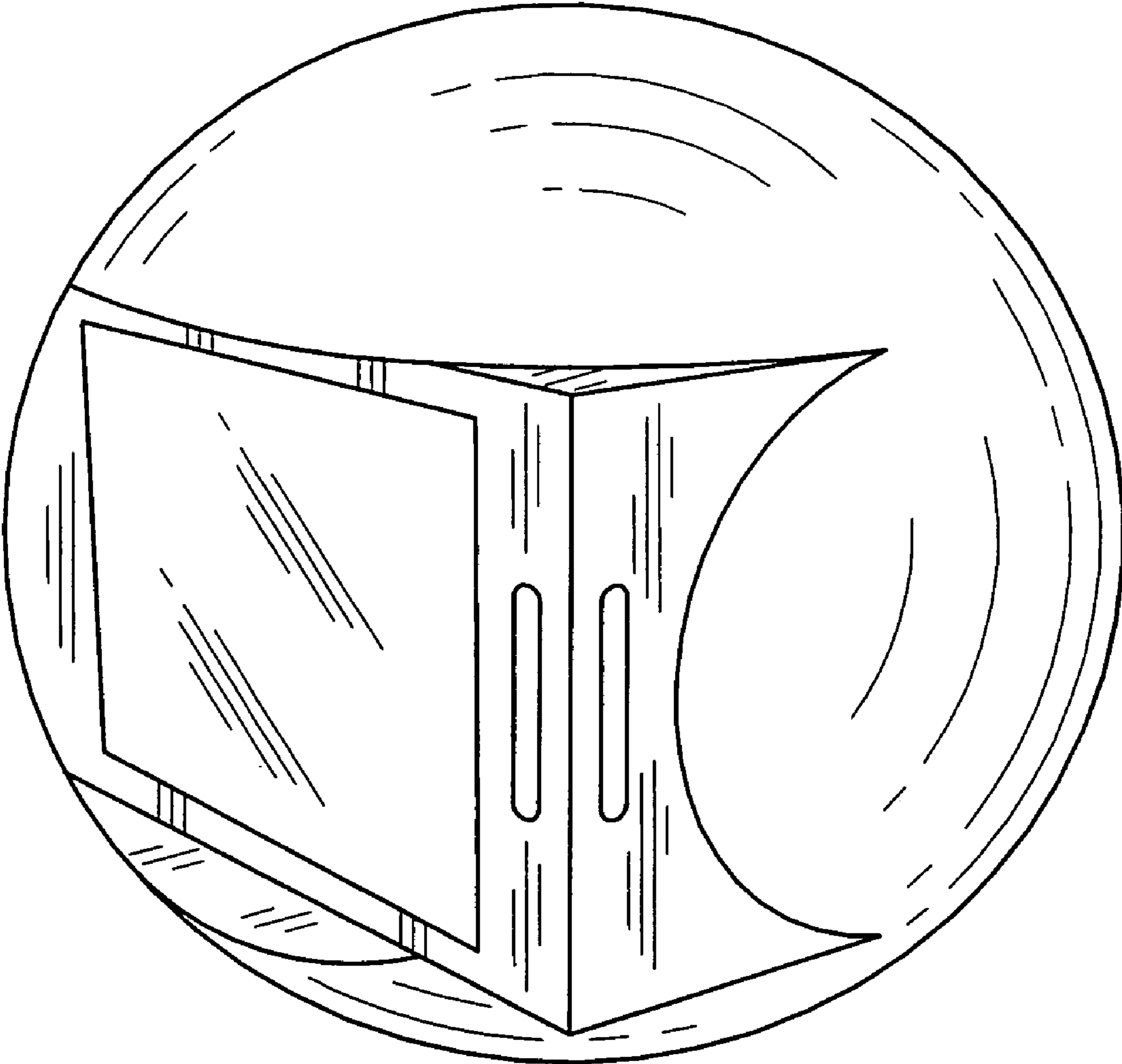


FIG. 2

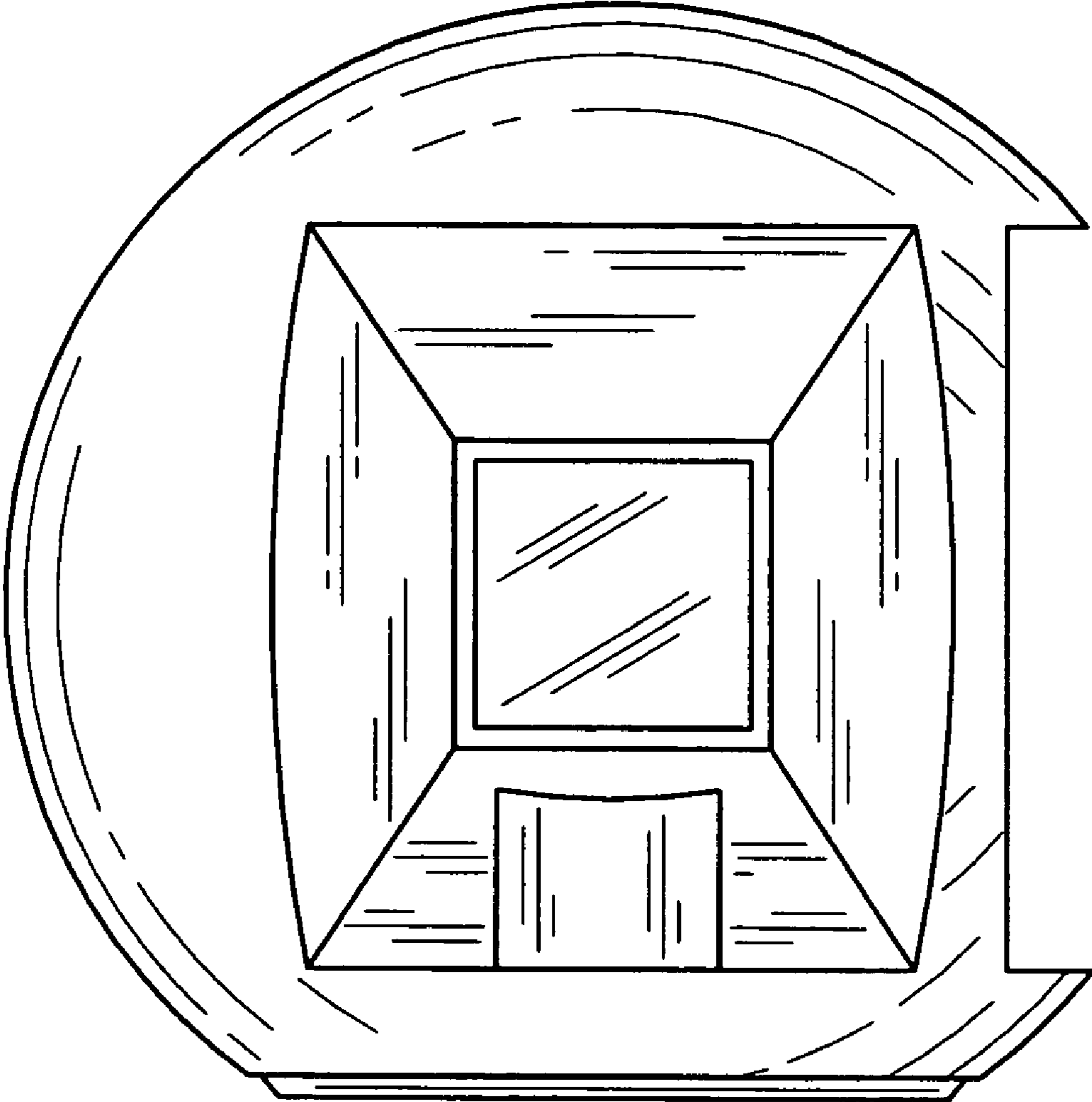


FIG. 3

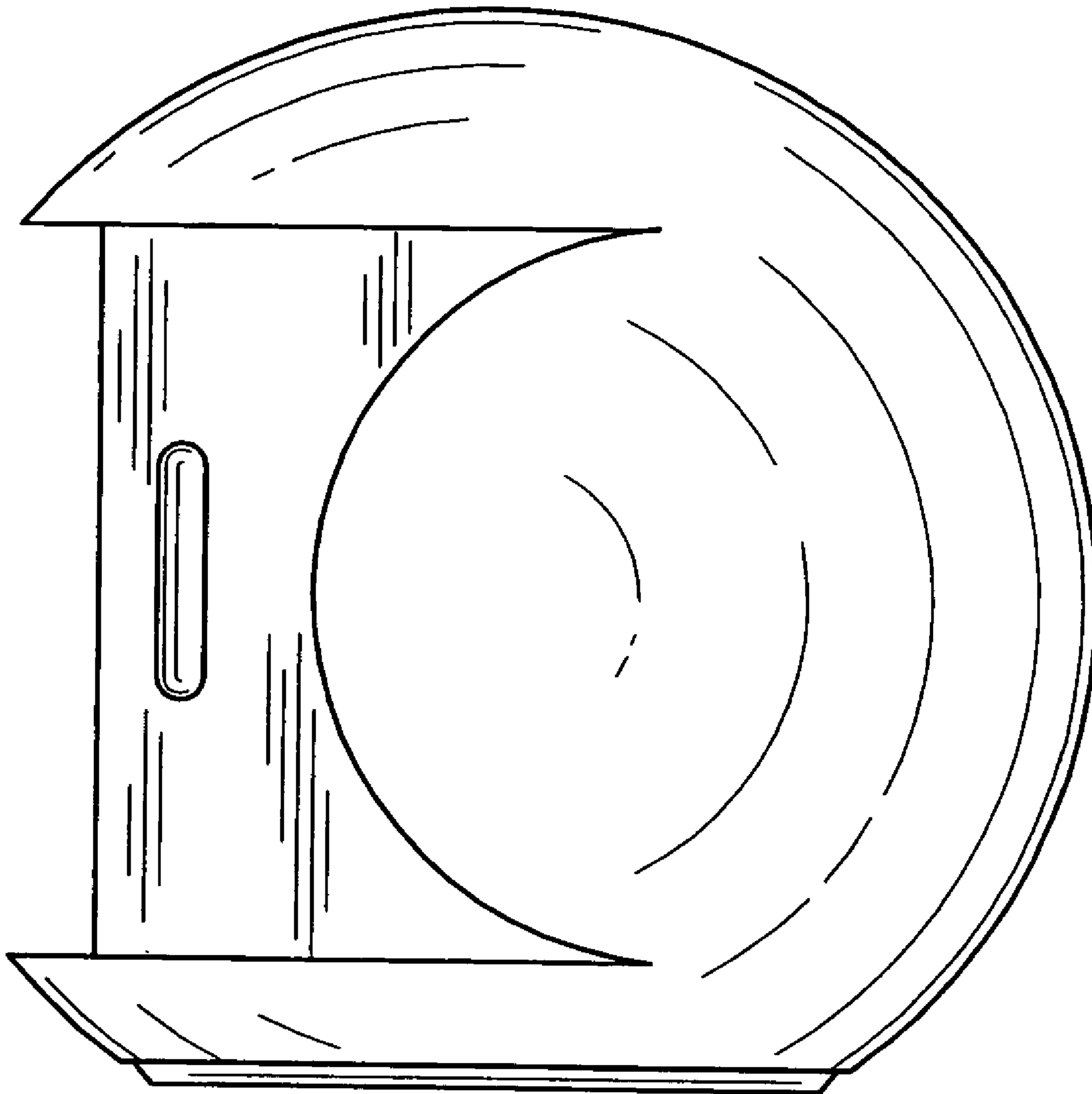


FIG. 4

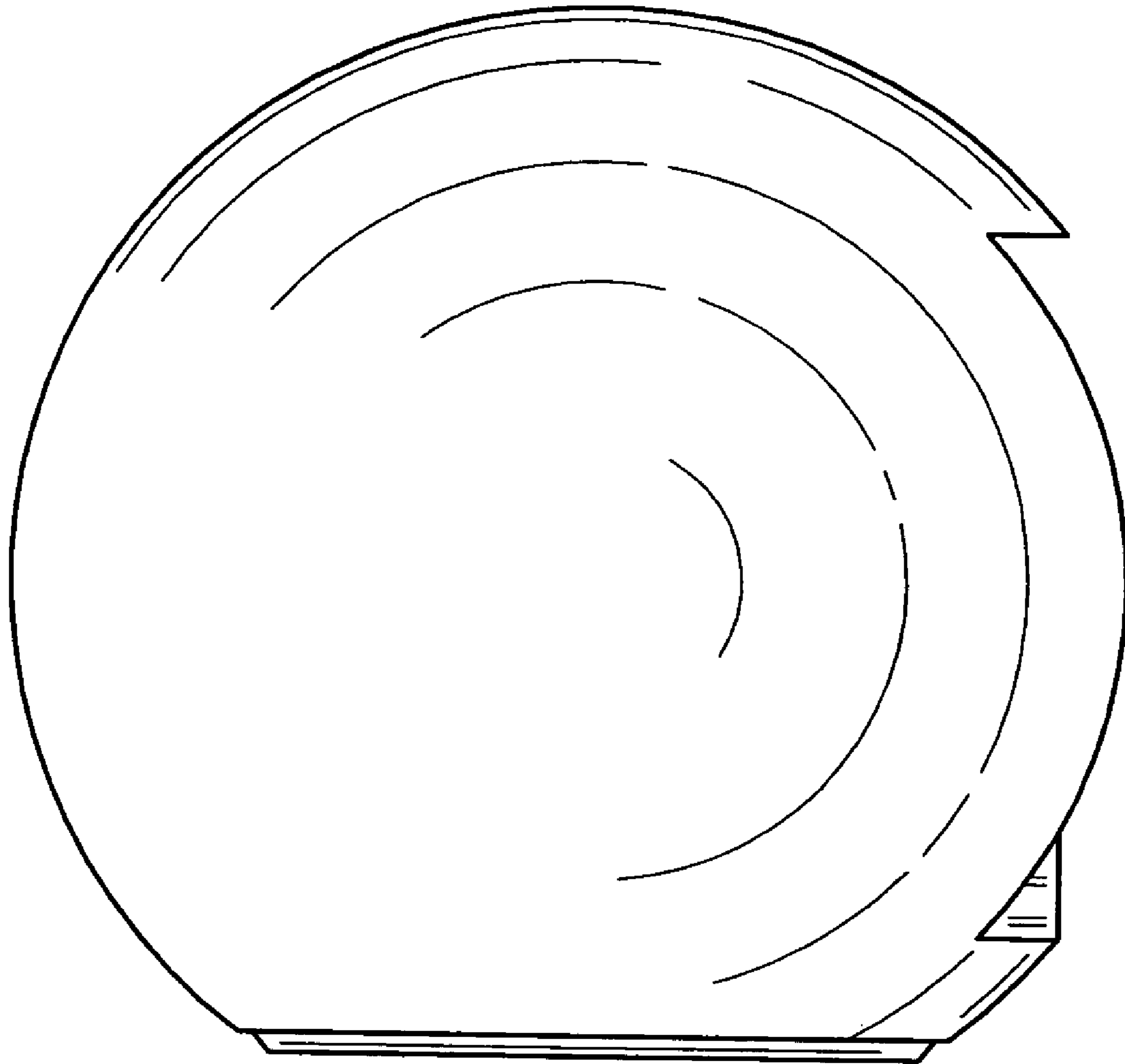


FIG. 5

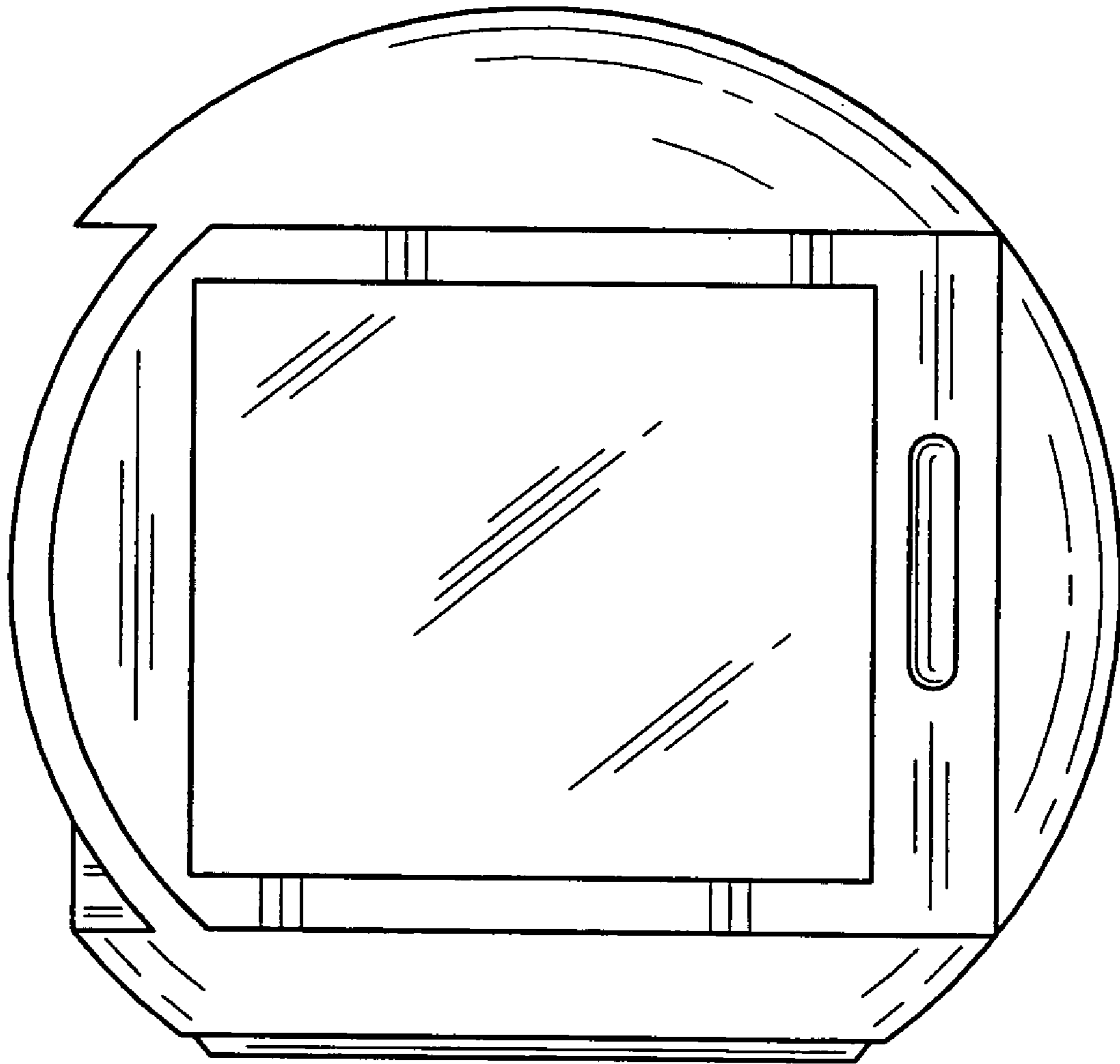


FIG. 6

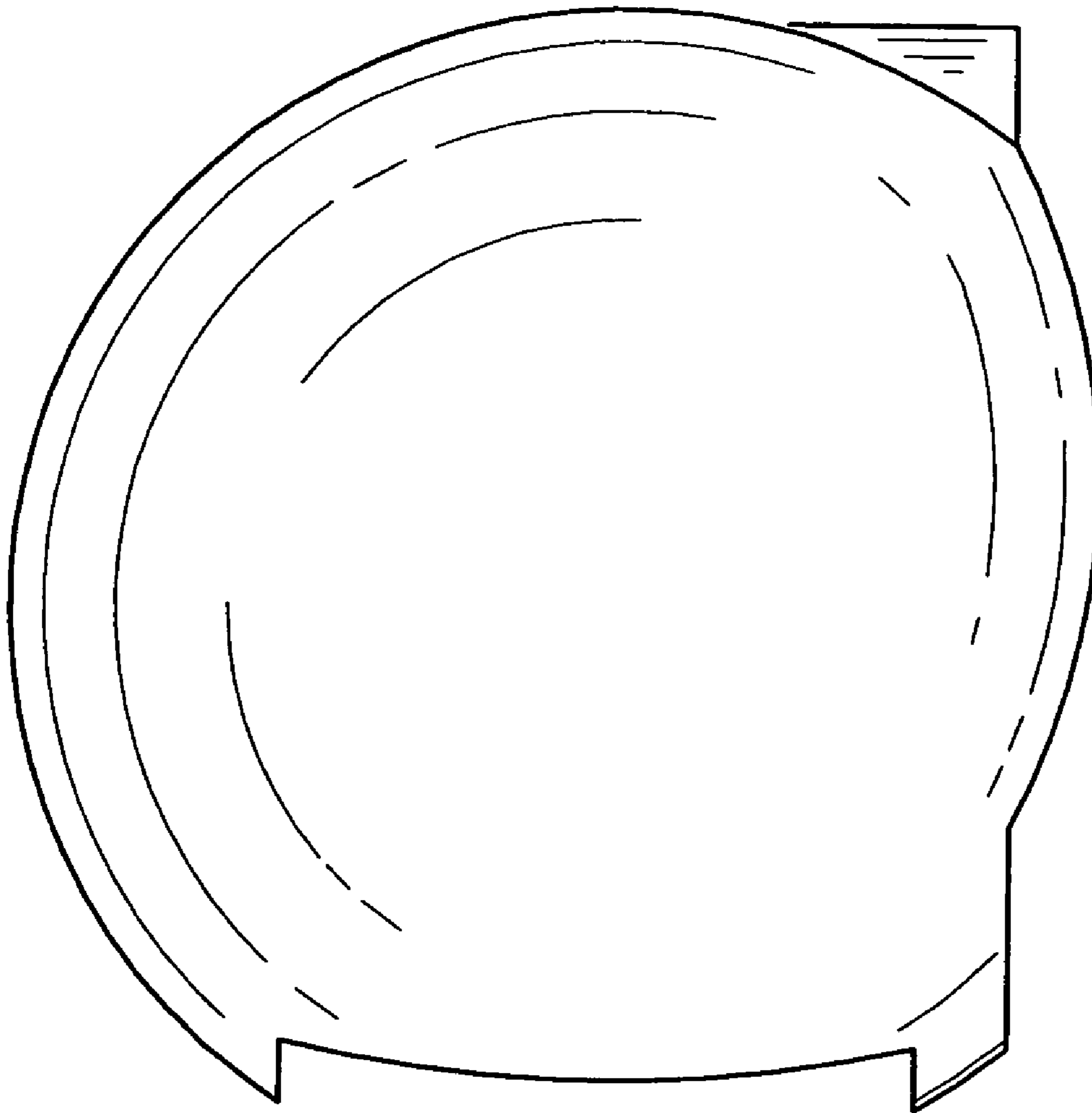


FIG. 7

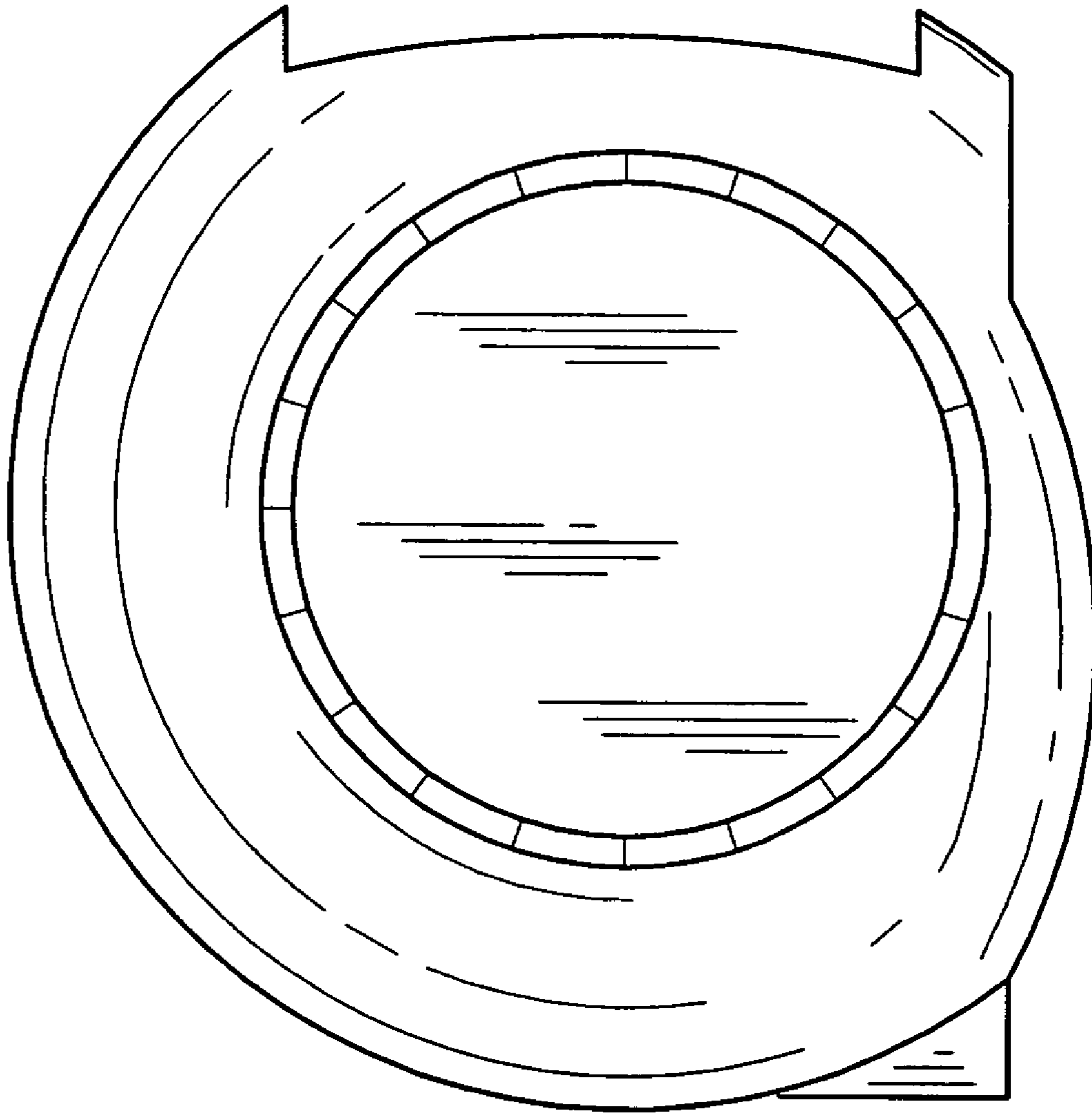


FIG. 8