



US00D564657S

(12) **United States Design Patent**
Tsai

(10) **Patent No.:** **US D564,657 S**
(45) **Date of Patent:** **** Mar. 18, 2008**

(54) **PROCTOSCOPE**

6,616,603 B1 * 9/2003 Fontana 600/199

(76) Inventor: **Yih-Chiou Tsai**, No. 20-8, Lane 252,
Tungchi St., Taichang Li, Tung Shin
Chen, Taichung Hsien (TW)

* cited by examiner

Primary Examiner—Ian Simmons
Assistant Examiner—Christopher Lee
(74) *Attorney, Agent, or Firm*—Bacon & Thomas, PLLC

(**) Term: **14 Years**

(21) Appl. No.: **29/264,291**

(57) **CLAIM**

(22) Filed: **Aug. 8, 2006**

The ornamental design for a proctoscope, as shown.

(51) **LOC (8) Cl.** **24-02**

DESCRIPTION

(52) **U.S. Cl.** **D24/135; D24/138; D24/141**

(58) **Field of Classification Search** D24/138,
D24/141, 135; 600/219, 220, 221, 222, 225,
600/184

FIG. 1 is a perspective view of a proctoscope, showing my
new design;

FIG. 2 is a front view thereof;

FIG. 3 is a rear view thereof;

FIG. 4 is a left view thereof;

FIG. 5 is a right view thereof;

FIG. 6 is top view thereof; and,

FIG. 7 is a bottom view thereof.

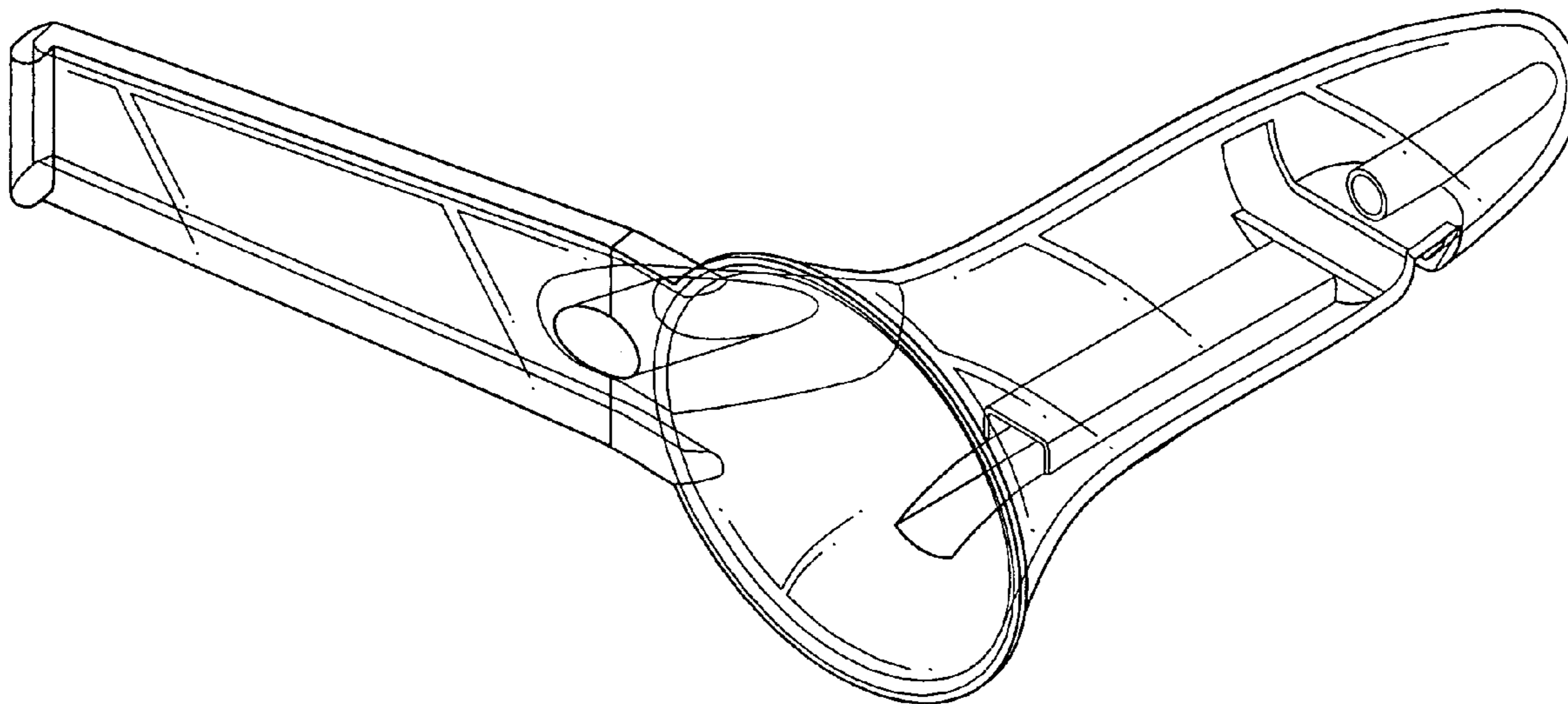
See application file for complete search history.

(56) **References Cited**

U.S. PATENT DOCUMENTS

2,469,880	A *	5/1949	Kowan	600/184
3,701,347	A *	10/1972	Belkin	600/184
6,315,713	B1 *	11/2001	Takada	600/114
D474,275	S *	5/2003	Tan	D24/135

1 Claim, 7 Drawing Sheets



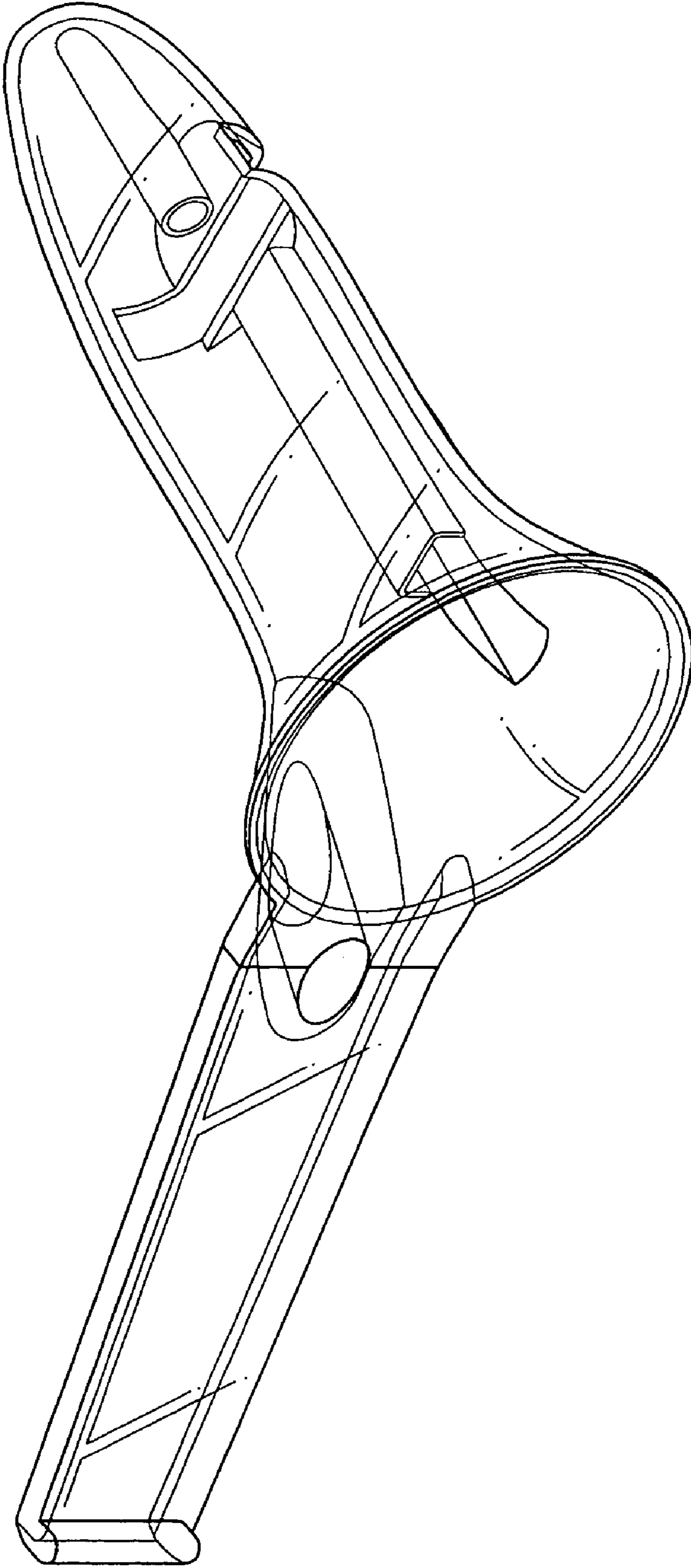


FIG. 1

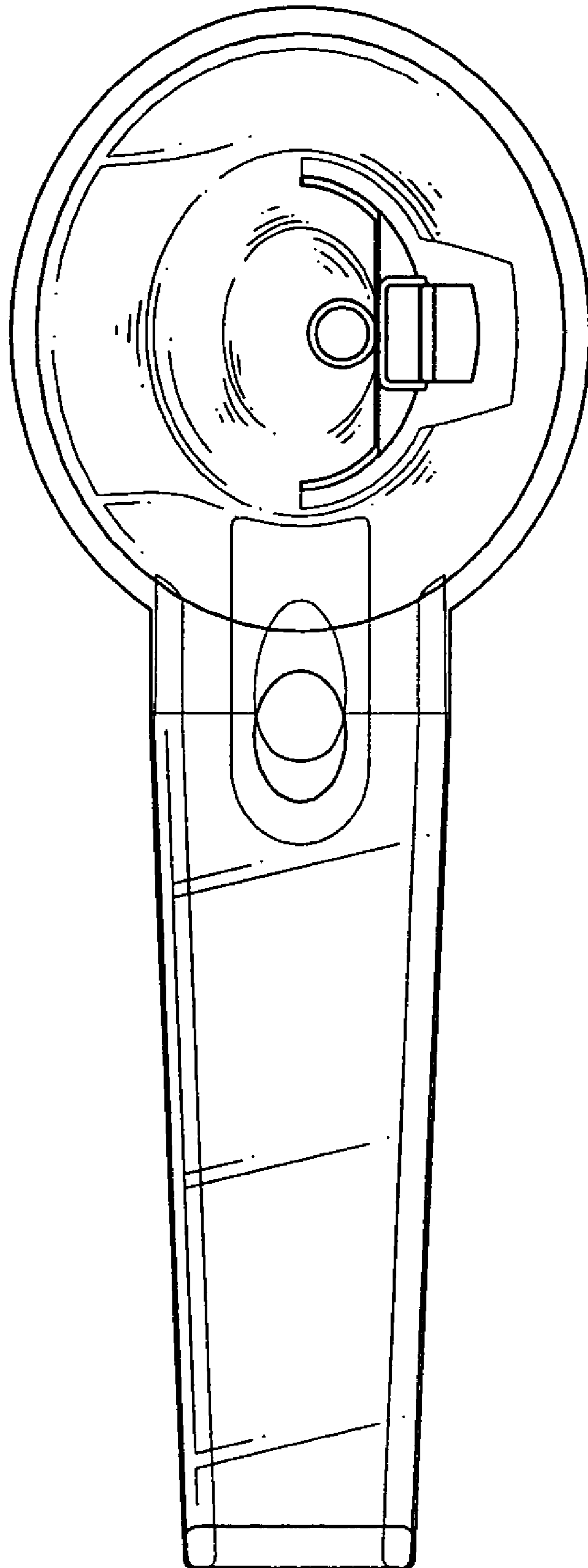


FIG. 2

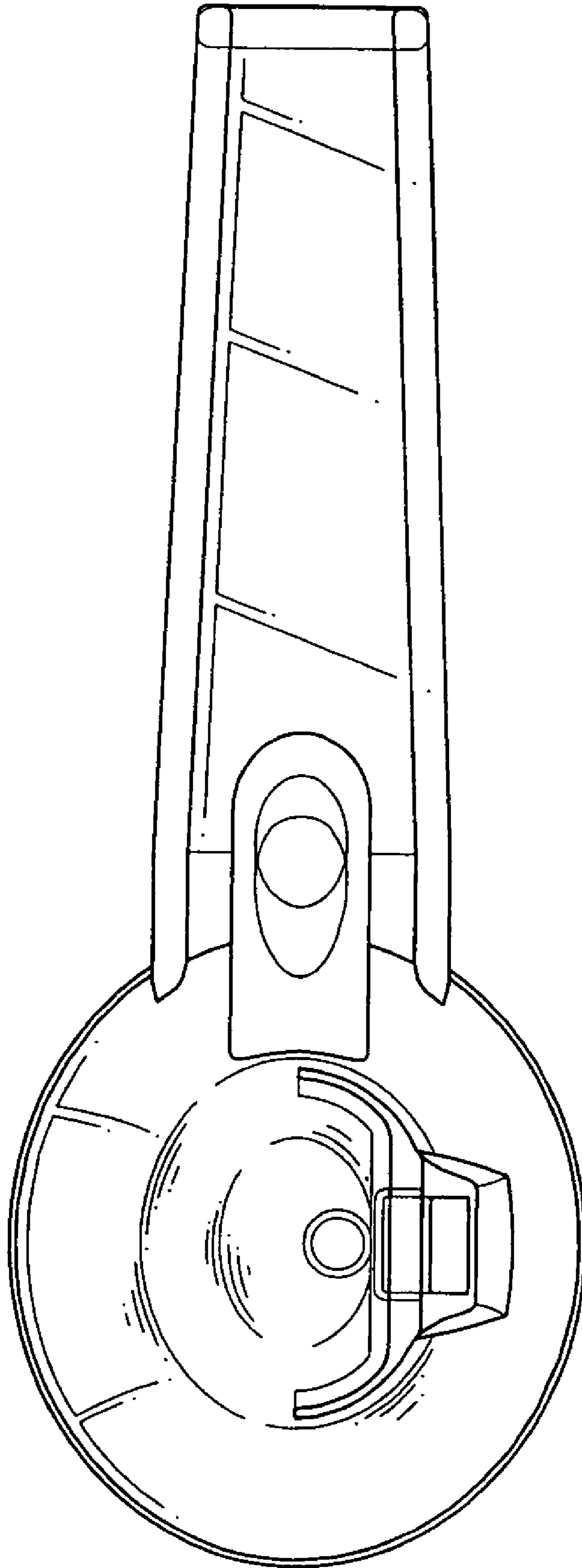


FIG. 3

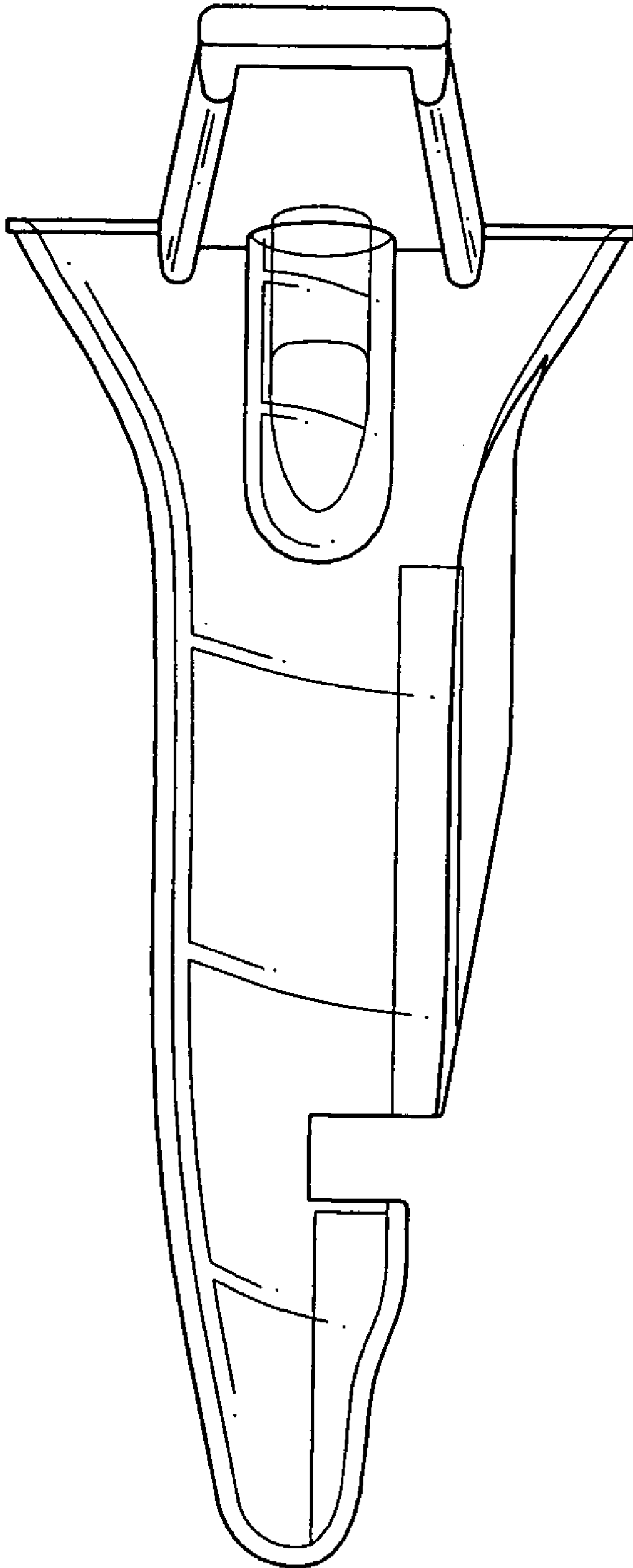


FIG. 4

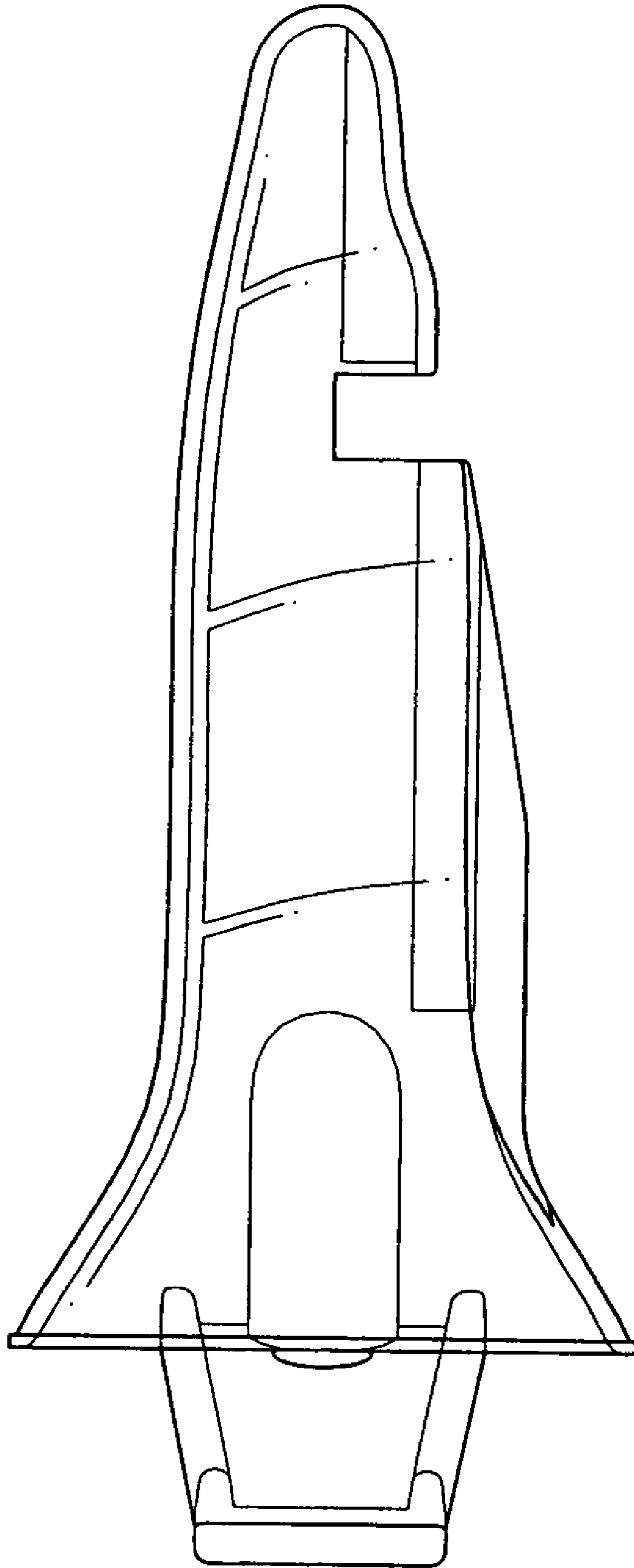


FIG. 5

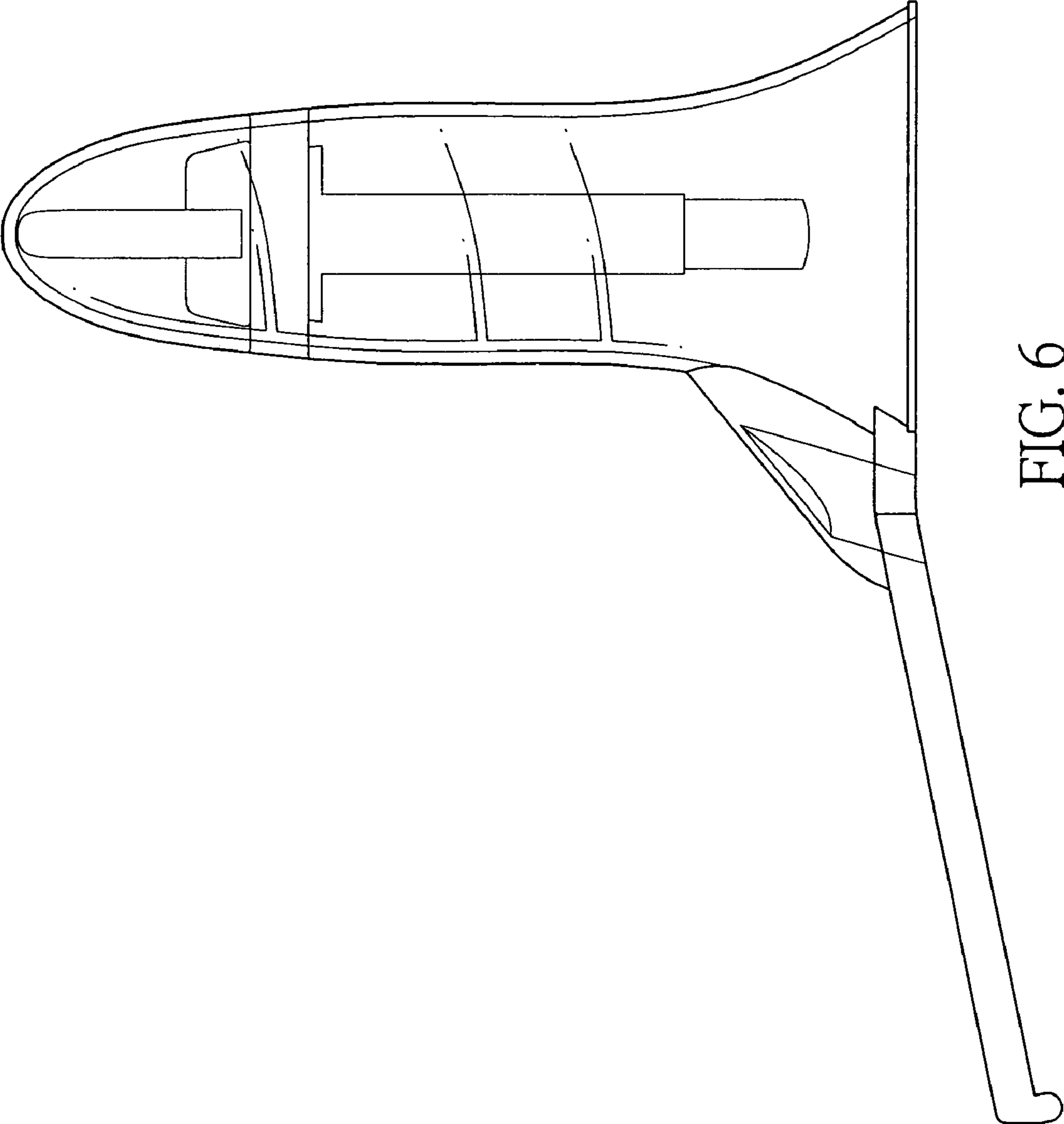


FIG. 6

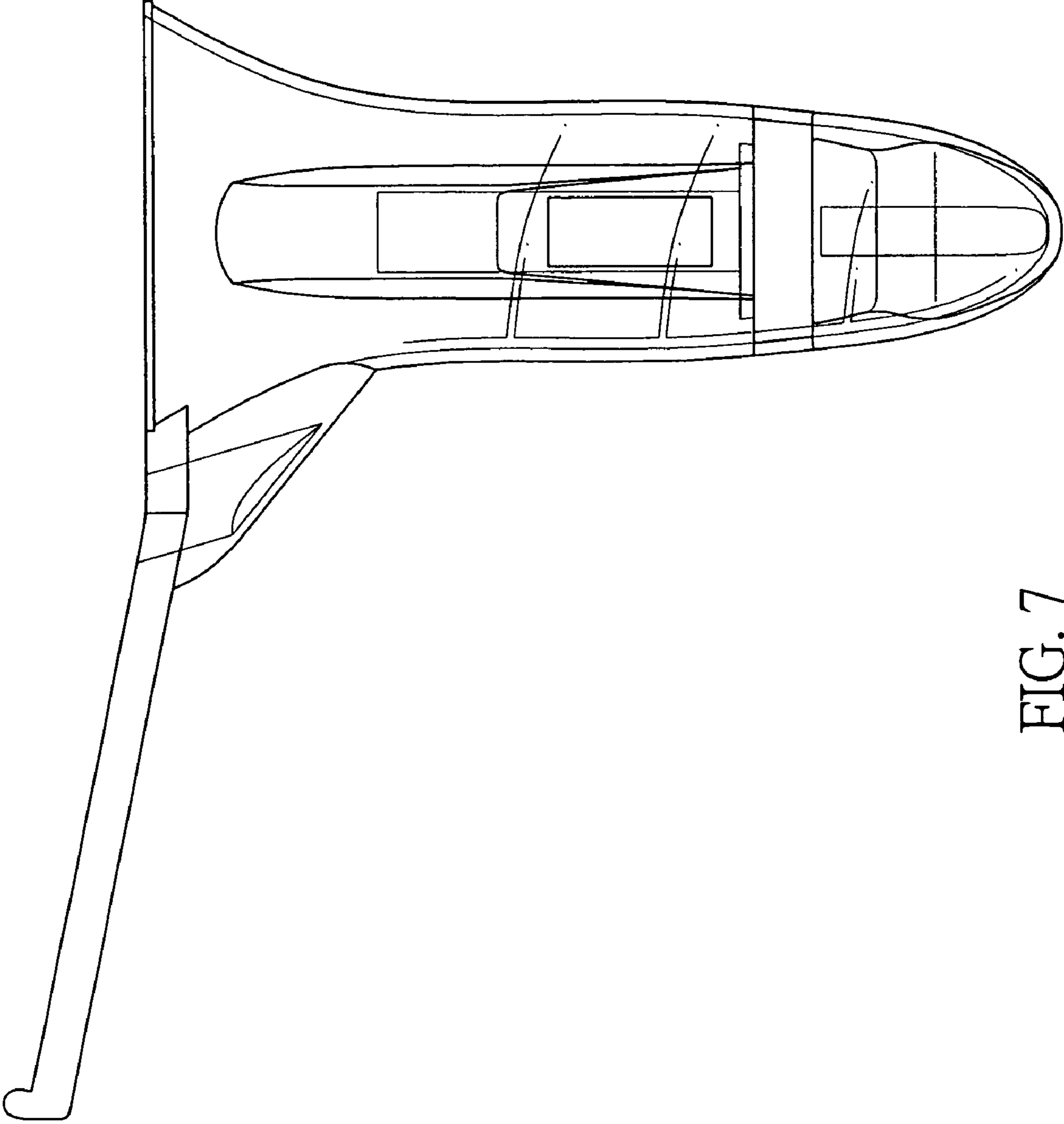


FIG. 7