

US00D564655S

(12) **United States Design Patent**
Koizumi et al.

(10) **Patent No.:** **US D564,655 S**
(45) **Date of Patent:** **** Mar. 18, 2008**

(54) **AUTOMATIC URINE ACCUMULATOR**

(75) Inventors: **Hiroshi Koizumi**, Tokyo (JP); **Ryosuke Miyagawa**, Kasukabe (JP); **Yoshikazu Ishitsuka**, Omitama (JP); **Tetsuya Tanaka**, Tokyo (JP); **Shigeharu Sayama**, Fukuchi (JP)

(73) Assignee: **Hitachi, Ltd.**, Tokyo (JP)

(**) Term: **14 Years**

(21) Appl. No.: **29/261,308**

(22) Filed: **Jun. 13, 2006**

(30) **Foreign Application Priority Data**

Mar. 16, 2006 (JP) 2006-006605

(51) **LOC (8) Cl.** **24-01**

(52) **U.S. Cl.** **D24/108**

(58) **Field of Classification Search** D24/108,
D24/111, 118, 121, 122; D7/309; 604/317,
604/329; 600/574; 4/144.3

See application file for complete search history.

(56) **References Cited**

U.S. PATENT DOCUMENTS

D213,479 S * 3/1969 Williams D24/118
D281,278 S * 11/1985 Blankenship et al. D24/186
D285,276 S * 8/1986 Daher D7/309
D344,427 S * 2/1994 Bannigan D7/309
5,342,330 A * 8/1994 Kane et al. 604/329

5,637,103 A * 6/1997 Kerwin et al. 604/317
D416,999 S * 11/1999 Miyamoto D24/111
D488,558 S * 4/2004 Hall D24/108
6,732,384 B2 * 5/2004 Scott 4/144.3
D505,292 S * 5/2005 Spencer D7/309
D513,638 S * 1/2006 Pan D24/111
D536,782 S * 2/2007 Koizumi et al. D24/108
D545,425 S * 6/2007 Chang Chien D24/108

* cited by examiner

Primary Examiner—Adir Aronovich

Assistant Examiner—Carissa C Fitts

(74) *Attorney, Agent, or Firm*—Antonelli, Terry, Stout & Kraus, LLP.

(57) **CLAIM**

We claim the ornamental design for a automatic urine accumulator, as shown.

DESCRIPTION

FIG. 1 is a front, top and right side perspective view of automatic urine accumulator showing our new design;

FIG. 2 is a front elevational view thereof;

FIG. 3 is a right side elevational view thereof;

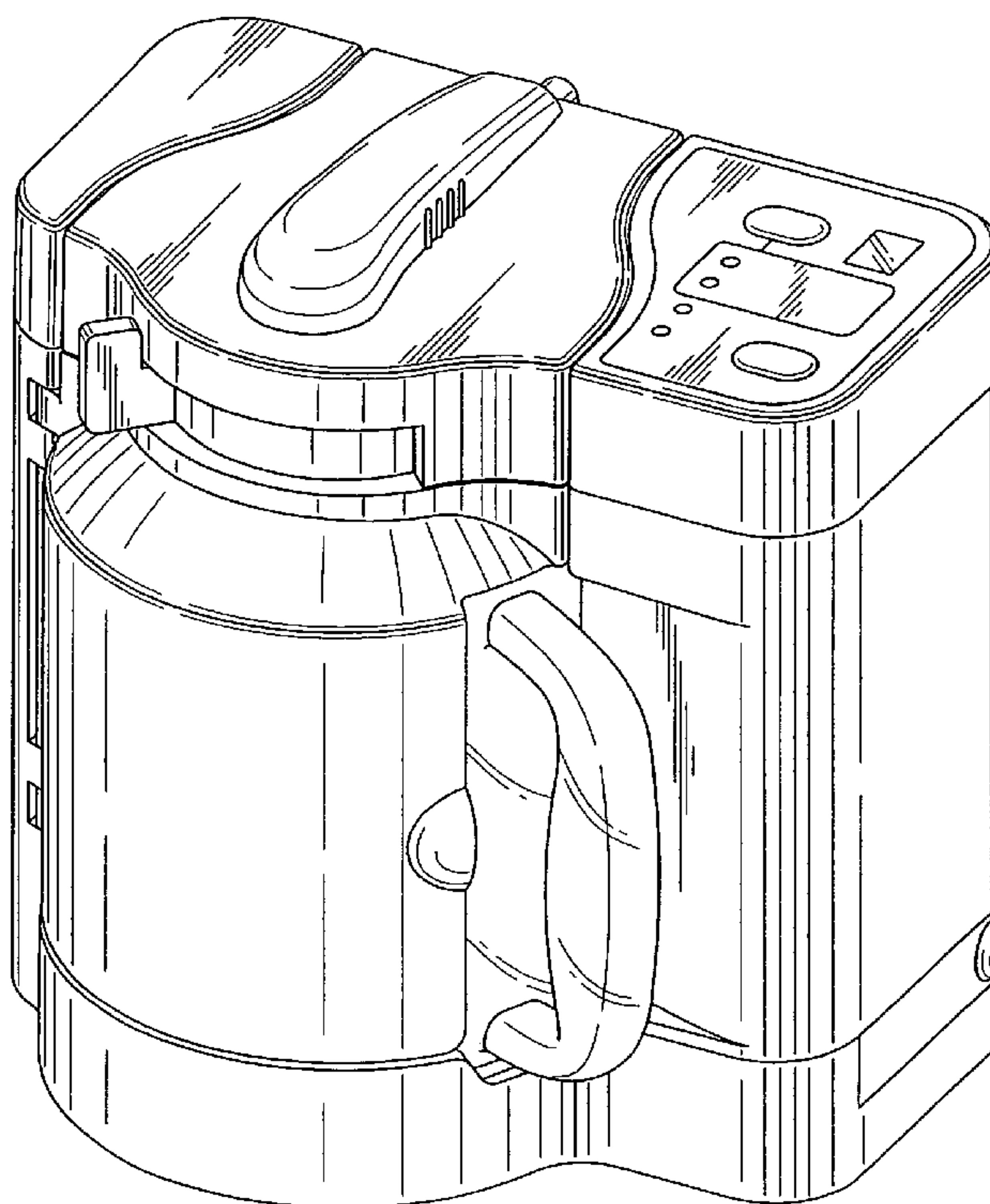
FIG. 4 is a left side elevational view thereof;

FIG. 5 is a top plan view thereof;

FIG. 6 is a bottom plan view thereof; and,

FIG. 7 is a rear elevational view thereof.

1 Claim, 7 Drawing Sheets



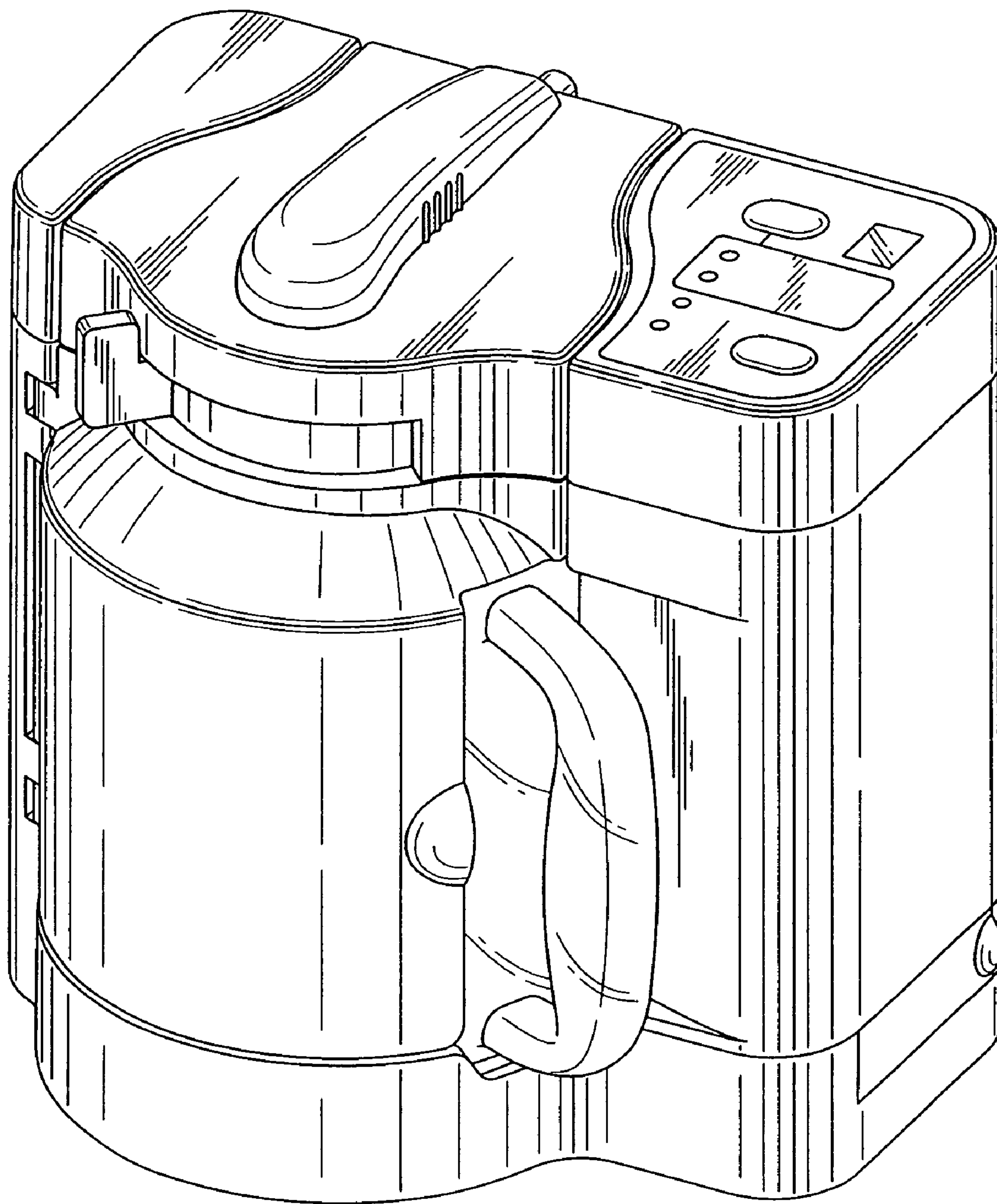


FIG. 1

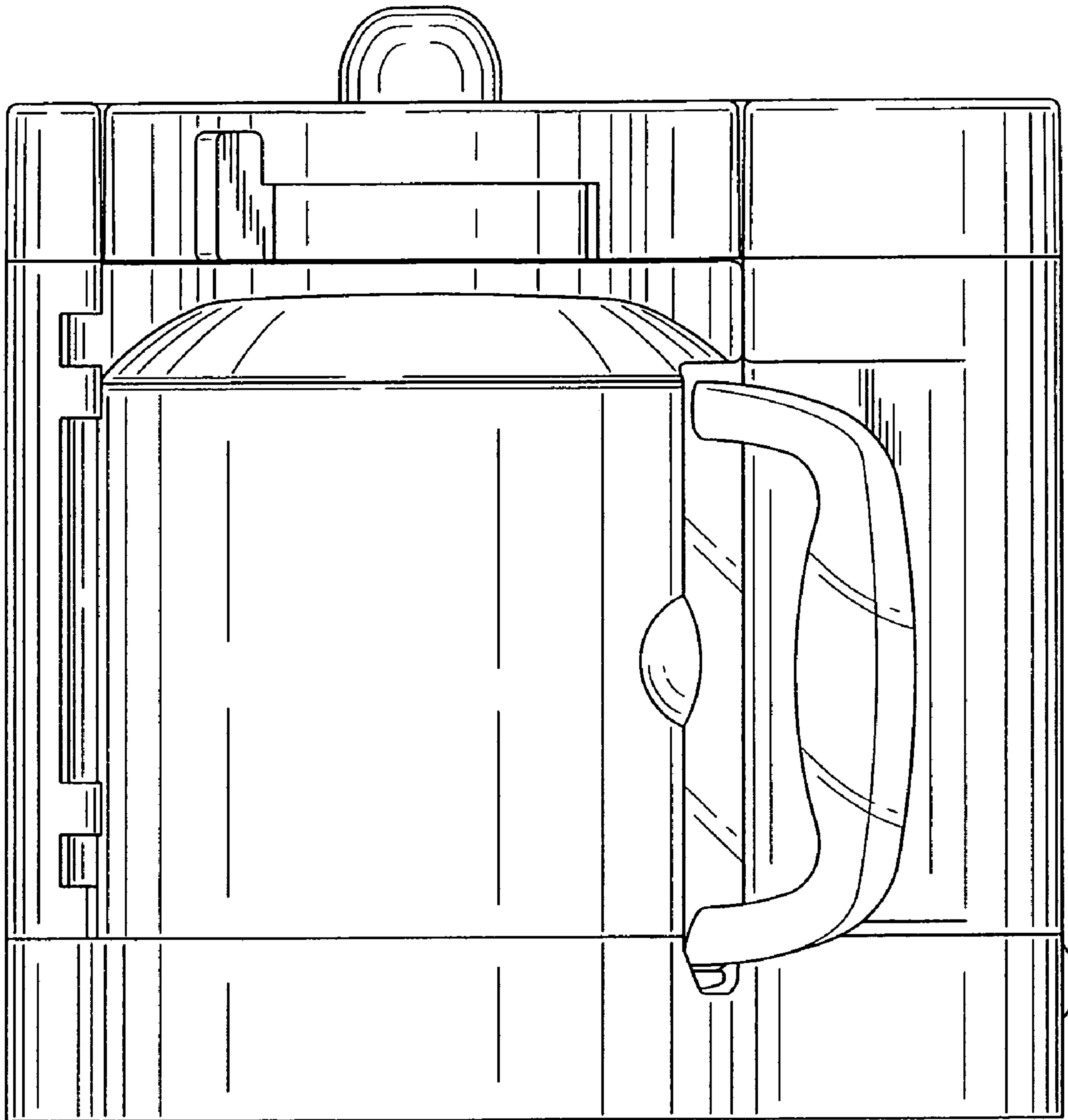


FIG. 2

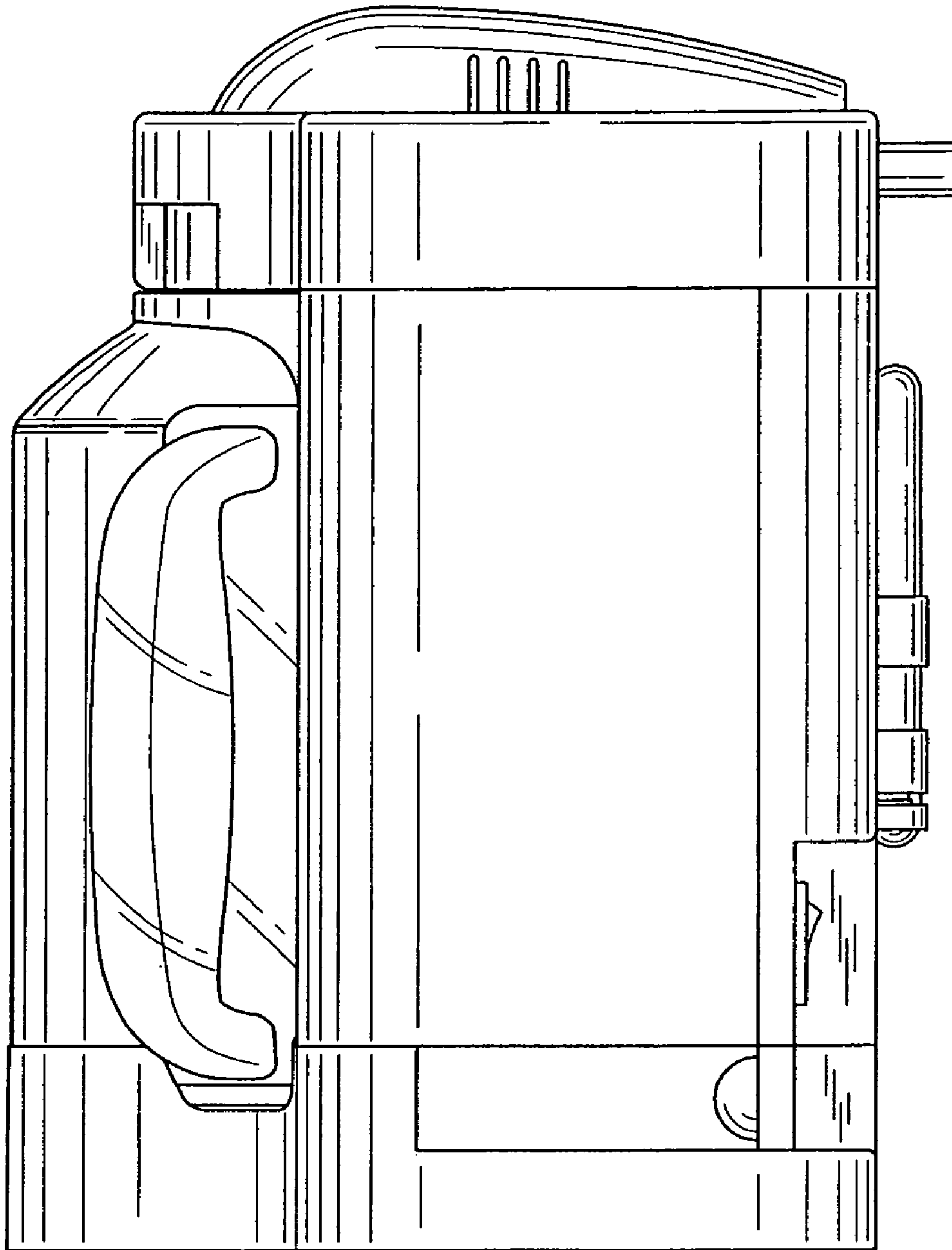


FIG. 3

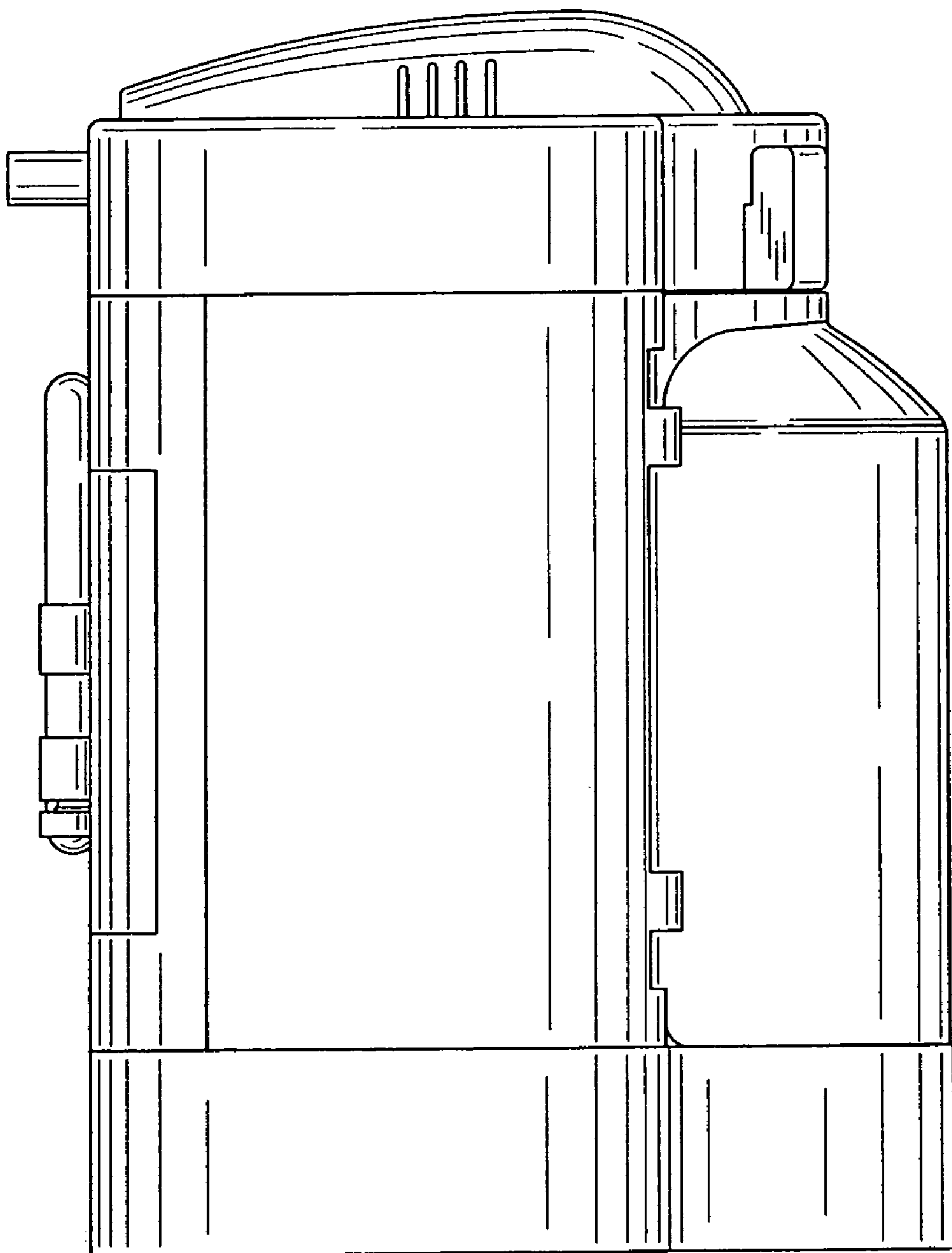


FIG. 4

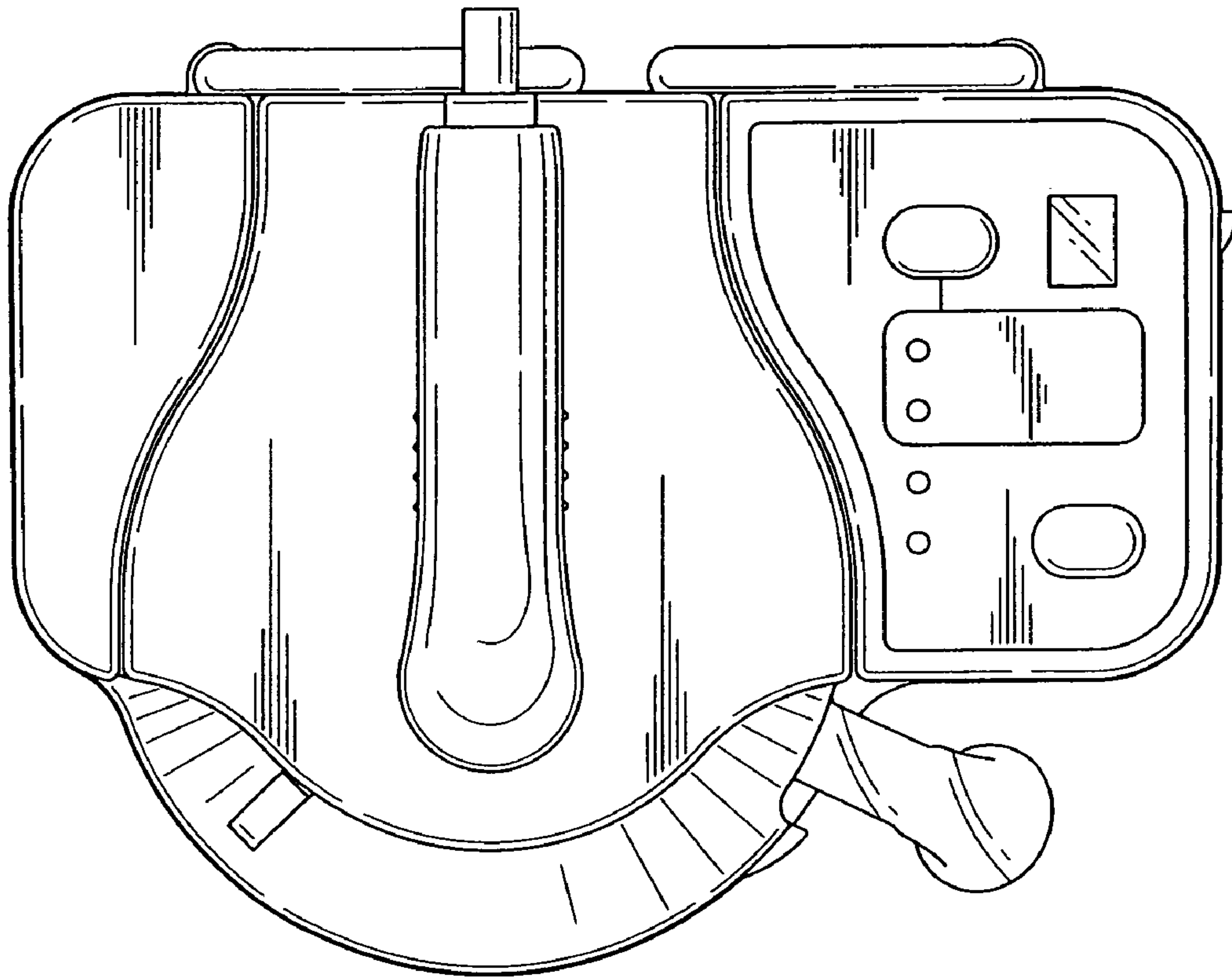


FIG. 5

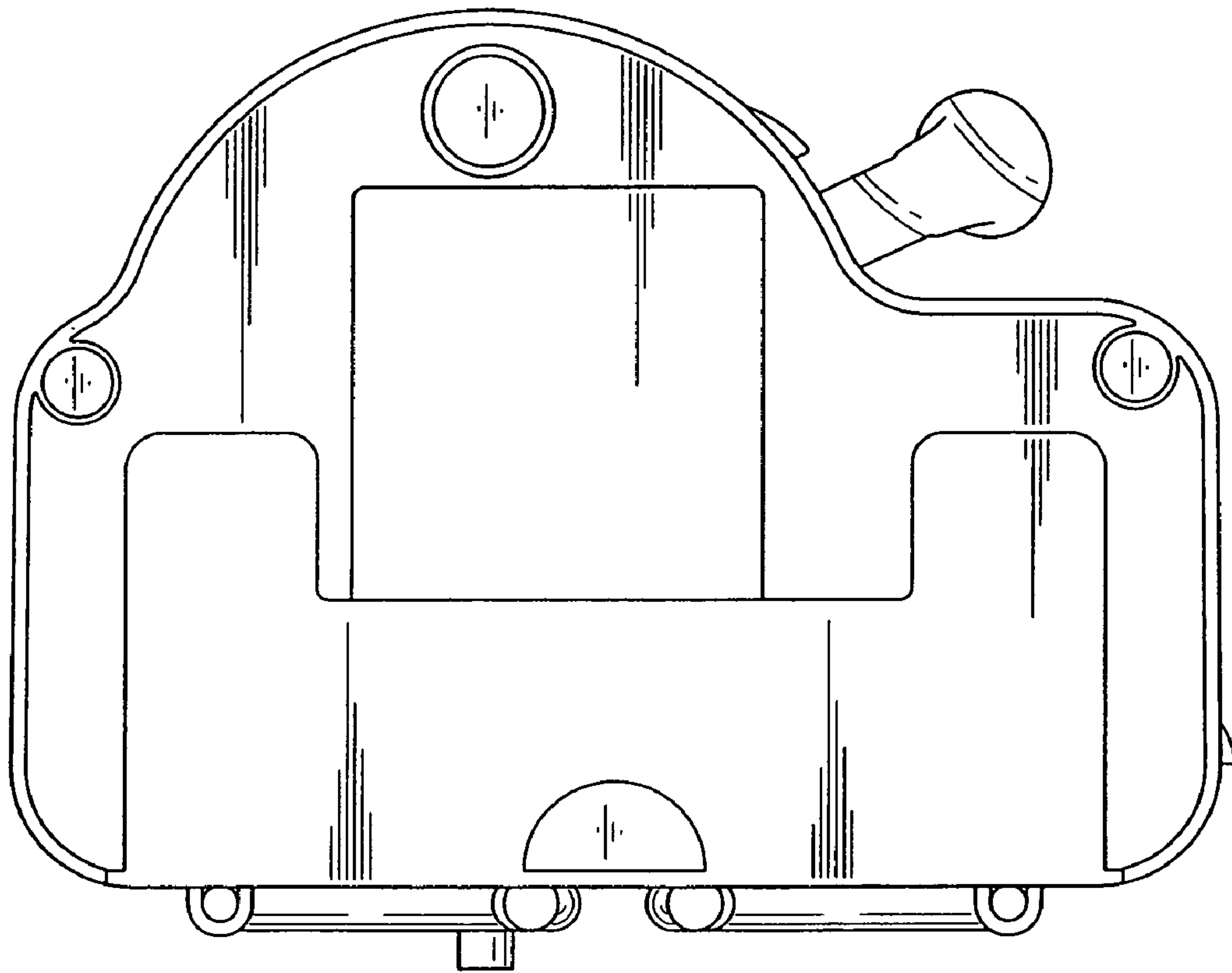


FIG. 6

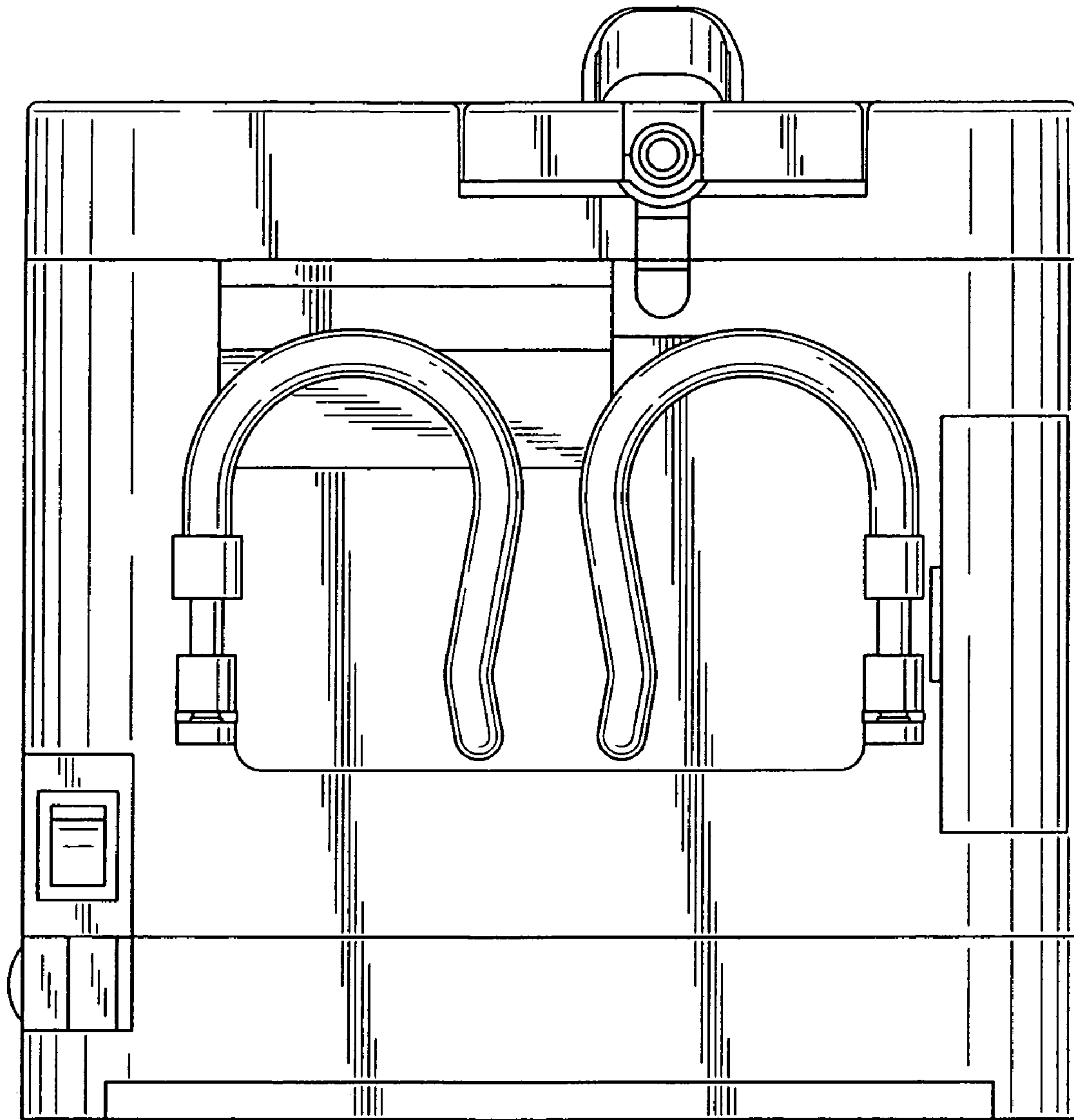


FIG. 7