



US00D564654S

(12) **United States Design Patent**
Say

(10) **Patent No.:** **US D564,654 S**
(45) **Date of Patent:** **** Mar. 18, 2008**

(54) **ASPIRATOR CANISTER**

(75) Inventor: **Samuel L Say**, La Canada, CA (US)

(73) Assignee: **The Say Family**, La Canada, CA (US),
Trust dated December 7, 1995

(**) Term: **14 Years**

(21) Appl. No.: **29/220,704**

(22) Filed: **Jan. 5, 2005**

Related U.S. Application Data

(63) Continuation-in-part of application No. 10/376,496,
filed on Feb. 28, 2003, now Pat. No. 7,063,688.

(51) **LOC (8) Cl.** **24-01**

(52) **U.S. Cl.** **D24/108**

(58) **Field of Classification Search** D24/108,
D24/111, 115, 112, 110, 117; D15/9, 7; 128/200.24;
604/319, 118, 131, 35

See application file for complete search history.

(56) **References Cited**

U.S. PATENT DOCUMENTS

D282,285 S *	1/1986	Levy	D24/112
D302,728 S *	8/1989	Herbst et al.	D24/111
4,915,691 A *	4/1990	Jones et al.	604/319
5,024,653 A *	6/1991	Kohnke	604/35
5,195,961 A *	3/1993	Takahashi et al.	604/35
5,662,627 A *	9/1997	Say	604/319
D426,300 S *	6/2000	Conforti	D24/115

D437,929 S *	2/2001	Leonhard et al.	D24/108
2003/0004494 A1 *	1/2003	Caselnova	604/35
2003/0163101 A1 *	8/2003	Say	604/319

OTHER PUBLICATIONS

Dick, Thom, "SSCOR Introduces Compact New Suction", SSCOR, Inc. advertisement (reprinted from Emergency Medical Services Magazine, Oct. 2004), 2 pages.

* cited by examiner

Primary Examiner—Adir Aronovich

Assistant Examiner—Wan Laymon

(74) *Attorney, Agent, or Firm*—Christie, Parker & Hale, LLP

(57) **CLAIM**

The ornamental design for an aspirator canister, as shown and described.

DESCRIPTION

FIG. 1 is a side elevation view of the canister; both sides are identical;

FIG. 2 is a front elevation view of the canister;

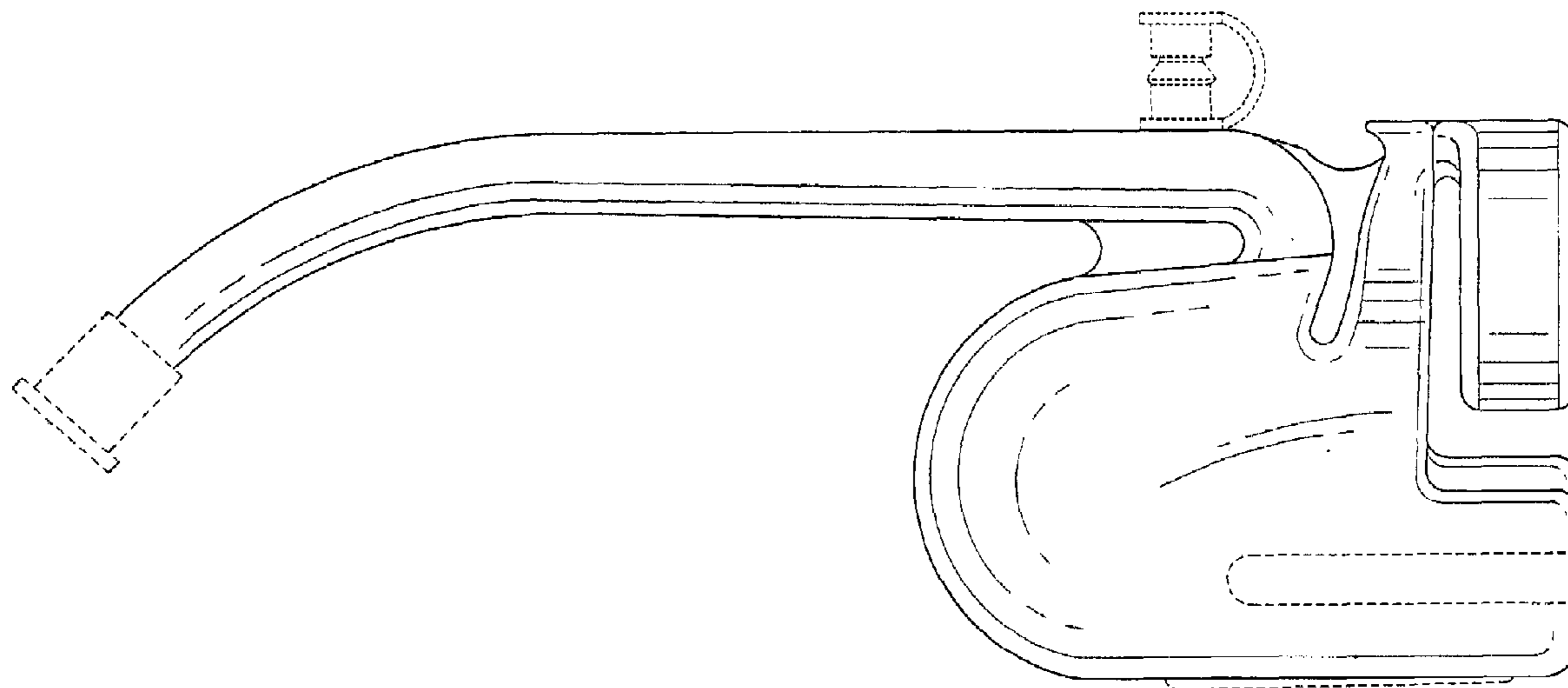
FIG. 3 is a rear elevation view of the canister;

FIG. 4 is a top elevation view of the canister; and,

FIG. 5 is a bottom elevation view of the canister.

The broken lines represent features that are not part of the claimed design.

1 Claim, 4 Drawing Sheets



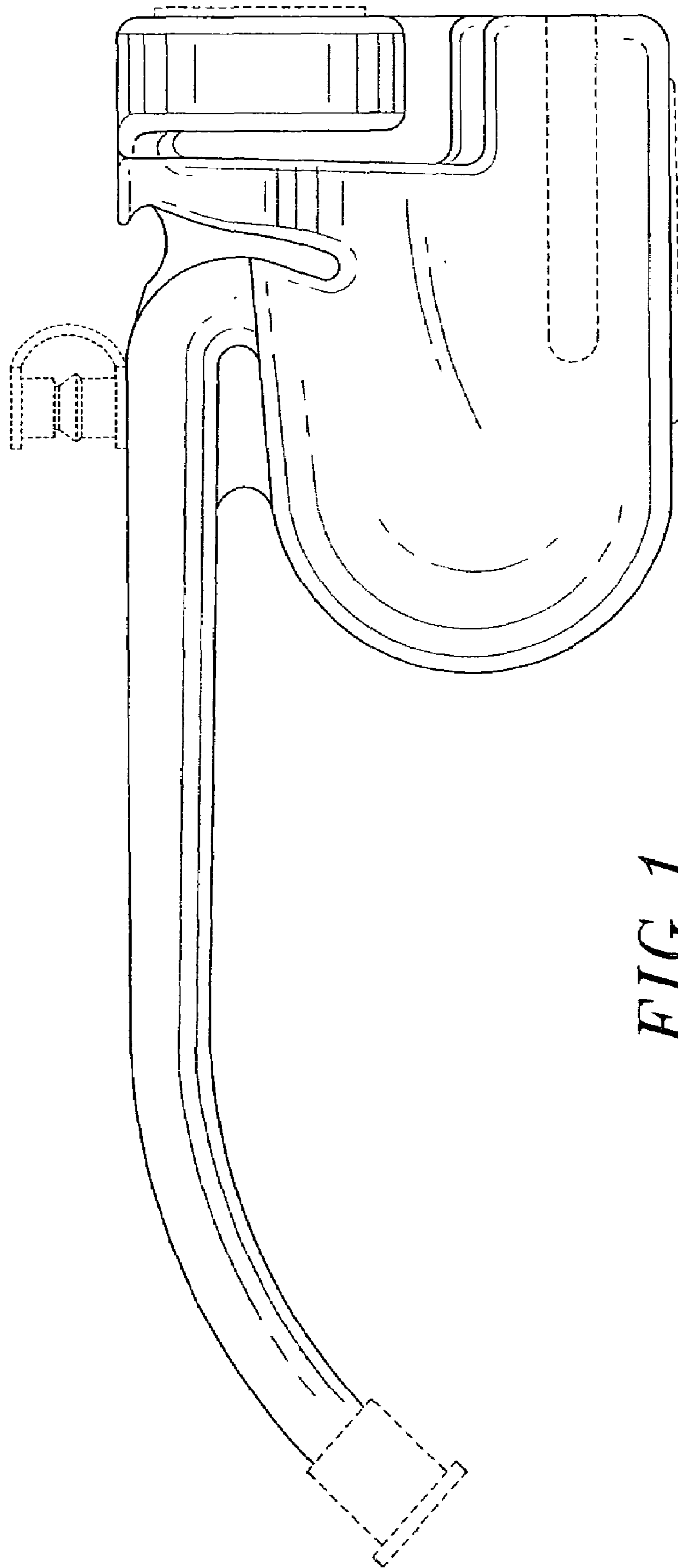


FIG. 1

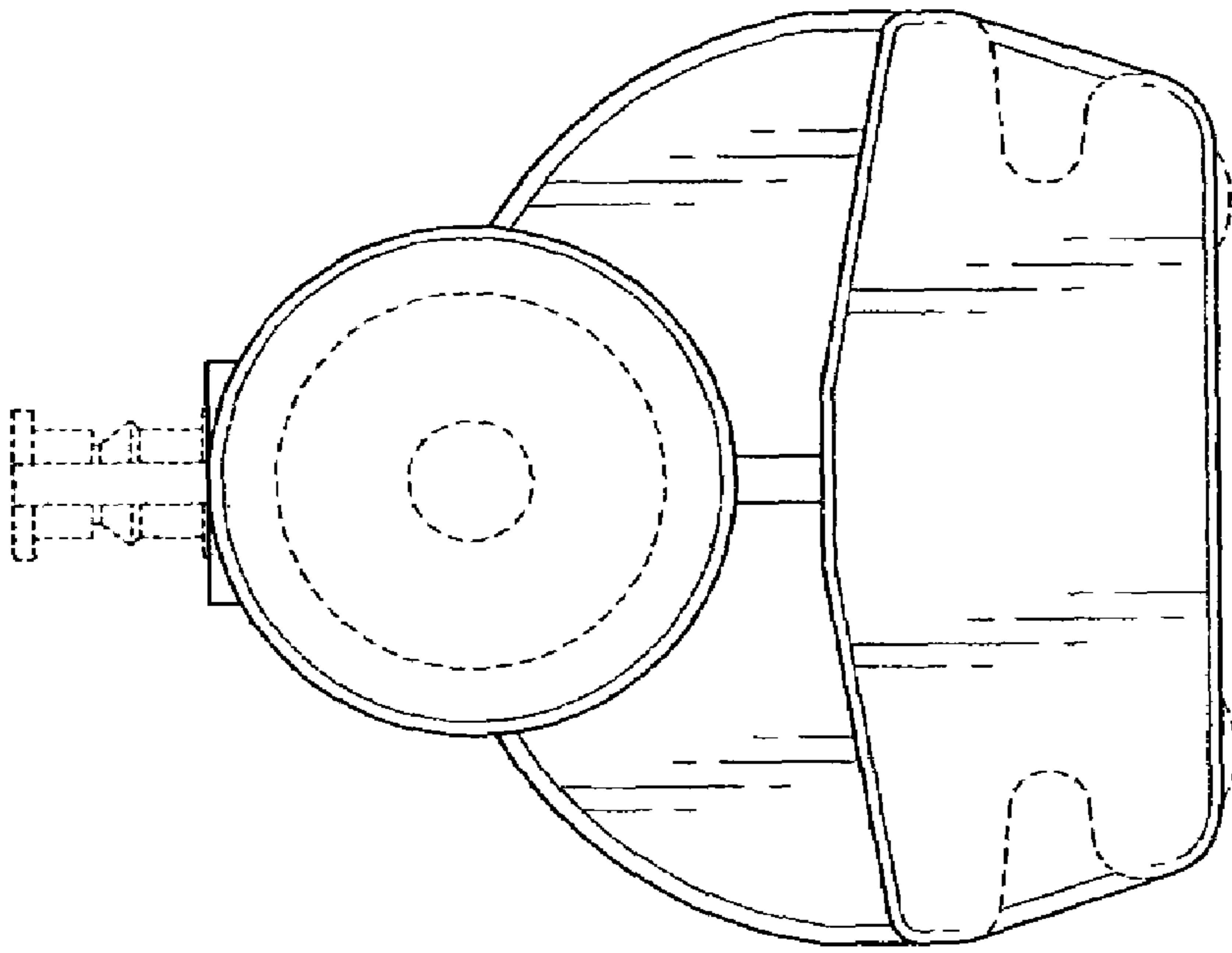


FIG. 3

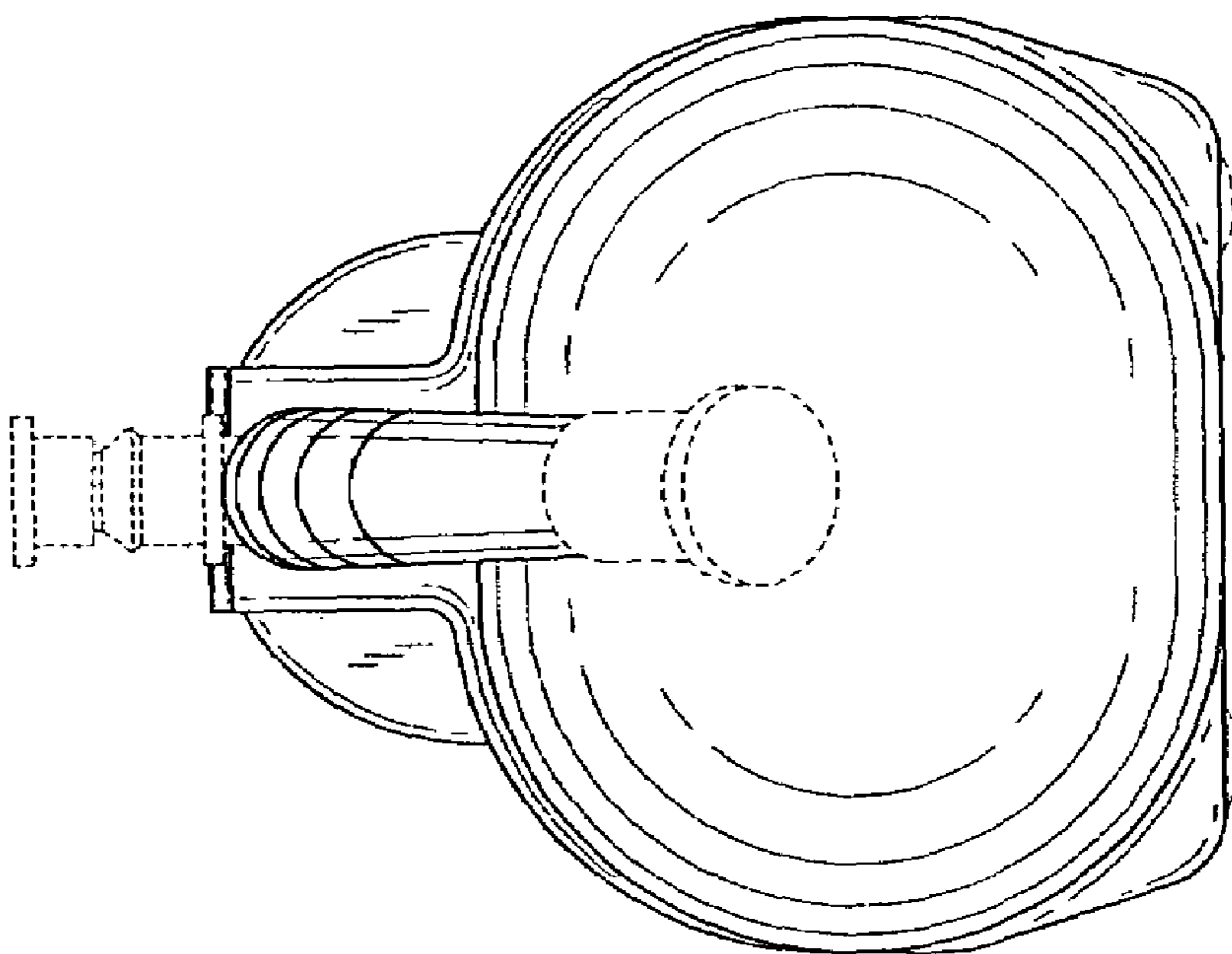


FIG. 2

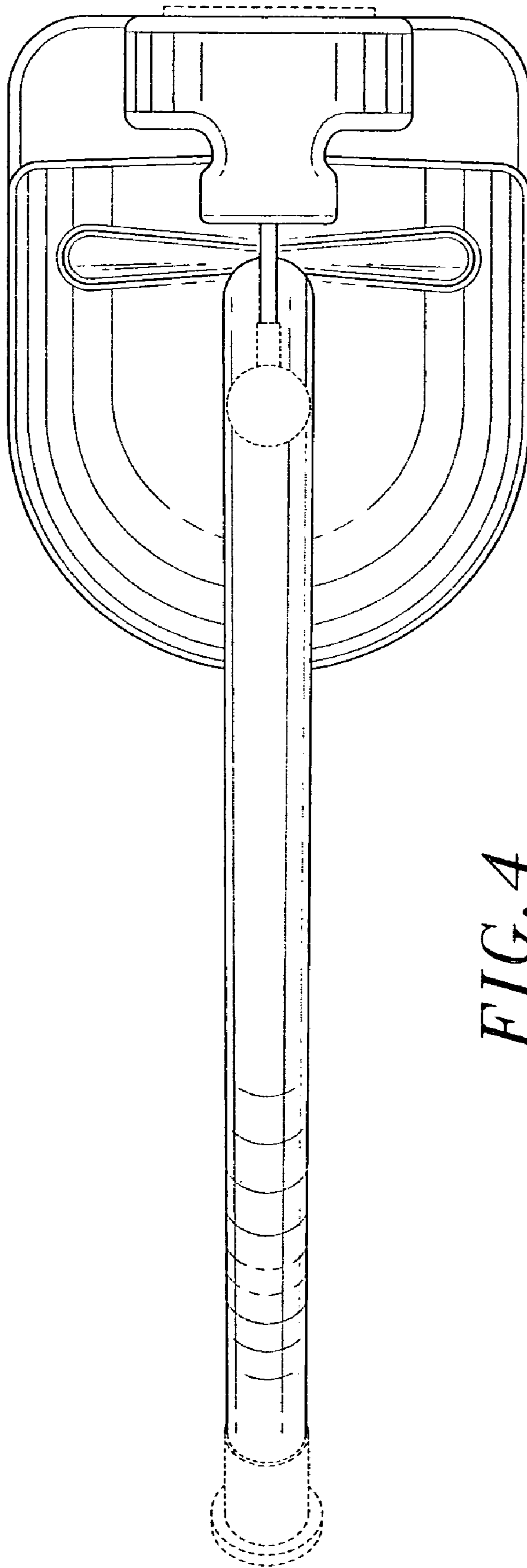


FIG. 4

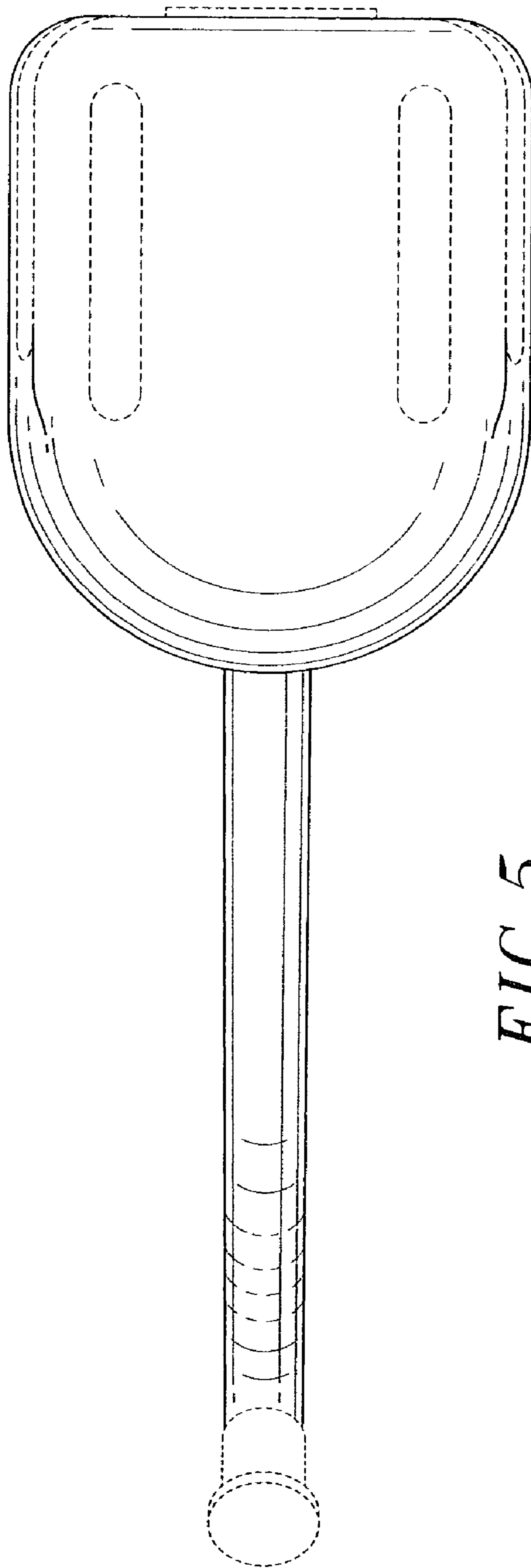


FIG. 5