

US00D564651S

(12) **United States Design Patent**
Pan

(10) **Patent No.:** **US D564,651 S**
(45) **Date of Patent:** **** Mar. 18, 2008**

(54) **CEILING FAN MOTOR HOUSING**

(75) Inventor: **Peter Pan**, Shetzu (TW)

(73) Assignee: **Air Cool Industrial Co., Ltd.**,
Taichung (TW)

(**) Term: **14 Years**

(21) Appl. No.: **29/291,322**

(22) Filed: **Aug. 22, 2007**

(51) **LOC (8) Cl.** **23-04**

(52) **U.S. Cl.** **D23/411**

(58) **Field of Classification Search** D23/377,
D23/379, 385, 411, 413; 416/5

See application file for complete search history.

(56) **References Cited**

U.S. PATENT DOCUMENTS

5,508,484 A	4/1996	Chen	
D396,530 S	7/1998	Tai	
D402,362 S	* 12/1998	Pickett D23/377
D404,808 S	1/1999	Tai	
D404,809 S	1/1999	Tai	
D405,878 S	2/1999	Tai	
D408,073 S	4/1999	Tai	
D408,074 S	4/1999	Tai	
D408,516 S	4/1999	Tai	
D409,297 S	5/1999	Tai	
6,059,531 A	5/2000	Tai	
6,135,618 A	10/2000	Tai	
D435,643 S	* 12/2000	Williams D23/377
6,259,025 B1	7/2001	Tai	
6,379,116 B1	4/2002	Tai	
D457,947 S	5/2002	Tai	
6,392,146 B1	5/2002	Tai	
D458,675 S	6/2002	Tai	
D478,381 S	8/2003	Tai	
D483,463 S	12/2003	Tai	
D483,464 S	12/2003	Tai	
D483,465 S	12/2003	Tai	
D483,847 S	12/2003	Tai	
D483,848 S	12/2003	Tai	
D483,850 S	12/2003	Tai	

D484,588 S	12/2003	Tai
D484,849 S	1/2004	Kunos et al.
D484,969 S	1/2004	Tai
D485,344 S	1/2004	Tai
D485,609 S	1/2004	Tai
D485,611 S	1/2004	Tai
D485,897 S	1/2004	Tai
D490,888 S	6/2004	Tai
D494,705 S	8/2004	Tai
D501,578 S	2/2005	Tai
D503,472 S	3/2005	Tai
D503,473 S	3/2005	Tai
D503,474 S	3/2005	Tai
D503,475 S	3/2005	Tai
D503,476 S	3/2005	Tai

(Continued)

Primary Examiner—Lisa Lichtenstein

(74) *Attorney, Agent, or Firm*—Morrison & Foerster LLP

(57) **CLAIM**

The ornamental design for a ceiling fan motor housing, as shown and described.

DESCRIPTION

FIG. 1 is a perspective view of a ceiling fan motor housing showing my new design in use;

FIG. 2 is an enlarged side view of a motor housing in accordance with the present invention;

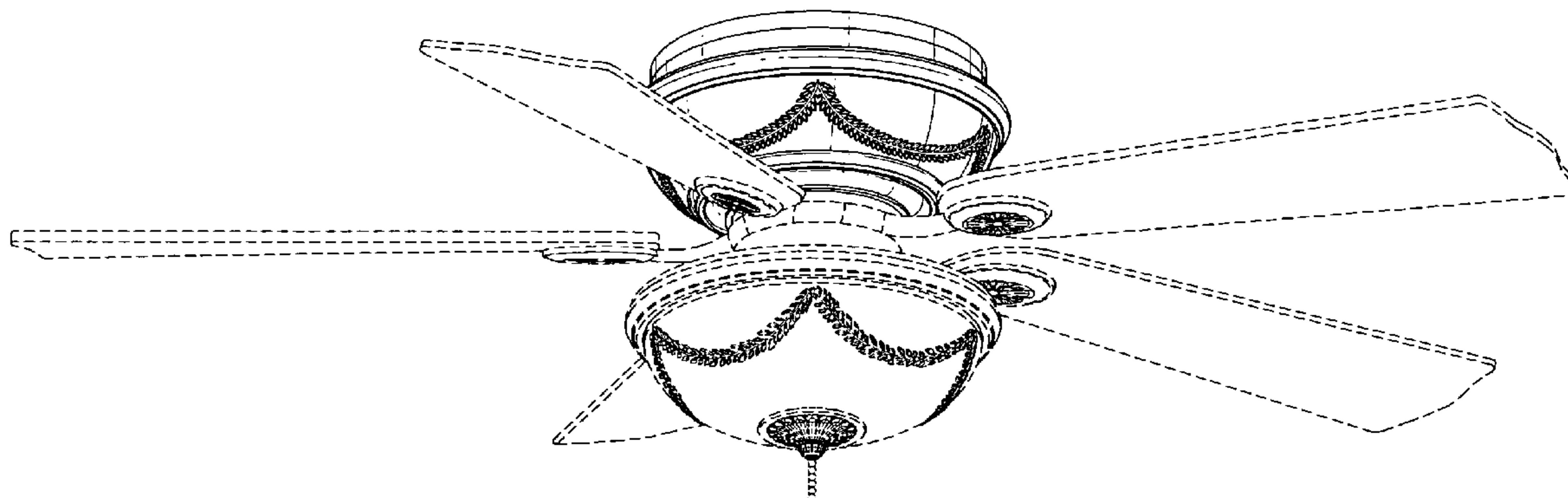
FIG. 3 is an enlarged perspective view of the motor housing in accordance with the present invention;

FIG. 4 is another enlarged perspective view of the motor housing in accordance with the present invention; and,

FIG. 5 is an enlarged bottom view of the motor housing in accordance with the present invention.

The broken line showing of the ceiling fan light fixture, the ceiling fan blade irons and the pull cord is included for the purpose of illustrating environmental structure and forms no part of the claimed design.

1 Claim, 5 Drawing Sheets



US D564,651 S

Page 2

U.S. PATENT DOCUMENTS

D503,795 S	4/2005	Tai	D539,896 S	4/2007	Pan	
D504,173 S	4/2005	Cohen	D540,460 S *	4/2007	Pickett	D23/411
D505,197 S	5/2005	Tai	D541,409 S	4/2007	Ertze	
D505,724 S	5/2005	Tai	D541,410 S	4/2007	Ertze	
D507,644 S	7/2005	Tai	D543,268 S	5/2007	Ertze	
D507,830 S	7/2005	Pan	D543,302 S	5/2007	Ertze	
D525,701 S *	7/2006	Glasbrenner	D545,422 S	6/2007	Glasbrenner et al.	
D526,714 S *	8/2006	Hidalgo	D546,439 S	7/2007	Glasbrenner et al.	
D530,811 S	10/2006	Ertze	D546,936 S	7/2007	Ertze	
D531,722 S	11/2006	Ertze	D547,435 S	7/2007	Lee	
D532,901 S	11/2006	Ertze	D547,857 S	7/2007	Lee	
D533,267 S	12/2006	Pan	D551,755 S *	9/2007	Shurtleff et al.	D23/411
D536,466 S	2/2007	Pan				

* cited by examiner

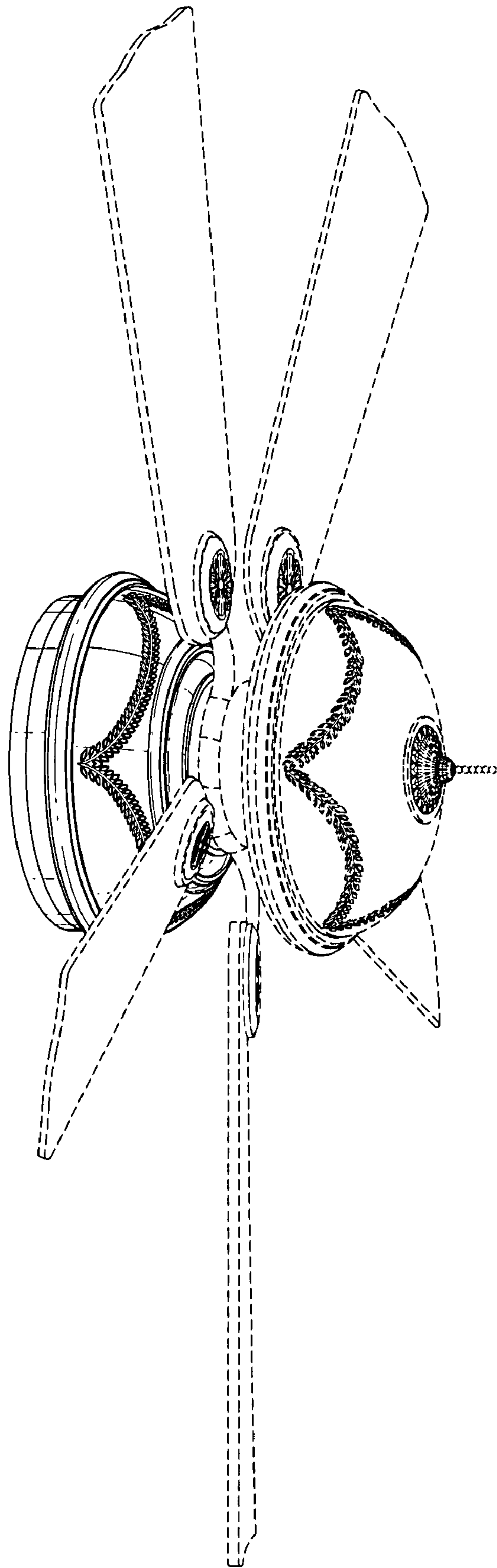


FIG. 1

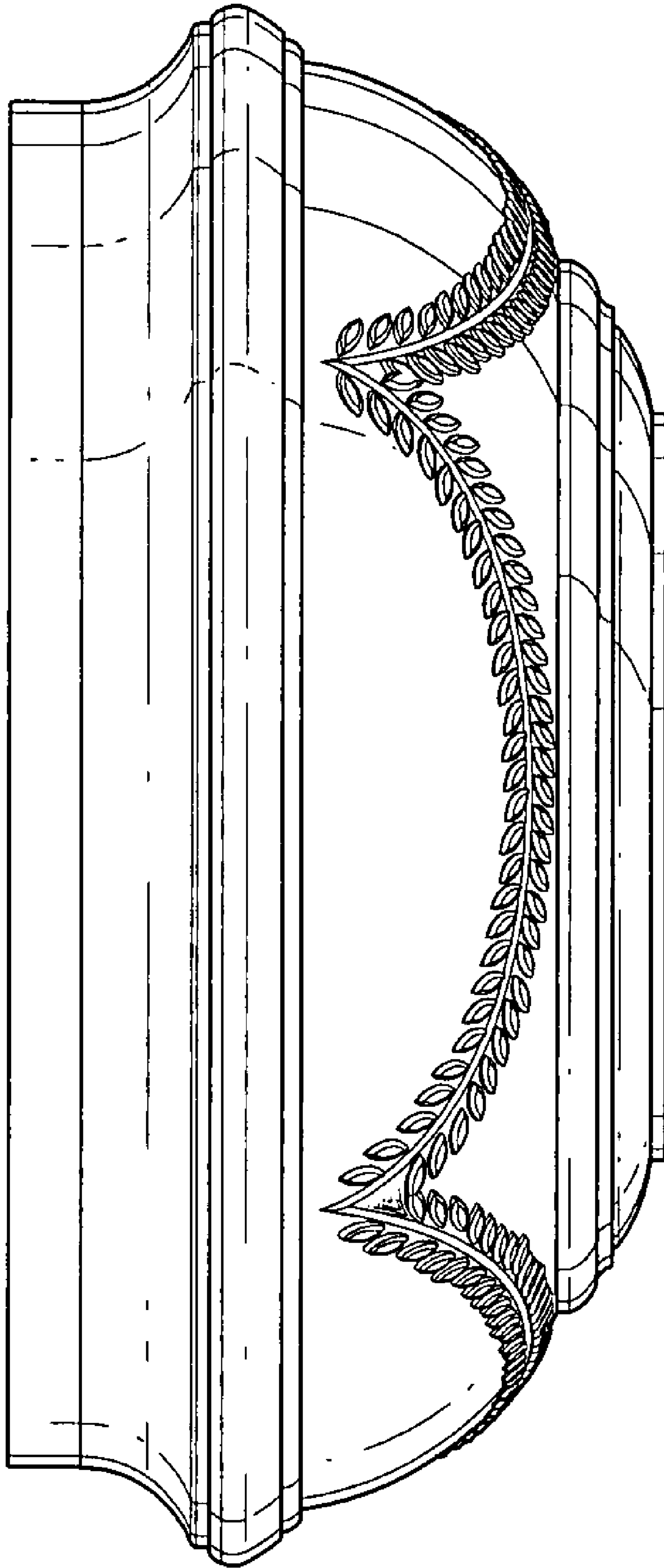


FIG. 2

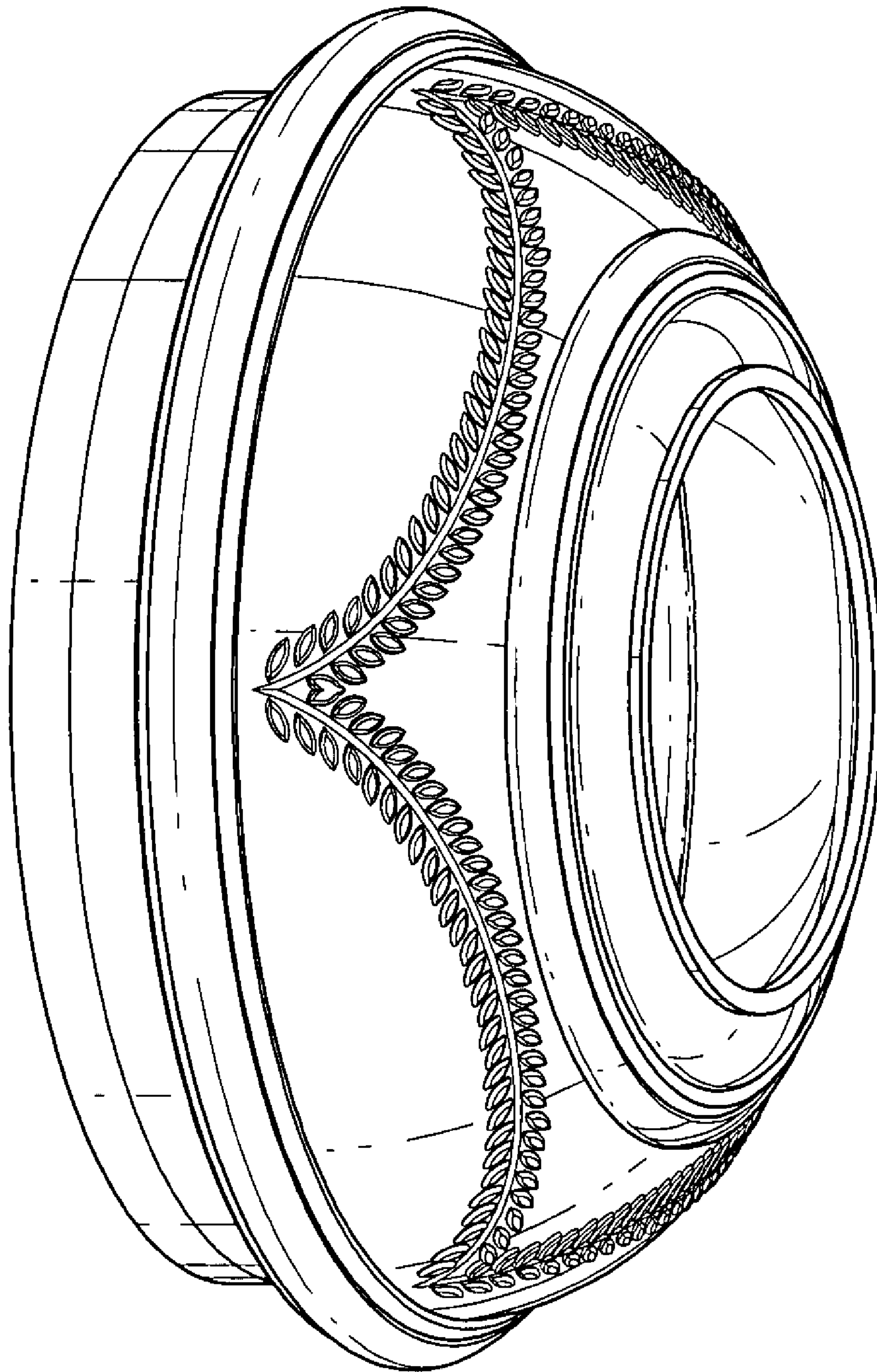


FIG. 3

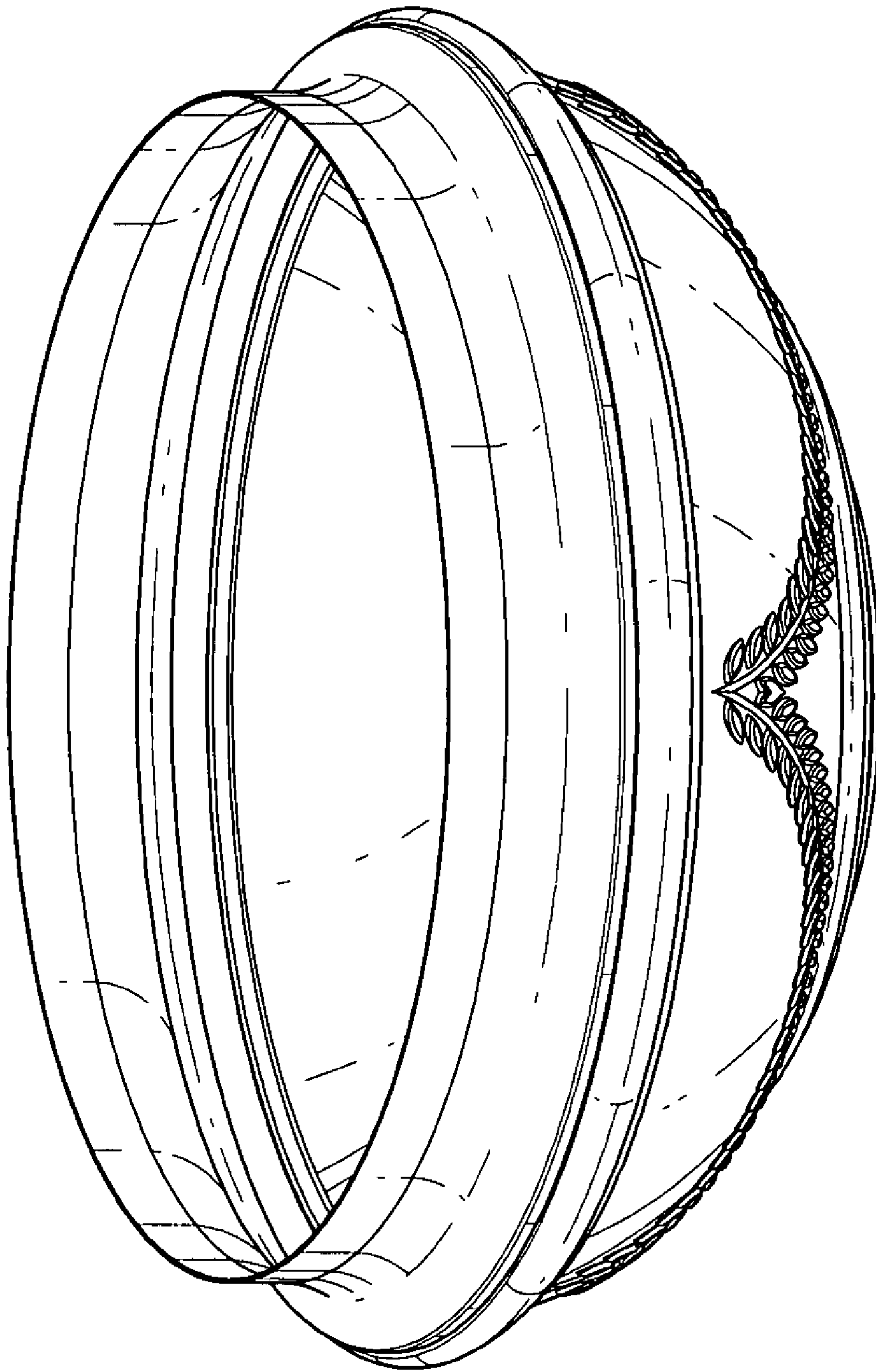


FIG. 4

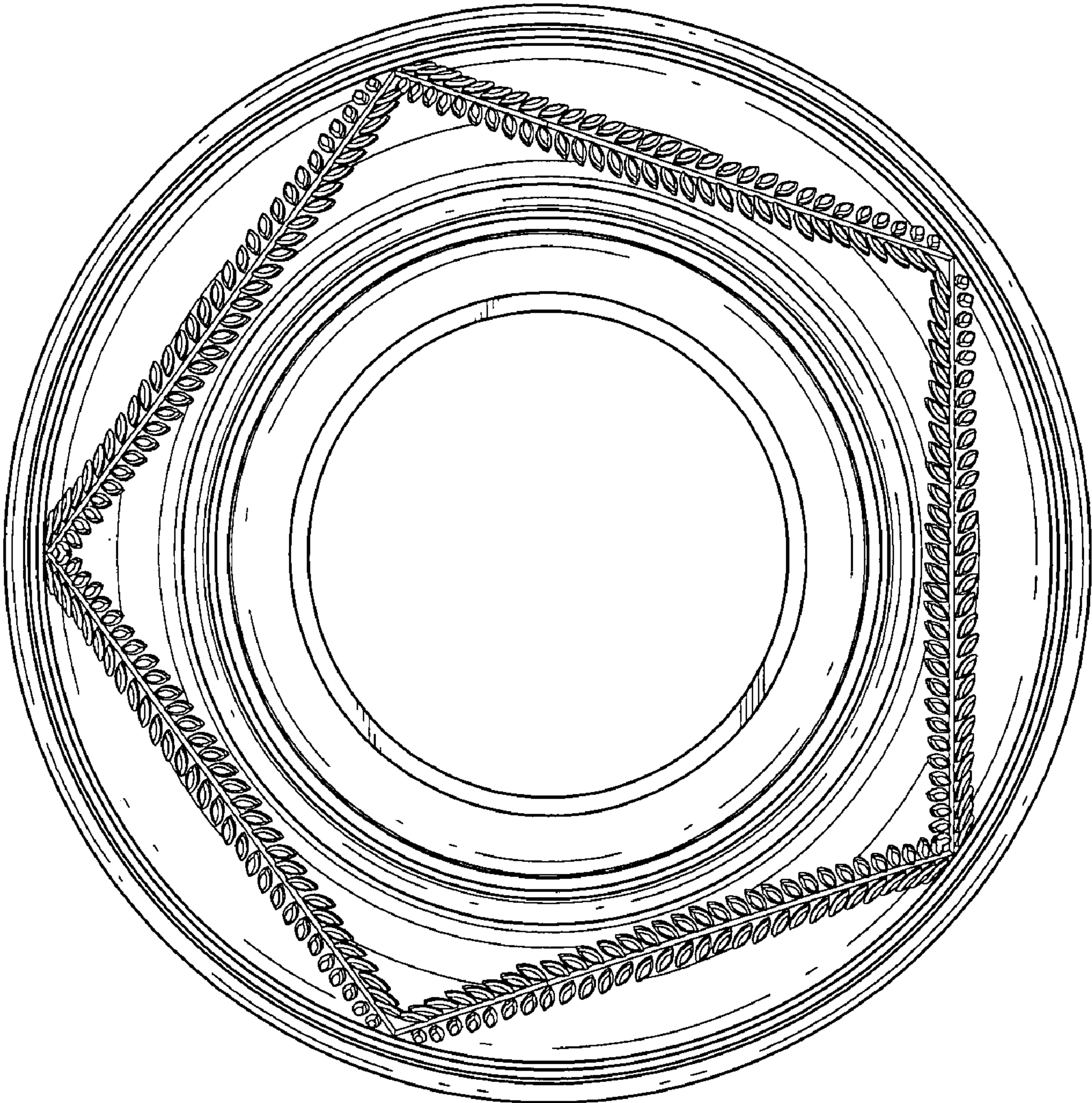


FIG. 5