

US00D564637S

(12) **United States Design Patent**  
**Brockington et al.**

(10) **Patent No.:** **US D564,637 S**  
(45) **Date of Patent:** **\*\* Mar. 18, 2008**

(54) **LOCKING AND SEALING 2 PIECE  
DISCHARGE ELBOW FOR 3" RV SEWER  
HOSE**

2003/0071460 A1\* 4/2003 Snyder et al. .... 285/340  
2004/0046386 A1\* 3/2004 Chien et al. .... 285/276  
2007/0007763 A1\* 1/2007 Deaton ..... 285/179

(75) Inventors: **William T. Brockington**, Kernersville,  
NC (US); **Anthony D. Moore**,  
Summerfield, NC (US); **Robert C.  
Mancari**, High Point, NC (US); **Clay  
D. Price**, Stokesdale, NC (US); **Jeffrey  
R. Russell**, Winston Salem, NC (US)

(73) Assignee: **Camco Manufacturing Inc.**,  
Greensboro, NC (US)

(\*\*) Term: **14 Years**

(21) Appl. No.: **29/273,240**

(22) Filed: **Mar. 1, 2007**

(51) **LOC (8) Cl.** ..... **23-01**

(52) **U.S. Cl.** ..... **D23/263**

(58) **Field of Classification Search** ..... 285/11-12,  
285/7, 177, 394-395, 307, 179, 179.1, 133.11,  
285/133.12, 423, 358, 903; D23/263; 138/177-179;  
403/350, 409.1; 292/58-59

See application file for complete search history.

(56) **References Cited**

**U.S. PATENT DOCUMENTS**

3,078,109	A	2/1963	Jackson et al.	
4,173,989	A	11/1979	Prest	
4,722,556	A	2/1988	Todd	
4,758,027	A	7/1988	Todd	
5,090,743	A *	2/1992	Obering	285/133.21
5,333,910	A *	8/1994	Bailey	285/12
5,388,865	A *	2/1995	Hawkins	285/89
5,417,460	A	5/1995	Lunder	
7,121,593	B2 *	10/2006	Snyder et al.	285/340
7,144,046	B1 *	12/2006	Lape et al.	285/180

**OTHER PUBLICATIONS**

Ref. No. 1, Universal Sewer Adapter (P/N F02-3103), Valterra Website (www.valterra.com), Feb. 16, 2007.

Ref. No. 2, Blueline Universal Elbow (P/N 1-0001), Prest-O-Fit Website (www.prestofit.com), Feb. 16, 2007.

Ref. No. 3, Easy Slip 4-in-1 Sewer Adapter with Elbow (P/N 39144), Camco website (www.camco.net), Feb. 16, 2007.

\* cited by examiner

*Primary Examiner*—Louis S. Zarfes

*Assistant Examiner*—Eric L Goodman

(57) **CLAIM**

The ornamental design for a locking and sealing 2 piece discharge elbow for 3" RV sewer hose, as shown and described.

**DESCRIPTION**

FIG. 1 is an exploded isometric view of a locking and sealing 2 piece discharge elbow for 3" RV sewer hose according to the invention;

FIG. 2 is a bottom, left front exploded perspective view according to the invention;

FIG. 3 is a left side elevational exploded view according to the invention;

FIG. 4 is a right side elevational view according to the invention;

FIG. 5 is a rear elevational view according to the invention;

FIG. 6 is a front elevational view according to the invention;

FIG. 7 is a top plan view according to the invention; and,

FIG. 8 is a bottom plan view according to the invention.

**1 Claim, 6 Drawing Sheets**

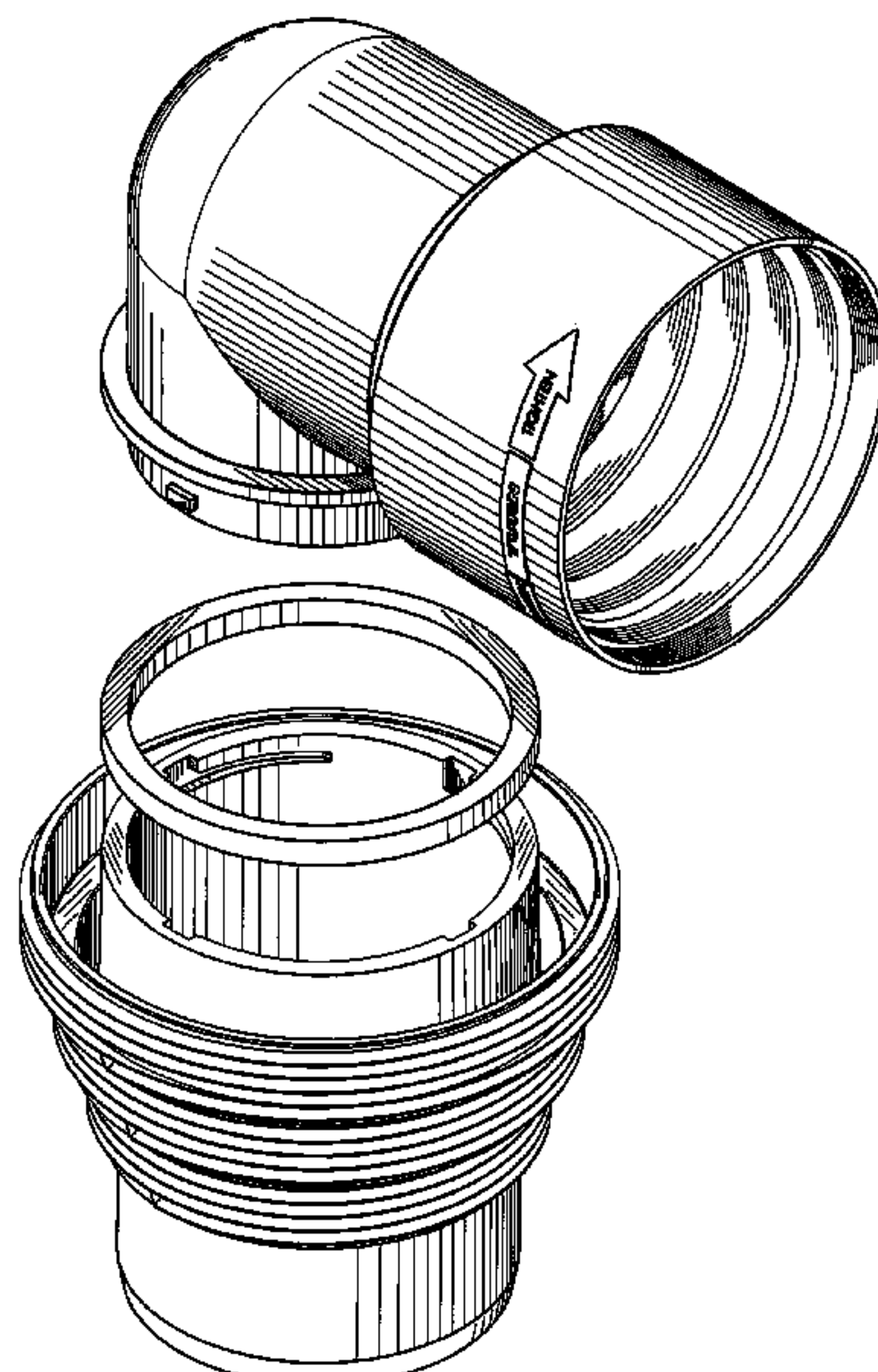


FIG. 1

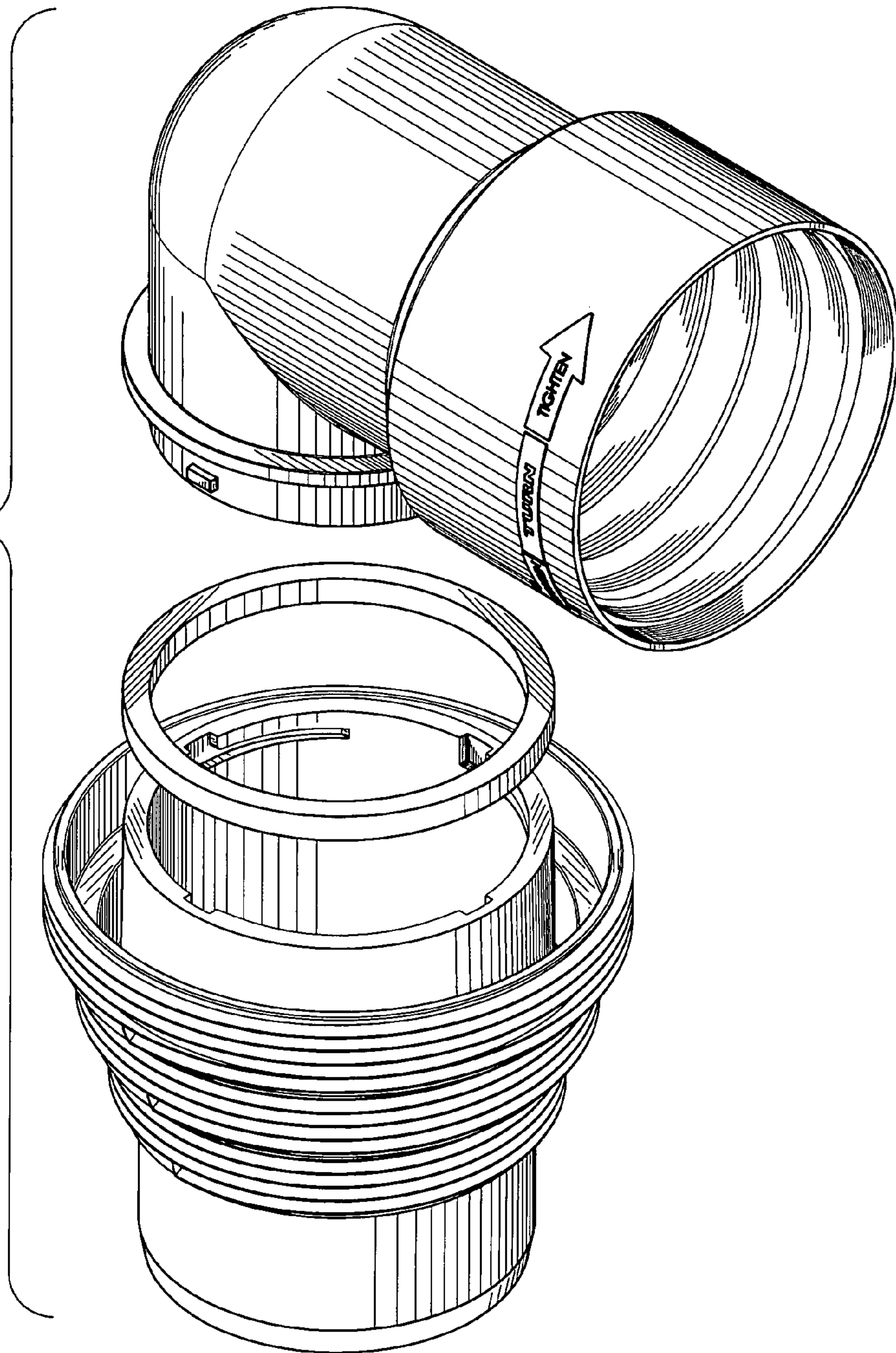
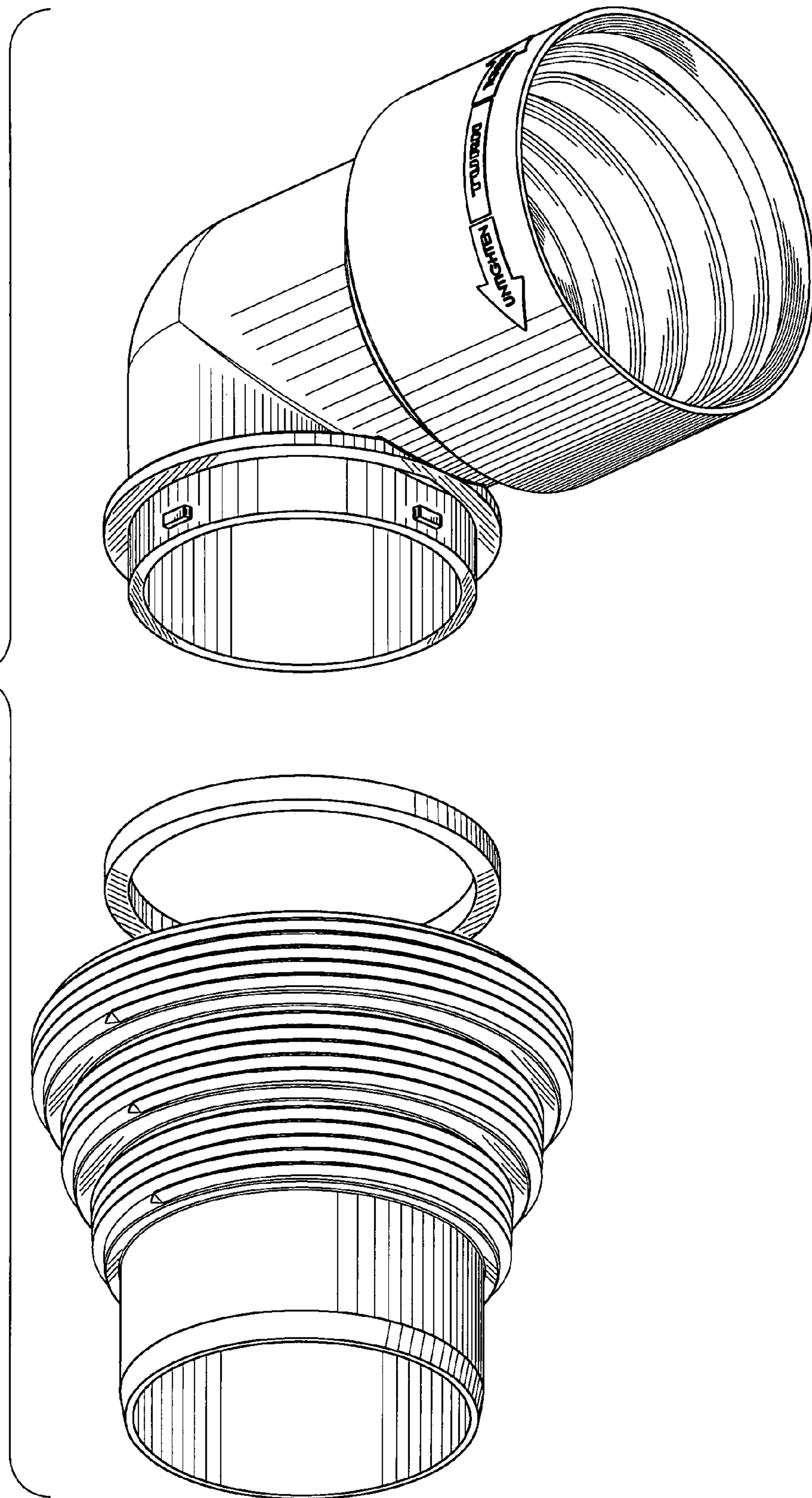
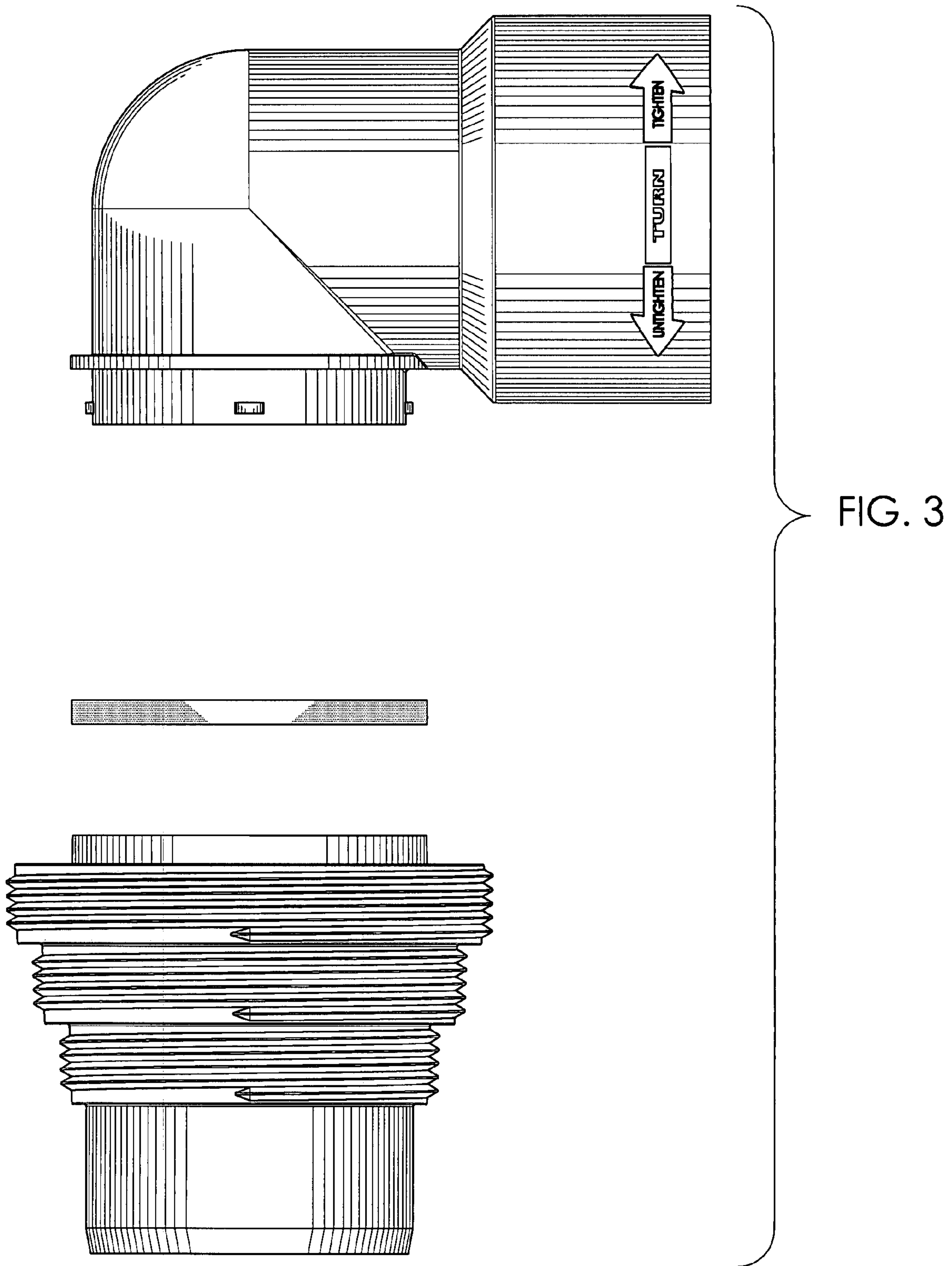




FIG. 2





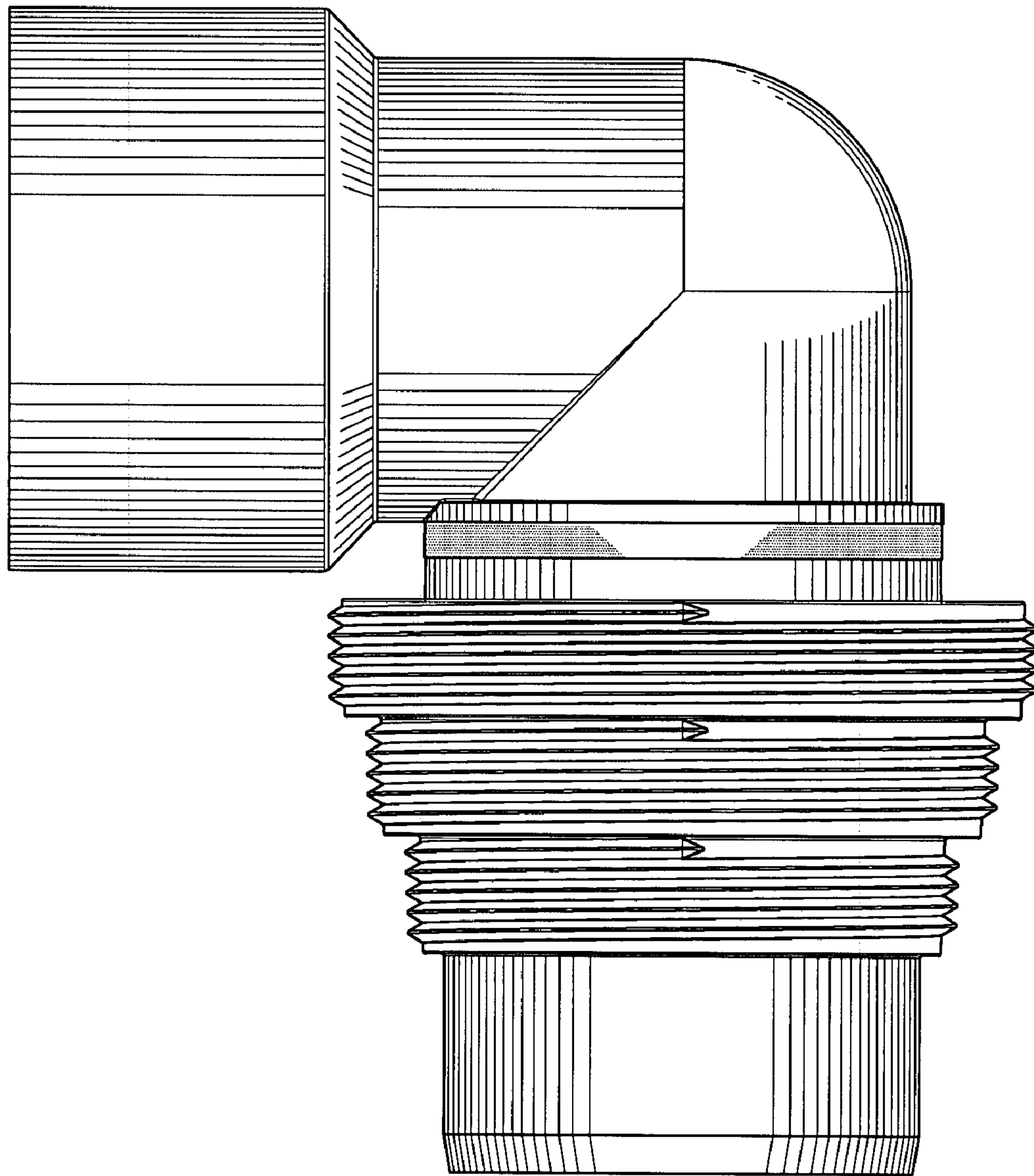


FIG. 4

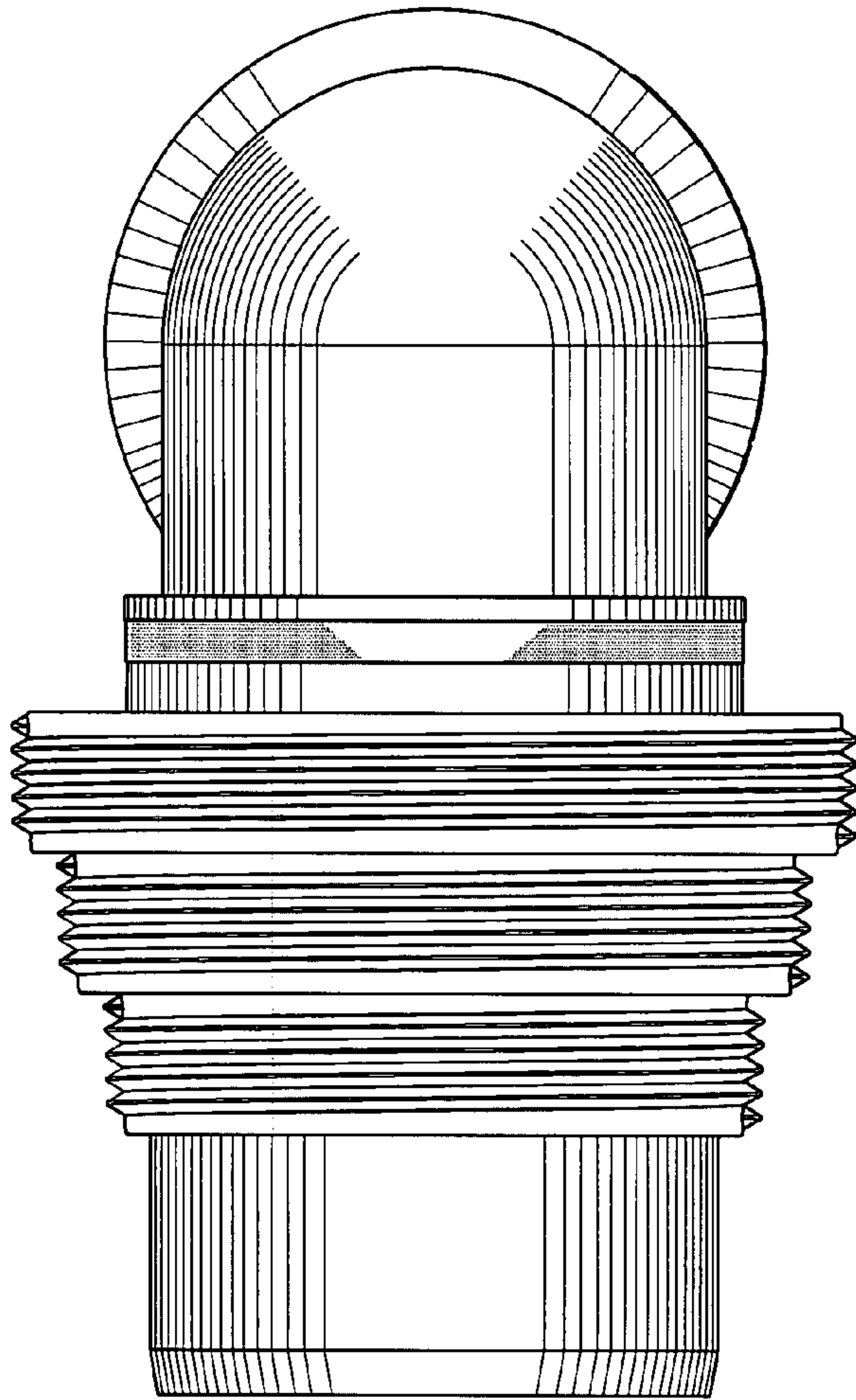


FIG. 5

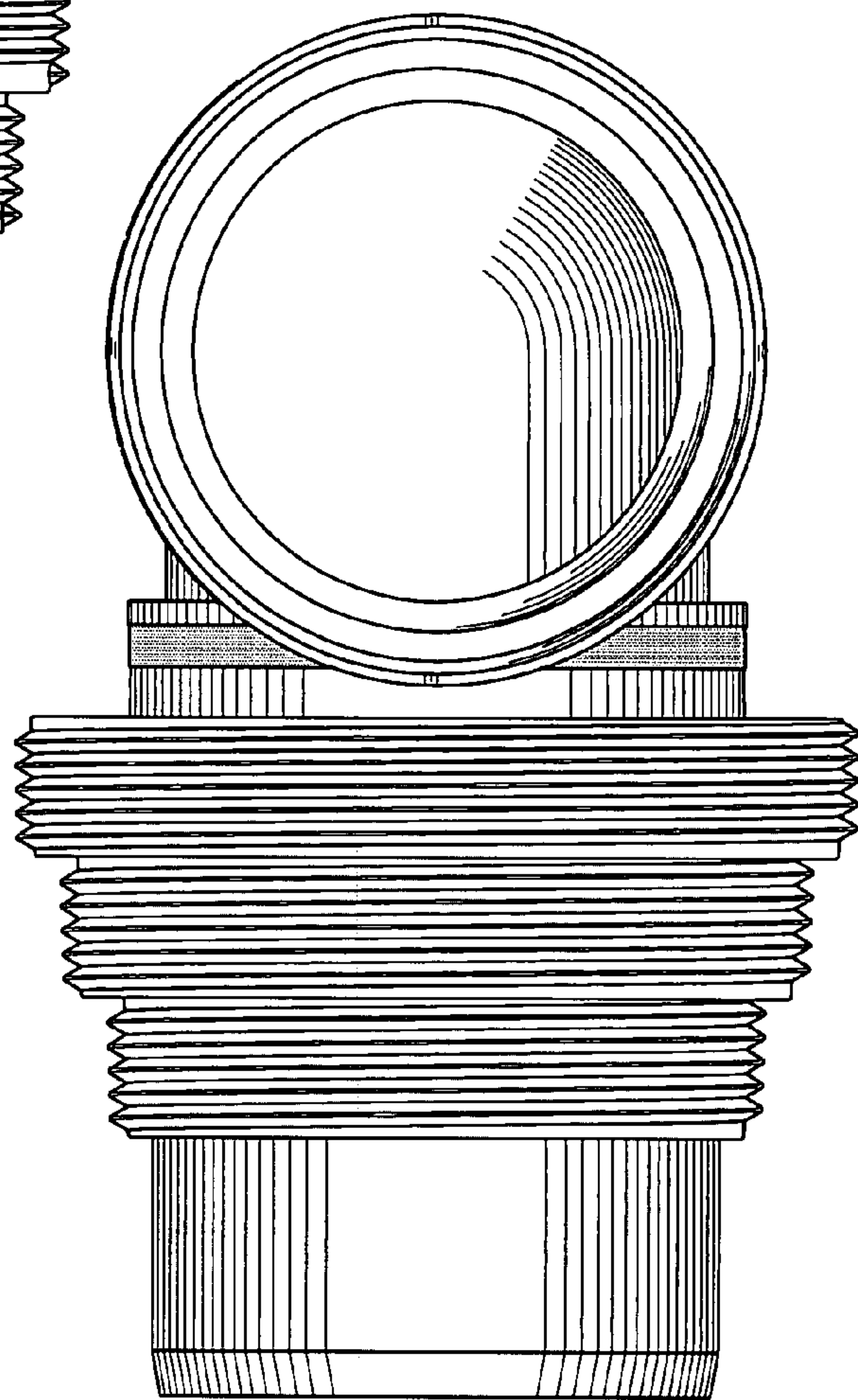


FIG. 6



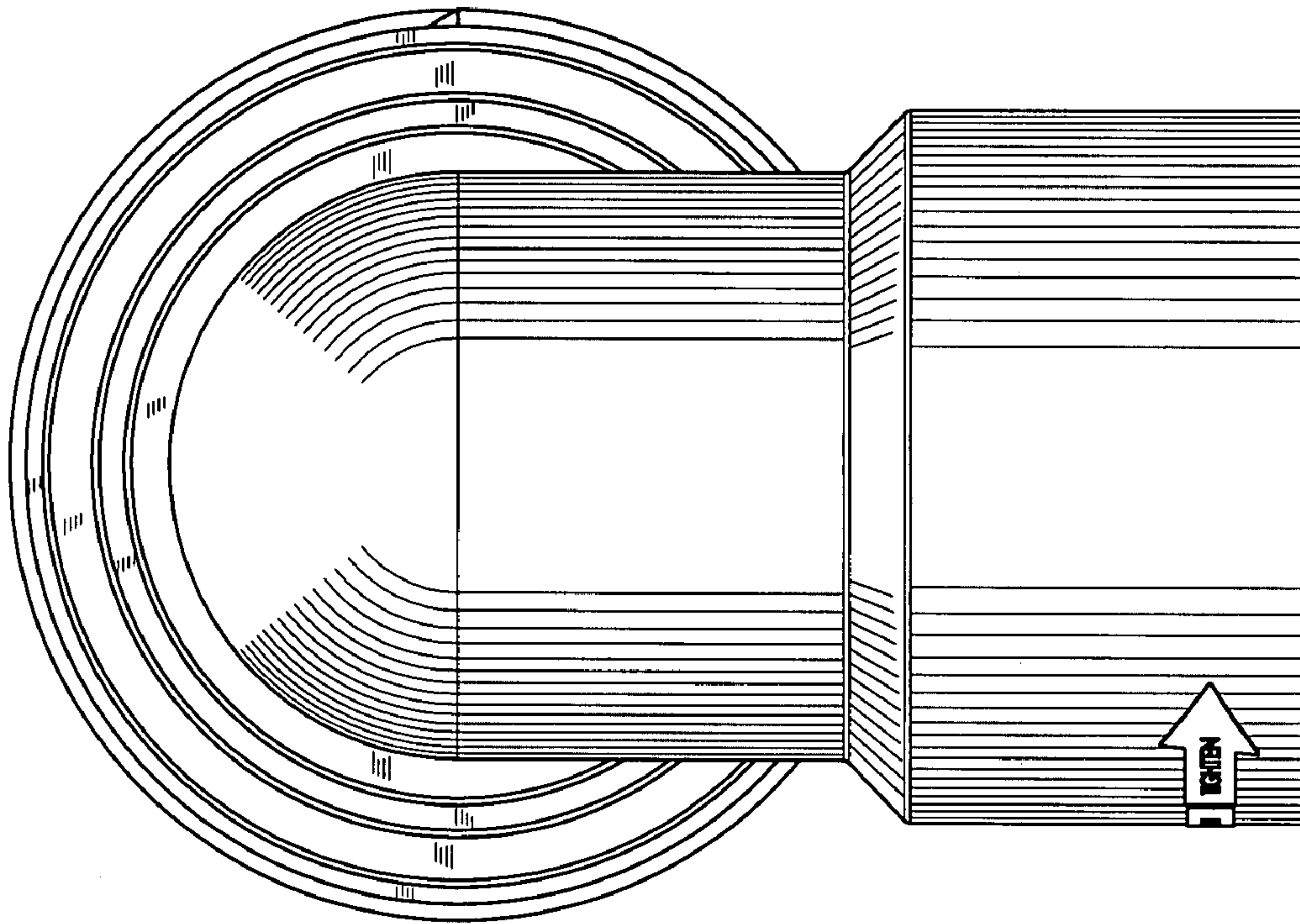


FIG. 7

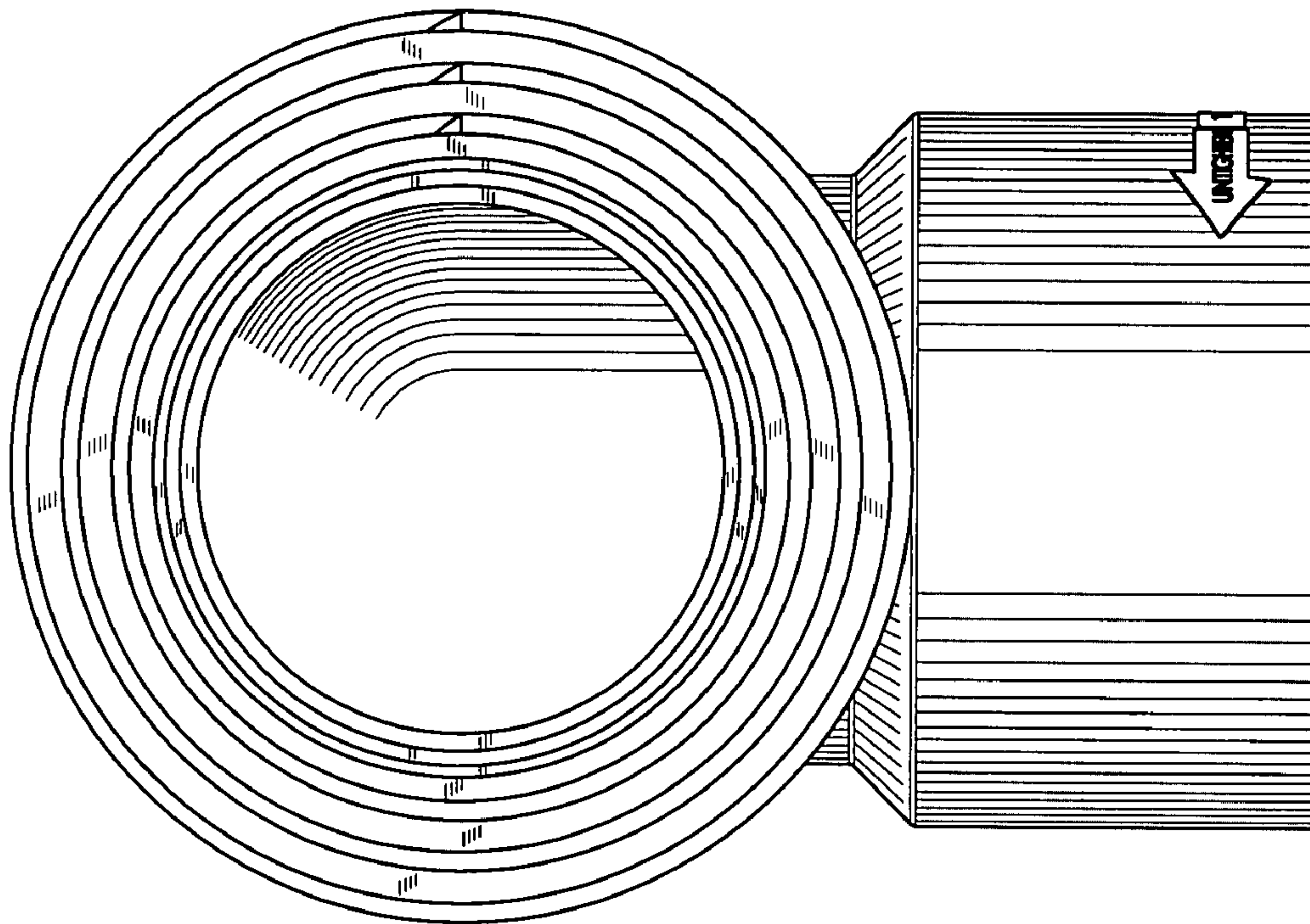


FIG. 8